

## Data sheet:

### AC-Load break switch Model S5000 – 1250A



#### Electrical data (according to IEC 60947-3)

**Thermal current I<sub>th</sub> (40 °C) 1250A**

Rated insulation voltage U<sub>i</sub> (V) 1000  
Rated impulse withstand voltage U<sub>imp</sub> (kV) 12

#### AC Rated operational current I<sub>e</sub> (A)

Voltage (C)	Category of operation	I <sub>e</sub>
400 V	AC21A	1250
	AC22A	1250
500 V	AC21A	1250
	AC22A	1250

Rated breaking capacity. 400V,  
cos phi=0,35-0,45 6400  
Rated making capacity. 400V, cos phi=0,45 8000

*\*\* Please consult for other voltages and/or category of operation*

#### Short-circuit behaviour

Short-circuit making capacity (peak value) I<sub>cm</sub> 60kA  
Short-time withstand current (1 sec) (rms) I<sub>cw</sub> 25kA

#### Connection capacity

Min. Cooper bar (mm<sup>2</sup>) 2\*60\*5  
Max. Cu-cable (mm<sup>2</sup>) 4\*240  
Min. Tightening torque (Nm) 45

#### Mechanical data

Minimum number of operations (as per standard) without load 10000  
Maximum weight (4 pole molded case) (kg) 8

Standards. IEC 60947-1 & 3

Quality Telergon, S.A.U.

ISO 9001 & 14001



Management System  
ISO 9001:2008  
ISO 14001:2004  
www.tuv.com  
ID 9105053481

Testing as per IEC 60947-3. Approvals

Austrian Institute of Technology



#### Codes

Case size (A)	Poles	Code	Code for direct handle
Size 3	3P	S5-12503RS0	DS-LI31

#### Accessories

Panel handle	DS-LA31 DOUBLE ARM	DS-LA34 SINGLE ARM (OPTIONAL)
Auxiliary contact	D5LAU01	

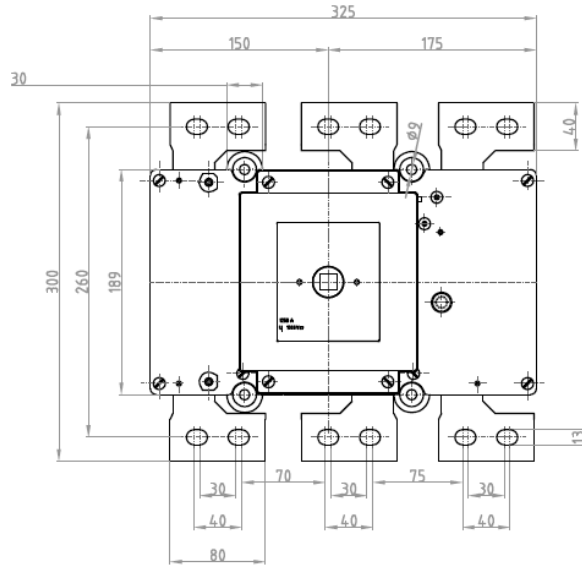
You will find detailed information about our products on our web site [www.telergon.es](http://www.telergon.es)



**AC Switch-Disconnecter  
S5-12503RS0**

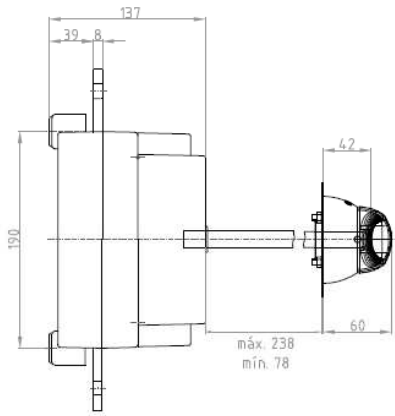
TELERGON, S.A.U.  
Data subject to change without  
notice (printed: 29/07/2013)

# Dimensions

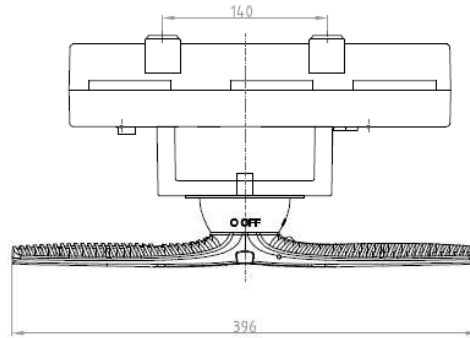


SIDE VIEW DS-LA31

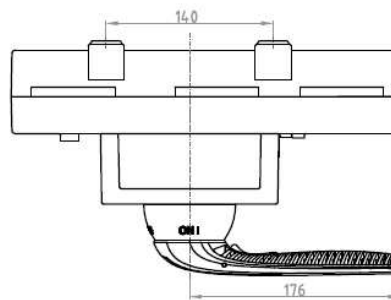
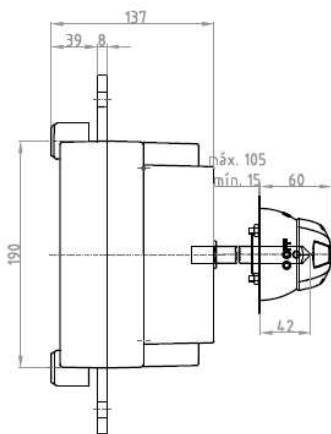
TOP VIEW DS-LA31



SIDE VIEW DS-LA34



TOP VIEW DS-LA34



S5000	lth	ØT	M	S max. (Cu) mm <sup>2</sup>	H max. (Cu) mm	L max. (Cu) mm
3	1250A	M12	45	4x240	2*7	80

You will find detailed information about our products on our web site [www.telergon.es](http://www.telergon.es)



**AC Switch-Disconnecter**  
**S5-12503RS0**

TELERGON, S.A.U.  
Data subject to change without  
notice (printed: 29/07/2013)