

Data sheet:

AC-Load break switch Model S5000 – 125A

telergon
g o r l a n t e a m



Electrical data (according to IEC 60947-3)

Thermal current I_{th} (-30 to 50 °C) 125A

Rated insulation voltage U_i (V) 1000
Rated impulse withstand voltage U_{imp} (kV) 8

AC Rated operational current I_e (A)

Voltage (C)	Category of operation	I _e
400 V	AC21A	125
	AC22A	125
500 V	AC21A	125
	AC22A	125

*** Please consult for other voltages and/or category of operation*

Standards. IEC 60947-1 & 3

Quality Telergon, S.A.U.

ISO 9001 & 14001



Testing as per IEC 60947-3. Approvals

Austrian Institute of
Technology



Short-circuit behaviour

Short-circuit making capacity (peak value) I _{cm}	13kA
Short-time withstand current (1 sec) (rms) I _{cw}	7kA
Conditional short-circuit current (rms value)	100kA
Maximum cut-off current (peak value)	17kA

Connection capacity

Bar (Thickness / Width) (mm)	5/25
Rigid cable (mm ²)	95
Max. Connecting copper bar (mm)	25
Tightening torque (N·m)	4/13

Mechanical data

Minimum number of operations (as per standard) without load	30000
Maximum weight (4 pole molded case) (kg)	0,85/1

Codes

Case size (A)	Poles	Code	Code for direct handle
Size 0	3P	S5-01253PS0	DS-SI01
Size 0	4P (3P+N)	S5-01253NS0	DS-SI01

Accessories

Panel handle	DS-SA01
Protective plate	DS-CU01
Auxiliary contact	D5LAU01

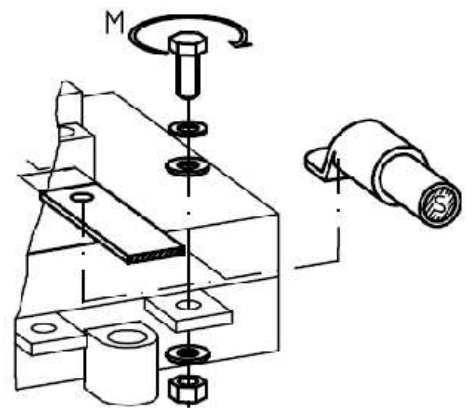
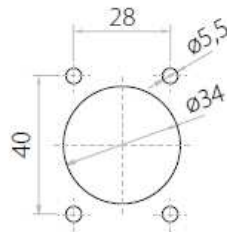
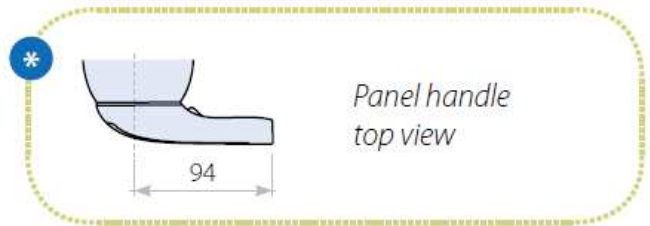
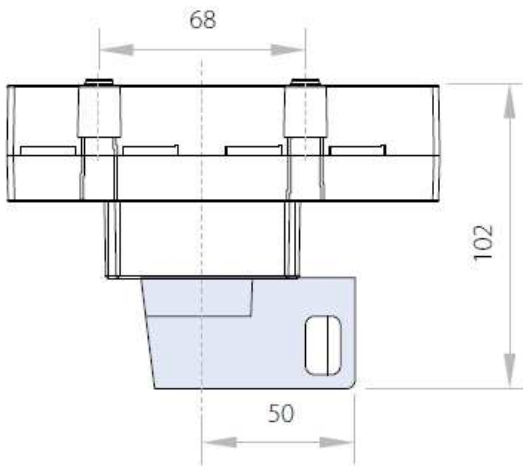
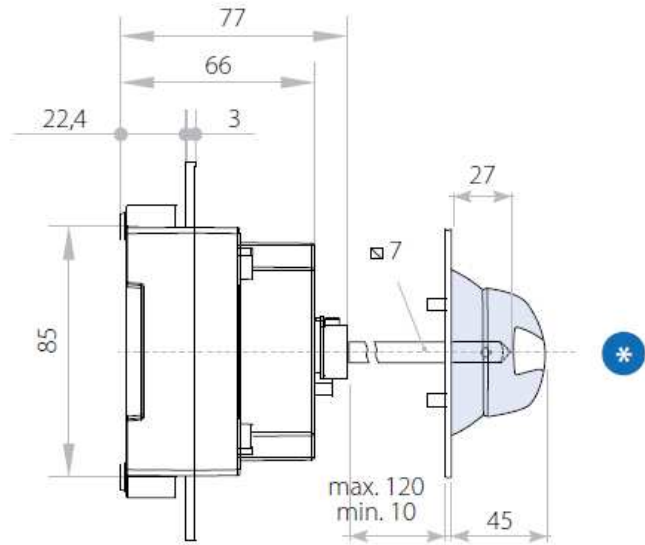
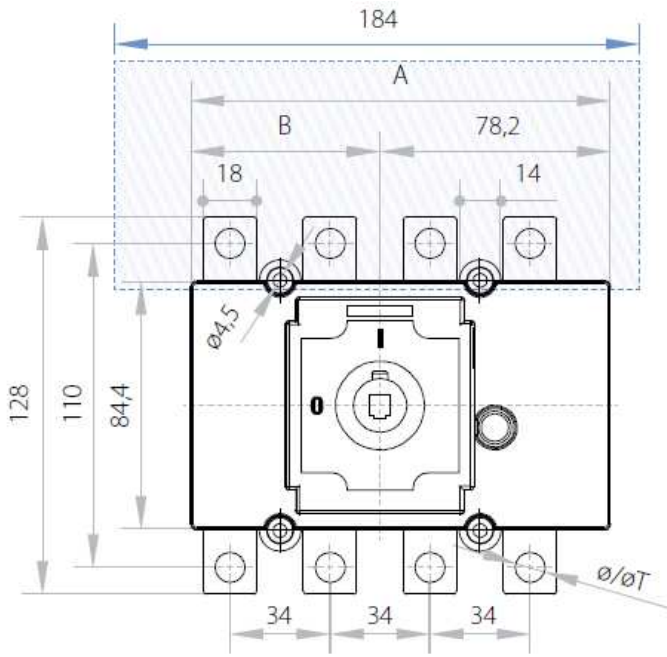
You will find detailed information about our products on our web site www.telergon.es

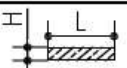


AC Switch-Disconnecter
S5-01253PS0
S5-01253NS0

TELERGON, S.A.U.
Data subject to change without
notice (printed: 15/01/2014)

Dimensions



S5000	I_{th}	A		B		ϕT	M N×m	S max. (Cu)mm ²		
		3P	4P	3P	4P				H max. (Cu)mm	L max. (Cu)mm
0	125A	131	142	53	64	M8	13	95	5	25

You will find detailed information about our products on our web site www.telergon.es



AC Switch-Disconnecter
S5-01253PS0
S5-01253NS0

TELERGON, S.A.U.
 Data subject to change without
 notice (printed: 15/01/2014)