

## Data sheet:

### AC-Load break switch Model S5000 – 160A

**telergon**  
g o r l a n t e a m



\*\* Photo sample. Similar size and design, but different rating.

#### Standards. IEC 60947-1 & 3

#### Quality Telergon, S.A.U.

ISO 9001 & 14001



#### Testing as per IEC 60947-3. Approvals

Austrian Institute of  
Technology



#### Electrical data (according to IEC 60947-3)

**Thermal current I<sub>th</sub> (-30 to 50 °C) 160A**

Rated insulation voltage U<sub>i</sub> (V) 1000  
Rated impulse withstand voltage U<sub>imp</sub> (kV) 8

#### AC Rated operational current I<sub>e</sub> (A)

| Voltage (C) | Category of operation | I <sub>e</sub> |
|-------------|-----------------------|----------------|
| 400 V       | AC21A                 | 160            |
|             | AC22A                 | 160            |
| 500 V       | AC21A                 | 160            |
|             | AC22A                 | 160            |

\*\* Please consult for other voltages and/or category of operation

#### Short-circuit behaviour

|                                                            |       |
|------------------------------------------------------------|-------|
| Short-circuit making capacity (peak value) I <sub>cm</sub> | 13kA  |
| Short-time withstand current (1 sec) (rms) I <sub>cw</sub> | 7kA   |
| Conditional short-circuit current (rms value)              | 100kA |
| Maximum cut-off current (peak value)                       | 20kA  |

#### Connection capacity

|                                 |     |
|---------------------------------|-----|
| Bar (Thickness / Width) (mm)    | N/A |
| Rigid cable (mm <sup>2</sup> )  | 95  |
| Max. Connecting copper bar (mm) | N/A |
| Tightening torque (N·m)         | 4   |

#### Mechanical data

|                                                             |        |
|-------------------------------------------------------------|--------|
| Minimum number of operations (as per standard) without load | 30000  |
| Maximum weight (4 pole molded case) (kg)                    | 0,85/1 |

#### Codes

| Case size (A) | Poles     | Code        | Code for direct handle |
|---------------|-----------|-------------|------------------------|
| Size 0        | 3P        | S5-01603PB0 | DS-SI01                |
| Size 0        | 4P (3P+N) | S5-01603NB0 | DS-SI01                |

#### Accessories

|                   |         |
|-------------------|---------|
| Panel handle      | DS-SA01 |
| Auxiliary contact | D5LAU01 |

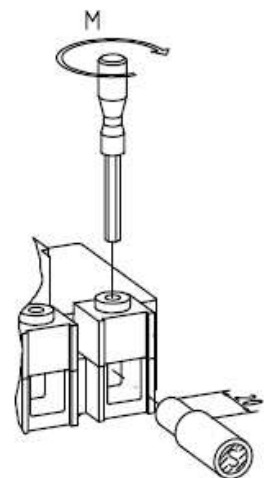
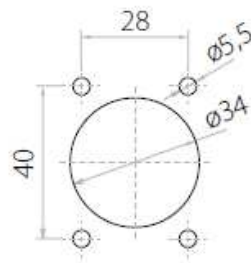
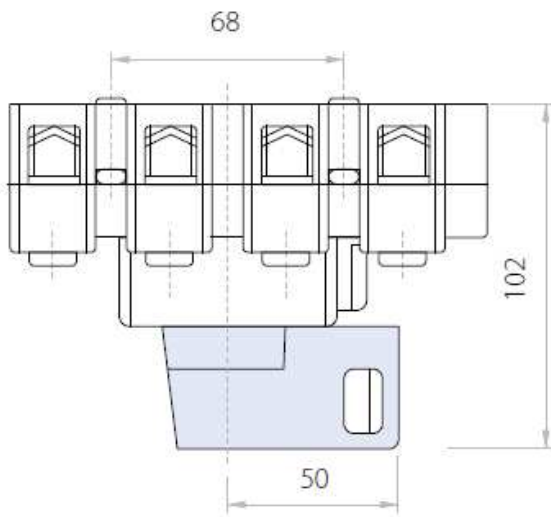
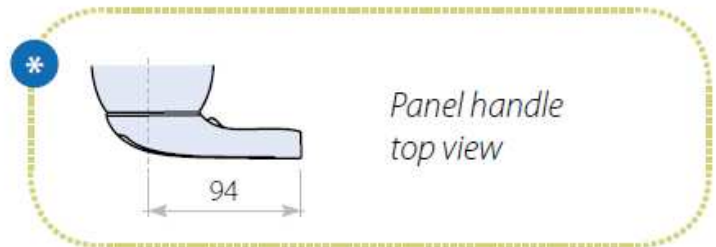
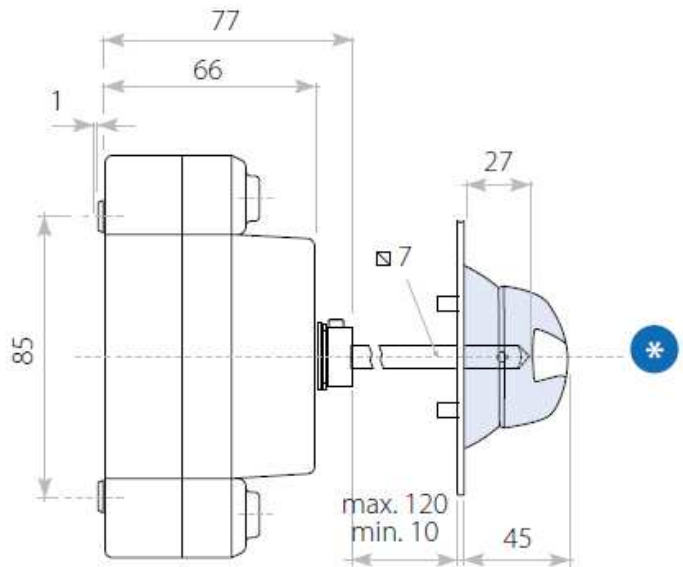
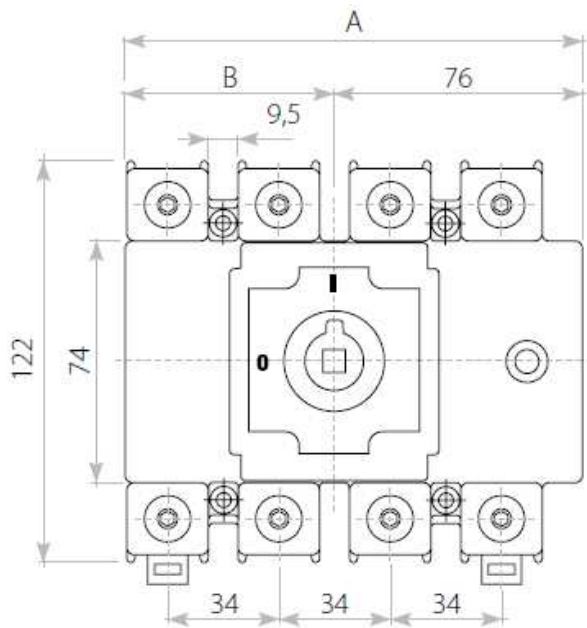
You will find detailed information about our products on our web site [www.telergon.es](http://www.telergon.es)



**AC Switch-Disconnecter**  
**S5-01603PB0**  
**S5-01603NB0**

TELERGON, S.A.U.  
Data subject to change without  
notice (printed: 18/07/2013)

# Dimensions



| S5000 | I <sub>th</sub> | A   |     | B  |    | M<br>N×m | S max.<br>(Cu) mm <sup>2</sup> |
|-------|-----------------|-----|-----|----|----|----------|--------------------------------|
|       |                 | 3P  | 4P  | 3P | 4P |          |                                |
| 0     | 160A            | 129 | 140 | 53 | 64 | 4        | 95                             |

You will find detailed information about our products on our web site [www.telergon.es](http://www.telergon.es)



**AC Switch-Disconnecter**  
**S5-01603PB0**  
**S5-01603NB0**

TELERGON, S.A.U.  
 Data subject to change without  
 notice (printed: 18/07/2013)