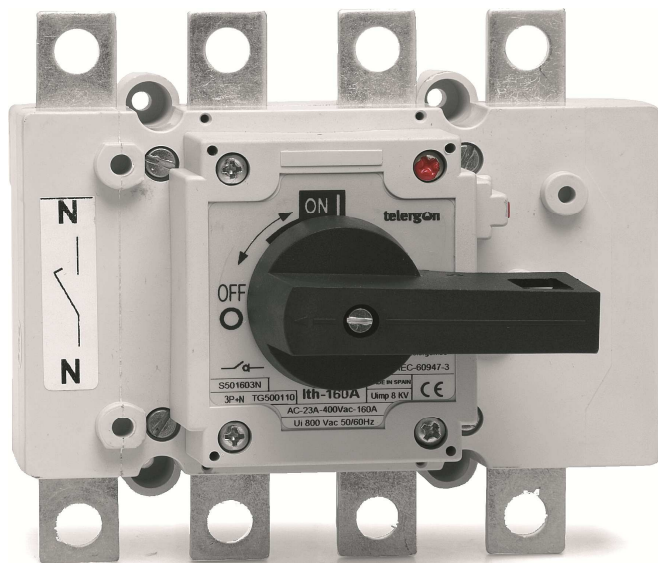


Data sheet:

AC-Load break switch Model S5000 – 160A

telergon
g o r l a n t e a m



Electrical data (according to IEC 60947-3)

Thermal current I_{th} (-30 to 50 °C) 160A

Rated insulation voltage U_i (V) 1000
Rated impulse withstand voltage U_{imp} (kV) 8

AC Rated operational current I_e (A)

Voltage (C)	Category of operation	I _e
400 V	AC21A	160
	AC22A	160
500 V	AC21A	160
	AC22A	160

*** Please consult for other voltages and/or category of operation*

Standards. IEC 60947-1 & 3

Quality Telergon, S.A.U.

ISO 9001 & 14001



Management System
ISO 9001:2008
ISO 14001:2004

www.tuv.com
ID 9105053481

Short-circuit behaviour

Short-circuit making capacity (peak value) I _{cm}	13kA
Short-time withstand current (1 sec) (rms) I _{cw}	7kA
Conditional short-circuit current (rms value)	100kA
Maximum cut-off current (peak value)	20kA

Connection capacity

Bar (Thickness / Width) (mm)	5/25
Rigid cable (mm ²)	95
Max. Connecting copper bar (mm)	25
Tightening torque (N·m)	4/13

Testing as per IEC 60947-3. Approvals

Austrian Institute of
Technology



Mechanical data

Minimum number of operations (as per standard) without load	30000
Maximum weight (4 pole molded case) (kg)	0,85/1

Codes

Case size (A)	Poles	Code	Code for direct handle
Size 0	3P	S5-01603PS0	DS-EI01 / DS-SI01 (new)
Size 0	4P (3P+N)	S5-01603NS0	DS-EI01 / DS-SI01 (new)

Accessories

Panel handle	DS-EN01	DS-SA01 (new)
Protective plate	DS-CU01	
Auxiliary contact	D5LAU01	

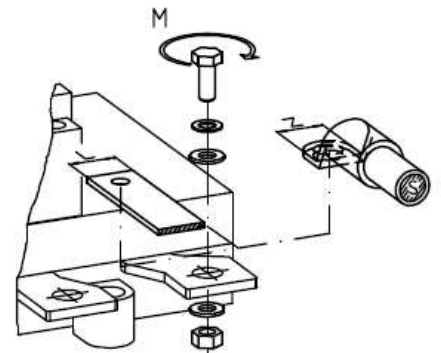
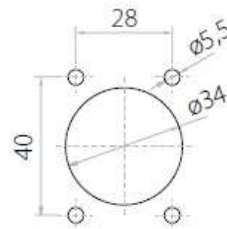
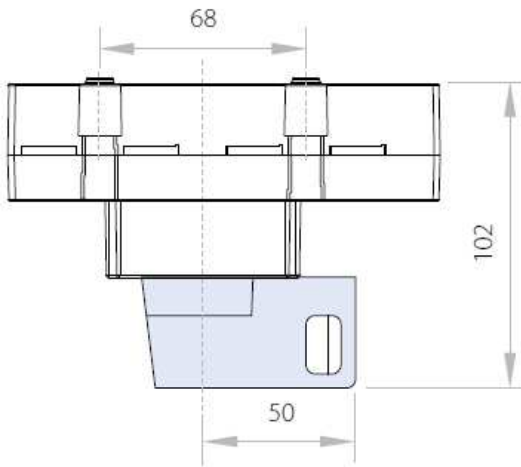
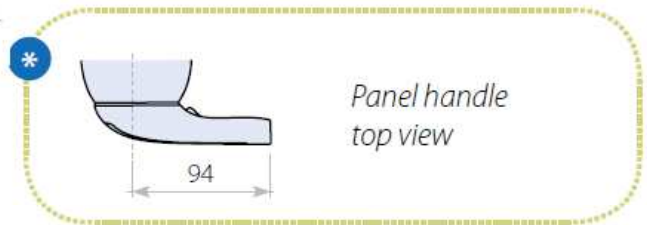
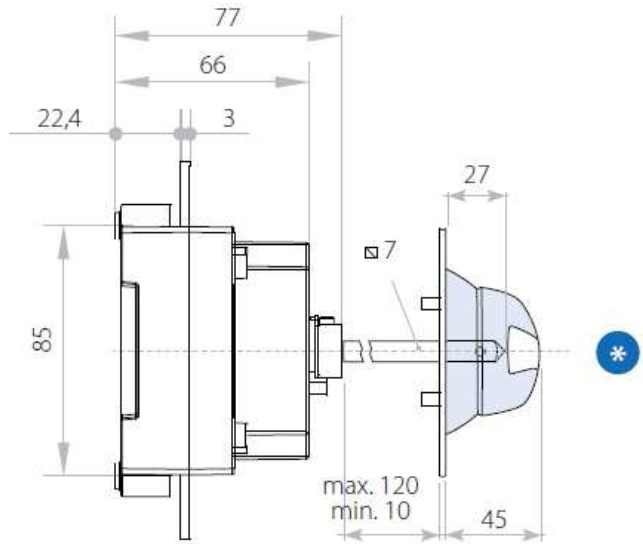
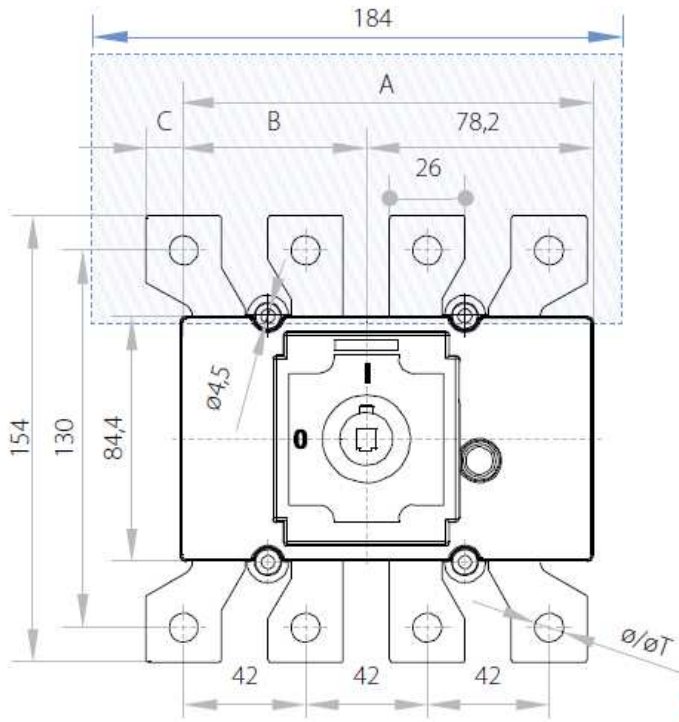
You will find detailed information about our products on our web site www.telergon.es



AC Switch-Disconnecter
S5-01603PS0
S5-01603NS0

TELERGON, S.A.U.
Data subject to change without
notice (printed: 21/11/2013)

Dimensions



S5000	I_{th}	A		B		C		ϕT	M N×m	S max. (Cu) mm ²	Z max.	H max. (Cu) mm		L max. (Cu) mm	
		3P	4P	3P	4P	3P	4P					H max.	L max.		
0	160A	131	142	53	64	-	11,8	M10	18	120	30	5	30		

You will find detailed information about our products on our web site www.telergon.es



AC Switch-Disconnecter
S5-01603PS0
S5-01603NS0

TELERGON, S.A.U.
 Data subject to change without
 notice (printed: 21/11/2013)