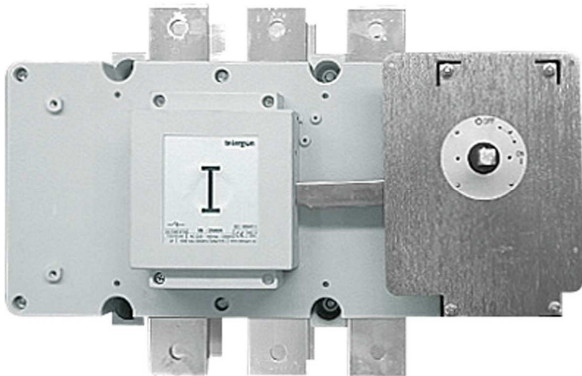


## Data sheet:

### AC-Load break switch Model S5000 – 2500A



Standards. IEC 60947-1 & 3

Quality Telergon, S.A.U.

ISO 9001 & 14001



Testing as per IEC 60947-3. Approvals

IPH Berlin



### Electrical data (according to IEC 60947-3)

Thermal current I<sub>th</sub> (-30 to 50 °C) **2500A**

Rated insulation voltage U<sub>i</sub> (V) 1000

Rated impulse withstand voltage U<sub>imp</sub> (kV) 8

### AC Rated operational current I<sub>e</sub> (A)

Voltage (C)	Category of operation	I <sub>e</sub>
400 V	AC21A	2500
	AC22A	2500
500 V	AC21A	2500
	AC22A	2200

\*\* Please consult for other voltages and/or category of operation

### Short-circuit behaviour

Short-circuit making capacity (peak value) I<sub>cm</sub> 100kA

Short-time withstand current (1 sec) (rms) I<sub>cw</sub> 50kA

Conditional short-circuit current (rms value)

Maximum cut-off current (peak value)

### Connection capacity

Bar (Thickness / Width) (mm) 2x10/80

Rigid cable (mm<sup>2</sup>) 2000

Max. Connecting copper bar (mm) 80

Tightening torque (N·m) 80

### Mechanical data

Minimum number of operations (as per standard) without load 2500

Maximum weight (4 pole molded case) (kg) 50/58

### Codes

Case size (A)	Poles	Code	Code for direct handle
Size 5	3P	S5-25003PS0	DS-LI41
Size 5	4P (3P+N)	S5-25003NS0	DS-LI41

### Accessories

Panel handle	DS-LA41
Auxiliary contact	DS-AU11

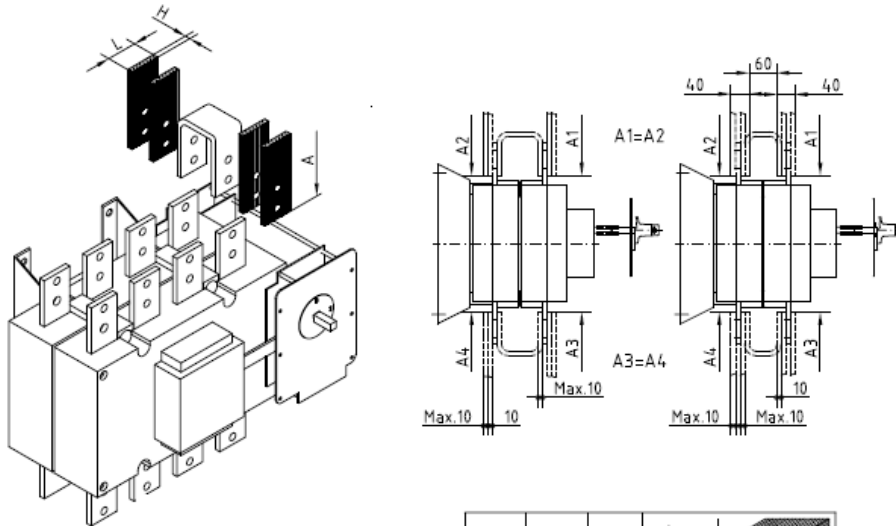
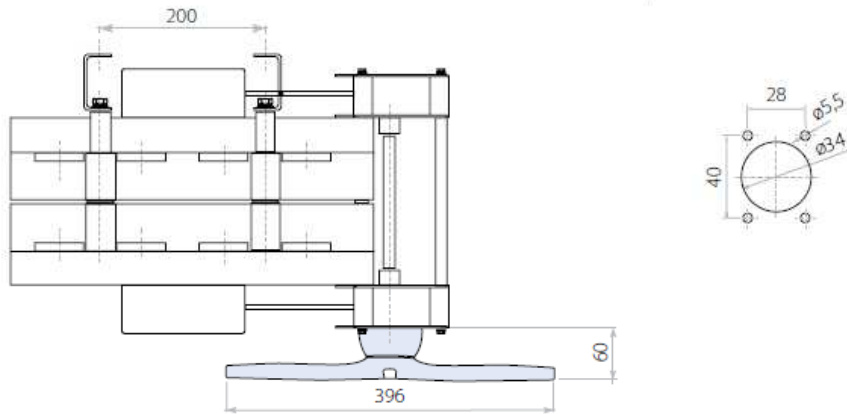
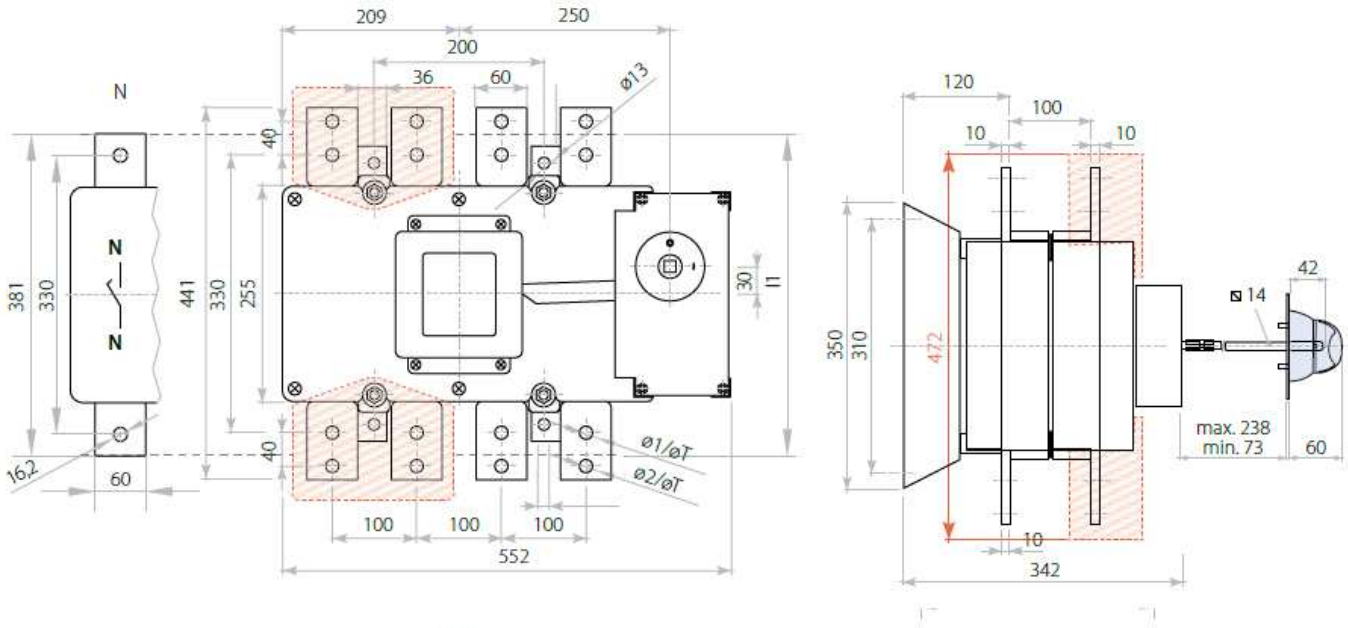
You will find detailed information about our products on our web site [www.telergon.es](http://www.telergon.es)



AC Switch-Disconnecter  
S5-25003PS0  
S5-25003NS0

TELERGON, S.A.U.  
Data subject to change without  
notice (printed: 21/01/2014)

# Dimensions



S	I	X	T	S min. (Cu)mm <sup>2</sup>	M	H max. (Cu)mm	L max. (Cu)mm		
S5000	Ith	I	X	T	S min. (Cu)mm <sup>2</sup>	M	N x m	H max. (Cu)mm	L max. (Cu)mm
5	2500A	381	-	16,2	2000	M16	80	2X10	80

You will find detailed information about our products on our web site [www.telergon.es](http://www.telergon.es)



**AC Switch-Disconnecter**  
**S5-25003PS0**  
**S5-25003NS0**

TELERGON, S.A.U.  
 Data subject to change without  
 notice (printed: 21/01/2014)