

Data sheet:

AC-Load break switch Model S5000 – 250A



Electrical data (according to IEC 60947-3)

Thermal current I_{th} (-30 to 50 °C) 250A

Rated insulation voltage U_i (V) 1000
Rated impulse withstand voltage U_{imp} (kV) 8

AC Rated operational current I_e (A)

Voltage (C)	Category of operation	I _e
400 V	AC22A	250
	AC23A	250
500 V	AC22A	250
	AC23A	250

*** Please consult for other voltages and/or category of operation*

Standards. IEC 60947-1 & 3

Quality Telergon, S.A.U.

ISO 9001 & 14001



Management System
ISO 9001:2008
ISO 14001:2004
www.tuv.com
ID 9105053481

Short-circuit behaviour

Short-circuit making capacity (peak value) I _{cm}	20kA
Short-time withstand current (1 sec) (rms) I _{cw}	12kA
Conditional short-circuit current (rms value)	100kA
Maximum cut-off current (peak value)	33kA

Connection capacity

Bar (Thickness / Width) (mm)	7/25
Rigid cable (mm ²)	185
Max. Connecting copper bar (mm)	25
Tightening torque (N·m)	18

Testing as per IEC 60947-3. Approvals

Austrian Institute of Technology



Mechanical data

Minimum number of operations (as per standard) without load	20000
Maximum weight (4 pole molded case) (kg)	1,7/1,9

Codes

Case size (A)	Poles	Code	Code for direct handle
Size 1	3P	S5-02503PR0	DS-SI11
Size 1	4P (3P+N)	S5-02503NR0	DS-SI11

Accessories

Panel handle	DS-SA11	DS-SA11
Protective plate	DS-CU12	
Auxiliary contact	D5LAU01	

You will find detailed information about our products on our web site www.telergon.es



AC Switch-Disconnecter
S5-02503PR0
S5-02503NR0

TELERGON, S.A.U.
Data subject to change without notice (printed: 22/01/2014)

You will find detailed information about our products on our web site www.telergon.es



AC Switch-Disconnecter
S5-02503PR0
S5-02503NR0

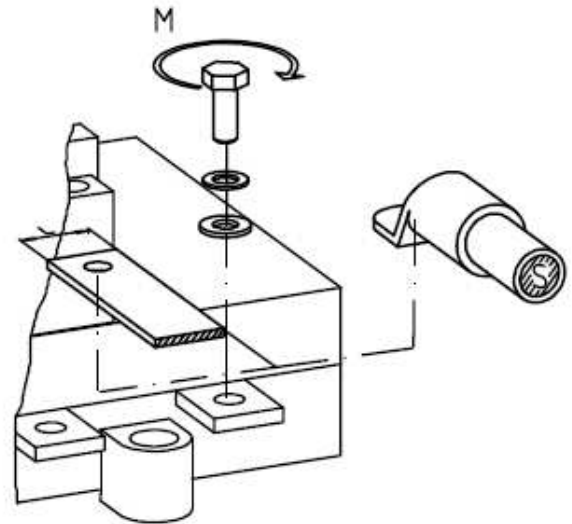
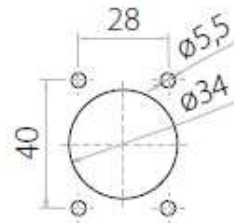
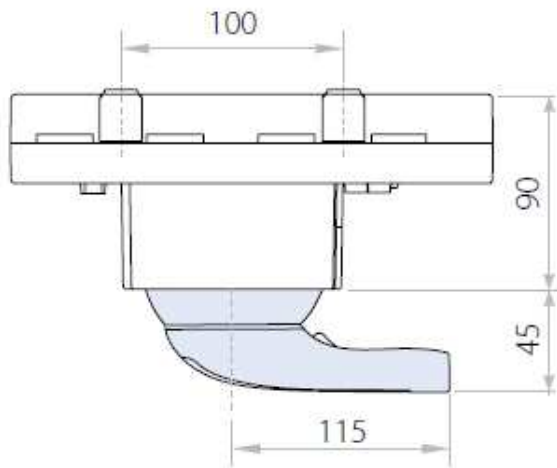
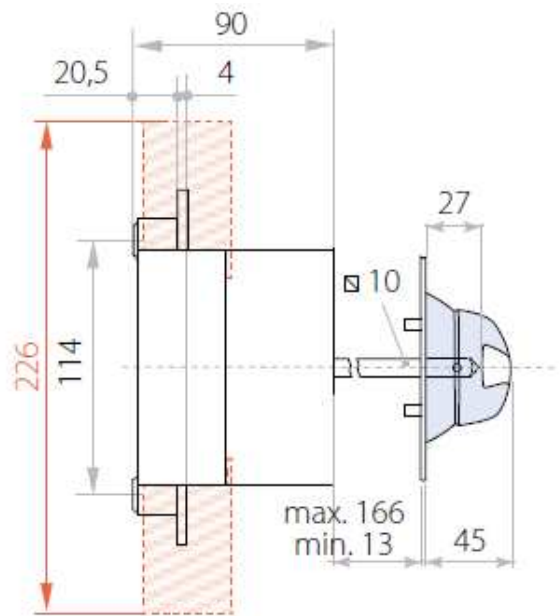
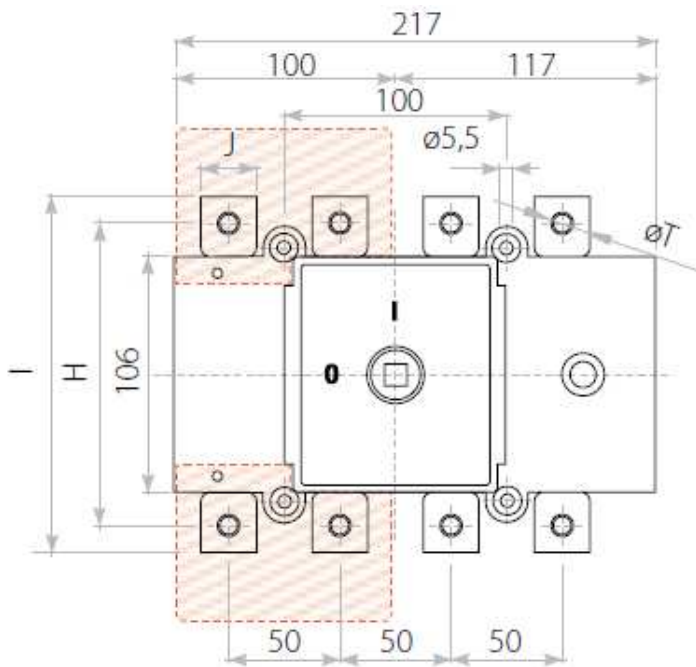
TELERGON, S.A.U.
Data subject to change without
notice (printed: 22/01/2014)

You will find detailed information about our products on our web site www.telergon.es



AC Switch-Disconnecter
S5-02503PR0
S5-02503NR0

TELERGON, S.A.U.
Data subject to change without
notice (printed: 22/01/2014)



S5000	I_{th}	H	I	J	ϕT	M N x m	S max. (Cu) mm ²	H max. (Cu) mm	L max. (Cu) mm
1	250A	143	167	25	M10	18	185	7	25

You will find detailed information about our products on our web site www.telergon.es



AC Switch-Disconnecter
S5-02503PR0
S5-02503NR0

TELERGON, S.A.U.
 Data subject to change without
 notice (printed: 22/01/2014)