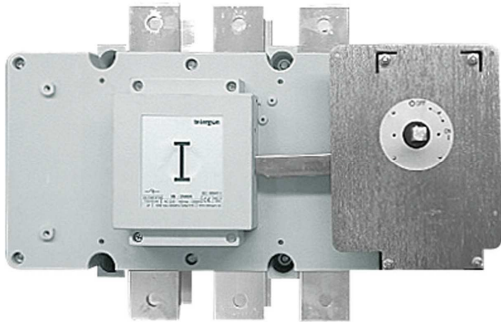


Data sheet:

AC-Load break switch Model S5000 – 3150A



Standards. IEC 60947-1 & 3

Quality Telergon, S.A.U.

ISO 9001 & 14001



Testing as per IEC 60947-3. Approvals

IPH Berlin



Electrical data (according to IEC 60947-3)

Thermal current I_{th} (-30 to 50 °C) 3150A

Rated insulation voltage U_i (V) 1000
Rated impulse withstand voltage U_{imp} (kV) 8

AC Rated operational current I_e (A)

Voltage (C)	Category of operation	I _e
400 V	AC21A	3150
	AC22A	3150
500 V	AC21A	3150
	AC22A	2500

*** Please consult for other voltages and/or category of operation*

Short-circuit behaviour

Short-circuit making capacity (peak value) I _{cm}	100kA
Short-time withstand current (1 sec) (rms) I _{cw}	50kA
Conditional short-circuit current (rms value)	
Maximum cut-off current (peak value)	

Connection capacity

Bar (Thickness / Width) (mm)	2x10/80
Rigid cable (mm ²)	3000
Max. Connecting copper bar (mm)	80
Tightening torque (N·m)	55

Mechanical data

Minimum number of operations (as per standard) without load	2500
Maximum weight (4 pole molded case) (kg)	50/58

Codes

Case size (A)	Poles	Code	Code for direct handle
Size 5	3P	S5-31503PS0	DS-LI41
Size 5	4P(3P+N)	S5-31503NS0	DS-LI41

Accessories

Panel handle	DS-LA41
Auxiliary contact	DS-AU11

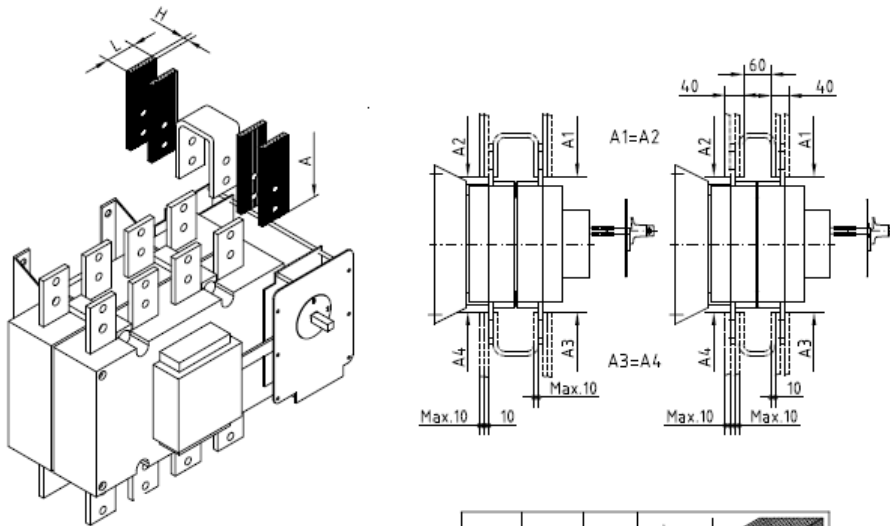
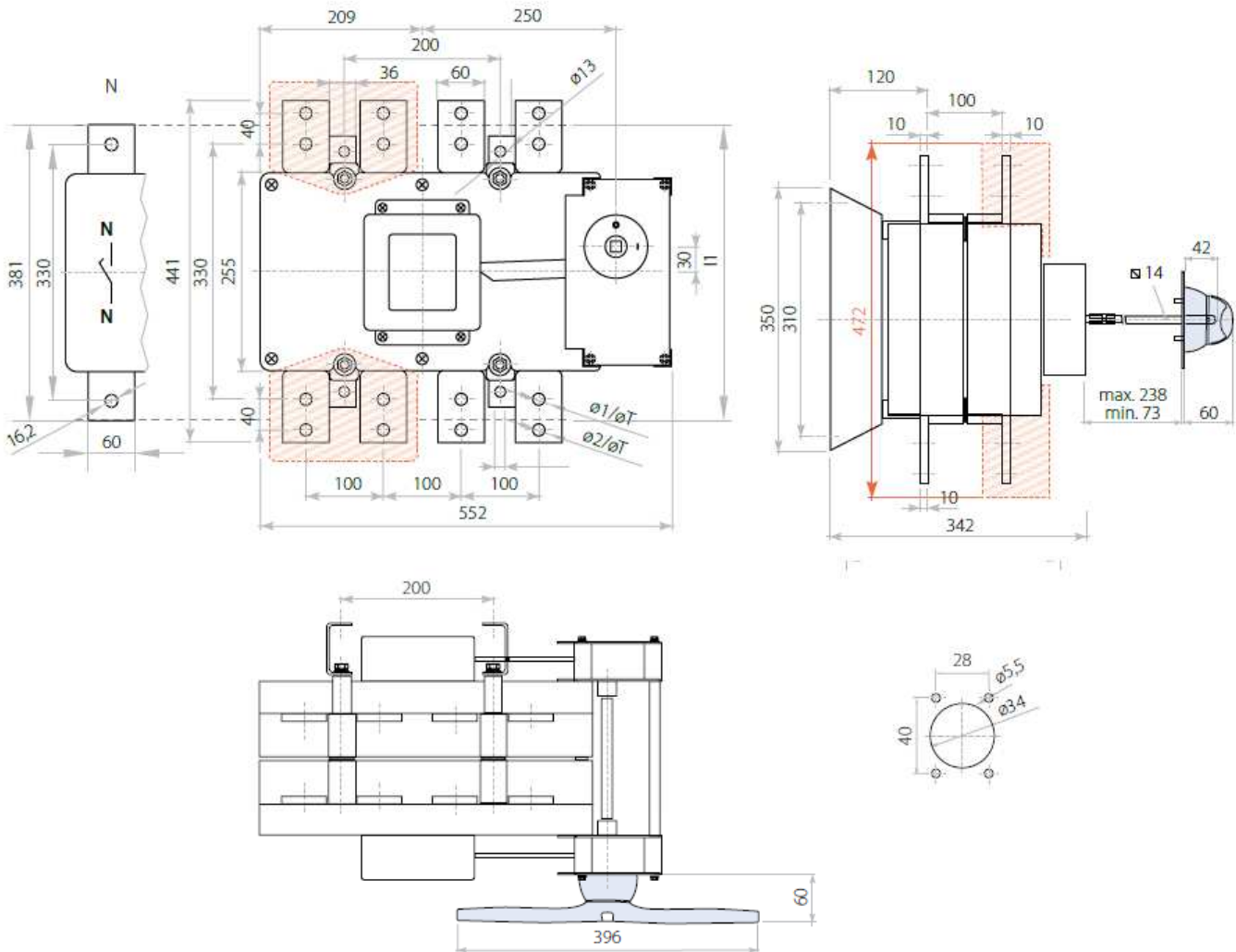
You will find detailed information about our products on our web site www.telergon.es



AC Switch-Disconnecter
S5-31503PS0
S5-31503NS0

TELERGON, S.A.U.
Data subject to change without
notice (printed: 21/01/2014)

Dimensions



S5000	Ith	I	X	T	S min. (Cu) mm ²	M N×m	H max. (Cu) mm	L max. (Cu) mm
5	3150A	381	-	16,2	2000	M16	2X10	80

You will find detailed information about our products on our web site www.telergon.es



AC Switch-Disconnecter
S5-31503PS0
S5-31503NS0

TELERGON, S.A.U.
 Data subject to change without
 notice (printed: 21/01/2014)