

## Data sheet:

### AC-Load break switch Model S5000 – 315A



#### Electrical data (according to IEC 60947-3)

Thermal current I<sub>th</sub> (-30 to 50 °C) **315A**

Rated insulation voltage U<sub>i</sub> (V) 1000  
Rated impulse withstand voltage U<sub>imp</sub> (kV) 8

AC Rated operational current I <sub>e</sub> (A)	Category of operation	I <sub>e</sub>
400 V	AC21A	315
	AC22A	315
500 V	AC21A	315
	AC22A	315

*\*\* Please consult for other voltages and/or category of operation*

Standards. IEC 60947-1 & 3

Quality Telergon, S.A.U.

ISO 9001 & 14001



#### Short-circuit behaviour

Short-circuit making capacity (peak value)	I <sub>cm</sub>	20kA
Short-time withstand current (1 sec) (rms)	I <sub>cw</sub>	12kA
Conditional short-circuit current (rms value)		100kA
Maximum cut-off current (peak value)		33kA

Testing as per IEC 60947-3. Approvals

Austrian Institute of  
Technology



#### Connection capacity

Bar (Thickness / Width) (mm)	7/25
Rigid cable (mm <sup>2</sup> )	185
Max. Connecting copper bar (mm)	25
Tightening torque (N·m)	18

#### Mechanical data

Minimum number of operations (as per standard) without load	20000
Maximum weight (4 pole molded case) (kg)	1,7/1,9

#### Codes

Case size (A)	Poles	Code	Code for direct handle
Size 1	3P	S5-03153PR0	DS-SI11
Size 1	4P (3P+N)	S5-03153NR0	DS-SI11

#### Accessories

Panel handle	DS-SA11
Protective plate	DS-CU12
Auxiliary contact	D5LAU01

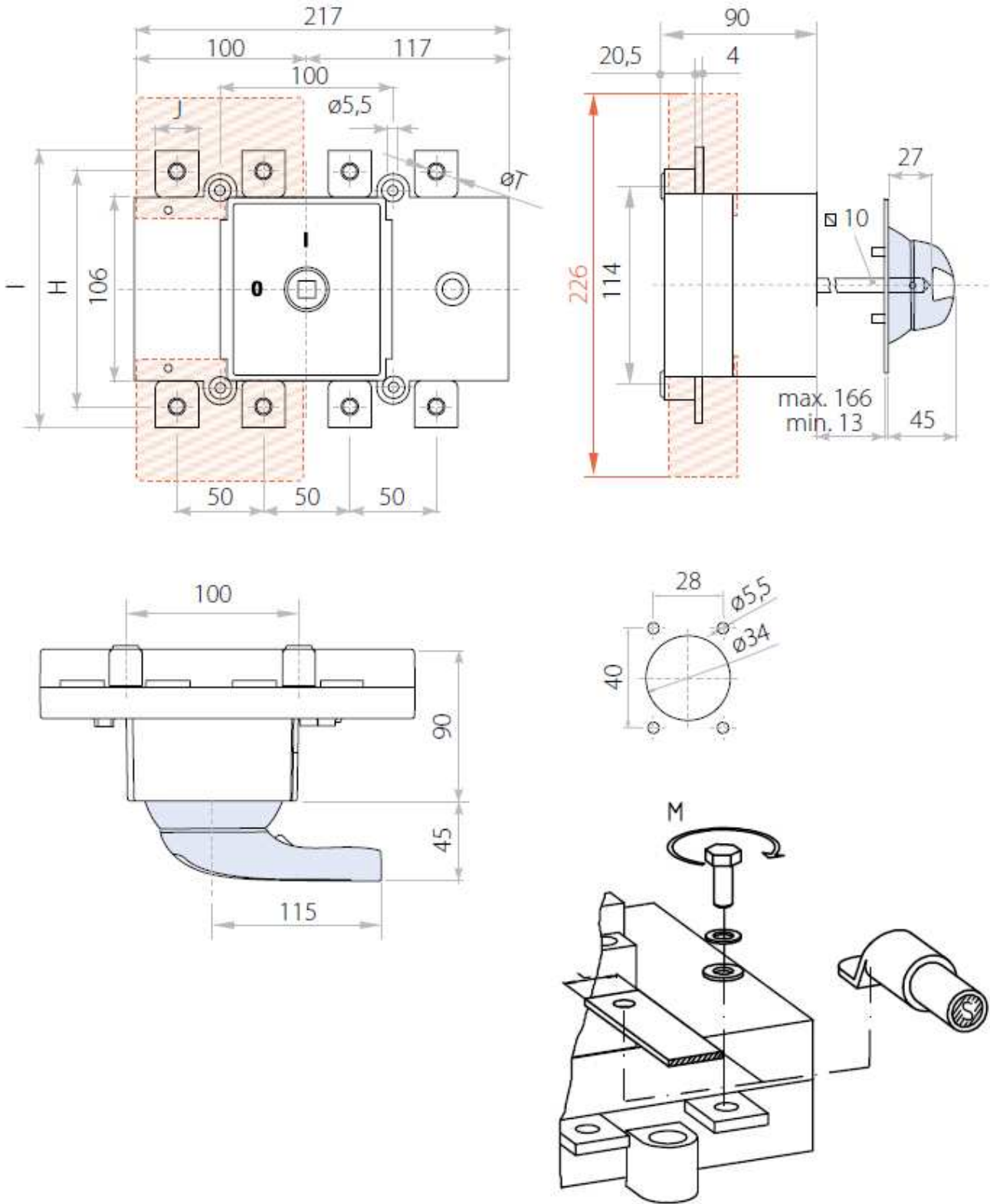
You will find detailed information about our products on our web site [www.telergon.es](http://www.telergon.es)

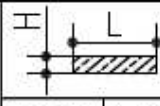


AC Switch-Disconnecter  
S5-03153PR0  
S5-03153NR0

TELERGON, S.A.U.  
Data subject to change without  
notice (printed: 26/02/2013)

# Dimensions



S5000	$l_{th}$	H	I	J	$\phi T$	M N x m	S max. (Cu) mm <sup>2</sup>		
								H max. (Cu) mm	L max. (Cu) mm
1	315A	143	167	25	M10	18	185	7	25

You will find detailed information about our products on our web site [www.telergon.es](http://www.telergon.es)



**AC Switch-Disconnecter**  
**S5-03153PR0**  
**S5-03153NR0**

TELERGON, S.A.U.  
 Data subject to change without  
 notice (printed: 26/02/2013)