

## Data sheet:

### AC-Load break switch Model S5000 – 630A



\*\* Photo sample. Similar size and design, but different rating

#### Standards. IEC 60947-1 & 3

#### Quality Telergon, S.A.U.

ISO 9001 & 14001



#### Testing as per IEC 60947-3. Approvals

Austrian Institute of  
Technology



#### Electrical data (according to IEC 60947-3)

**Thermal current I<sub>th</sub> (-30 to 50 °C) 630A**

Rated insulation voltage U<sub>i</sub> (V) 1000  
Rated impulse withstand voltage U<sub>imp</sub> (kV) 12

#### AC Rated operational current I<sub>e</sub> (A)

Voltage (C)	Category of operation	I <sub>e</sub>
400 V	AC21A	630
	AC22A	630
500 V	AC21A	630
	AC22A	630

\*\* Please consult for other voltages and/or category of operation

#### Short-circuit behaviour

Short-circuit making capacity (peak value) I <sub>cm</sub>	26kA
Short-time withstand current (1 sec) (rms) I <sub>cw</sub>	16kA
Conditional short-circuit current (rms value)	100kA
Maximum cut-off current (peak value)	39kA

#### Connection capacity

Bar (Thickness / Width) (mm)	2x5/40
Rigid cable (mm <sup>2</sup> )	2x240
Max. Connecting copper bar (mm)	40
Tightening torque (N·m)	24

#### Mechanical data

Minimum number of operations (as per standard) without load	10000
Maximum weight (4 pole molded case) (kg)	4,2/4,5

#### Codes

Case size (A)	Poles	Code	Code for direct handle
Size 2	3P	S5-06303PR0	DS-LI21
Size 2	4P (3P+N)	S5-06303NR0	DS-LI21

#### Accessories

Panel handle	DS-LA21
Protective plate	DS-CU22
Auxiliary contact	D5LAU01

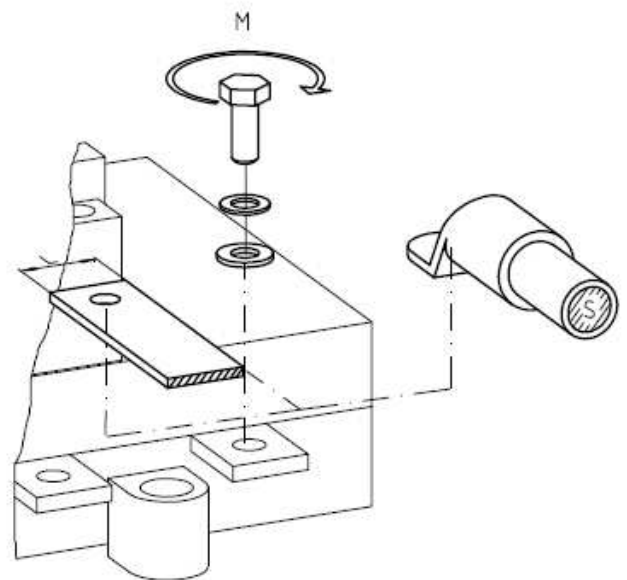
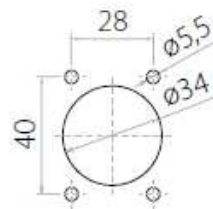
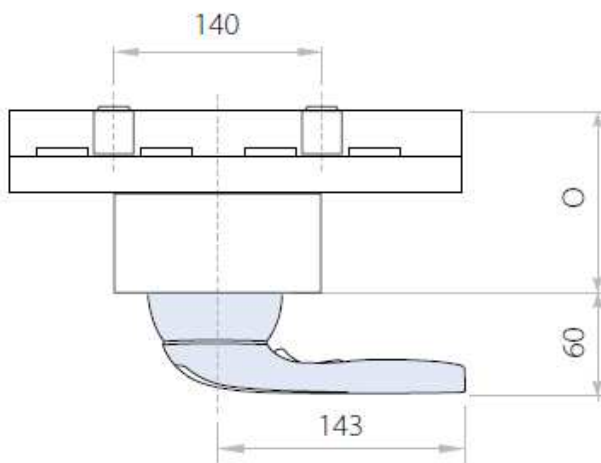
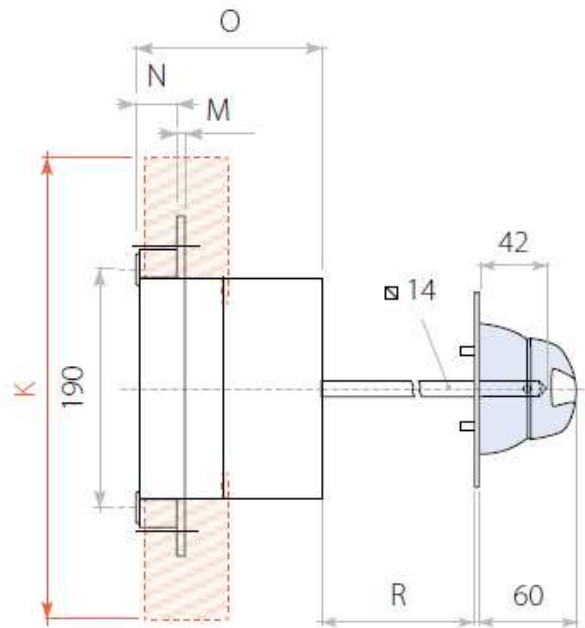
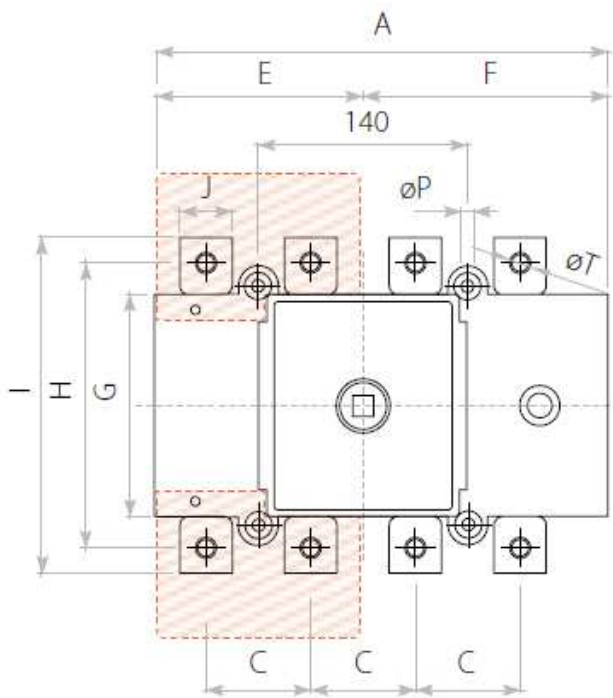
You will find detailed information about our products on our web site [www.telergon.es](http://www.telergon.es)



**AC Switch-Disconnecter**  
**S5-06303PR0**  
**S5-06303NR0**

TELERGON, S.A.U.  
Data subject to change without  
notice (printed: 28/02/2013)

# Dimensions



S5000	I <sub>th</sub>	A	C	E	F	G	H	I	J	K	L	M	N	O	R		φP	Q	φT	M	S max. (Cu) mm <sup>2</sup>	H max. L max. (Cu) mm (Cu) mm	
															MAX	MIN						H	L
2	630A	275	65	130	145	160	205	235	30	290	245	5	30	121	119	18	6,5	25	M10	24	2x240	2x5	40

You will find detailed information about our products on our web site [www.telergon.es](http://www.telergon.es)



**AC Switch-Disconnecter**  
**S5-06303PR0**  
**S5-06303NR0**

TELERGON, S.A.U.  
 Data subject to change without  
 notice (printed: 28/02/2013)