



**Electrical data (according to IEC 60947-3)**

**Thermal current I<sub>th</sub> (-30 to 50 °C) 630A**

Rated insulation voltage U<sub>i</sub> (V) 1000  
 Rated impulse withstand voltage U<sub>imp</sub> (kV) 12

**AC Rated operational current I<sub>e</sub> (A)**

Voltage (C)	Category of operation	I <sub>e</sub>
400 V	AC21A	630
	AC22A	630

*\*\* Please consult for other voltages and/or category of operation*

**Short-circuit behaviour**

Short-circuit making capacity (peak value) I <sub>cm</sub>	20kA
Short-time withstand current (1 sec) (rms) I <sub>cw</sub>	13kA

**Standards. IEC 60947-1 & 3**

**Quality Telergon, S.A.U.**

ISO 9001 & 14001



**Connection capacity**

Bar (Thickness / Width) (mm)	2x6/45
Rigid cable (mm <sup>2</sup> )	2x240
Max. Connecting copper bar (mm)	45
Tightening torque (N·m)	45

**Testing as per IEC 60947-3. Approvals**

Tecnalia Labein



**Mechanical data**

Minimum number of operations (as per standard) without load	4000/10000
Maximum weight (4 pole molded case) (kg)	11,5/12,6

Kema Keur



**Codes**

Case size (A)	Poles	Code	Code for direct handle
Size 2	3P	CCF06303PS0	DCCLI21
Size 2	4P(3P+N)	CCF06303NS0	DCCLI21

**Accessories**

Panel handle	DCCLA21	
Protective plate	DCCPP22	
Auxiliary contact	D5LAU01	
Terminal shrouds	3P	DM2CU22 (x1); DM2CU21 (x1); DCCCU21 (x1)
	3P+N	DM2CU23 (x2); DCCCU22 (x1)

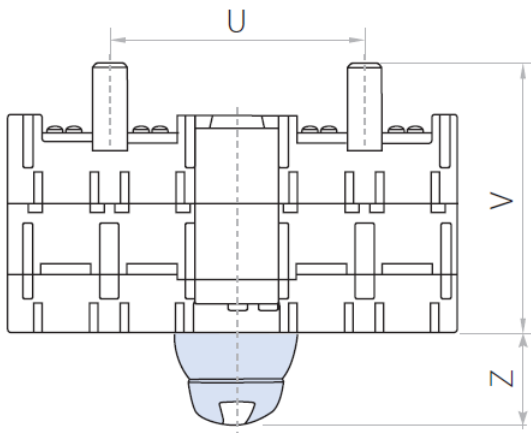
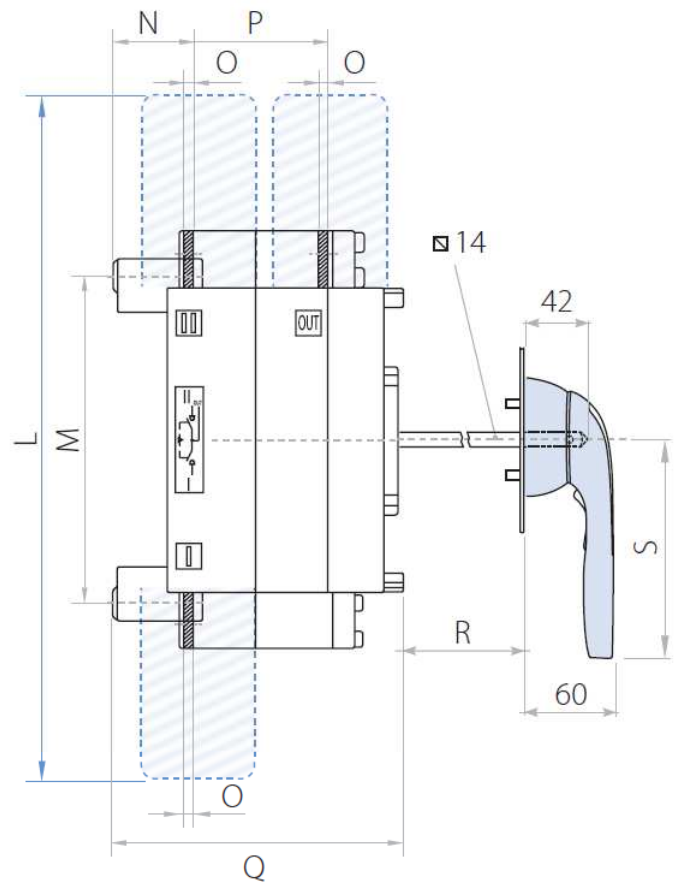
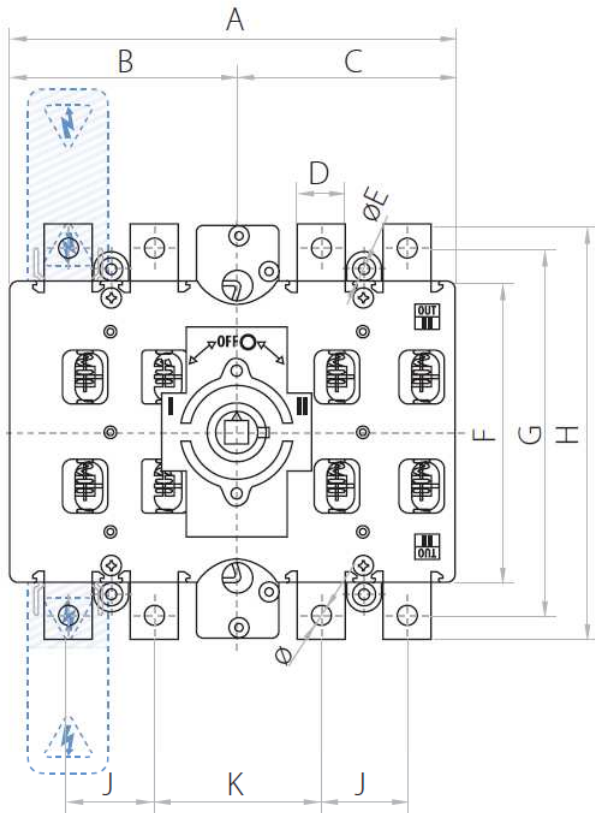
On our web site [www.telergon.es](http://www.telergon.es) you will find detailed information about our products



**Changeover Switch**  
**CCF06303PS0**  
**CCF06303NS0**

TELERGON, S.A.U.  
 Data subject to change without notice (printed: 14/02/2014)

# Dimensions



CCF	I <sub>th</sub>	A		B		C	D	E	F	G	H	J	K	L	M	N	O	P	Q	R		S	U	V	φ	φT	M	N×m	S max. (Cu) mm <sup>2</sup>	Z max.	H max. L max.	
		3P	4P	3P	4P															Max	Min										(Cu) mm	(Cu) mm
2	630A	321	162	159	40	7	232	282	312	65	121	482	247	46	5	87	180	92	15	176	186	171	12.5	M12	45	2×240	45	2×6	45			

On our web site [www.telergon.es](http://www.telergon.es) you will find detailed information about our products



**Changeover Switch**  
**CCF06303PS0**  
**CCF06303NS0**

TELERGON, S.A.U.  
 Data subject to change without  
 notice (printed: 14/02/2014)