



Electrical data (according to IEC 60947-3)

Thermal current I_{th} (-30 to 50 °C) 800A

Rated insulation voltage U_i (V) 1000
 Rated impulse withstand voltage U_{imp} (kV) 12

AC Rated operational current I_e (A)

Voltage (C)	Category of operation	I _e
400 V	AC21A	800
	AC22A	800

*** Please consult for other voltages and/or category of operation*

Short-circuit behaviour

Short-circuit making capacity (peak value)	I _{cm}	20kA
Short-time withstand current (1 sec) (rms)	I _{cw}	13kA

Standards. IEC 60947-1 & 3

Quality Telergon, S.A.U.

ISO 9001 & 14001



Connection capacity

Bar (Thickness / Width) (mm)	2x6/45
Rigid cable (mm ²)	2x240
Max. Connecting copper bar (mm)	45
Tightening torque (N·m)	45

Testing as per IEC 60947-3. Approvals

Tecnalia Labein



Mechanical data

Minimum number of operations (as per standard) without load	4000/10000
Maximum weight (4 pole molded case) (kg)	11,9/13,2

Kema Keur



Codes

Case size (A)	Poles	Code	Code for direct handle
Size 2	3P	CCF08003PS0	DCCLI21
Size 2	4P(3P+N)	CCF08003NS0	DCCLI21

Accessories

Panel handle	DCCLA21	
Protective plate	DCCPP22	
Auxiliary contact	D5LAU01	
Terminal shrouds	3P	DM2CU22 (x1); DM2CU21 (x1); DCCCU21 (x1)
	3P+N	DM2CU23 (x2); DCCCU22 (x1)

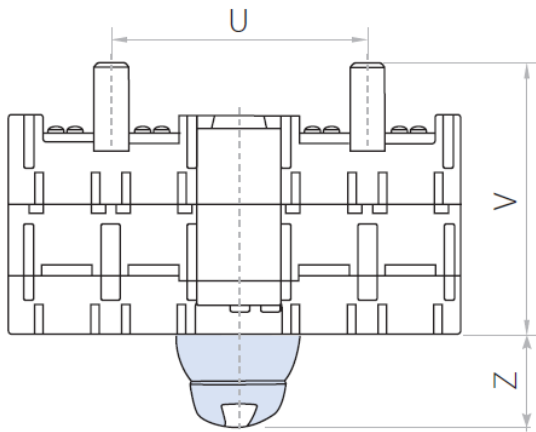
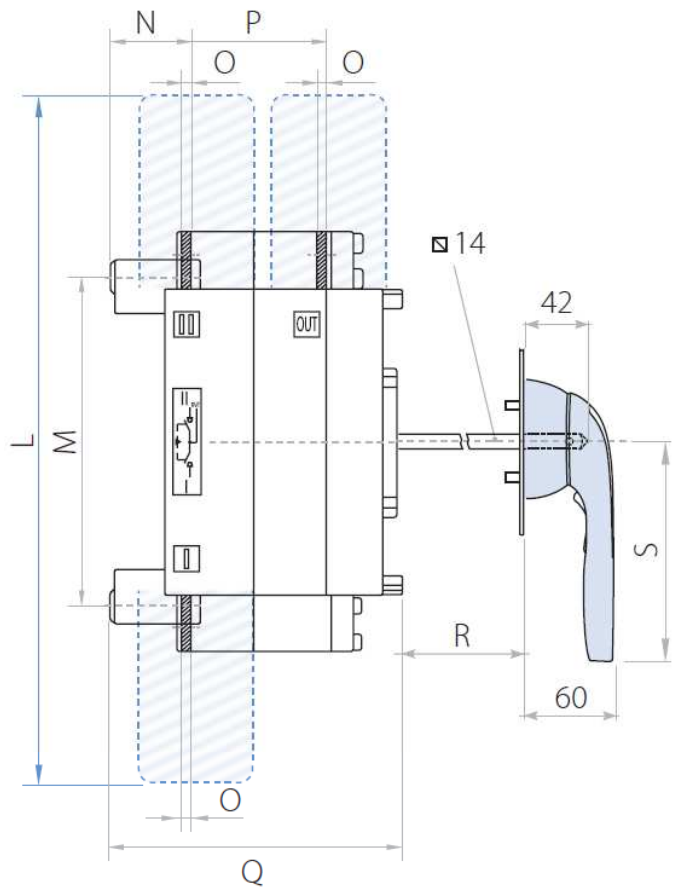
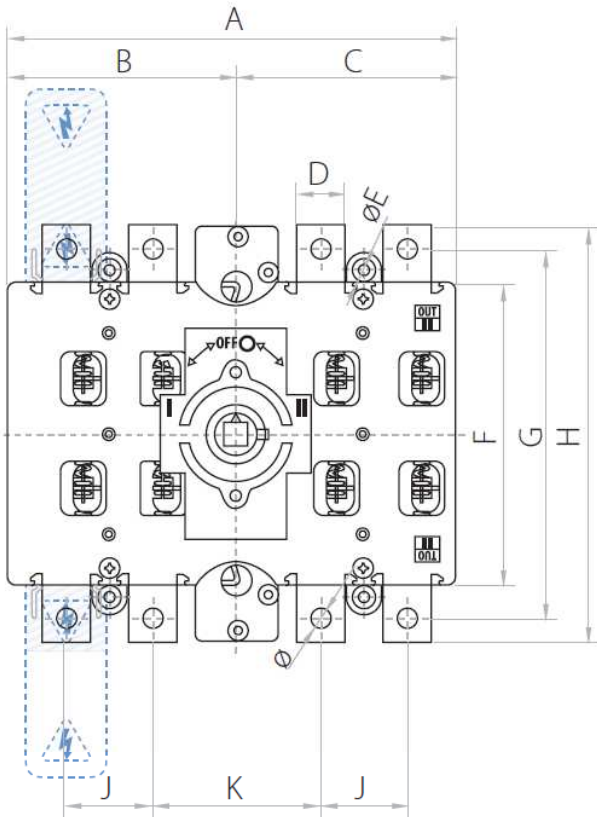
On our web site www.telergon.es you will find detailed information about our products



Changeover Switch
CCF08003PS0
CCF08003NS0

TELERGON, S.A.U.
 Data subject to change without notice (printed: 14/02/2014)

Dimensions



CCF	I _{th}	A		B		C	D	E	F	G	H	J	K	L	M	N	O	P	Q	R		S	U	V	φ	φT	M	N×m	S max. (Cu) mm ²	Z max.	H max. L max. (Cu) mm(Cu) mm	
		3P	4P	3P	4P															Max	Min										H max.	L max.
2	800A	321	162	159	40	7	232	282	312	65	121	482	247	46	5	87	180	92	15	176	186	171	12.5	M12	45	2×240	45	2×6	45			

On our web site www.telergon.es you will find detailed information about our products



Changeover Switch
CCF08003PS0
CCF08003NS0

TELERGON, S.A.U.
 Data subject to change without
 notice (printed: 14/02/2014)