

Data sheet:

AC-Changeover switch Model S5000F – 1000A



Electrical data (according to IEC 60947-3)

Thermal current I_{th} (-30 to 50 °C) 1000A

Rated insulation voltage U_i (V) 1000
Rated impulse withstand voltage U_{imp} (kV) 12

AC Rated operational current I_e (A)

Voltage (C)	Category of operation	I _e
400 V	AC21A	1000
	AC22A	1000

*** Please consult for other voltages and/or category of operation*

Standards. IEC 60947-1 & 3

Quality Telergon, S.A.U.

ISO 9001 & 14001



Short-circuit behaviour

Short-circuit making capacity (peak value) I _{cm}	60kA
Short-time withstand current (1 sec) (rms) I _{cw}	25kA
Conditional short-circuit current (rms value)	72kA
Maximum cut-off current (peak value)	55kA

Connection capacity

Bar (Thickness / Width) (mm)	2x10/50
Rigid cable (mm ²)	2x300
Max. Connecting copper bar (mm)	50
Tightening torque (N·m)	45

Testing as per IEC 60947-3. Approvals

Austrian Institute of
Technology



Mechanical data

Minimum number of operations (as per standard) without load	10000
Maximum weight (4 pole molded case) (kg)	18,5/20

Codes

Case size (A)	Poles	Code	Code for direct handle
Size 3	3P	S5F10003PC0	D5LLI32
Size 3	4P (3P+N)	S5F10003NC0	D5LLI32

Accessories

Panel handle	D5LLA31	
Auxiliary contact	DS-AU11	(1N0 + 1NC)
	DS-AU12	(2N0 + 2NC)
Terminal Shrouds	DS-CU31	

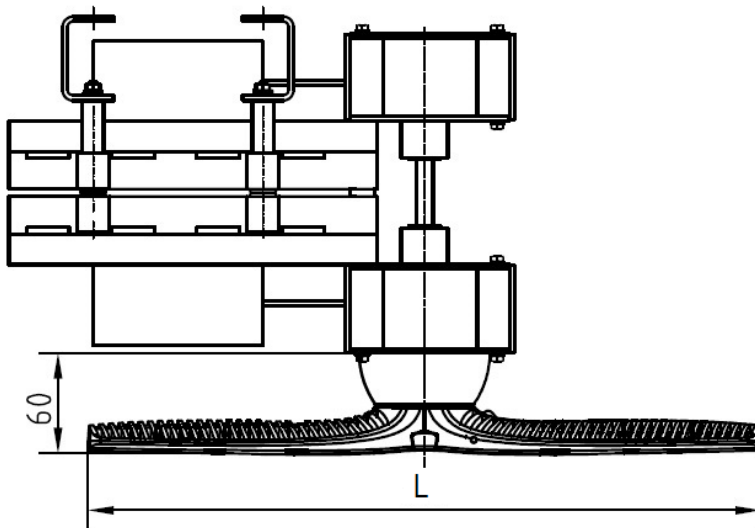
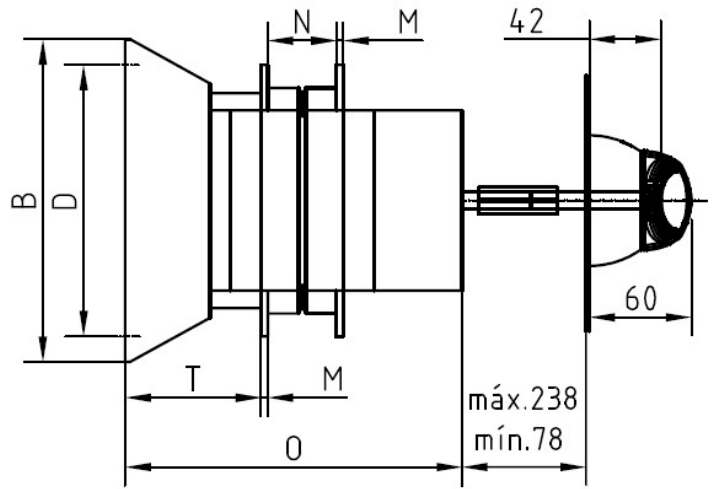
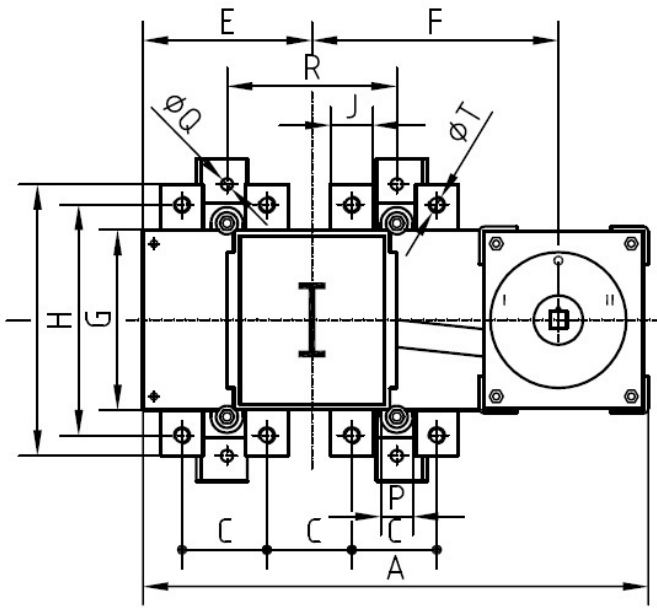
You will find detailed information about our products on our web site www.telergon.es



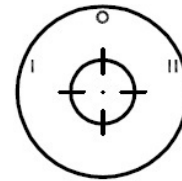
**AC Changeover Switch
S5F10003PC0-NC0**

TELERGON, S.A.U.
Data subject to change without
notice (printed: 08/06/2016)

Dimensions



S-5000F



S5000F	I_{th}	A	B	C	D	E	F	G	H	I	J	L	M	N	O	P	ϕQ	R	T	ϕT	M	S max. (Cu) mm ²	H max. (Cu) mm	L max. (Cu) mm
3	1000A	422	280	75	240	150	193	190	250	290	40	396	8	78	284	30	11	150	108	M14	45	2x300	2x10	50

You will find detailed information about our products on our web site www.telergon.es



AC Changeover Switch
S5F10003PC0-NC0

TELERGON, S.A.U.
Data subject to change without
notice (printed: 08/06/2016)