

agility™

Agile soft starters

Low Voltage
Soft Starters



Game changing soft starters

17-361 A

 **fairford**
Soft Starter Technology
Part of the  Motortronics Group

agility™

Agile soft starters



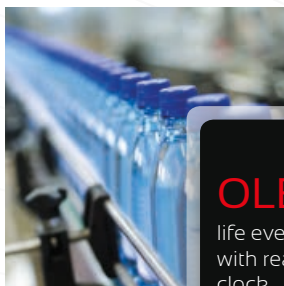
Soft Stopping

Current is limited during soft stopping and gives greater control against water hammer.



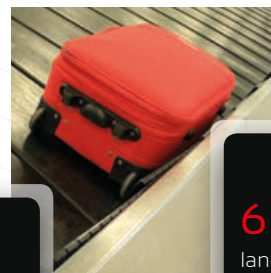
Fire Mode

External input signal overriding normal controls allowing the motor to continue running in emergency situations.



OLED

life event logging with real-time clock



6

language menu



600 V

max. operating voltage

> agility™ has been developed to exceed the exacting demands of industrial automation motor control clients. agility™ delivers stable, structured start and stop ramps for smooth, efficient performance. Three standard frame sizes cover all typical applications from 7.5kW to 250kW at 500VAC, 15 - 350HP at 600VAC.

i23 smart application pre-program suite

Optimise agility™ for your specific application at the touch of a button. Select any of the 23 pre-programmed setup profiles and you are up and running in under 1 minute.

3S Technology

Automatic ramp control profiles ensure smooth start and stop performance, delivering stable acceleration and deceleration in all operating conditions.

1 OLED display

Full text messages enabling fast programming and rapid fault finding with no codes and real-time value monitoring. Local display of recent logged events.

2 USB

for field firmware upgrades and downloading of the event logging data.

3 Modbus RTU

communications as standard. No need for optional communication cards.

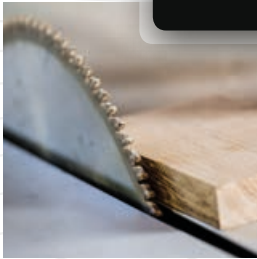
Frequent Number of Starts

Optional cooling fan for frequent duty applications with up to 40 starts per hour - size 1, and from 10 to 40 starts per hour (rating dependent) - size 2.



Full I²t

motor overload protection with 'thermal memory' feature



Lower

costs, higher performance



Optional Remote Display Keypad

Plug in remote mounting unit keypad mimics the agility™ display and keypad function.

IP65/NEMA Class 4X



Optional Power Supply Unit Module

Unique to agility™ this module enables control voltage options in one standard product unit, no need to purchase separate soft starters for different control voltages.



Motor Overload Protection

Protecting the motor and soft starter in the event of an overload situation at full I²t motor overload with intelligent thermal memory retention feature. Continually monitoring overloads to ascertain the reduction in overload levels even when agility™ is in the 'off' state. This is combined with protection and diagnostics giving the operator peace of mind during the motor running phase.

Life Event Logging

agility™ life event logging is a unique feature that records the last 1600 events to enable fast accurate fault analysis and their resolution. Recording multiple activities including start, stop, top of ramp, faults, application parameters (time, overload level, currents, frequency) and the device information. The data is collated in StarterView programme and provides the operator with the advantage to undertake a detailed analysis of performance and equipment conditioning in an active predictive and preventative maintenance strategy to avoid unwanted breakdowns and any costly lost production time.

Loss Reduction

An integral bypass is initiated at the top of ramp and reduces losses in the soft starter.

Start Delay Feature

Intentional start delay allowing pump actuators to engage before start.

Control Circuit

A standard 24 VDC control voltage supply with an optional power module which adapts the digital input voltage to accept a 110–230 VAC signal.

Lowers Panel Production Costs

Three unit frame sizes across the voltage range of 200-600VAC with vertical or horizontal mounting to facilitate efficient panel layout and interconnections to reduce material and panel production time

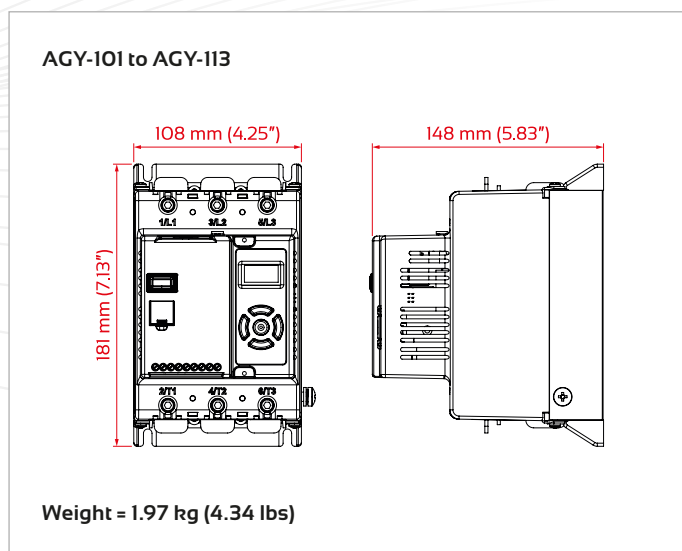




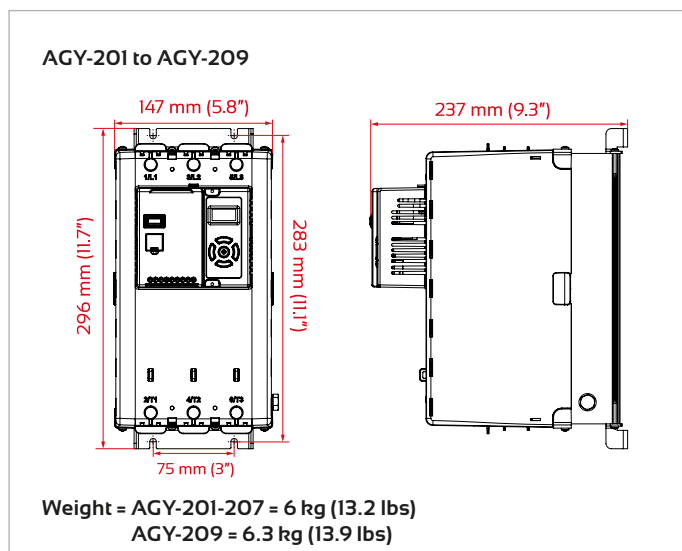
Optimised application setup

A suite of pre-programmed application 'complete setup' profiles facilitate a quick and comprehensive commission process to give freedom and independence to engineers. Typical agility™ setup takes less than 1 minute whereas a comparable competitive product commission could be 60 to 120 minutes for only a partial setup. Access to an advanced setup menu is provided as standard for special application requirements.

Dimensions - Size 1



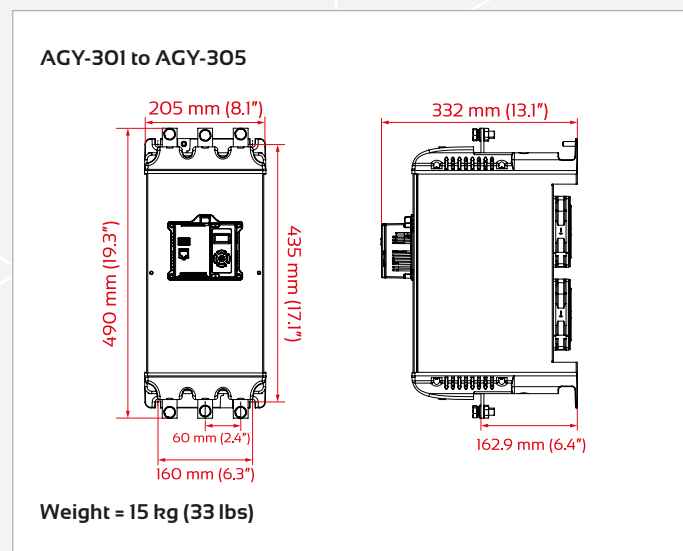
Dimensions - Size 2



Specification

Operational Voltage	200–600 VAC
Rated Frequency	50–60 Hz ± 5 Hz
Index Rating	Trip Class 10: 3.5-17: 90-5 (Trip Class 20 & 30)
Starts per Hour	Standard 5 starts/stops per hour With Optional Fan AGY-101 to 203: 40 starts/stops per hour AGY-205: 30 starts/stops per hour AGY-207: 20 starts/stops per hour AGY-209: 10 starts/stops per hour
Internally Bypassed	Yes
Screen	OLED
Control Supply	Standard 24 VDC With Optional Power Supply 110 to 230 VAC
Inputs	2 Digital Inputs, 1 Programmable Standard 24 VDC With Optional Power Supply 110 to 230 VAC
Outputs	2 Digital Outputs, 1 Programmable
Overload	Full IPt Motor Overload
Communications	Modbus RTU
Full Logging functionality for use with StarterView	Yes
IP/NEMA rating	Size 1 IP20/NEMA Class 1 with finger guard fitted (PLS-AGY-008) Size 2 IP20/NEMA Class 1 with finger guard fitted (PLS-SGY-009) Size 3 IP00 as standard IP20/NEMA Class 1 with optional terminal cover kit (PLS-SGY-061)
Ambient Temperature	-20 °C to 40 °C without de-rating 60 °C with de-rating
Standards	CE, UL, RCM
Languages	English, French, German, Spanish, Portuguese, Italian
Warranty	2 Years

Dimensions - Size 3



Model Selection

For standard operating conditions of 40 °C and 1000 m above sea level.

See manual for de-rating and other conditions.



Rated Starting Capability

Typical Applications

Trip Class 10	Trip Class 20	Trip Class 30
3×Motor Current – 23 secs 3.5×Motor Current – 17 secs	4×Motor Current – 19 secs	4×Motor Current – 29 secs
Agitator Compressor Rotary Vane Unloaded Scroll Conveyor Unloaded Bow Thruster Zero Pitch Fan Low Inertia or <85A Feeder Screw Lathe Machines Mixer Unloaded Moulding Machine Plastic and Textile Machines Pump Submersible - Centrifugal Submersible - Rotodynamic Saw Band Transformers Voltage Regulators	Compressor Centrifugal Reciprocating Rotary Screw Ball Mill Bow Thruster Loaded Conveyor Loaded Grinder Hammer Mill Mills Flour etc. Mixer Loaded Pelletizers Press, Flywheel Positive Displacement Pump Reciprocating Rotary Pump Jack Rolling Mill Roots Blower Saw Circular Screen Vibrating Tumblers	Crusher* Shredder Wood Chipper Fan* High Inertia or > 85 A * start time > 30 secs

Motor Rating

I _e A	kW			FLA A	HP					Select Model	Select Model	Select Model
	230 V	400 V	500 V		200 V	208 V	220-240 V	440-480 V	550-600 V			
17	4	7.5	7.5	17	3	5	5	10	15	—	—	AGY-101
17	4	7.5	7.5	17	3	5	5	10	15	—	AGY-101	AGY-103
17	4	7.5	7.5	17	3	5	5	10	15	AGY-101	AGY-103	AGY-105
22	5.5	11	11	22	5	5	7.5	15	20	AGY-103	AGY-105	AGY-107
29	7.5	15	15	27	7.5	7.5	7.5	20	25	AGY-105	AGY-107	AGY-109
35	7.5	18.5	22	34	10	10	10	25	30	AGY-107	AGY-109	AGY-111
41	11	22	22	41	10	10	10	30	40	AGY-109	AGY-111	AGY-113
55	15	30	37	52	15	15	15	40	50	AGY-111	AGY-113	AGY-201
66	18.5	37	45	65	20	20	20	50	60	AGY-113	AGY-201	AGY-203
80	22	45	55	77	20	25	25	60	75	AGY-201	AGY-203	AGY-205
106	30	55	75	100	30	30	30	75	100	AGY-203	AGY-205	AGY-207
132	37	75	90	125	40	40	40	100	125	AGY-205	AGY-207	AGY-209
160	45	90	110	156	50	50	60	125	150	AGY-207	AGY-209	AGY-301
195	55	110	132	192	60	60	60	150	200	AGY-209	AGY-301	AGY-303
242	75	132	160	242	75	75	75	200	250	AGY-301	AGY-303	AGY-305
302	90	160	200	302	100	100	100	250	300	AGY-303	AGY-305	—
361	110	200	250	361	125	125	150	300	350	AGY-305	—	—

Product Options

AGY-020	External 110V-230V Power Supply Module
AGY-010	Remote Display Keypad
AGY-030	Size 1 External Cooling Fan
AGY-031	Size 2 External Cooling Fan
PLS-SGY-061	Single IP20 Terminal Cover Kit, Frame Size 3

Product Spares

PLS-AGY-008	Single IP20 Finger Guard, Frame Size 1
PLS-SGY-009	Single IP20 Finger Guard, Frame Size 2

For more information on agility™ contact your local distributor

+ 44 (0)1752 894554
www.fairford.com

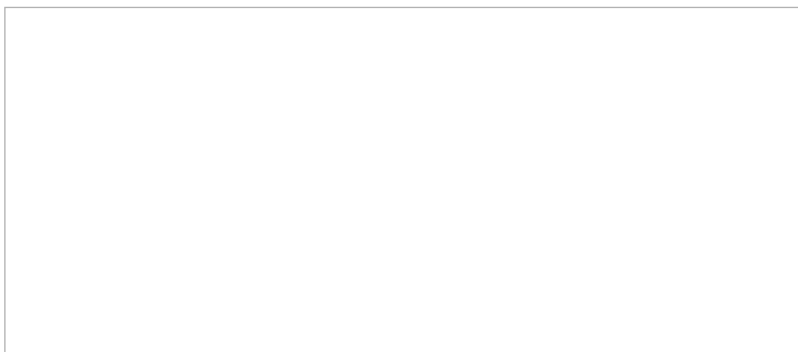
agility™

Agile soft starters

For more information
on agility™ contact your
local distributor

+ 44 (0)1752 894554

www.fairford.com



Fairford Electronics reserves the right to change or update, without notice, any technical information contained in this brochure. Fairford Electronics also reserves the right, without notice, to change the design or construction of the product and to discontinue.



 **fairford**
Soft Starter Technology
Part of the  Motortronics Group