



INGEREV RAPID 50

Trio - Duo - One

Installation and Operation Manual

Manual de instalación y uso

Manuel d'installation et usage

Manuale d'installazione e uso

ABT2012IQM01_
11/2019

Ingeteam Power Technology, S.A. - Energy

Avda. Ciudad de la Innovación, 13
31621 SARRIGUREN (Navarra) - Spain
Tel.: +34 948 28 80 00
Fax.: +34 948 28 80 01
e-mail: electricmobility.energy@ingeteam.com

Service Call Center: +34 948 698 715

English	EN
Español	ES
Français	FR
Italiano	IT

The copy, distribution or use of this document or of its content requires written authorisation. Any breach thereof will be reported for damages. All rights reserved including those of patent rights or design registration.

The conformity of the document content with the hardware described has been checked. However, discrepancies may exist. Liability will not be assumed for total concordance. The information contained in this document is regularly reviewed and it is possible that there may be changes in subsequent editions. Other functions may be available which are not covered by this document.

This document may be changed.

La copia, circulación o uso de este documento o de su contenido requiere un permiso por escrito. Su incumplimiento será denunciado por daños y perjuicios. Todos los derechos están reservados, incluyendo aquellos que resulten de derechos de patentes o registro del diseño.

La correspondencia del contenido del documento con el hardware ha sido comprobada. Sin embargo, pueden existir discrepancias. No se asume ninguna responsabilidad por la concordancia total. La información que contiene este documento es revisada regularmente y es posible que se produzcan cambios en siguientes ediciones.

El presente documento es susceptible de ser modificado.

La copie, distribution ou utilisation de ce document ou de son contenu requiert une autorisation écrite. Toute personne ne respectant pas cette condition sera passible de poursuites. Tous les droits sont réservés, y compris ceux qui découlent des droits de brevets ou d'enregistrement des conceptions.

La correspondance entre le contenu du document et le matériel a été vérifiée. Il peut toutefois exister des divergences. Aucune responsabilité de concordance totale n'est assumée. Les informations contenues dans ce document sont régulièrement révisées et il est possible que des changements surviennent dans les éditions à venir.

Le présent document est susceptible d'être modifié.

Per copiare, condividere o utilizzare il presente documento o il suo contenuto è necessaria un'autorizzazione scritta. Il mancato rispetto di quest'obbligo sarà perseguito. Tutti i diritti sono riservati, compresi quelli risultanti da diritti di brevetti o dalla registrazione del progetto.

La corrispondenza del contenuto del presente documento con l'hardware è stata verificata, tuttavia, possono sussistere discrepanze. Si declina ogni responsabilità relativamente alla concordanza totale. Le informazioni contenute in questo documento sono regolarmente sottoposte a revisione ed è possibile che siano inserite delle modifiche nelle prossime edizioni.

Questo documento può essere soggetto a modifiche.

Important safety instructions

This section describes the safety warnings and the personal protective equipment and symbols used in the unit.

Safety conditions

General warnings

DANGER

Opening the enclosure does not imply there is no voltage inside.

The risk of electric shock exists even after disconnecting from the grid.

Only qualified personnel may open it, following the instructions in this manual.

It is strictly forbidden to gain access to the inside of the electrical panel through any other point than the access cover provided for this purpose. Always gain access when the unit is voltage-free.

CAUTION

The operations described in the manual may be performed only by qualified personnel.

The status of qualified personnel referred to in this manual will be, as a minimum, that which meets all the standards, regulations and laws regarding safety applicable to the tasks of installing and operating this unit.

The responsibility for designating qualified personnel will always fall to the company to which the personnel belong. It is necessary to decide which workers are suitable or not for carrying out specific work to preserve their safety at the same time as complying with occupational safety legislation.

These companies are responsible for providing appropriate training in electrical equipment to their personnel and for familiarizing them with the contents of this manual.

All applicable safety-related legislation for electrical work must be complied with. Danger of electric shock.

Compliance with the safety instructions set out in this manual or in the suggested legislation does not imply exemption from other specific standards for the installation, place, country or other circumstances that affect the unit.

You must consider the set of conditions listed throughout this document as minimum requirements. It is always preferable to shut off the main power supply. There may be faults in the installation that cause the unwanted return of voltage. Danger of electric shock.

According to basic safety standards, the complete unit must be suitable to protect exposed workers against the risk of direct and indirect contact. In any case the electrical parts of the work equipment must comply with the provisions of the corresponding specific regulations.

According to basic safety standards, the electrical installation shall not entail a fire or explosion risk. Workers must be duly protected against the risk of accidents caused by direct or indirect contact. The electrical installation and protection devices must take into account the voltage, the external conditions and the competence of persons who have access to parts of the installation.

To check the absence of voltage, it is compulsory to use measurement devices with category III-1100 V.

INFO


These instructions must be easily accessible close to the unit and located within reach of all users.

Before installation and start-up, please read these safety instructions and warnings carefully as well as all the warning notices located on the unit. Ensure that all the warnings signs are perfectly legible and that those which are damaged or have disappeared are restored.


Protection against direct contact is by means of the enclosure.

The unit has been tested according to the applicable regulations to comply with the safety requirements, the values for insulation clearances and leakage paths for the voltages used.

Potential hazards for people

 DANGER
<p>Electric shock. The equipment may remain charged after disconnecting the grid power. Carefully follow the mandatory steps in the manual for removing the voltage.</p>
<p>Explosion. There is a very low risk of explosion in very specific cases of malfunction. The casing will protect people and property from the explosion only if it is correctly closed.</p>
<p>Crushing and joint injuries. Always follow the indications in the manual on moving and placing the unit. The weight of this unit can cause serious injury and even death if not handled correctly.</p>
<p>High temperature. The flow of outlet air can reach high temperatures which can cause injury to anybody exposed to it.</p>

Potential hazards for the equipment

 DANGER
<p>Cooling. The unit requires particle-free air flow while it is operating. Keeping the unit in the upright position and the inlets free of obstacles is essential for this air flow to reach the inside.</p>
<p>Do not touch boards or electronic components. The more sensitive components can be damaged or destroyed by static electricity.</p>
<p>Do not disconnect or connect any terminal while the unit is operating. Disconnect and check for absence of voltage first.</p>
<p>With the aim of avoiding premature wear of the screwed joints on the unit's housing panels, removal and installation of the screws must be done manually.</p>

Personal Protective Equipment (PPE)

When working on the unit, use the following safety equipment recommended by Ingeteam as a minimum.

Name	Description
Safety footwear	In compliance with standard <i>UNE-EN-ISO 20345:2012 ANSI Z41.1-1991</i>
Helmet with face shield	In compliance with standard <i>UNE-EN 397:1995, ANSI Z89.1-2014</i> , provided there are elements with voltage directly accessible.
Working clothes	Close-fitting, non-flammable, 100% cotton
Dielectric gloves	In compliance with standard <i>EN 60903:2005 ASTM D 120-87</i>

Tools and / or equipment used in live work must have at least Category III-1100 Volts insulation.

Should the country's regulations demand another kind of personal protection, you should appropriately supplement the equipment recommended by Ingeteam.

EN

ES

FR

IT

Contents

- Important safety instructions 5
 - Safety conditions..... 5
 - Personal Protective Equipment (PPE) 7
- Contents 8
- 1. About this manual..... 10
 - 1.1. Scope and nomenclature 10
 - 1.2. Recipients..... 10
 - 1.3. Symbols..... 10
- 2. Unit description..... 11
 - 2.1. Overview 11
 - 2.2. Models..... 11
 - 2.3. Connectors..... 11
 - 2.3.1. Connectors for DC charging 11
 - 2.3.2. Connectors for AC charging..... 12
 - 2.4. Protection 13
 - 2.5. Accessories equipped as standard 13
 - 2.6. Optional accessories 14
 - 2.7. Electrical safety..... 14
 - 2.7.1. Overvoltage category (OVC) 14
 - 2.8. Acoustic contamination 14
 - 2.9. Electrical diagram of the system..... 15
 - 2.10. Specification table 16
 - 2.11. Description of cable inlets 17
- 3. Receipt of the unit and storage..... 18
 - 3.1. Reception 18
 - 3.2. Unit identification..... 18
 - 3.3. Transport damage 18
 - 3.4. Storage..... 18
 - 3.5. Conservation..... 18
- 4. Equipment transport 19
 - 4.1. Center of gravity 19
 - 4.2. Unpacking 19
 - 4.3. Transport..... 20
- 5. Preparation for installing the unit 21
 - 5.1. Environment..... 21
 - 5.2. Environment..... 22
 - 5.3. Environmental conditions 22
 - 5.4. Supporting Surface and Fastening 23
 - 5.5. Fuse requirements 24
 - 5.6. Type of grid 25
 - 5.7. Cabling length 26
 - 5.8. External disconnection device 26
 - 5.9. Medium voltage transformer..... 26
- 6. Installing the unit 27
 - 6.1. General requirements for installation 27
 - 6.2. Fastening the unit..... 27
- 7. Connection of accessories..... 29
 - 7.1. Safety instructions for connecting accessories 29
 - 7.2. Ethernet communication 29
 - 7.2.1. Cabling requirements 29
 - 7.2.2. Connection process..... 29
- 8. AC connection 30
 - 8.1. Safety instructions for the AC connection 30
 - 8.2. Wiring requirements for the AC connection..... 30
 - 8.3. AC connection process 31

- 9. First connection to the electric grid..... 32
 - 9.1. Unit inspection..... 32
 - 9.1.1. Inspection..... 32
 - 9.1.2. Hermetic sealing of the unit 32
- 10. Configuration 33
 - 10.1. Local connection 33
 - 10.1.1. Local connection via Ethernet 33
 - 10.1.2. Local connection via Wi-Fi..... 34
 - 10.2. Remote connection 34
- 11. Using the unit 35
 - 11.1. Charging screen..... 35
 - 11.2. Charging process 36
- 12. Troubleshooting 37
 - 12.1. Alarms..... 37
- 13. Shutting down the unit 38
- 14. Maintenance 39
 - 14.1. Safety conditions..... 39
 - 14.2. Condition of hoses and charging connectors 39
 - 14.3. Condition of the housing..... 39
 - 14.4. Condition of cables and terminals..... 39
 - 14.5. Changing the fuse..... 40
 - 14.6. Cleaning or replacing filters 41
 - 14.7. Changing the fans..... 42
- 15. Waste handling..... 44

EN
ES
FR
IT

1. About this manual

The purpose of this manual is to describe the INGEREV RAPID 50 units and to provide appropriate information for their correct reception, installation, start-up, maintenance and operation.

1.1. Scope and nomenclature

This manual is applicable to the following units:

Complete name	Abbreviation
INGEREV RAPID 50 Trio	Trio
INGEREV RAPID 50 Duo	Duo
INGEREV RAPID 50 One	One

1.2. Recipients

This document is intended for qualified personnel.

The status of qualified personnel referred to in this manual will be, as a minimum, that which meets all the standards, regulations and laws regarding safety applicable to the tasks of installing and operating this unit.

The responsibility for designating qualified personnel will always fall to the company to which the personnel belong. It is necessary to decide which workers are suitable or not for carrying out specific work to preserve their safety at the same time as complying with occupational safety legislation.

These companies are responsible for providing appropriate training in electrical equipment to their personnel and for familiarizing them with the contents of this manual.

1.3. Symbols

Throughout this manual we include warnings to highlight certain information. Relative to the nature of the text, there are three types of warnings:



This indicates a hazard to personnel or the charger.



Indicates importance.



Additional information or references to other parts of the document or documents.

2. Unit description

2.1. Overview

INGEREV RAPID 50 chargers are a multi-standard fast charging model designed for the fast charging requirements of the latest electric vehicles, allowing to recover up to 100 km of range in no more than 20 minutes.

The different models of the INGEREV RAPID 50 are compatible with mode 4 with standards CHAdeMO and CCS in DC and with mode 3 with AC Type 2 in AC.

They have been designed for use outdoors and may be installed in locations with unrestricted access. Given its nature, this is a fixed, freestanding unit classified as Class I equipment.

2.2. Models

The INGEREV RAPID 50 chargers have several models with the following connector types available:

	Connector type		
	DC		AC
	CCS	CHAdeMO	AC Type 2
INGEREV RAPID 50 Trio	●	●	●
INGEREV RAPID 50 Duo	●	●	○
INGEREV RAPID 50 One	●	○	○

● Equipped // ○ Not equipped

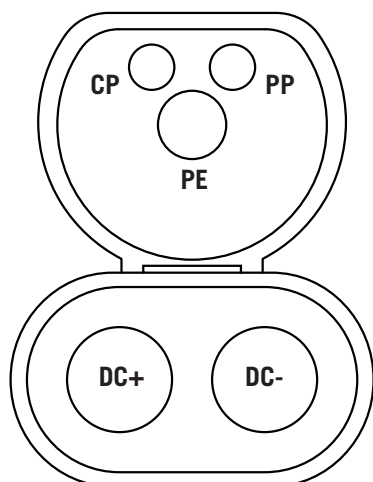
These models are designed to remain connected to the public AC grid. They all generate DC current and the INGEREV RAPID 50 Trio also generates AC current.

2.3. Connectors

2.3.1. Connectors for DC charging

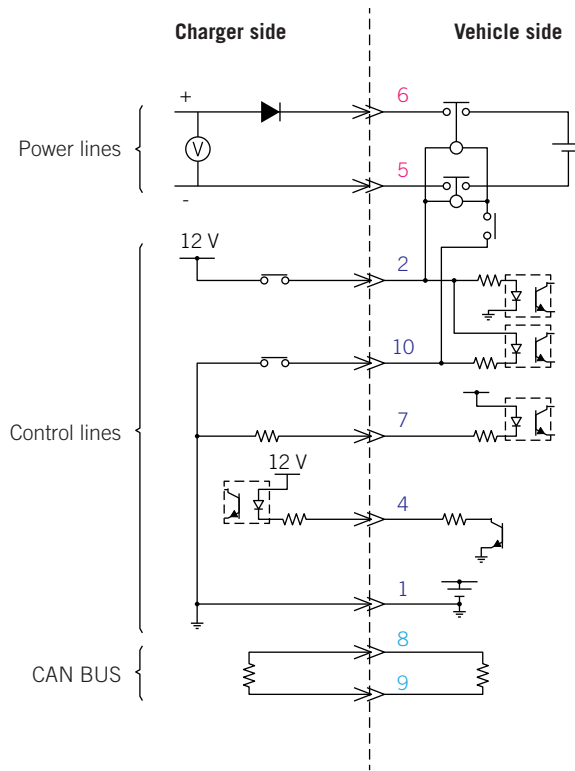
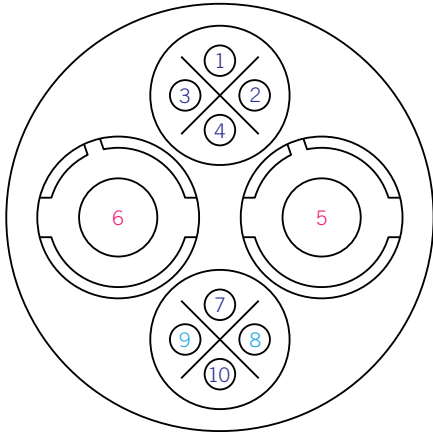
The following connectors are based on DC fast charging standards for electric vehicles.

CCS



PP: *Proximity Pilot*
 CP: *Control Pilot*
 PE: *Protective Earth*
 DC+
 DC-

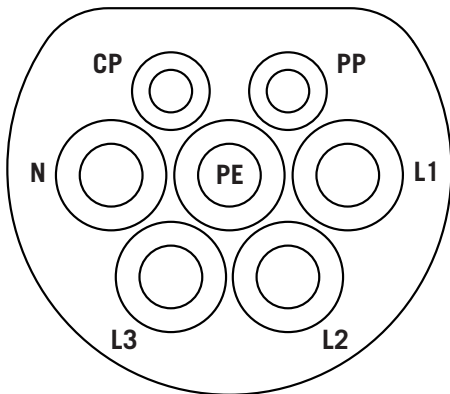
CHAdeMO



2.3.2. Connectors for AC charging

The following connector is based on AC fast charging standards for electric vehicles.

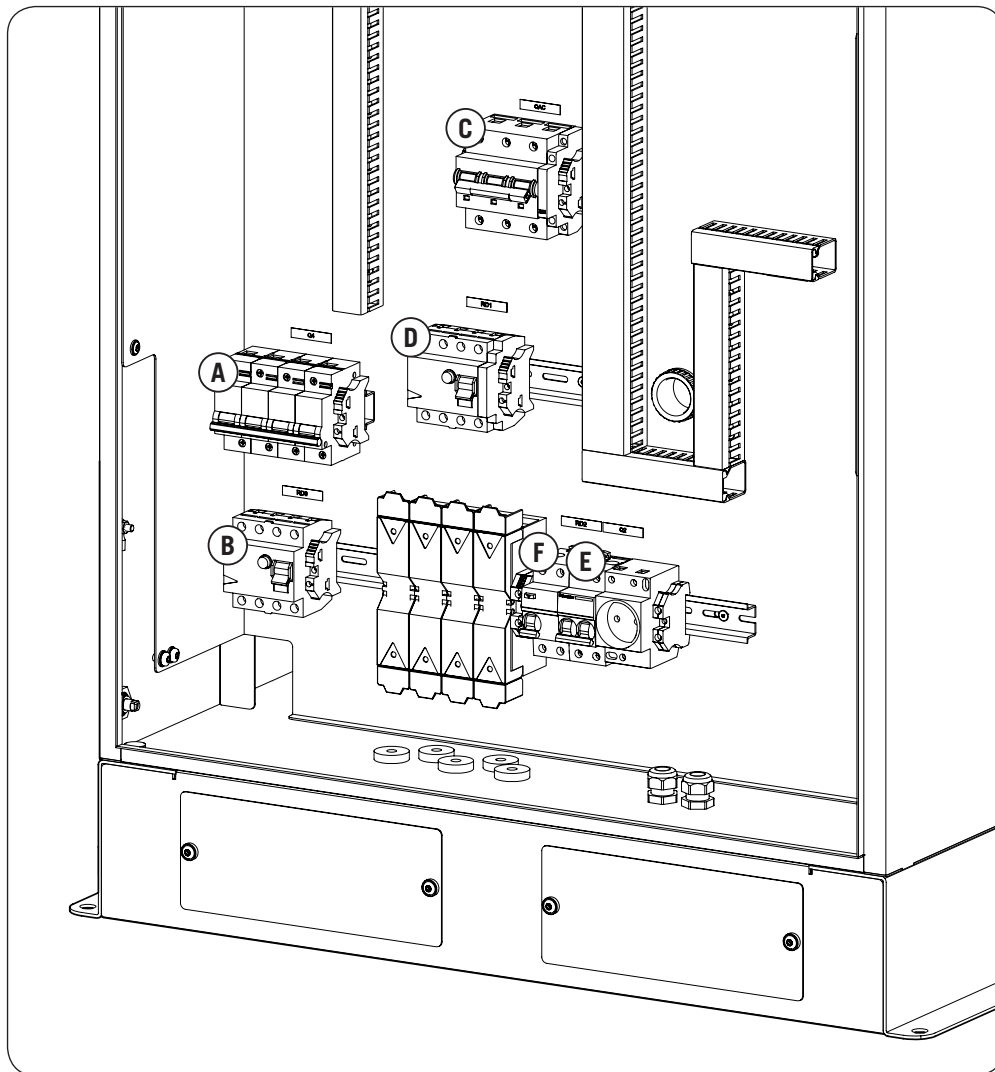
IEC 62196-2 AC Type 2



- PP: *Proximity Pilot*
- CP: *Control Pilot*
- PE: *Protective Earth*
- N: *Neutral*
- L1: *Phase 1*
- L2: *Phase 2*
- L3: *Phase 3*

2.4. Protection

This charging station has several protections, as described below.



- | | |
|---|---|
| A. Q4 (AC). 80 A Curve C thermal magnetic circuit breaker (only Trio) | D. RD1 (DC). 30 mA 100 A Type A residual current circuit breaker |
| B. RD3 (AC). 30 mA 63 A Type B residual current circuit breaker (only Trio) | E. Q2 (auxiliaries). 6 A Curve C thermal magnetic circuit breaker |
| C. QAC (DC). 100 A Curve C thermal magnetic circuit breaker | F. RD2 (auxiliaries). 30 mA 25 A Type AC residual current circuit breaker |

2.5. Accessories equipped as standard

- Ethernet communication.
- Local communication with other INGEREV stations.
- Compatible with OCPP.
- Authentication via RFID / NFC cards.
- Interface via display.
- Steel enclosure highly resistant against adverse weather conditions.

2.6. Optional accessories

These units may include the following optional accessories:

- 3G Communication.
- Wi-Fi communication.

2.7. Electrical safety

The design values for electrical safety can be found below.

2.7.1. Overvoltage category (OVC)

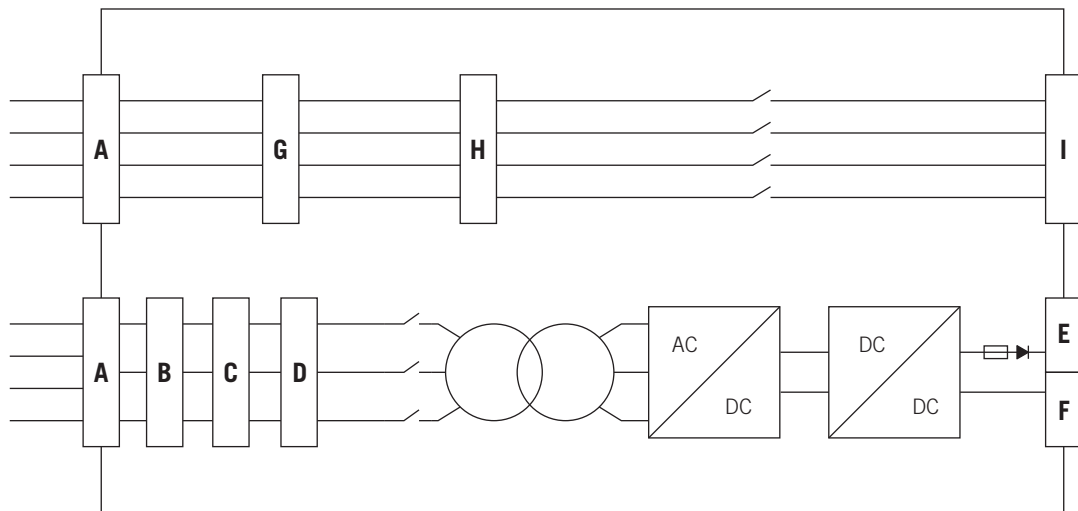
These units have been designed with OVC III in AC.

2.8. Acoustic contamination

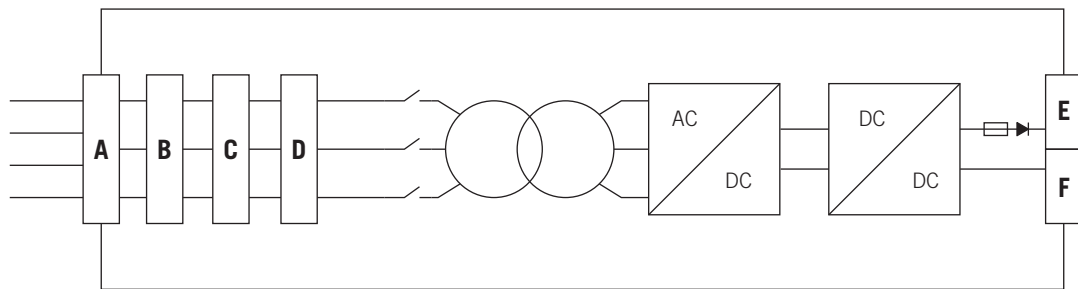
The unit produces a buzz when in operation. Do not place it in an occupied room, or on light supports which might amplify this buzz. The mounting surface must be firm and appropriate for the weight of the unit.

2.9. Electrical diagram of the system

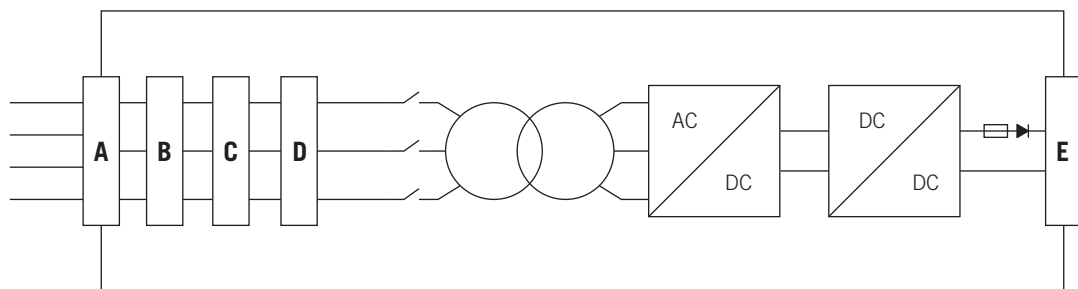
INGEREV RAPID 50 Trio



INGEREV RAPID 50 Duo



INGEREV RAPID 50 One



- | | |
|---|---|
| A. Supply | F. CHAdeMO connector |
| B. Thermal magnetic circuit breaker and residual current device | G. Thermal magnetic circuit breaker and residual current device |
| C. Wattmeter | H. Wattmeter |
| D. EMI filter | I. Type 2 AC connector |
| E. CCS connector | |

2.10. Specification table

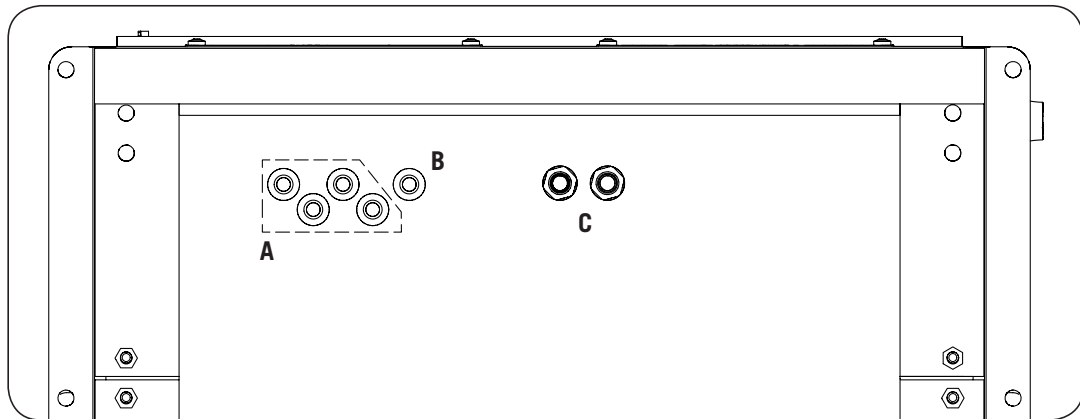
INGEREV RAPID 50 Trio / Duo / One	
AC input (for DC output)	
Voltage	Three phases + neutral + earth; 400 Vac ± 15%
Frequency	50 Hz
Rated current	77 A
Rated power	53 kVA
Efficiency	> 94%
Power factor	> 0.98
AC input (for AC output)⁽¹⁾	
Voltage	Three phases + neutral + earth; 400 Vac ± 15%
Frequency	50 Hz
Rated current	63 A
Rated power	43,5 kVA
Charging connectors	AC Mode 3 Type 2
Output (DC)	
Voltage range	50 ~ 500 V
Maximum current	125 A
Maximum power	50 kW
Charging connectors	CCS Type 2 / CHAdeMO ⁽²⁾
Regulations and safety compliance	
Standards	IEC 61851-1, IEC 61851-23, IEC 61851-24, CHAdeMO 1.0.0, DIN 70121, ISO 15118, IEC 61000
Overcurrent protection	80 A Curve C thermal magnetic circuit breaker for charging in AC 100 A Curve C thermal magnetic circuit breaker for charging in DC
Protection against indirect contacts	63 A 30 mA Type B residual current circuit breaker for charging in AC ⁽²⁾ 100 A 30 mA Type A residual current circuit breaker for charging in DC
Overvoltage protection	Type III surge arrester
General information	
Cooling system	Forced ventilation
Stand-by consumption	< 100 W
Cabling length	> 3 m ⁽³⁾
Operating temperature	-25 °C ~ 60 °C
Humidity	0 ~ 95% (without condensation)
Weight	620 kg
Dimensions	785 x 700 x 1900 mm
Protection class	IP54 / IK10 (IK08 display and ventilation grilles)
Markings	CE
Maximum altitude	Up to 2000 m

⁽¹⁾ only for Trio

⁽²⁾ only for Trio and Duo

⁽³⁾ optionally 3.8 m

2.11. Description of cable inlets



- A. AC supply. Admissible hose range 6 ~ 20 mm.
- B. Earth connection for AC supply. Admissible hose range 6 ~ 20 mm.
- C. Ethernet cabling and other uses. M20 cable gland. Admissible hose range 6 ~ 13 mm.

3. Receipt of the unit and storage

3.1. Reception

Keep the unit in its packaging until immediately before installation.

3.2. Unit identification

The serial number of the unit is its unique identifier. You must quote this number in any communication with Ingeteam.

The unit's serial number is marked on the specifications plate.

3.3. Transport damage

If the unit has been damaged during transport, proceed as follows:

1. Do not proceed with the installation.
2. Notify the distributor immediately within five days of receipt of the unit.

If ultimately the unit has to be returned to the manufacturer, the original packaging must be used.

3.4. Storage

CAUTION

Failure to follow the instructions in this section may lead to damage to the unit.

Ingeteam accepts no liability for damage resulting from the failure to follow these instructions.

If the unit is not installed immediately after reception, the following points should be taken into account in order to avoid damage:

- The unit must be stored in its original packaging.
- Keep the unit free of dirt (dust, shavings, grease, etc.) and away from rodents.
- Keep it away from water splashes, welding sparks, etc.
- Cover the unit with a breathable protective material in order to prevent condensation due to ambient humidity.
- Units in storage must not be subjected to weather conditions other than those indicated in section "2.10. Specification table".
- It is very important to protect the unit from chemical products which can cause corrosion, as well as from salty atmospheres.
- Do not store the unit outdoors.

3.5. Conservation

In order to permit correct conservation of the units, they must not be removed from their original packaging until it is time to install them.

In case of prolonged storage, use dry places, avoiding, as far as possible, sharp changes in temperature.

Deterioration of the packaging (tears, holes, etc.) prevents the units from being kept in optimum conditions before installation. Ingeteam accepts no liability in the case of failing to observe this condition.

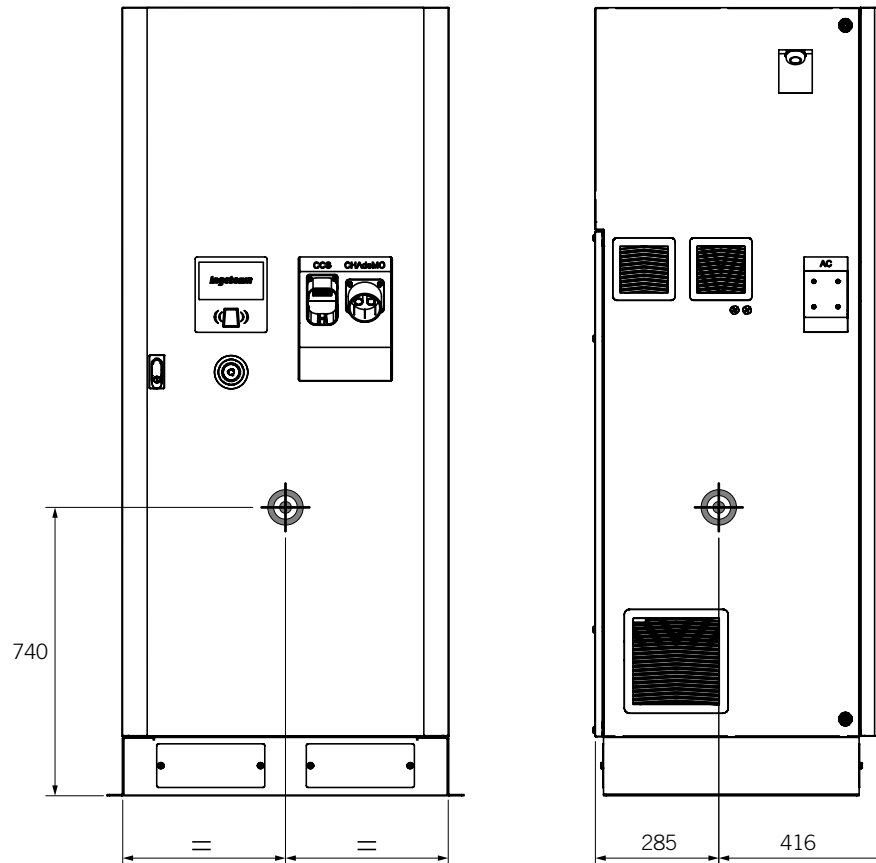
4. Equipment transport

You must protect the unit, during transport, from mechanical knocks, vibrations, water splashes (rain) and any other product or situation which may damage it or alter its behavior.

Failure to observe these instructions may lead to loss of warranty on the product, for which Ingeteam is not responsible.

4.1. Center of gravity

Bear in mind the center of gravity of the unit whenever it is moved. The approximate location of center of gravity is specified below.



4.2. Unpacking

Correct handling of the units is vitally important in order to:

- Prevent damage to the packaging which enables them to be kept in optimum condition from shipping until they are installed.
- Avoid knocks and/or falls which may harm the mechanical features of the units, e.g. cause incorrect closure of doors, loss of IP rating, etc.
- Avoid, as far as possible, vibrations which may cause subsequent malfunction.

If you observe any anomaly, please contact Ingeteam immediately.

Separating the packaging

You can deliver all the packaging to an authorized non-hazardous waste management company.

In any event, each part of the packaging may be recycled as follows:

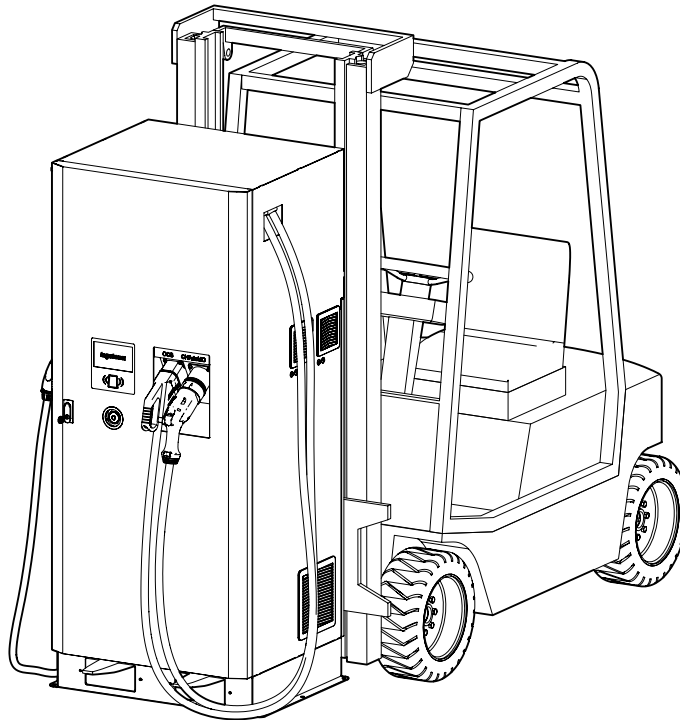
- Plastic (polystyrene, bag and bubble wrap): the appropriate container.
- Cardboard: the appropriate container.

4.3. Transport

Transport using a forklift or pallet truck

At least the following requirements should be observed:

1. Place the units centered with respect to the forks.



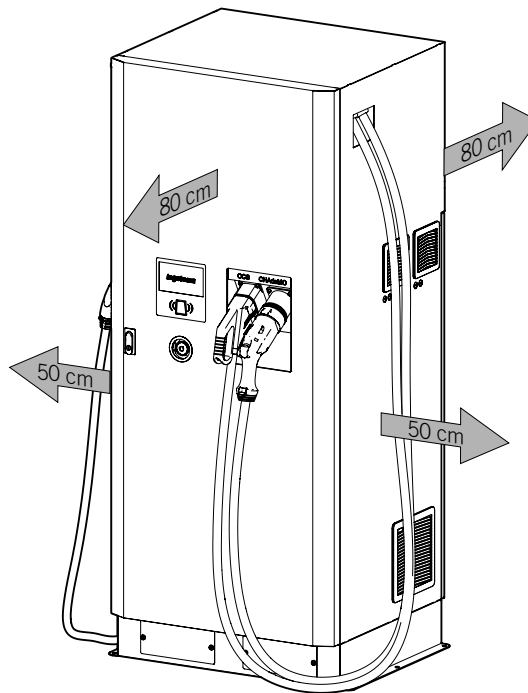
2. Try to locate them as close as possible to the part where the forks and the steering unit meet.
3. Ensure that the forks are perfectly level to avoid overturning the unit.
4. In all cases, observe the instructions in the forklift or pallet truck user manual.

5. Preparation for installing the unit

When deciding the location of the unit and planning your installation, you must follow a set of guidelines based on the specifications of the unit. These guidelines are summarized in this chapter.

5.1. Environment

- These units can be installed indoors and outdoors.
- Situate the units in a place that is accessible for installation and maintenance work and which allows access to the control panel.
- Avoid corrosive environments that may affect the proper operation of the unit.
- Do not leave objects on top of the unit or its sides, as they may block the ventilation and cause high temperatures.
- Do not expose it to direct sunlight.
- Do not install the units in inhabited rooms, due to the noise produced during operation.
- If they are installed inside a closed space (room, hut, etc.), provide adequate ventilation. The operating range of the units depends on the environmental temperature, therefore a lack of ventilation may limit their capacity.
- If more than one unit is installed, make sure the hot air extraction of one does not interfere with the correct ventilation of another, leaving a lateral separation of at least 2 meters.
- Keep the following minimum distances free of obstacles.



5.2. Environment

- Place the units in a place that is accessible for installation and maintenance work and which allows operating through the TFT display.
- The air vents and part of the power module can reach high temperatures. Do not place any material nearby which is sensitive to high air temperatures.
- Avoid corrosive environments that may affect its proper operation. Do not install the unit in areas classified as ATEX.
- Never place any object on top of the unit.
- It is recommended to place the units under a cover that protects them from direct radiation, placing the front part facing north in the Northern Hemisphere and facing south in the Southern Hemisphere.

5.3. Environmental conditions

Environmental conditions must be taken into account when choosing the location of the unit.

Environmental conditions	
Minimum temperature	-20 °C
Minimum surrounding air temperature	-20 °C
Maximum operating temperature	60 °C ⁽¹⁾
Maximum relative humidity without condensation	95%
Altitude	2000 m ⁽²⁾

⁽¹⁾ The operation of the unit at temperatures greater than 50 °C should only occur occasionally and not permanently. Ingeteam is not responsible for the consequences to the unit resulting from operating it at temperatures higher than 50 °C.

⁽²⁾ At altitudes higher than 1000 m, please contact Ingeteam.

It should be borne in mind that moderate condensation may occasionally occur as a consequence of temperature variations. For this reason, apart from the unit's own protection, it is necessary to monitor these units once they have been started up on sites where the conditions described above are not expected to be present.

In the event of condensation, never apply voltage to the unit. To remove condensation apply a flow of hot air at a maximum temperature of 60 °C.

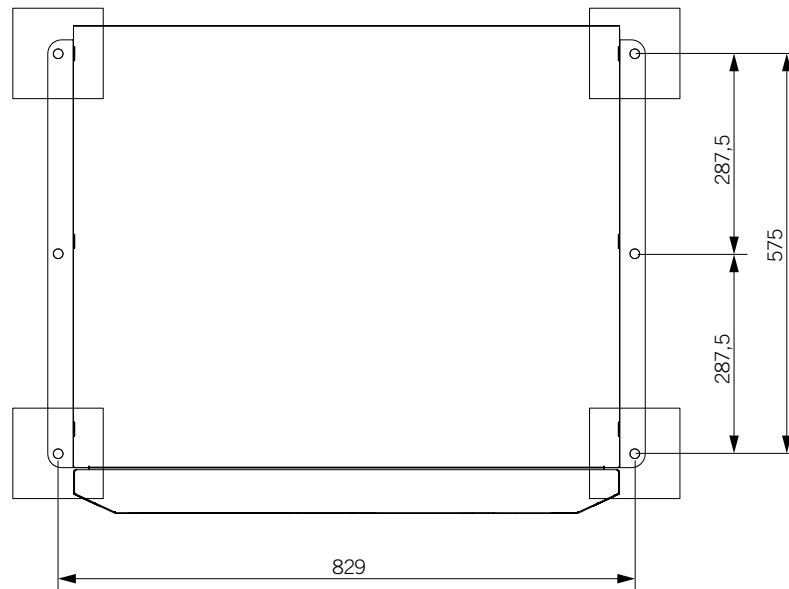
INFO

Ingeteam does not guarantee the proper operation of the equipment if the operation conditions for which it has been designed are not fulfilled.

5.4. Supporting Surface and Fastening

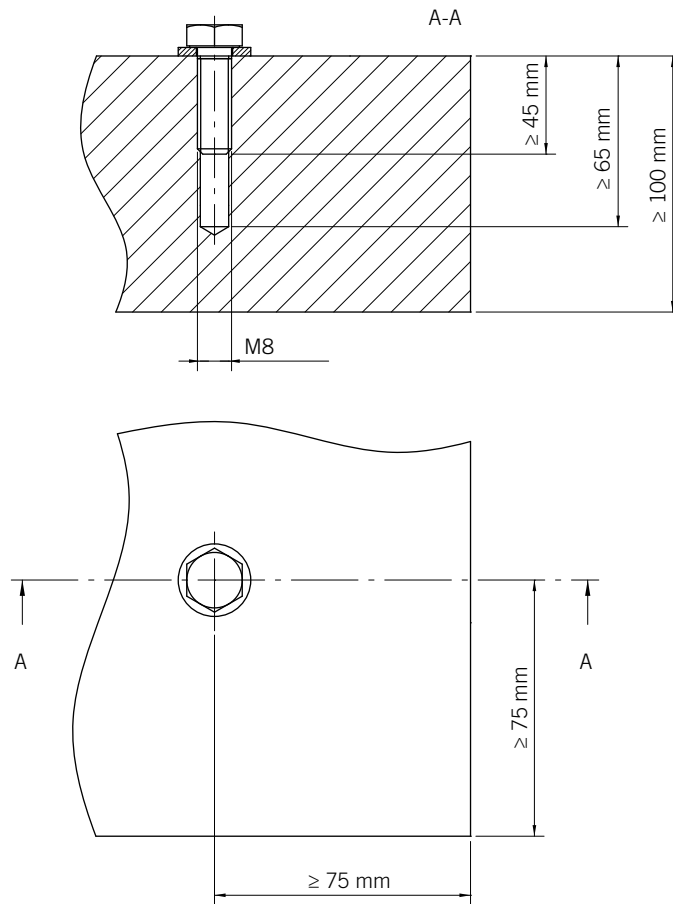
The unit's weight requires a firm base for support, completely horizontal and leveled, assuring proper water drainage and avoiding water accumulation.

To perform the installation calculations it is necessary to take into account the loads that affect the environment conditions, according to the country's regulations, as well as the center of gravity specified in section "4.1. Center of gravity". Below are the four minimum required supports.



You must follow the following stipulations when choosing the place where the unit is to be bolted in:

- Minimum distance from the center of the bore to the edge of the concrete pad: 75 mm.
- Diameter of the hole drilled in the concrete pad: 8 mm.
- Minimum depth of the hole drilled in the concrete pad: 65 mm.
- Minimum thickness of the concrete pad: 100 mm.
- Minimum depth of anchoring bolt: 45 mm.
- Minimum tensile strength: 7.7 kN. Security coefficient 1.5.
- Minimum shear strength: 9.3 kN. Security coefficient 1.25.



5.5. Fuse requirements

⚠ CAUTION

Ingeteam uses the Bussmann PV-160ANH1 fuse with 1000 Vdc - 160 A - 50 kA and the Bussmann SD 1-D-PV fuse holder. If replacing the fuse for another one, take into account the specifications of the installed fuse and fuse holder when choosing, and adopt the protection values of the standard fuse as a minimum.

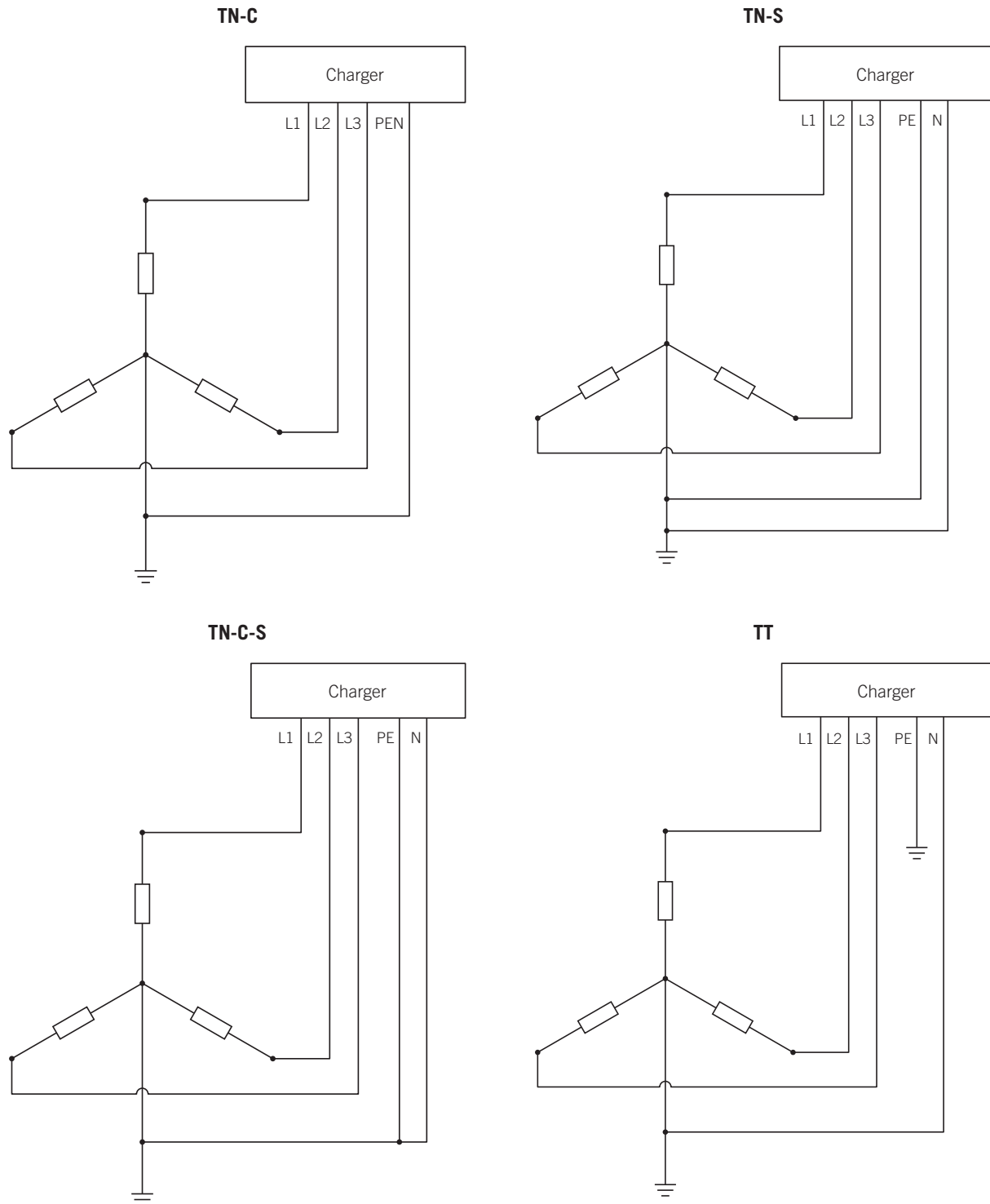
Ingeteam accepts no responsibility for the incorrect choice of fuse in case of replacing the original.

5.6. Type of grid

These units must be connected to a three-phase grid with a star formation with grounded neutral. Therefore, admissible grounding systems are TT and TN.

They cannot be connected to IT grids or delta grids with one of their lines grounded.

The connections from the three-phase grid (L1, L2, L3 and N) and its ground (PE) must go to the unit.



5.7. Cabling length

The charger measures the voltage in its connection terminals. For this reason, the installer must use an AC cable with a sufficiently low impedance so that increasing the voltage in the cable (between the distribution transformers and the unit) does not cause the unit to be disconnected due to low voltage.

5.8. External disconnection device

The AC supply must be shut off for equipment inspection work. To do this, the installer must fit an external disconnection device.

5.9. Medium voltage transformer

In installations where the use of a medium voltage transformer dedicated to the chargers is required, this transformer must meet the following requirements:

- The transformer must have a rated power equal to or greater than the sum of the power of the chargers installed downstream.
- The transformer must have a star configuration in the low-voltage side and a delta configuration in the high-voltage side.
- In the low-voltage side, the neutral terminal must be accessible and connected to ground.
- It is recommended to use transformers with $U_{cc} < 6\%$.
- It is recommended to use transformers equipped with five-point voltage regulators (0, ± 2.5 , $\pm 5\%$).
- The transformer low-voltage side must withstand an earth fault current at three times the grid frequency in the range of 10 Arms/MVA.
- The dimensioning of the transformer must take into account:
 - The voltage and frequency characteristics (and their tolerances) of the connection point.
 - The regulations of the country where it is to be installed.
 - The environmental factors of the installation location (temperature, humidity, altitude, etc.).
- The transformer is an essential part of the installation; its features must be taken into account when designing the necessary downstream protections.

6. Installing the unit

Before installing the unit, the packaging must be removed, taking special care not to damage the housing (see section “4.2. Unpacking”).

Check that there is no condensation inside the packaging. If there are signs of condensation, the unit must not be installed until you are sure it is completely dry.

⚠ CAUTION

All installation operations must comply with current regulations.

All operations involving moving heavy weights must be carried out using the required mechanical means (crane, hoist, etc.).

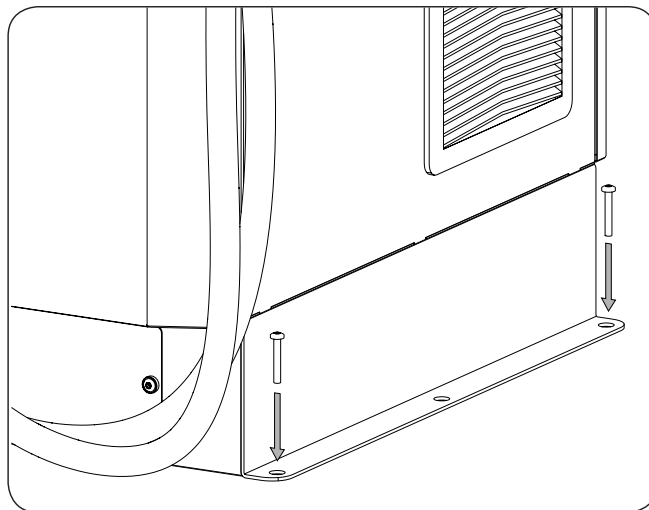
EN
ES
FR
IT

6.1. General requirements for installation

- The environment of the unit must be appropriate and meet the guidelines described in chapter “5. Preparation for installing the unit”. Additionally, the parts used in the rest of the installation must be compatible with the unit and comply with the applicable legislation.
- The ventilation and workspace must be suitable for maintenance tasks according to the applicable regulations in force.
- The external connection devices, which must be suitable and sufficiently close as set forth in current regulations.
- The feed cables must be of the appropriate gage for the maximum current.
- Special care must be taken to ensure that there are no external elements near the air inlets and outlets that obstruct proper cooling of the unit, respecting the distances indicated in section “5.1. Environment”.

6.2. Fastening the unit

To fasten the unit, bolt a series of bolts to the ground via the dedicated holes on the sides of the lower base.



Follow these steps:

1. Mark the fixing points on the floor.
2. Drill the ground with a proper bit.
3. Bolt through the base's holes.
4. Check that the unit properly secured.

Once the unit has been installed correctly, the connection process will begin.

Make the connections in the following order:

1. Connection of accessories (optional).
2. AC connection.

 **CAUTION**

It is mandatory to follow the order described above. Do not switch on the power until you have made all the connections and closed the unit.

7. Connection of accessories

This chapter explains the process for wiring the standard and optional accessories to the unit.

Read carefully before starting the connection process.

7.1. Safety instructions for connecting accessories

⚠ DANGER

Make sure there is no voltage present on the unit before starting the connection.

Do not switch on the power to the unit until you have successfully made the rest of the connections and the unit is closed.

Use the Personal Protective Equipment specified in section “*Personal Protective Equipment (PPE)*”.

⚠ CAUTION

Ingeteam accepts no liability for any damages caused by an incorrect connection.

7.2. Ethernet communication

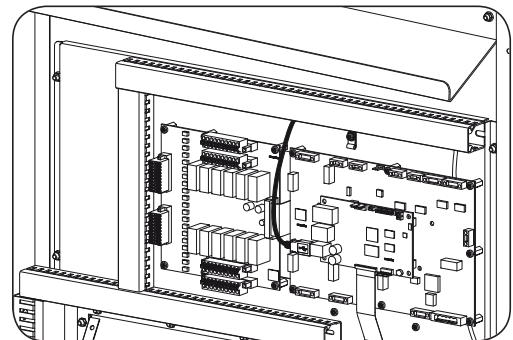
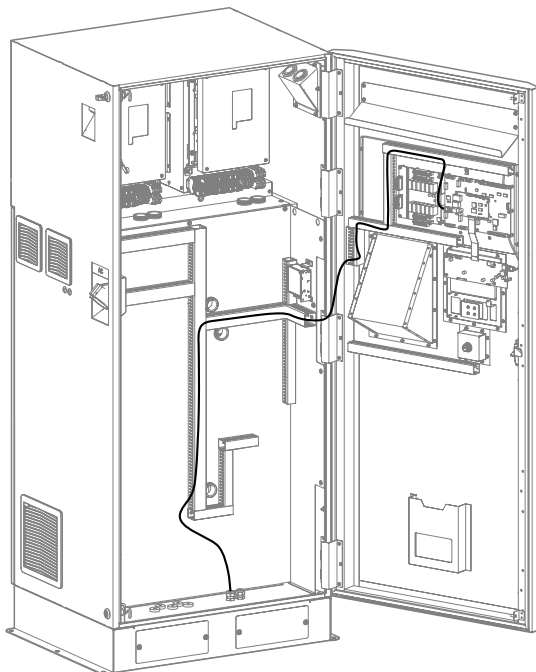
7.2.1. Cabling requirements

For Ethernet communication, use a cable with a diameter of 4 to 6 mm.

7.2.2. Connection process

To make the connection, follow this order:

1. Introduce the Ethernet cabling through the corresponding gland in the lower cable access area.
2. Guide the cabling through the ducts as shown in the following figure.



3. Insert the RJ45 connector in the card.
4. Press the cable gland to ensure it is sealed, making sure that the cabling is not taut.

8. AC connection

This chapter explains the requirements and process for connecting the AC cabling to the unit.

Read carefully before starting the connection process.

INFO

Consult section “*Important safety instructions*” and the following instructions before working on the unit.

8.1. Safety instructions for the AC connection

DANGER

Make sure there is no voltage present on the unit before starting the AC connection.

Do not switch on the power to the unit until you have successfully made the rest of the connections and the unit is closed.

Use the Personal Protective Equipment specified in section “*Personal Protective Equipment (PPE)*”.

During the connection, make sure of the proper installation of the cables on the unit's terminals so that parts of accessible wires do not remain live.

Respect the polarity of the AC wiring.

CAUTION

Ingeteam accepts no liability for any damages caused by an incorrect connection.

8.2. Wiring requirements for the AC connection

To guarantee the safety of persons, for the unit to function correctly and comply with the applicable standards, the unit must be connected to the ground of the installation.

If the charger and the grid connection point are far enough apart to require the use of cables with a larger gage, an external distribution box should be used close to the charger to make this connection.

The AC connection must be made using single-pole cables. A total of five cables are used: three phases, neutral and ground. The conductor material may be copper or aluminum.

CAUTION

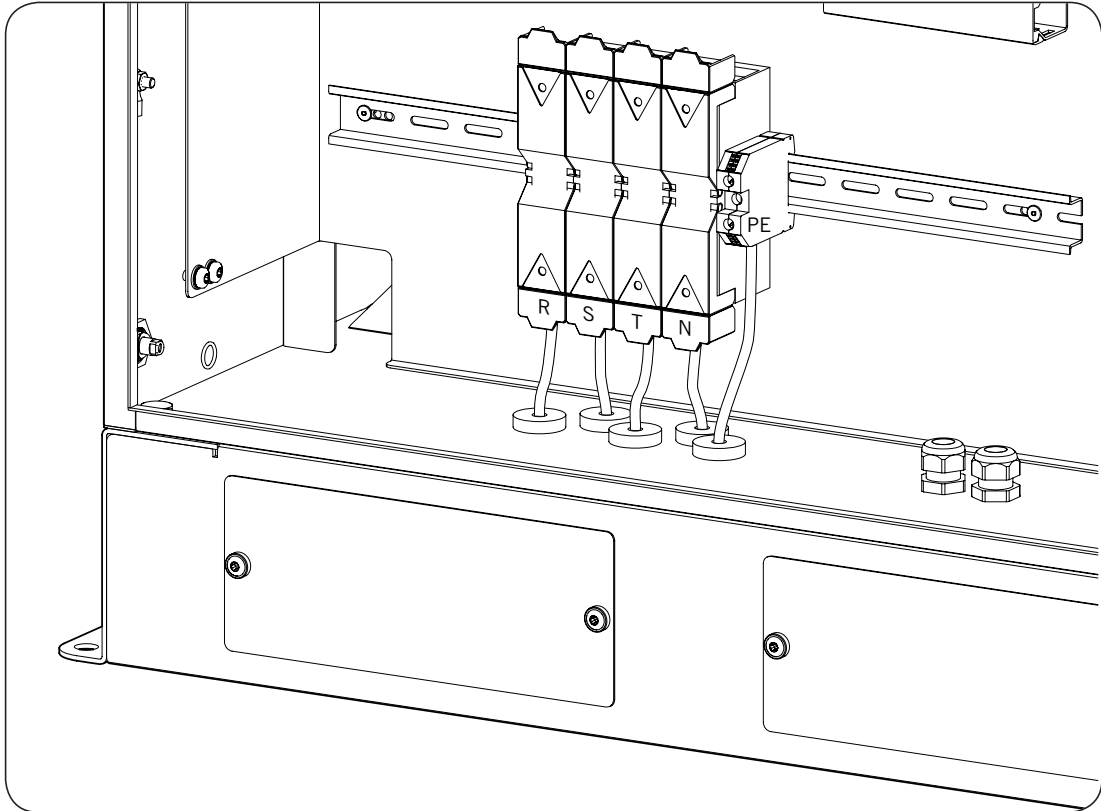
If using aluminum cables, the installer must provide the necessary means to prevent galvanic coupling (bipolar terminals, bimetallic interfaces, etc.).

The dimensioning of the ground wiring will be the responsibility of the installer and must meet applicable regulatory requirements in the installation.

The AC input admits a cable section of between 10 mm² and 70 mm². The minimum and maximum input cable diameter is 6 to 20 mm. The cables must finish in an M8 spade terminal. The maximum width of the spade must not exceed 28 mm.

8.3. AC connection process

1. Insert the wiring through the cable inlets provided in the lower part of the charger.
2. Connect the three phases, neutral and ground to the terminals marked R, S, T and N and to the grounding bar PE.



The following table includes the tightening torques to be applied to the connection.

Tightening torques to apply	
Connection	Tightening torque
Terminals R, S, T, N	5 Nm
Grounding bar PE	10 Nm

3. Check the correct position of the cable grommet membrane and ensure the cabling is not taut.

9. First connection to the electric grid

This chapter details the process for the charger's first connection to the grid.

First review the unit.

9.1. Unit inspection

You must check the correct condition of the installation before start-up.

Each installation is different, depending on its characteristics, the country in which it is located or other special conditions which may apply. In all cases, before starting up, it is necessary to ensure that the installation complies with the applicable legislation and regulations and that at least the part to be started up is complete.

9.1.1. Inspection

Before connecting the charger to the grid for the first time you must carry out a general inspection, which mainly consists of:

Wiring inspection

- Check that the cables are correctly joined to their connectors.
- Check that these cables are in a good condition and that there are no hazards in their environment which damage them, such as sources of intense heat, objects which could cut them or arrangements which put them at risk of impacts or pulling.

Review the unit's fastening

Check that the unit is secured firmly and is not at risk of falling.

9.1.2. Hermetic sealing of the unit

Ensure during installation operations that the unit's level of sealing has not been altered during connection operations.

Check the correct adjustment of the connectors and that any cable grommets are well sealed.

10. Configuration

A local connection is required to configure the unit for the first time. Once this first configuration has been carried out, a remote connection can also be established. The processes for each case are described below.

The configuration is done through the INGEREV WEB Manager application.

10.1. Local connection

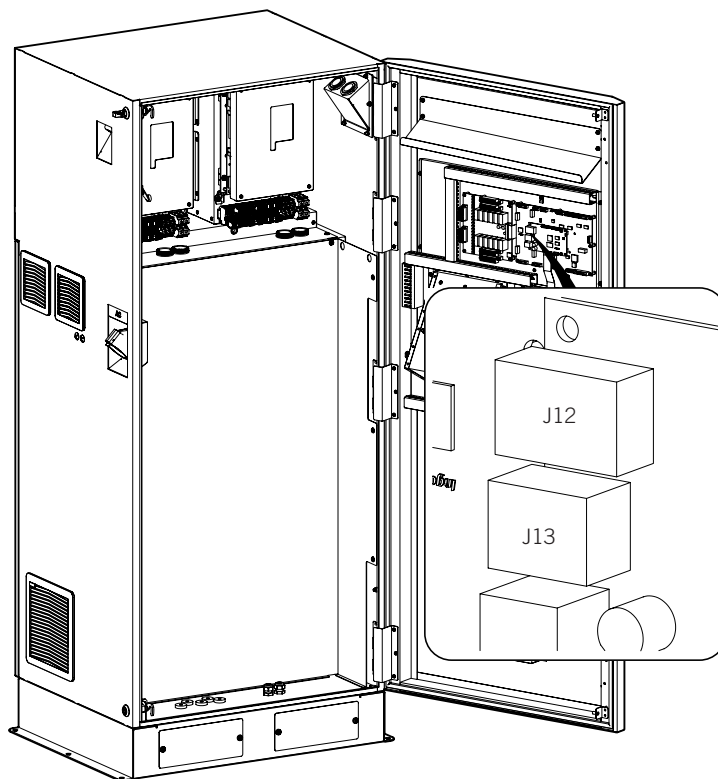
To establish a local connection the charger and computer must be connected to the same communication network.

The local connection can be done through an Ethernet or Wi-Fi network.

10.1.1. Local connection via Ethernet

To make the connection, follow these steps:

1. Connect the computer to the unit using one of the available Ethernet connectors (J12 or J13).



2. On the laptop computer, open the web browser and open <http://SerialNum:8080>, where *SerialNum* corresponds to the unit's serial number (for example, <http://6H0576543210:8080>). The serial number is the unit's unique identification and is located on the specifications plate.
3. Enter the username and password. The username and password are specified on the green card delivered with the unit.
4. Follow the instructions given by INGEREV WEB Manager.

CAUTION

Certain operating systems may reject the above URL due to their settings. In these cases, proceed as follows:

1. Connect the laptop computer to the unit's J12 connector using an Ethernet cable. The J13 connector does not allow this access method.
2. In a web browser access <http://192.168.1.33:8080>.
3. Follow the steps given in the browser to carry out the configuration process.

10.1.2. Local connection via Wi-Fi

By default the unit is configured in *Access Point* mode. This means that it creates as Wi-Fi network that allows connections from devices such as laptop computers, tablets or smartphones.

To make the connection, follow these steps:

1. Connect the device to the network created by the charger. The network name will be the same as the unit's serial number.
2. On the device, open the browser and open <http://192.168.2.1:8080>.
3. Enter the username and password. The username and password are specified on the green card delivered with the unit.
4. Follow the instructions given by INGEREV WEB Manager.

10.2. Remote connection

The purpose of remote connection is to have access to the charger when the charger and the computer are connected to the Internet from different communication networks. The charger must be connected to the Internet via Wi-Fi, Ethernet or 3G.

To make the connection, follow these steps:

1. With the charger and the computer connected to the Internet, open the web browser and open *http://www.ingerev.com/SerialNum*, where *SerialNum* corresponds to the unit's serial number (for example, *http://www.ingerev.com/6H0576543210*). The serial number is the unit's unique identification and is located on the specifications plate.
2. Enter the username and password. The username and password are specified on the green card delivered with the unit.

11. Using the unit

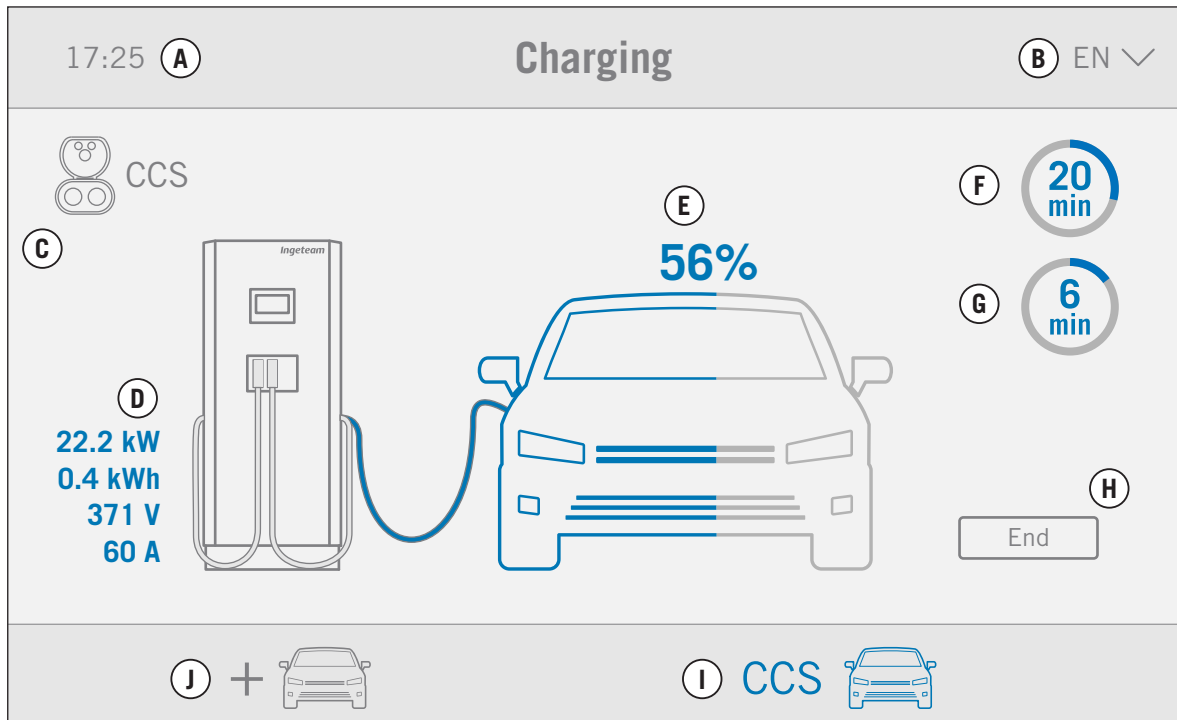
The charger's operation is managed through the display.

In the INGEREV RAPID 50 Trio it is possible to charge two vehicles at the same time. Both charging sessions can be viewed on the display independently.

In order to manage the charging process, follow the instructions shown on the display.

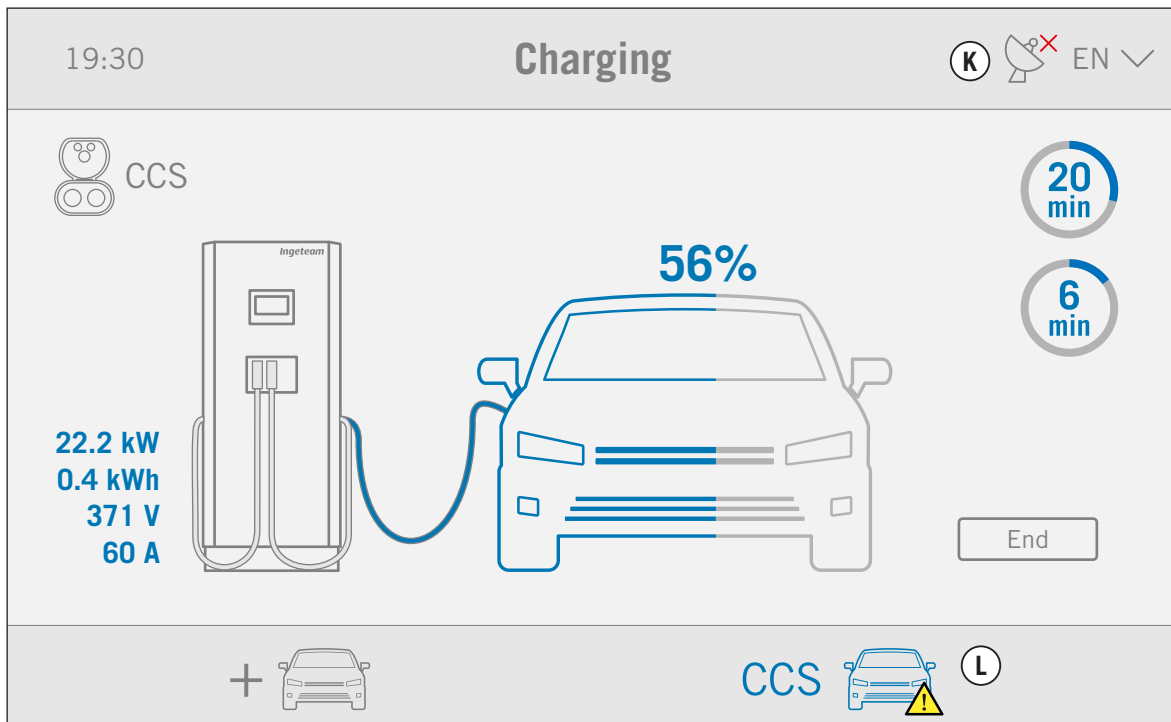
11.1. Charging screen

The charging screen displays the following information:



- | | |
|---|--|
| A. Time | G. Time remaining to complete the charge |
| B. Language selection | H. End charge button |
| C. Selected socket | I. Charge session selection |
| D. Power, energy used, voltage and charging current | J. Button for adding a charge session where possible. If two charge sessions are open, one or the other can be selected from the bottom bar. |
| E. Charge status | |
| F. Time since the start of the charge | |

If there is a warning it will be displayed as follows:



K. Communication error. The station has lost the connection with the Internet or with the central manager.

L. Exception in the indicated charge session. In this case it is indicating an incident in charge session number 2.

11.2. Charging process

The charging process is described below.

1. Where charging is already taking place at the station, the first step consists of adding a vehicle using the display (otherwise, this step is not necessary). The charging station can perform two charging processes at once: AC and CCS or AC and CHAdeMO. Simultaneous CCS and CHAdeMO charging is not possible. Press the following icon:



2. Select the socket required according to the equipment characteristics. The available sockets will be displayed on the screen.
3. User identification by card is then requested. Place the card near the reader located at the bottom of the display.
4. Details of the applicable rates are shown.
5. Connect the vehicle to the charging station.
6. The charging process starts.
7. Once charging is complete, press *End* and follow the process indicated on the display.

12. Troubleshooting

⚠ CAUTION

Station troubleshooting must be performed by qualified personnel in compliance with the general safety instructions in this manual.

12.1. Alarms

Alarm	Description	Solution
Emergency push-button	The emergency stop button is pressed	Release the emergency stop button
Connector lock fault	Fault in the connector lock	Disconnect the connector and check its functionality and integrity. If the problem persists, contact Ingeteam.
EV communication error	Error in the charging station-electric vehicle communication	Restart the charge process. If the problem persists, contact Ingeteam.
Insulation fault	Insulation impedance below limits	Disconnect the connector from the vehicle. Check if the insulation fault has disappeared. If this is the case, the fault is caused in the vehicle, therefore it must be inspected at your regular workshop. If the insulation fault persists, contact Ingeteam.
Temperature out of range	The charging station temperature is out of operating range	Check that the radiators are clean and that the fans function correctly. Protect the unit from direct exposure to sunlight. Ensure the ambient temperature is within the operating range.
RFID reader error	Fault in card reader	Hold the card near the RFID reader. If the problem persists, contact Ingeteam.
Network out of range	AC grid voltage or frequency out of the defined range	Verify that the wiring is correct. Check connections. Check that the voltage or frequency of the electric grid is within range.
Device fault	A parameter in the charger is outside the operating range	If the fault is temporary, it will disappear automatically. If it persists, write down the code displayed and contact Ingeteam.

EN
ES
FR
IT

13. Shutting down the unit

This section describes the procedure to shut down the unit. If you wish to work inside the unit, you must carry out these instructions in the order shown here to remove the power.

1. If there is an active charge process, finalize the charge session.
2. Press the emergency stop button.
3. Remove AC voltage from a means of disconnection outside the unit.
4. Wait 10 minutes for the internal capacitances to discharge, the hot parts which may cause burns to cool and the fan blades to stop turning.
5. Open the unit and, using the appropriate PPE, check the absence of voltage in the AC input.
6. Signal cut-off point with a sign reading "*Caution no switching...*". If necessary, rope off the work area.

14. Maintenance

CAUTION

The recommended maintenance tasks must be carried out at least annually, except where otherwise stated.

14.1. Safety conditions

DANGER

All the maintenance checks included here must be carried out with the machine stopped, under safe conditions for handling, including those specified by the client for these types of operation.

An open housing never implies an absence of voltage in the unit, so only qualified personnel may access the unit, following the safe operation guidelines stipulated in this document.

Before opening the unit, you must remove the power (see section “13. Shutting down the unit”).

Make sure there is no voltage present on the unit before starting maintenance operations.

When carrying out maintenance work on the unit, you must wear the personal protective equipment specified in section “Personal Protective Equipment (PPE)” of this document.

CAUTION

You must consider the set of conditions listed below as minimum requirements.

Ingeteam accepts no liability for any damages caused by improper use of the equipment. You must propose in advance to Ingeteam any work carried out on any equipment which implies a modification of the original electrical arrangements. These must be studied and approved by Ingeteam.

INFO

The wiring must be routed inside the unit via a conduit, which is inserted through a coupling in order to maintain the unit's protection class.

14.2. Condition of hoses and charging connectors

Check the condition of the hoses and connectors. They should not have dents or cuts. Check the proper operation of the connectors.

14.3. Condition of the housing

You must carry out a periodical inspection of the condition of the enclosure, verifying the condition of the locks and the door, as well as the anchoring of the units to the ground. In addition, you must check the condition of the housing and the absence of dents or scratches that might degrade the housing or cause it to lose its protection classification. If these types of defect are noticed, the affected parts must be repaired or replaced.

14.4. Condition of cables and terminals

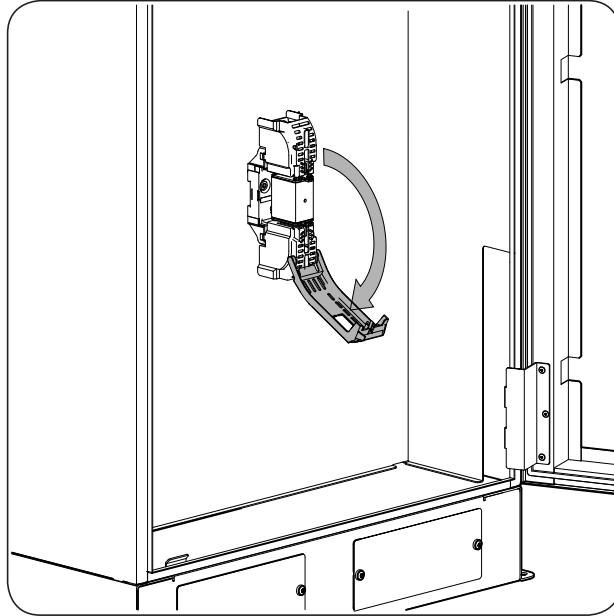
You must perform an annual inspection of the cable and terminals conditions:

- Check the correct path of the cables so they do not come into contact with live parts.
- Check the insulation deficiencies and hot spots by checking the color of the insulation and terminals.
- Check that the connections have the correct tightening torque.

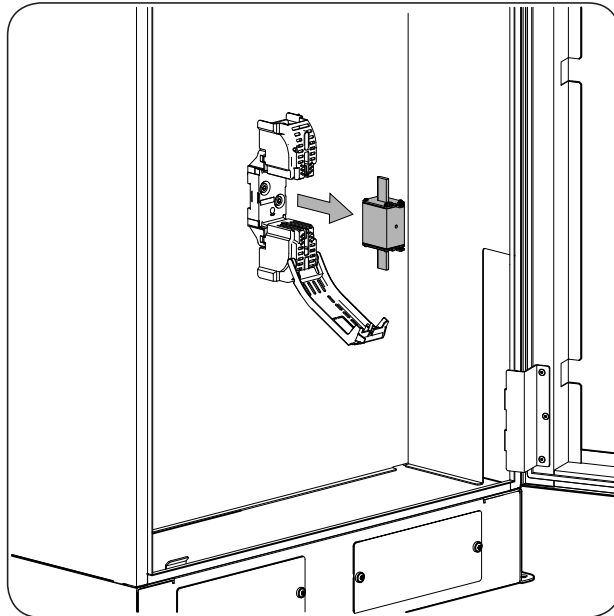
14.5. Changing the fuse

If the fuse needs to be changed, follow the order below:

1. With the charger door open, access the fuse area and open the fuse holder.



2. Remove the fuse.



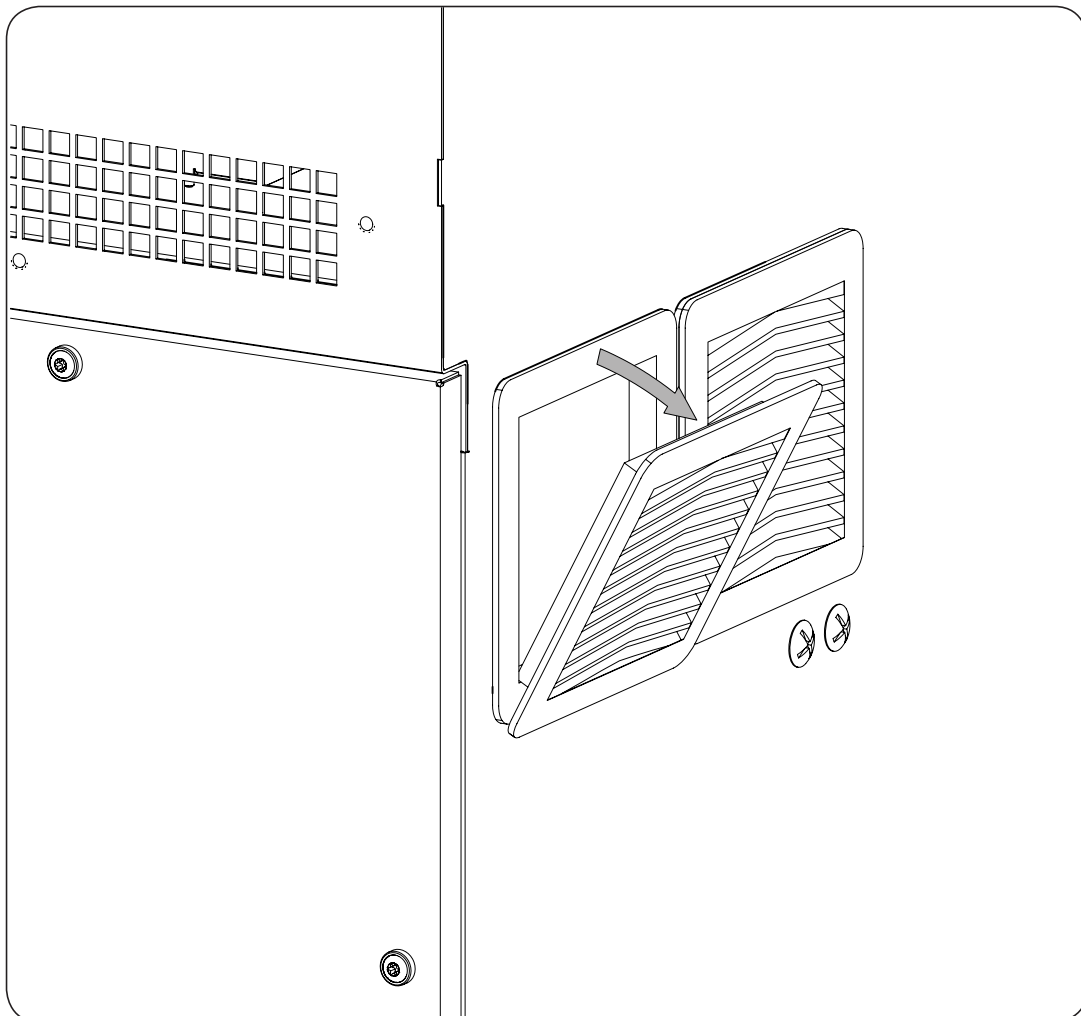
3. Install the new fuse.
4. Close the fuse holder.

⚠ DANGER

The unit may be damaged if the fuse is inserted into the fuse holder incorrectly.

14.6. Cleaning or replacing filters

Remove and clean the filters on the unit ventilation grilles. In the case of damage, replace with equivalent new filters, class G4 IP55.



EN

ES

FR

IT

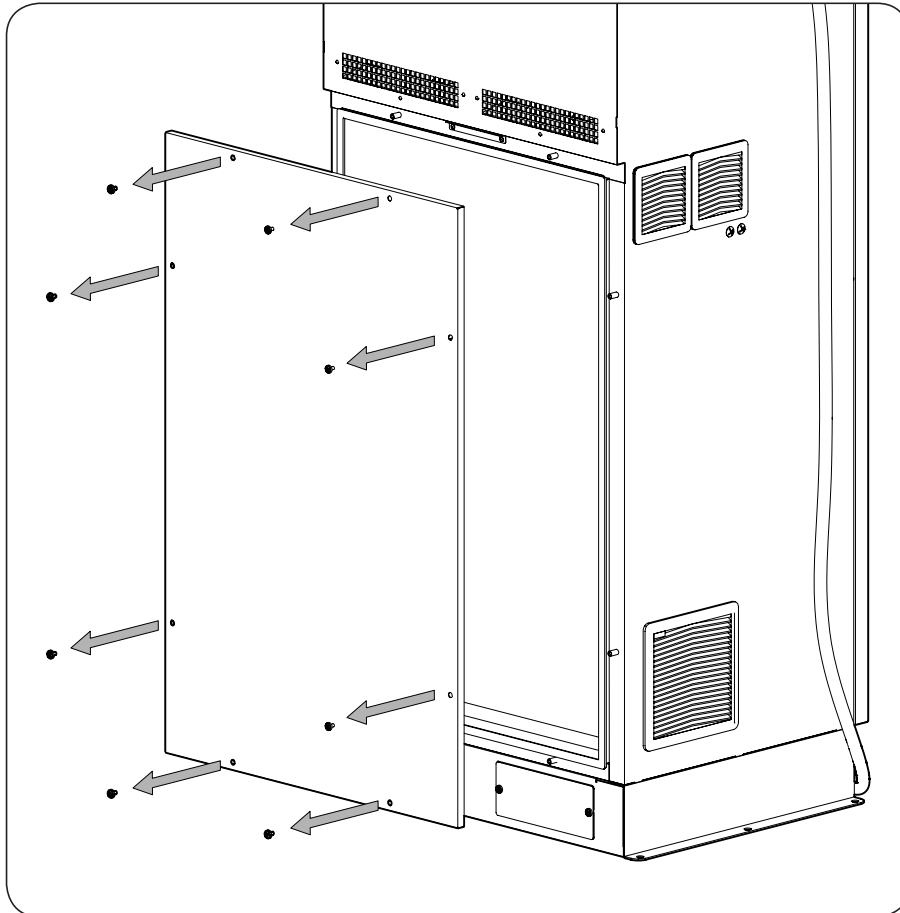
14.7. Changing the fans

This charger is equipped with four fans on the sides, which are necessary for its proper cooling.

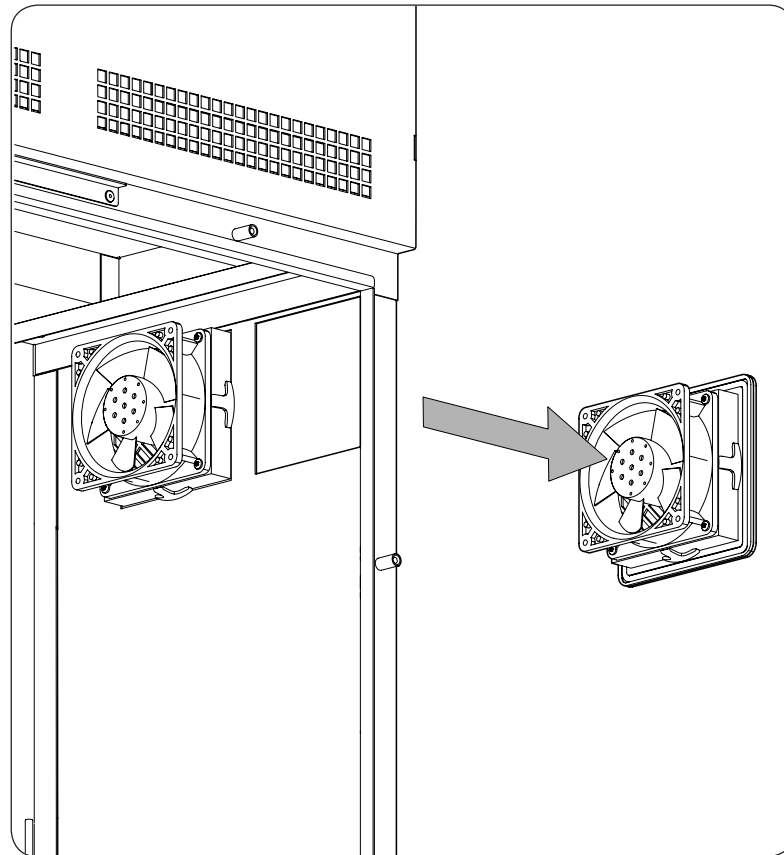
The estimated life of these fans depends mainly on the ambient temperature conditions. In average operating conditions it is estimated that they could last 10 years.

It is recommended to replace the fans after this time. To do this, take the following steps:

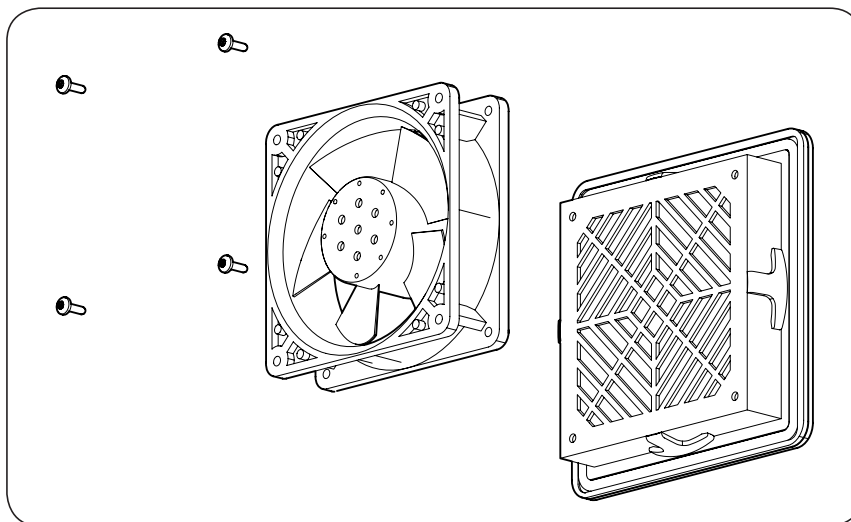
1. Remove the rear cover from the charging station.



2. Unlock the fan-filter holder assembly from inside the station. Take care with the fan wiring.



3. Remove the fastening bolts from the fan.



4. Disconnect the fan wiring.
5. Replace with the new fan and follow the instructions in reverse order to complete the installation.

15. Waste handling

These units use components that are harmful to the environment (electronic cards, batteries or cells, etc.).

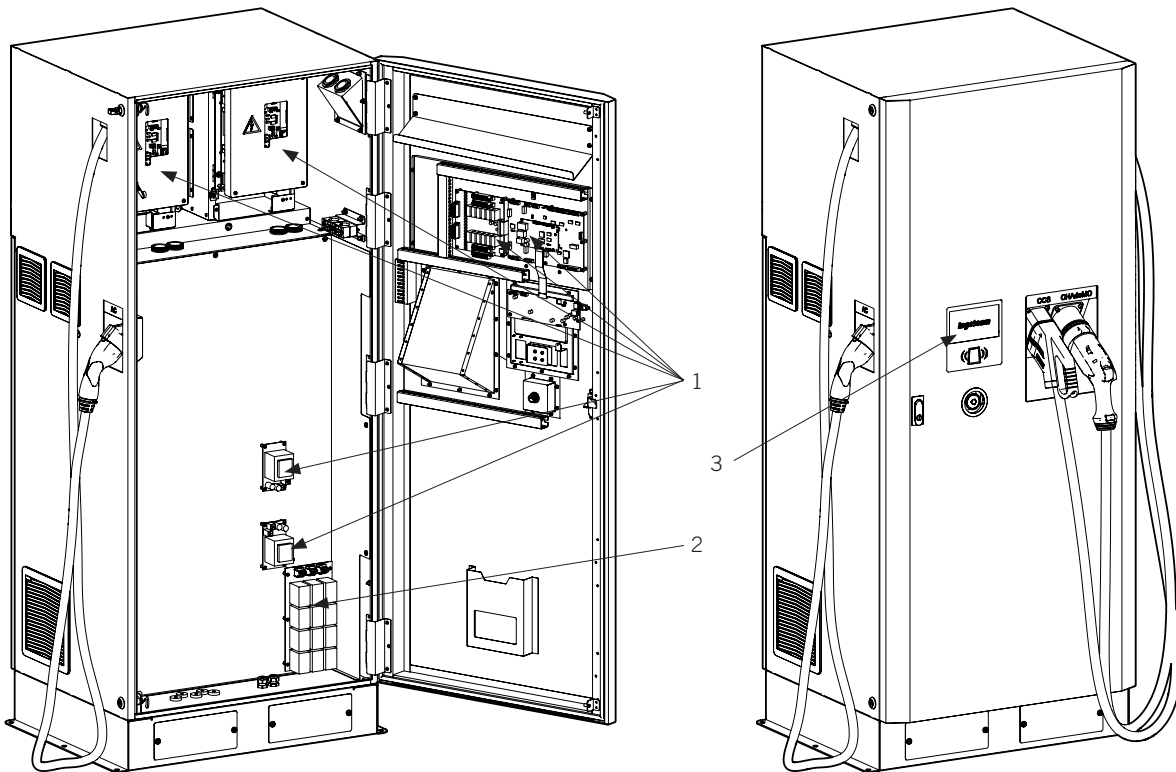


At the end of the unit's life, the waste must be correctly processed by an authorized hazardous waste management company.

Ingeteam, in accordance with its policy of respect for the environment, will inform the authorized manager, via this section, of the location of components to be decontaminated.

The elements within the unit that must be handled individually are:

1. Printed circuit board cards.
2. Electrolytic condensers or condensers containing PCB
3. Display.



Condiciones importantes de seguridad

A lo largo de este apartado se detallan los avisos de seguridad así como el Equipo de Protección Individual o las simbología utilizada en el equipo.

Condiciones de seguridad

Avisos generales

PELIGRO

La apertura de la envolvente no implica la ausencia de tensión en su interior.

Existe peligro de descarga eléctrica incluso después de desconectar la red.

Sólo podrá abrirla personal cualificado siguiendo las instrucciones de este manual.

Queda terminantemente prohibido acceder al interior del cuadro eléctrico por cualquier otro punto que no sean las puertas de acceso dispuestas para tal efecto. Siempre se accederá sin tensión.

ATENCIÓN

Las operaciones detalladas en el manual sólo pueden ser realizadas por personal cualificado.

La condición de personal cualificado a la que se refiere este manual, será como mínimo aquella que satisfaga todas las normas, reglamentos y leyes en materia de seguridad aplicables a los trabajos de instalación y operación de este equipo.

La responsabilidad de designar al personal cualificado siempre recaerá sobre la empresa a la que pertenezca este personal, debiendo decidir qué trabajador es apto o no para realizar uno u otro trabajo para preservar su seguridad a la vez que se cumple la legislación de seguridad en el trabajo.

Dichas empresas son responsables de proporcionar una adecuada formación en equipos eléctricos a su personal, y a familiarizarlo con el contenido de este manual.

Se recuerda que es obligatorio cumplir toda la legislación aplicable en materia de seguridad para el trabajo eléctrico. Existe peligro de descarga eléctrica.

El cumplimiento de las instrucciones de seguridad expuestas en este manual o de la legislación sugerida no exime del cumplimiento de otras normas específicas de la instalación, el lugar, el país u otras circunstancias que afecten al equipo.

El conjunto de condiciones que se detallan a lo largo de este documento deben considerarse como mínimas. Siempre es preferible cortar la alimentación general. Pueden existir defectos en la instalación que produzcan retornos de tensión no deseados. Existe peligro de descarga eléctrica.

Según normativa básica de seguridad, todo el equipo deberá ser adecuado para proteger a los trabajadores expuestos contra el riesgo de contactos directos e indirectos. En cualquier caso las partes eléctricas de los equipos de trabajo deberán ajustarse a lo dispuesto en la normativa específica correspondiente.

Según normativa básica de seguridad, la instalación eléctrica no deberá entrañar riesgo de incendio o explosión. Los trabajadores deberán estar debidamente protegidos contra los riesgos de accidente causados por contactos directos o indirectos. La instalación eléctrica y los dispositivos de protección deberán tener en cuenta la tensión, los factores externos condicionantes y la competencia de las personas que tengan acceso a partes de la instalación.

Para comprobar ausencia de tensión es obligatorio utilizar elementos de medida de categoría III-1100 Voltios.

INFO

Estas instrucciones deben estar bien accesibles cerca del equipo y situadas al alcance de todos los usuarios.

Antes de la instalación y puesta en marcha, por favor, leer atentamente estas instrucciones de seguridad y avisos así como todos los signos de advertencia colocados en el equipo. Asegurarse de que todos los signos de advertencia permanecen perfectamente legibles y que los dañados o desaparecidos son restituidos.

La protección contra contactos directos se realiza mediante la envolvente.

i INFO

El equipo ha sido ensayado según normativa aplicable para cumplir los requisitos de seguridad, los valores de las distancias de aislamiento y líneas de fuga para las tensiones de utilización.

Peligros potenciales para las personas**⚠ PELIGRO**

Choque eléctrico.

El equipo puede permanecer cargado después de desconectar la alimentación de red.

Seguir cuidadosamente los pasos para quitar tensión obligados en el manual.

Explosión.

Existe un riesgo muy improbable de explosión en casos muy específicos de mal funcionamiento.

La carcasa protegerá de la explosión a personas y bienes únicamente si está correctamente cerrada.

Aplastamiento y lesiones articulares.

Seguir siempre las indicaciones del manual para mover y emplazar el equipo.

El peso de este equipo puede producir lesiones, heridas graves e incluso la muerte si no se manipula correctamente.

Alta temperatura.

El caudal de aire de salida puede alcanzar temperaturas altas que dañen a las personas expuestas.

Peligros potenciales para el equipo**⚠ PELIGRO**

Refrigeración.

El equipo necesita un flujo de aire libre de partículas mientras está funcionando.

Mantener la posición vertical y las entradas sin obstáculos es imprescindible para que este flujo de aire llegue al interior del equipo.

No tocar tarjetas ni componentes electrónicos. Los componentes más sensibles pueden dañarse o destruirse por la electricidad estática.

No desconectar o conectar ningún terminal mientras el equipo está funcionando. Desconectar y comprobar la ausencia de tensión antes.

Con el fin de evitar el desgaste prematuro de las uniones atornilladas de los paneles de la envolvente del equipo es necesario que las tareas de retirar e instalar los tornillos se realicen mediante herramienta manual.

Equipo de Protección Individual (EPI)

Siempre que se trabaje en el equipo usar, como mínimo, el siguiente equipamiento de seguridad recomendado por Ingeteam.

Denominación	Explicación
Calzado de seguridad	Conforme a la norma <i>UNE-EN-ISO 20345:2012 ANSI Z41.1-1991</i>
Casco con pantalla facial	Conforme a la norma <i>UNE-EN 397:1995, ANSI Z89.1-2014</i> , siempre que existan elementos con tensión directamente accesibles
Ropa de trabajo	Ceñida al cuerpo, no inflamable, 100% de algodón
Guantes dieléctricos	Conforme a la norma <i>EN 60903:2005 ASTM D 120-87</i>

Las herramientas y/o equipos empleados en trabajos en tensión deben poseer, al menos, aislamiento de categoría III-1100 Voltios.

En caso de que normativas propias del lugar exijan otro tipo de equipo de protección individual, el equipo recomendado por Ingeteam se deberá completar adecuadamente.

Contenidos

Condiciones importantes de seguridad	45
Condiciones de seguridad	45
Equipo de Protección Individual (EPI)	47
Contenidos	48
1. Información sobre este manual	50
1.1. Campo de aplicación y nomenclatura	50
1.2. Destinatarios	50
1.3. Simbología	50
2. Descripción del equipo	51
2.1. Visión general	51
2.2. Modelos	51
2.3. Conectores	51
2.3.1. Conectores para carga DC	51
2.3.2. Conector para carga AC	52
2.4. Protecciones	53
2.5. Accesorios equipados de serie	53
2.6. Accesorios opcionales	54
2.7. Seguridad eléctrica	54
2.7.1. Categoría de sobretensión (OVC)	54
2.8. Contaminación acústica	54
2.9. Esquema eléctrico del sistema	55
2.10. Tabla de características	56
2.11. Descripción de accesos de cableado	57
3. Recepción del equipo y almacenamiento	58
3.1. Recepción	58
3.2. Identificación del equipo	58
3.3. Daños en el transporte	58
3.4. Almacenamiento	58
3.5. Conservación	58
4. Transporte del equipo	59
4.1. Centro de gravedad	59
4.2. Desembalaje	59
4.3. Transporte	60
5. Preparación para la instalación del equipo	61
5.1. Entorno	61
5.2. Entorno	62
5.3. Condiciones medioambientales	62
5.4. Superficie de apoyo y anclaje	63
5.5. Requisitos del fusible	64
5.6. Tipo de red	65
5.7. Longitud del cableado	66
5.8. Sistema de desconexión externo	66
5.9. Transformador de Media Tensión	66
6. Instalación del equipo	67
6.1. Requerimientos generales de instalación	67
6.2. Fijación del equipo	67
7. Conexión de accesorios	69
7.1. Indicaciones de seguridad para la conexión de accesorios	69
7.2. Comunicación vía Ethernet	69
7.2.1. Requisitos del cableado	69
7.2.2. Proceso de conexión	69
8. Conexión de AC	70
8.1. Indicaciones de seguridad para la conexión de AC	70
8.2. Requisitos del cableado para la conexión de AC	70
8.3. Proceso de conexión de AC	71

- 9. Primera conexión a la red eléctrica 72
 - 9.1. Revisión del equipo..... 72
 - 9.1.1. Inspección 72
 - 9.1.2. Cierre hermético del equipo 72
- 10. Configuración 73
 - 10.1. Conexión local 73
 - 10.1.1. Conexión local a través de Ethernet 73
 - 10.1.2. Conexión local a través de Wi-Fi 74
 - 10.2. Conexión remota 74
- 11. Manejo del equipo 75
 - 11.1. Pantalla de carga 75
 - 11.2. Proceso para realizar una carga 76
- 12. Solución de problemas 77
 - 12.1. Alarmas 77
- 13. Desconexión del equipo 78
- 14. Mantenimiento 79
 - 14.1. Condiciones de seguridad 79
 - 14.2. Estado de las mangueras y conectores de carga 79
 - 14.3. Estado de la envolvente 79
 - 14.4. Estado de los cables y terminales 79
 - 14.5. Cambio del fusible 80
 - 14.6. Limpieza o cambio de filtros 81
 - 14.7. Cambio de ventiladores 82
- 15. Tratamiento de residuos 84

EN
ES
 FR
 IT

1. Información sobre este manual

El propósito de este manual es describir los equipos INGEREV RAPID 50 y dar la información adecuada para su correcta recepción, instalación, puesta en marcha, mantenimiento y operación.

1.1. Campo de aplicación y nomenclatura

Este manual es válido para los siguientes equipos:

Nombre completo	Abreviatura
INGEREV RAPID 50 Trio	Trio
INGEREV RAPID 50 Duo	Duo
INGEREV RAPID 50 One	One

1.2. Destinatarios

El presente documento está orientado a personal cualificado.




La condición de personal cualificado a la que se refiere este manual, será como mínimo aquella que satisfaga todas las normas, reglamentos y leyes en materia de seguridad aplicables a los trabajos de instalación y operación de este equipo.

La responsabilidad de designar al personal cualificado siempre recaerá sobre la empresa a la que pertenezca este personal, debiendo decidir qué trabajador es apto o no para realizar uno u otro trabajo para preservar su seguridad a la vez que se cumple la legislación de seguridad en el trabajo.

Dichas empresas son responsables de proporcionar una adecuada formación en equipos eléctricos a su personal, y a familiarizarlo con el contenido de este manual.

1.3. Simbología

A lo largo de este manual se incluyen avisos para enmarcar información que desea ser resaltada. En función de la naturaleza del texto contenido existen tres tipos de avisos:

 PELIGRO	Indica riesgos para la integridad del personal o del cargador.
 ATENCIÓN	Indicación de carácter importante.
 INFO	Información adicional o referencias a otras partes del documento o a otros documentos.

2. Descripción del equipo

2.1. Visión general

Los cargadores INGEREV RAPID 50 son el modelo de carga rápida multi-estándar pensado para las exigencias de carga rápida de los vehículos eléctricos más actuales, permitiendo recuperar hasta 100 km de autonomía en no más de 20 minutos.

INGEREV RAPID 50, con sus diferentes modelos, es compatible con el modo 4 con los estándares CHAdeMO y CCS en corriente continua y con el modo 3 con AC Tipo 2 en corriente alterna.

Se han diseñado para el uso en exteriores y pueden ser instalados en ubicaciones de acceso no restringido. Debido a su naturaleza se trata de un equipo fijo para montaje en suelo, clasificado como equipo clase I.

2.2. Modelos

Los cargadores INGEREV RAPID 50 disponen de varios modelos, en los que están disponibles los siguientes tipos de conectores:

	Tipo de conector		
	Corriente continua		Corriente alterna
	CCS	CHAdeMO	AC Tipo 2
INGEREV RAPID 50 Trio	●	●	●
INGEREV RAPID 50 Duo	●	●	○
INGEREV RAPID 50 One	●	○	○

● Equipado // ○ No equipado

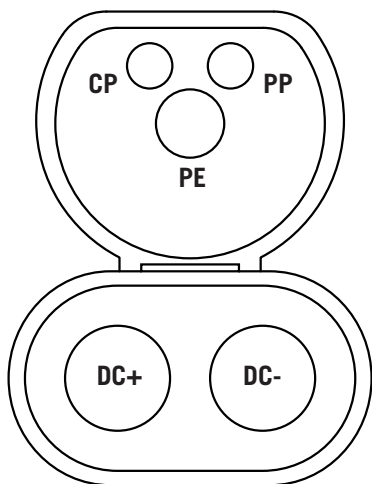
Estos modelos están diseñados para permanecer conectados a la red pública AC. Todos generan corriente DC y, en el caso del INGEREV RAPID 50 Trio, también corriente AC.

2.3. Conectores

2.3.1. Conectores para carga DC

Los siguientes conectores están basados en estándares para la carga rápida en DC de vehículos eléctricos.

CCS



PP: *Proximity Pilot*, piloto de proximidad

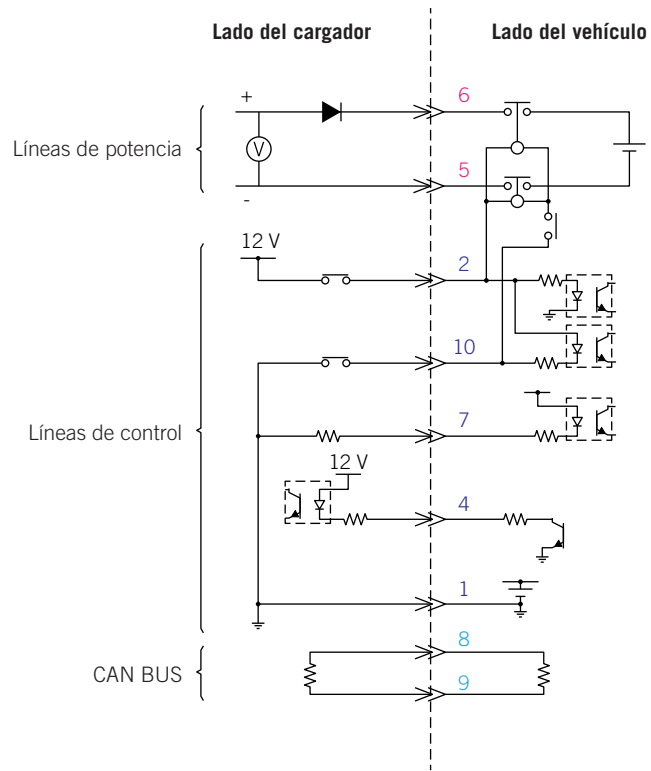
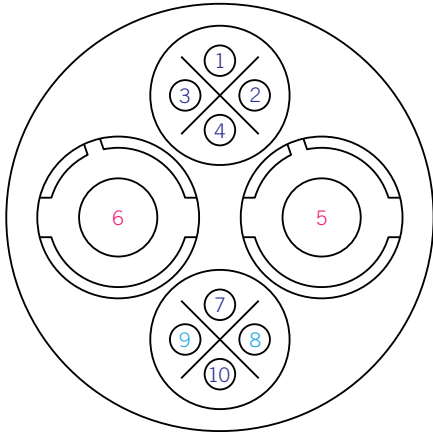
CP: *Control Pilot*, piloto de control

PE: *Protective Earth*, tierra

DC+

DC-

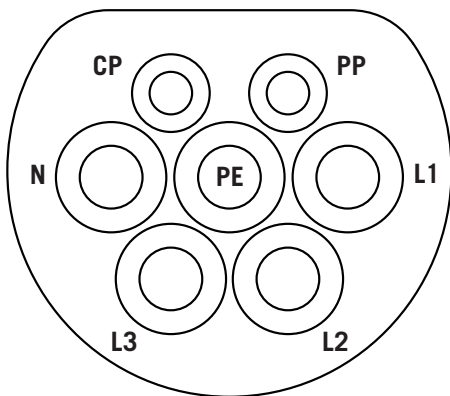
CHAdeMO



2.3.2. Conector para carga AC

El siguiente conector está basado en estándares para la carga rápida en AC de vehículos eléctricos.

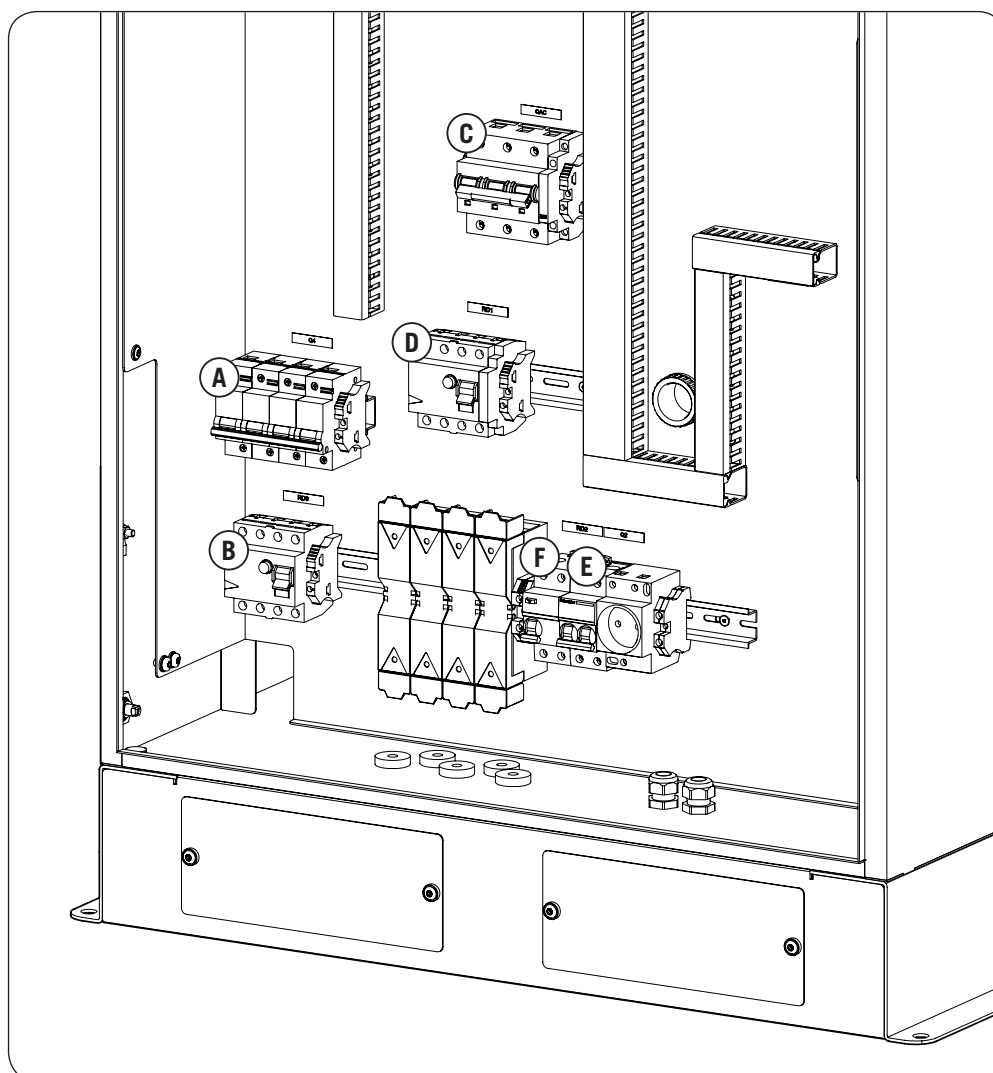
IEC 62196-2 AC Tipo 2



- PP: *Proximity Pilot*, piloto de proximidad
- CP: *Control Pilot*, piloto de control
- PE: *Protective Earth*, tierra
- N: Neutro
- L1: Fase 1
- L2: Fase 2
- L3: Fase 3

2.4. Protecciones

Esta estación de recarga dispone de varias protecciones, descritas a continuación.



- | | |
|---|--|
| A. Q4 (AC). Interruptor magnetotérmico 80 A
Curva C (sólo Trio) | D. RD1 (DC). Interruptor diferencial 30 mA
100 A Tipo A |
| B. RD3 (AC). Interruptor diferencial 30 mA 63 A
Tipo B (sólo Trio) | E. Q2 (auxiliares). Interruptor magnetotérmico
6 A Curva C |
| C. QAC (DC). Interruptor magnetotérmico 100 A
Curva C | F. RD2 (auxiliares). Interruptor diferencial 30 mA
25 A Tipo AC |

2.5. Accesorios equipados de serie

- Comunicación Ethernet.
- Comunicación local con otras estaciones INGEREV.
- Compatibilidad con OCPP.
- Autenticación mediante tarjetas RFID / NFC.
- Interfaz por pantalla.
- Envoltorio de acero de gran resistencia ante condiciones ambientales adversas.

2.6. Accesorios opcionales

Estos equipos pueden incorporar los siguientes accesorios opcionales:

- Comunicación 3G.
- Comunicación Wi-Fi.

2.7. Seguridad eléctrica

A continuación se dan a conocer magnitudes de diseño interesantes para la seguridad eléctrica.

2.7.1. Categoría de sobretensión (OVC)

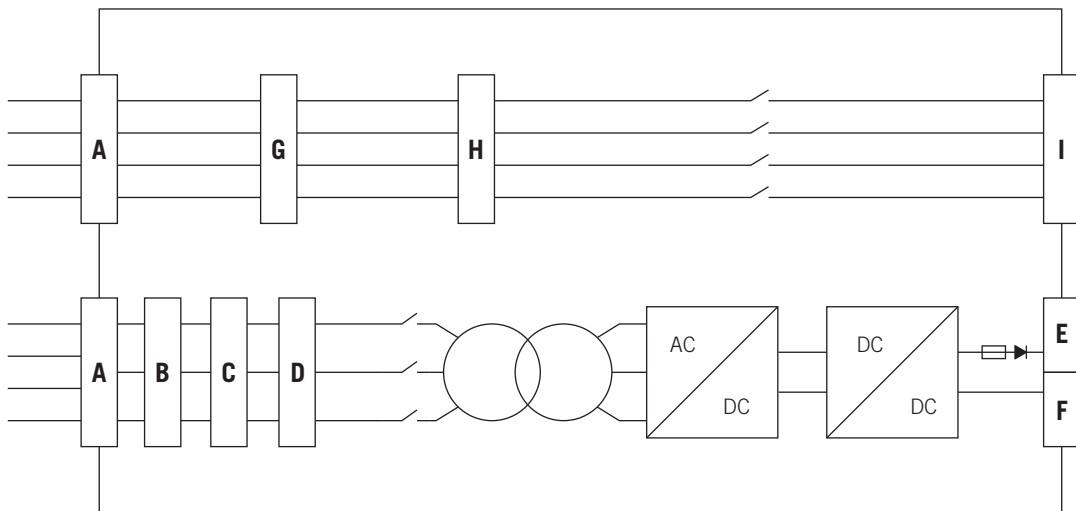
Estos equipos se han diseñado con una categoría de sobretensión OVC III en AC.

2.8. Contaminación acústica

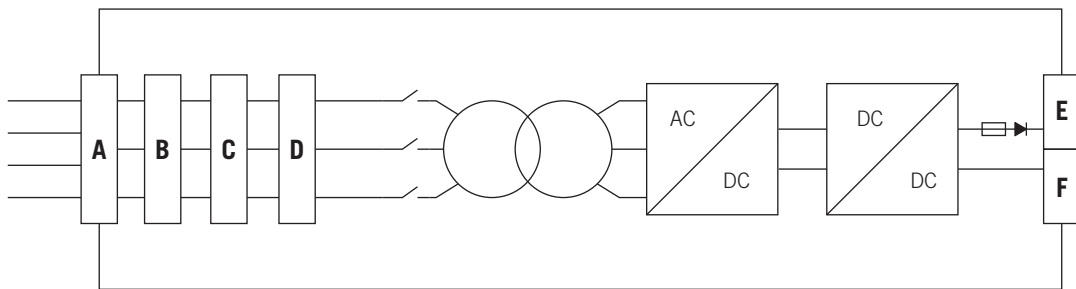
El funcionamiento de este equipo genera un zumbido. No ubicarlos en una estancia habitada, o sobre soportes ligeros que puedan amplificar ese zumbido. La superficie de montaje debe ser firme y adecuada al peso del equipo.

2.9. Esquema eléctrico del sistema

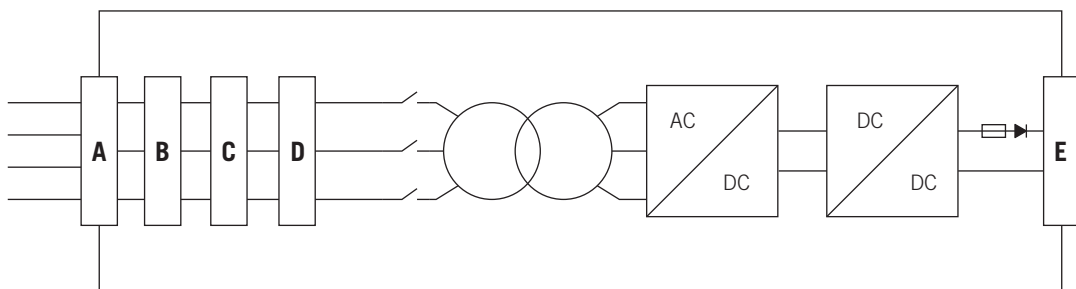
INGEREV RAPID 50 Trio



INGEREV RAPID 50 Duo



INGEREV RAPID 50 One



- | | |
|---------------------------------|---------------------------------|
| A. Acometida | F. Conector CHAdeMO |
| B. Magnetotérmico y diferencial | G. Magnetotérmico y diferencial |
| C. Vatímetro | H. Vatímetro |
| D. Filtro EMI | I. Conector AC Tipo 2 |
| E. Conector CCS | |

2.10. Tabla de características

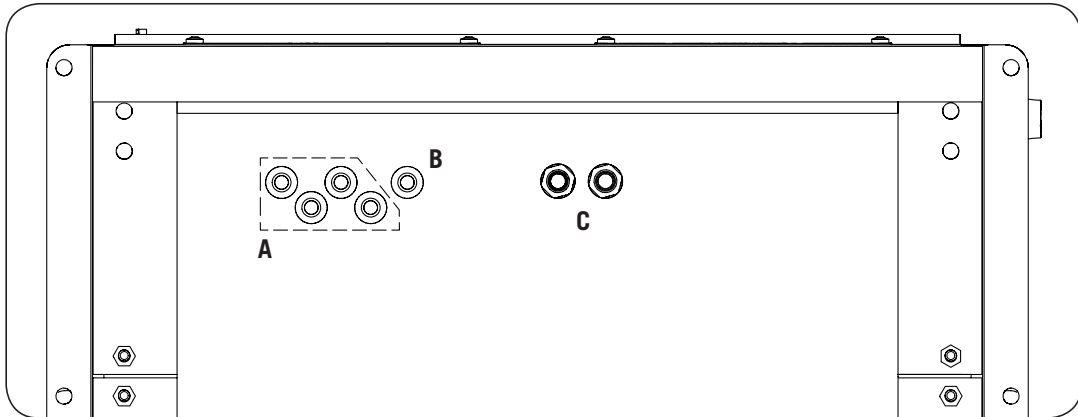
INGEREV RAPID 50 Trio / Duo / One	
Entrada AC (para salida DC)	
Tensión	Tres fases + neutro + tierra; 400 Vac \pm 15%
Frecuencia	50 Hz
Corriente nominal	77 A
Potencia nominal	53 kVA
Eficiencia	> 94%
Factor de potencia	> 0,98
Entrada AC (para salida AC)⁽¹⁾	
Tensión	Tres fases + neutro + tierra; 400 Vac \pm 15%
Frecuencia	50 Hz
Corriente nominal	63 A
Potencia nominal	43,5 kVA
Conectores de carga	AC Modo 3 Tipo 2
Salida (DC)	
Rango de tensión	50 ~ 500 V
Corriente máxima	125 A
Potencia máxima	50 kW
Conectores de carga	CCS Tipo 2 / CHAdeMO ⁽²⁾
Cumplimiento de normativas y seguridad	
Standards	IEC 61851-1, IEC 61851-23, IEC 61851-24, CHAdeMO 1.0.0, DIN 70121, ISO 15118, IEC 61000
Protección de sobrecorriente	Magnetotérmico 80 A Curva C para carga en AC Magnetotérmico 100 A Curva C para carga en DC
Protección contra contactos indirectos	Diferencial 63 A 30 mA Tipo B para carga en AC ⁽²⁾ Diferencial 100 A 30 mA Tipo A para carga en DC
Protección contra sobretensión	Descargador de sobretensión tipo III
Información general	
Sistema de refrigeración	Ventilación forzada
Consumo en stand-by	< 100 W
Longitud del cableado	> 3 m ⁽³⁾
Temperatura de funcionamiento	-25 °C ~ 60 °C
Humedad	0 ~ 95% (sin condensación)
Peso	620 kg
Medidas	785 x 700 x 1900 mm
Grado de protección	IP54 / IK10 (display y rejillas de ventilación IK08)
Marcado	CE
Altitud máxima	Hasta 2000 m

⁽¹⁾ sólo para Trio

⁽²⁾ sólo para Trio y Duo

⁽³⁾ opcionalmente 3,8 m

2.11. Descripción de accesos de cableado



- A. Acometida AC. Rango de manguera admisible 6 ~ 20 mm.
- B. Conexión de tierra de acometida AC. Rango de manguera admisible 6 ~ 20 mm.
- C. Cableado de Ethernet y otros usos. Prensaestopas M20. Rango de manguera admisible 6 ~ 13 mm.

3. Recepción del equipo y almacenamiento

3.1. Recepción

Mantener el embalaje colocado hasta inmediatamente antes de su instalación.

3.2. Identificación del equipo

El número de serie del equipo lo identifica de forma inequívoca. En cualquier comunicación con Ingeteam se debe hacer referencia a este número.

El número de serie del equipo viene reflejado en la placa de características.

3.3. Daños en el transporte

Si durante el transporte el equipo ha sufrido daños actuar en el siguiente orden:

1. No proceder a la instalación.
2. Notificar este hecho inmediatamente al distribuidor dentro de los cinco días posteriores a la recepción del equipo.

Si finalmente fuese necesario devolver el equipo al fabricante, se deberá usar el mismo embalaje en el que se recibió.

3.4. Almacenamiento

ATENCIÓN

El incumplimiento de las instrucciones dadas en esta sección puede causar daños en el equipo.

Ingeteam no asume ninguna responsabilidad por daños derivados del incumplimiento de estas instrucciones.

Si el equipo no es instalado inmediatamente después de su recepción, se deberán tener en cuenta los siguientes puntos con el fin de evitar su deterioro:

- El equipo se debe almacenar en su embalaje original.
- Mantener el equipo libre de suciedad (polvo, virutas, grasa, etc.), así como de roedores.
- Evitar que reciba proyecciones de agua, chispas de soldaduras, etc.
- Cubrir el equipo con un material protector transpirable con el fin de evitar condensación debida a la humedad ambiental.
- Los equipos almacenados no deberán estar sometidos a condiciones climáticas diferentes a las indicadas en el apartado "2.10. Tabla de características".
- Es muy importante proteger el equipo frente a productos químicos que puedan producir corrosión, así como de ambientes salinos.
- No almacenar el equipo a la intemperie.

3.5. Conservación

Con el fin de permitir una correcta conservación de los equipos, no debe retirarse el embalaje original hasta el mismo momento de su instalación.

Se recomienda, en caso de almacenamiento prolongado, que este se realice en lugares secos, evitando, en lo posible, cambios bruscos de temperatura.

El deterioro del embalaje (cortes, agujeros, etc.) hace que los equipos no se mantengan en óptimas condiciones antes de su instalación. Ingeteam no se hace responsable en caso de incumplirse esta condición.

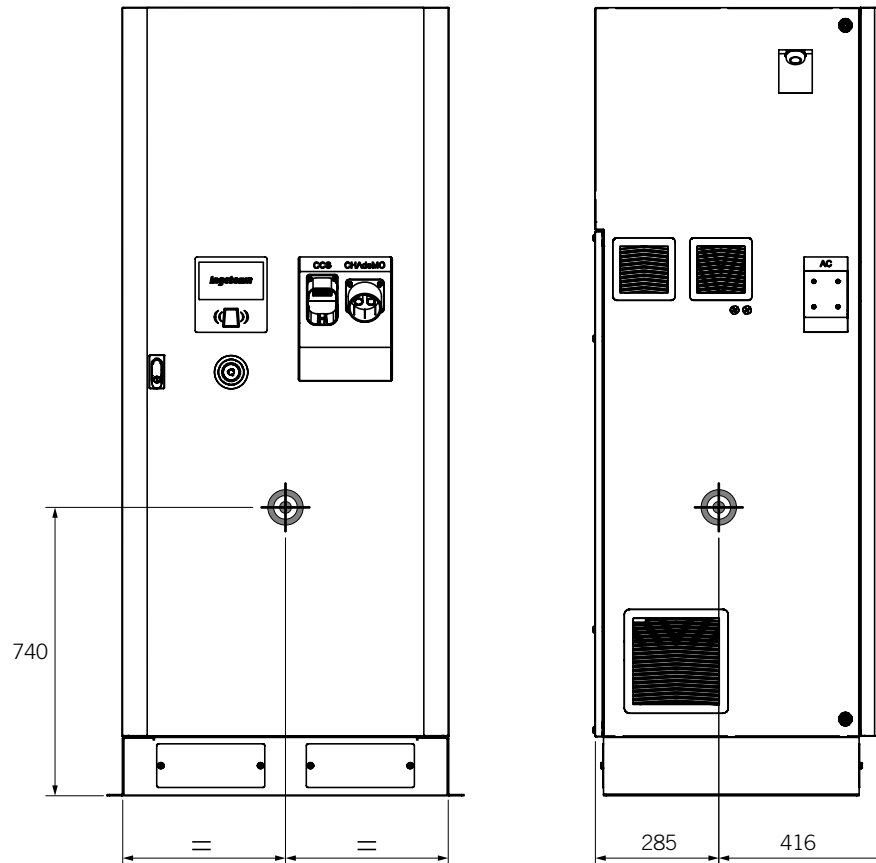
4. Transporte del equipo

Se deberá proteger el equipo durante su transporte de golpes mecánicos, vibraciones, proyecciones de agua (lluvia) y cualquier otro producto o situación que pueda dañar o alterar su comportamiento.

La no observancia de estas instrucciones puede causar la pérdida de la garantía en el producto, de la cual Ingeteam no es responsable.

4.1. Centro de gravedad

A la hora de desplazar el equipo se deberá tener en cuenta el centro de gravedad del equipo. A continuación se especifica la ubicación aproximada del centro de gravedad.



4.2. Desembalaje

Es de vital importancia la correcta manipulación de los equipos con el fin de:

- No deteriorar el embalaje que permite mantener estos en óptimas condiciones desde su expedición hasta el momento de ser instalados.
- Evitar golpes y/o caídas de los equipos que pudieran deteriorar las características mecánicas de los mismos; por ejemplo, cierre incorrecto de puertas, pérdida de grado de protección, etc.
- Evitar, en la medida de lo posible, las vibraciones que puedan provocar un mal funcionamiento posterior.

En caso de observar alguna anomalía se deberá contactar inmediatamente con Ingeteam.

Segregación del embalaje

Todo el embalaje se puede entregar a un gestor autorizado de residuos no peligrosos.

En cualquier caso, el destino de cada parte del embalaje será:

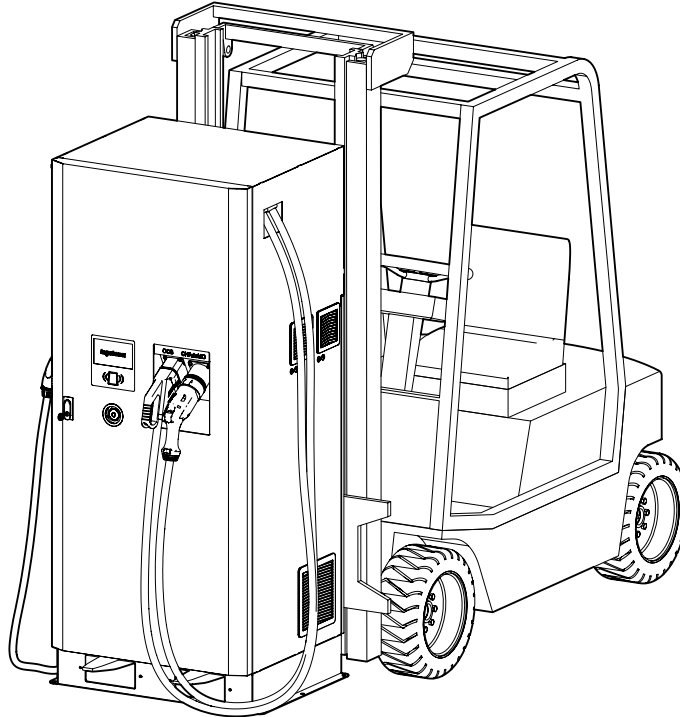
- Plástico (poliestireno, bolsa y papel burbuja): contenedor correspondiente.
- Cartón: contenedor correspondiente.

4.3. Transporte

Transporte mediante transpaleta o carretilla elevadora

Se deberán observar al menos las siguientes prescripciones:

1. Depositar los equipos centrados respecto a las uñas.



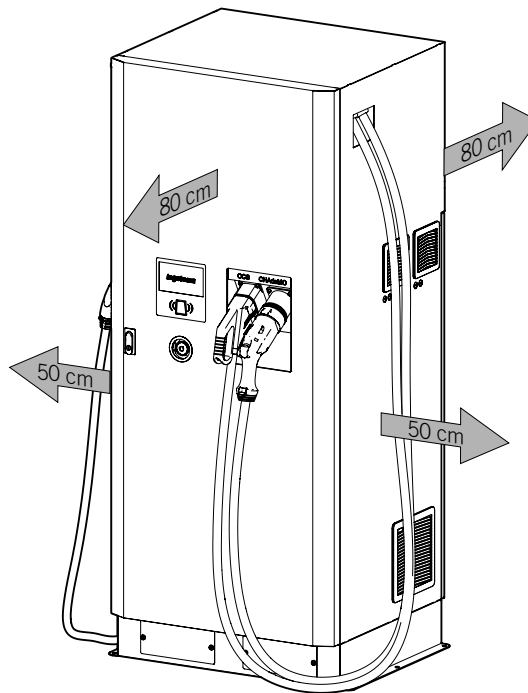
2. Procurar colocarlos lo más cerca de la unión de las uñas con el tirador.
3. Asegurarse que las pinzas están perfectamente niveladas para evitar posibles vuelcos del equipo.
4. En cualquier caso, respetar el manual de utilización de la transpaleta o carretilla elevadora.

5. Preparación para la instalación del equipo

A la hora de decidir la ubicación del equipo y planificar su instalación, se deberán seguir una serie de pautas derivadas de las características del mismo. En este capítulo se resumen estas pautas.

5.1. Entorno

- Estos equipos pueden ser instalados en interiores y exteriores.
- Colocar los equipos en un lugar accesible a los trabajos de instalación y mantenimiento, y que permita el acceso al panel de control.
- Evitar ambientes corrosivos que puedan afectar al correcto funcionamiento del equipo.
- No dejar objetos apoyados sobre el equipo o en sus laterales, pueden entorpecer la ventilación y sufrir altas temperaturas.
- No debe exponerse a la irradiación solar directa.
- No instalar los equipos en estancias habitadas debido al ruido provocado por su funcionamiento.
- En caso de instalar los equipos dentro de un habitáculo cerrado (habitación, caseta, etc.) proveer una correcta ventilación. El rango de funcionamiento de los equipos depende de su temperatura ambiente por lo que una ventilación deficiente puede llevar a una limitación de sus capacidades.
- En caso de instalar más de un equipo asegurar que la extracción de aire caliente de unos no interfiera en la correcta ventilación de otros, dejando una separación lateral de al menos 2 metros.
- Mantener libre de obstáculos las siguientes distancias mínimas.



5.2. Entorno

- Colocar los equipos en un lugar accesible a los trabajos de instalación y mantenimiento, y que permita el manejo a través del display TFT.
- Las salidas de aire y parte del módulo de potencia, pueden alcanzar temperaturas elevadas. No colocar en sus inmediaciones ningún material sensible a las altas temperaturas.
- Evitar ambientes corrosivos que puedan afectar a su correcto funcionamiento. No instalar el equipo en zonas clasificadas como ATEX.
- Queda terminantemente prohibido dejar cualquier objeto sobre el equipo.
- Se recomienda colocar los equipos bajo una cubierta que los proteja de la irradiación directa, orientando su parte frontal hacia el norte en el hemisferio norte y hacia el sur en el hemisferio sur.

5.3. Condiciones medioambientales

Se deberán tener en cuenta las condiciones ambientales de operación del equipo para elegir su ubicación.

Condiciones medioambientales	
Temperatura mínima	-20 °C
Temperatura mínima del aire circundante	-20 °C
Temperatura máxima de funcionamiento	60 °C ⁽¹⁾
Humedad relativa máxima sin condensación	95%
Altitud	2000 m ⁽²⁾

⁽¹⁾ El funcionamiento del equipo a temperaturas superiores a 50 °C se debe producir solamente de forma puntual y no permanente. Ingeteam no se responsabiliza de las consecuencias ocasionadas en el equipo por el funcionamiento continuado a temperaturas superiores a 50 °C.

⁽²⁾ En altitudes superiores a 1,000 m contactar con Ingeteam.

Conviene tener en cuenta que, ocasionalmente, podría producirse una condensación moderada como consecuencia de las variaciones de temperatura. Por esta razón, y al margen de la propia protección del equipo, se hace necesaria una vigilancia de estos equipos, una vez puestos en marcha en aquellos emplazamientos en los que se sospeche no vayan a darse las condiciones anteriormente descritas.

Con condensación, no aplicar nunca tensión al equipo. Para eliminar la condensación aplicar un flujo de aire caliente a una temperatura máxima de 60 °C.

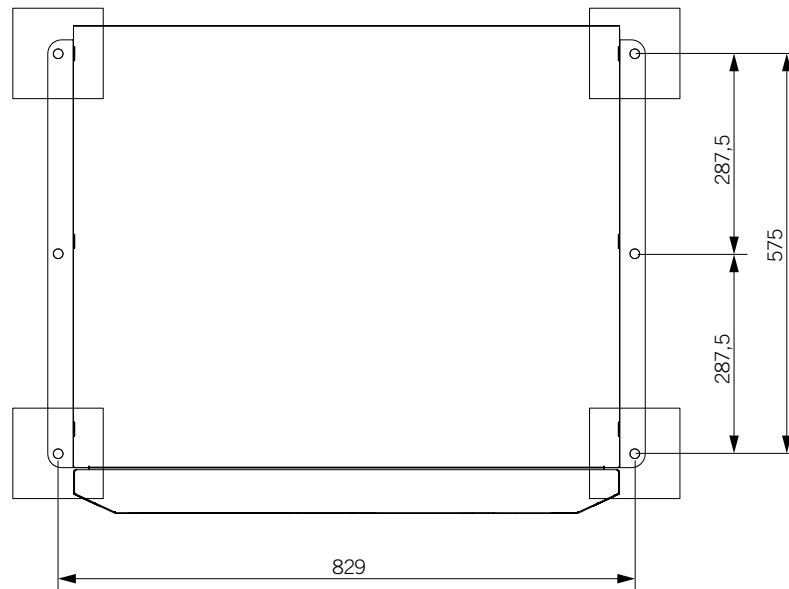
INFO

Ingeteam no garantiza el correcto funcionamiento del equipo en caso de no cumplirse las condiciones de funcionamiento para las que ha sido diseñado.

5.4. Superficie de apoyo y anclaje

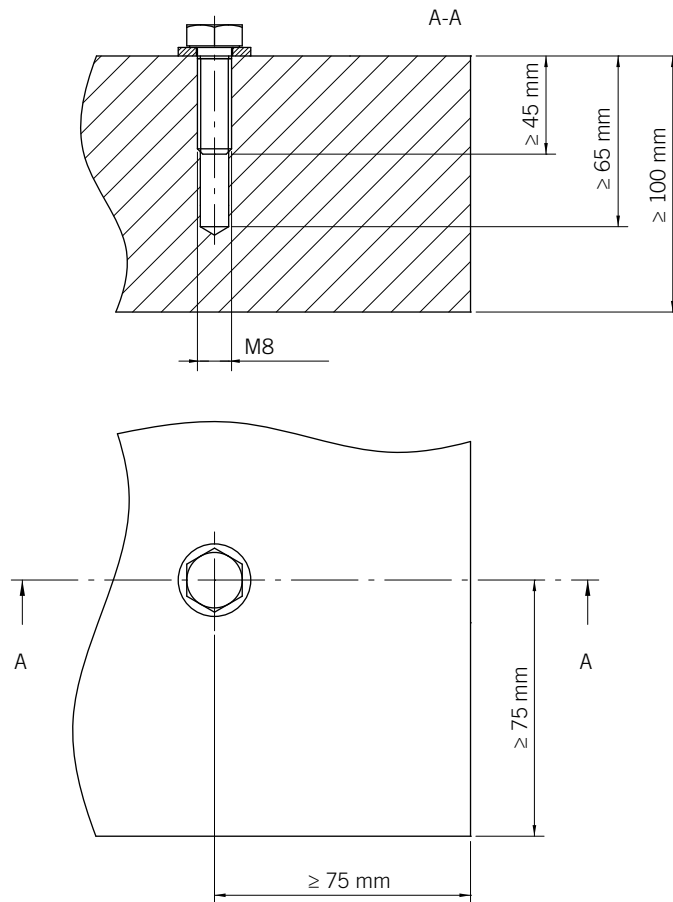
El peso de los equipos hace necesario que el suelo sobre el que se apoye sea firme, completamente horizontal y nivelado, asegurando el correcto drenaje de agua y evitando así su estancamiento.

Para realizar los cálculos de la instalación es necesario tener en cuenta las cargas que influyen en las condiciones del entorno, según normativa del país, así como el centro de gravedad indicado en el apartado "4.1. Centro de gravedad". A continuación se muestran los cuatro apoyos mínimos necesarios.



Se deben observar las siguientes prescripciones al elegir el lugar donde se va a atornillar el equipo:

- Distancia mínima del centro del taladro de la zapata de hormigón a sus bordes: 75 mm.
- Diámetro de la broca practicada en la zapata hormigón: 8 mm.
- Profundidad mínima del taladro practicado en la zapata de hormigón: 65 mm.
- Mínimo espesor de la zapata de hormigón: 100 mm.
- Profundidad mínima del tornillo de anclaje: 45 mm.
- Resistencia a tracción mínima: 7,7 kN. Coeficiente de seguridad 1,5.
- Resistencia a cortadura mínima: 9,3 kN. Coeficiente de seguridad 1,25.



5.5. Requisitos del fusible

⚠ ATENCIÓN

Ingeteam utiliza el fusible Bussmann PV-160ANH1 con 1000 Vdc - 160 A - 50 kA y el portafusibles Bussmann SD 1-D-PV. En caso de reemplazar el fusible por otro se deberán tener en cuenta las características del fusible y portafusibles instalados de serie para su elección, adoptando como mínimos los valores de protección del fusible de serie.

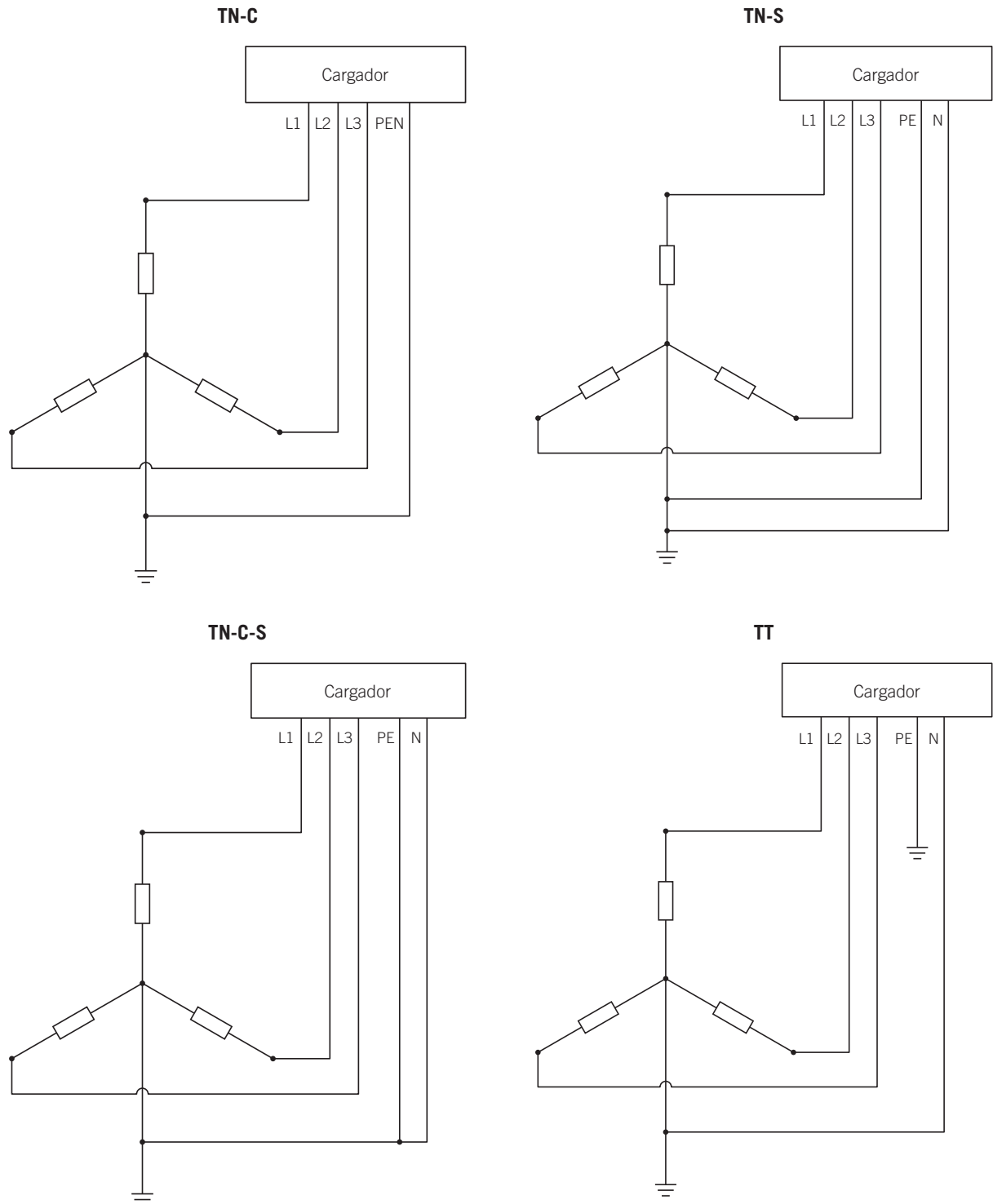
Ingeteam no se responsabiliza de la incorrecta elección del fusible en caso de reemplazo del original.

5.6. Tipo de red

Estos equipos deben conectarse a una red trifásica en estrella con neutro aterrado. Los sistemas de puestas a tierra admisibles por lo tanto son TT y TN.

No puede conectarse a redes IT o redes delta aterradas en una de sus líneas.

En necesario llevar al equipo las conexiones de la red trifásica (L1, L2, L3 y N) y su tierra (PE).



5.7. Longitud del cableado

El cargador mide la tensión en sus bornes de conexión, por esta razón el instalador deberá emplear un cable AC con una impedancia suficientemente baja para que el aumento de tensión en el cable (entre el transformador de distribución y el equipo) no provoque la desconexión del equipo por Baja Tensión.

5.8. Sistema de desconexión externo

Para labores de inspección del equipo es necesario quitar tensión de alimentación AC. Para ello el instalador deberá instalar un sistema de desconexión externo.

5.9. Transformador de Media Tensión

En instalaciones donde es necesario el uso de un transformador de Media Tensión dedicado a los cargadores, este transformador debe cumplir con los siguientes requisitos:

- El transformador debe tener una potencia nominal igual o superior a la suma de potencias de los cargadores instalados aguas abajo.
- La configuración del transformador debe ser estrella en el lado de Baja Tensión y triángulo en el de Alta Tensión.
- En el lado de Baja Tensión, el terminal del neutro debe ser accesible y conectarse a tierra.
- Se recomienda el uso de transformadores con una $U_{cc} < 6\%$.
- Se recomienda emplear transformadores con regulación de tensión en 5 puntos (0, $\pm 2,5$, $\pm 5\%$).
- El lado de Baja Tensión del transformador debe soportar una corriente homopolar a tres veces la frecuencia de red del orden de 10 Arms/MVA.
- El dimensionamiento del transformador debe tener en cuenta:
 - Las características de tensión y frecuencia (y sus tolerancias) del punto de conexión.
 - Las normativas del país donde se va a instalar.
 - Los factores ambientales del emplazamiento de la instalación (temperaturas, humedades, altitud, etc.).
- El transformador es una parte esencial de la instalación, sus características deben ser tenidas en cuenta a la hora de diseñar las protecciones necesarias aguas abajo del mismo.

6. Instalación del equipo

Antes de proceder a la instalación del equipo, deberá retirarse el embalaje teniendo especial cuidado de que no se dañe la envolvente (ver apartado "4.2. Desembalaje").

Deberá cerciorarse de la inexistencia de condensación en el interior del embalaje. Si existieran signos de condensación, no se deberá instalar el equipo hasta asegurarse que está completamente seco.

⚠ ATENCIÓN

Todas las operaciones de instalación deben mantener observancia con el reglamento vigente.

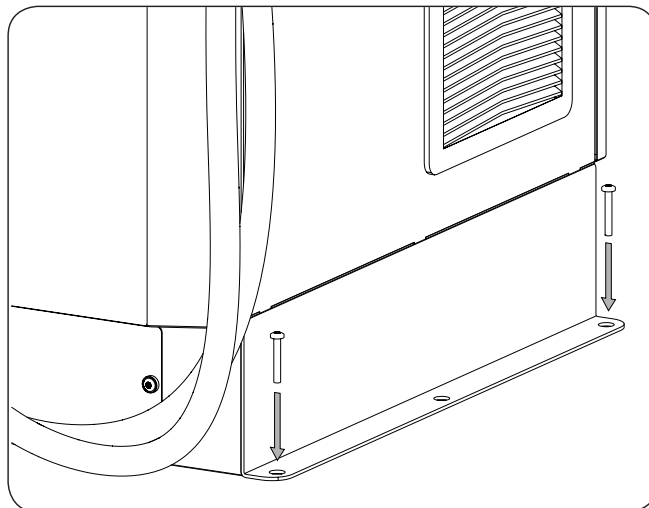
Todas las operaciones que impliquen movimiento de pesos elevados se deberán llevar a cabo con la ayuda de los medios de asistencia mecánica necesarios (grúa, polipasto, etc.).

6.1. Requerimientos generales de instalación

- El entorno del equipo deberá ser el adecuado, satisfaciendo las pautas descritas en el capítulo "5. Preparación para la instalación del equipo". Además, los elementos empleados en el resto de la instalación deberán ser compatibles con el equipo y con el cumplimiento de la legislación aplicable.
- La ventilación y el espacio de trabajo deberán ser los adecuados para las labores de mantenimiento según reglamento aplicable vigente.
- Los dispositivos exteriores de conexión deberán ser adecuados y estarán lo suficientemente cerca según se establece en el reglamento vigente.
- Los cables de acometida deberán tener la sección adecuada a la intensidad máxima.
- Se tendrá especial cuidado para que no existan elementos exteriores próximos a las entradas y salidas de aire que impidan la correcta refrigeración del equipo, respetando las distancias indicadas en el apartado "5.1. Entorno".

6.2. Fijación del equipo

Para la fijación del equipo se atornillarán al suelo una serie de tornillos a través de los orificios dedicados en los laterales del zócalo inferior.



Seguir los siguientes pasos:

1. Marcar sobre el suelo los puntos de amarre.
2. Taladrar el suelo con una broca adecuada.
3. Atornillar a través de los orificios del zócalo.
4. Verificar que el equipo ha quedado bien asegurado.

Una vez el equipo se ha instalado correctamente, se iniciará el proceso de conexión de éste.

Conectar las conexiones en el siguiente orden:

1. Conexión de accesorios (opcional).
2. Conexión de AC.

 **ATENCIÓN**

Es obligatorio seguir el orden descrito anteriormente. No alimentar hasta que se hayan realizado todas las conexiones y se haya cerrado el equipo.

7. Conexión de accesorios

A lo largo de este capítulo se explica el proceso para conectar los accesorios de serie y opcionales en el equipo.
Leer detenidamente antes de iniciar el proceso de conexión.

7.1. Indicaciones de seguridad para la conexión de accesorios

⚠ PELIGRO

Asegurar la ausencia de tensión en el equipo antes de iniciar la conexión.

No alimentar el equipo hasta que se hayan completado con éxito el resto de conexiones y se haya cerrado el equipo.

Utilizar el Equipo de Protección Individual especificado en el apartado “*Equipo de Protección Individual (EPI)*”.

⚠ ATENCIÓN

Ingeteam no se responsabiliza de los daños derivados de una conexión incorrecta.

7.2. Comunicación vía Ethernet

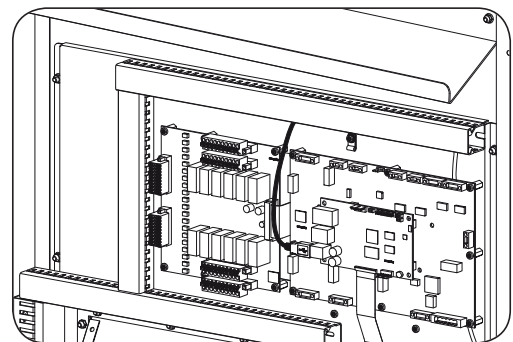
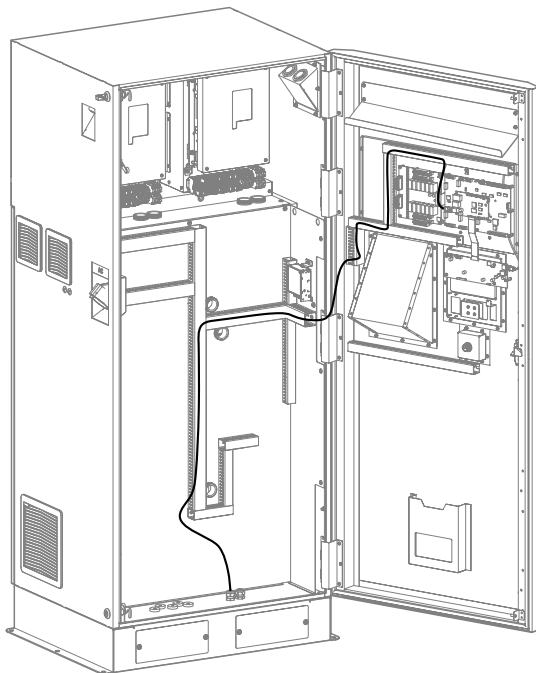
7.2.1. Requisitos del cableado

Para la comunicación Ethernet utilizar un cable de 4 a 6 mm de diámetro.

7.2.2. Proceso de conexión

Para realizar la conexión seguir el siguiente orden:

1. En la zona de accesos de cableado inferior introducir el cableado de Ethernet a través del prensaestopas correspondiente.
2. Guiar el cableado a través de las canaletas tal y como indica la siguiente figura.



3. Insertar el conector RJ45 en la tarjeta.
4. Apretar el prensaestopas para asegurar la estanqueidad, asegurando que el cableado no quede tirante.

8. Conexión de AC

A lo largo de este capítulo se explican los requerimientos y el proceso para conectar el cableado de AC en el equipo.

Leer detenidamente antes de iniciar el proceso de conexión.

INFO

Consultar el apartado “*Condiciones importantes de seguridad*” y las siguientes indicaciones antes de operar en el equipo.

8.1. Indicaciones de seguridad para la conexión de AC

PELIGRO

Asegurar la ausencia de tensión en el equipo antes de iniciar la conexión AC.

No alimentar el equipo hasta que se hayan completado con éxito el resto de conexiones y se haya cerrado el equipo.

Utilizar el Equipo de Protección Individual especificado en el apartado “*Equipo de Protección Individual (EPI)*”.

Durante la conexión debe asegurarse la correcta instalación de los cables en los borneros del equipo de manera que no queden partes en tensión de este cableado accesibles.

Respetar la polaridad del cableado AC.

ATENCIÓN

Ingeteam no se responsabiliza de los daños derivados de una conexión incorrecta.

8.2. Requisitos del cableado para la conexión de AC

Para garantizar la seguridad de las personas, para el correcto funcionamiento del equipo y para cumplir la normativa aplicable, el equipo debe de conectarse a la tierra de la instalación.

Si el cargador y el punto de conexión a red están separados por una distancia que requiera el uso de cables con sección mayor se recomienda emplear una caja de distribución externa, cercana al cargador, para realizar este cambio de sección.

La conexión AC deberá hacerse mediante cables monopolares. Se emplearán un total de cinco cables: tres fases, neutro y tierra. El material del conductor puede ser cobre o aluminio.

ATENCIÓN

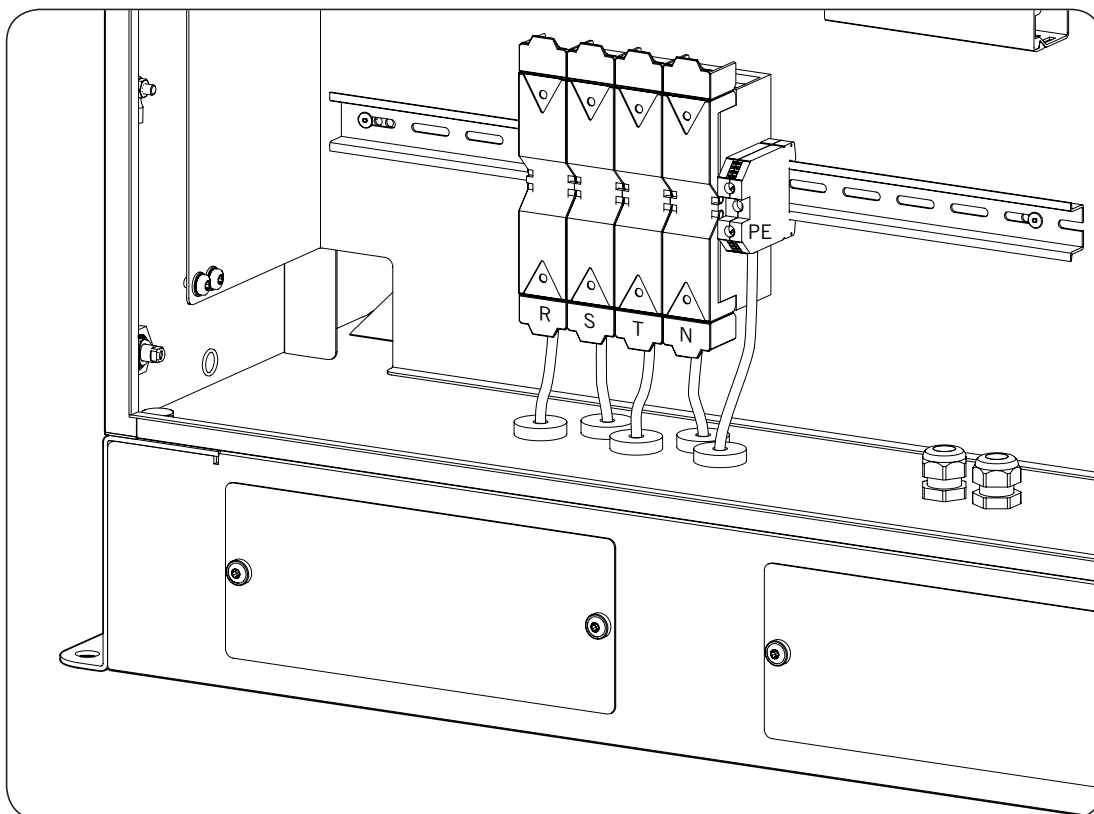
En caso de utilizar cables de aluminio el instalador deberá proveer los medios para evitar el efecto del par galvánico (terminales bipolares, interfaces bimetálicas, etc.)

El dimensionado del cableado de tierra será responsabilidad del instalador y deberá atender a los requerimientos normativos aplicables en la instalación.

La entrada AC admite una sección de cable entre 10 mm² y 70 mm². El diámetro mínimo y máximo de los cables de entrada es 6 a 20 mm. Los cables deben acabar en un terminal de pala de métrica M8. La anchura máxima de esta pala no debe sobrepasar los 28 mm.

8.3. Proceso de conexión de AC

1. Introducir el cableado a través de los pasos de cable habilitados en la parte inferior del cargador.
2. Conectar respetando las polaridades las tres fases, neutro y tierra en las bornas señaladas como R, S, T y N y en la barra de tierras PE.



En la siguiente tabla se recogen los pares de apriete a aplicar en la conexión.

Pares de apriete a aplicar	
Conexión	Par de apriete
Bornas R, S, T, N	5 Nm
Barra de tierras PE	10 Nm

3. Comprobar la correcta colocación de la membrana pasacables y que el cableado no queda tirante.

9. Primera conexión a la red eléctrica

A lo largo de este capítulo se detalla el proceso a seguir para realizar la primera conexión a red del equipo.

Previamente se deberá revisar el equipo.

9.1. Revisión del equipo

Es necesario revisar el correcto estado de la instalación antes de la puesta en marcha.

Cada instalación es diferente según sus características, el país donde se encuentre u otras condiciones especiales que se le apliquen. En cualquier caso, antes de realizar la puesta en marcha, ha de asegurarse de que la instalación cumple la legislación y reglamentos que se le apliquen y que está finalizada, al menos la parte que se va a poner en marcha.

9.1.1. Inspección

Antes de la primera conexión a red del cargador se ha de realizar una revisión general consistente principalmente en:

Revisión del cableado

- Comprobar que los cables están correctamente unidos a sus conectores.
- Comprobar que dichos cables están en buen estado, y que en su entorno no existen peligros que puedan deteriorarlos, como fuentes de calor intenso, objetos que puedan causar su corte u disposiciones que les sometan a riesgo de impactos o tirones.

Revisión de la fijación del equipo

Comprobar que el equipo está sólidamente fijado y no corre peligro de caer.

9.1.2. Cierre hermético del equipo

En las operaciones de instalación asegurarse de que las operaciones de conexión no han alterado el grado de estanqueidad del equipo.

Vigilar el ajuste correcto de los conectores y un buen cierre de los elementos pasacables.

10. Configuración

Para realizar la primera configuración del equipo es necesario establecer conexión de forma local. Una vez se haya realizado esta primera configuración también es posible establecer conexión de forma remota. A continuación se describen los procesos para ambos casos.

La configuración se realizará a través de la aplicación INGEREV WEB Manager.

10.1. Conexión local

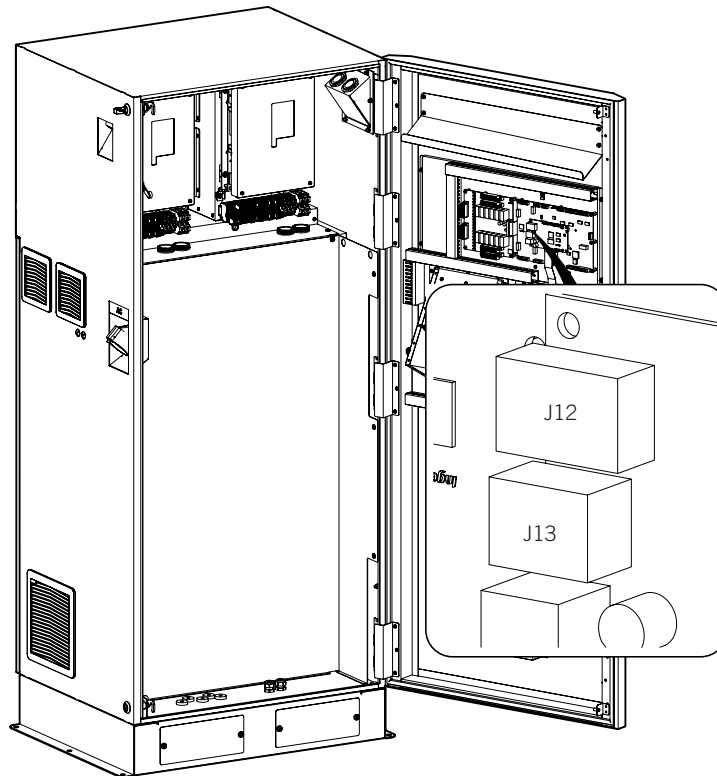
Para establecer una conexión local es necesario que el cargador y el ordenador estén conectados a la misma red de comunicación.

La conexión local se puede realizar a través de Ethernet o Wi-Fi.

10.1.1. Conexión local a través de Ethernet

Para establecer la conexión seguir los siguientes pasos:

1. Conectar el ordenador al equipo mediante uno de los conectores Ethernet disponibles (J12 o J13).



2. En el portátil abrir el navegador web y acceder a <http://numSerie:8080>, donde *numSerie* corresponde con el número de serie del equipo (por ejemplo, <http://6H0576543210:8080>). El número de serie identifica unívocamente al equipo y se encuentra en la placa de características.
3. Introducir usuario y contraseña. El usuario y contraseña se indican en la tarjeta verde entregada junto al equipo.
4. Seguir las instrucciones del INGEREV WEB Manager.

⚠ ATENCIÓN

Ciertos sistemas operativos, debido a su propia configuración, pueden rechazar la URL anteriormente descrita. En estos casos, se debe proceder de la siguiente manera:

1. Conectar el ordenador portátil a través de un cable Ethernet al conector J12 del equipo. El conector J13 no permite este método de acceso.
2. Acceder a través de un navegador web a <http://192.168.1.33:8080>.
3. Seguir los pasos indicados en el navegador para realizar el proceso de configuración.

10.1.2. Conexión local a través de Wi-Fi

Por defecto el equipo viene configurado en modo *Access Point*. Esto significa que genera una red Wi-Fi que permite conexiones de dispositivos tales como ordenadores portátiles, tablets o smartphones.

Para establecer la conexión seguir los siguientes pasos:

1. Conectar el dispositivo a la red generada por el cargador. El nombre de la red es el mismo que el número de serie del equipo.
2. En el dispositivo abrir el navegador web y acceder a <http://192.168.2.1:8080>.
3. Introducir usuario y contraseña. El usuario y contraseña se indican en la tarjeta verde entregada junto al equipo.
4. Seguir las instrucciones del INGEREV WEB Manager.

10.2. Conexión remota

El objeto de la comunicación remota es disponer de acceso al cargador cuando éste y el ordenador se encuentran conectados a internet desde redes de comunicación diferentes. El cargador debe estar conectado a Internet a través de Wi-Fi, Ethernet o 3G.

Para establecer la conexión seguir los siguientes pasos:

1. Con el cargador y ordenador conectados a internet, abrir el navegador web y acceder a <http://www.ingerev.com/numSerie>, donde *numSerie* corresponde con el número de serie del equipo (por ejemplo, <http://www.ingerev.com/6H0576543210>). El número de serie identifica unívocamente al equipo y se encuentra en la placa de características.
2. Introducir usuario y contraseña. El usuario y contraseña se indican en la tarjeta verde entregada junto al equipo.

11. Manejo del equipo

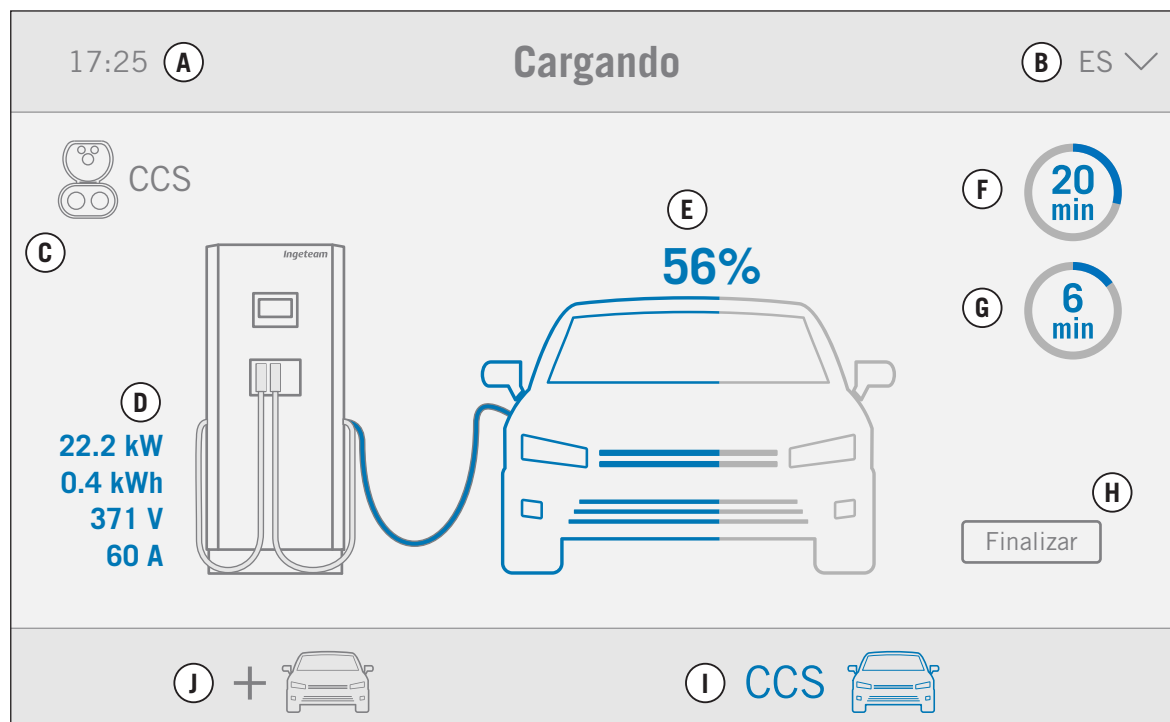
La gestión del funcionamiento del cargador se realiza a través del display.

En los INGEREV RAPID 50 Trio es posible realizar cargas de dos vehículos de forma simultánea. A través del display se diferencian ambas sesiones de carga de forma independiente.

Para gestionar el proceso de carga seguir las indicaciones mostradas por display.

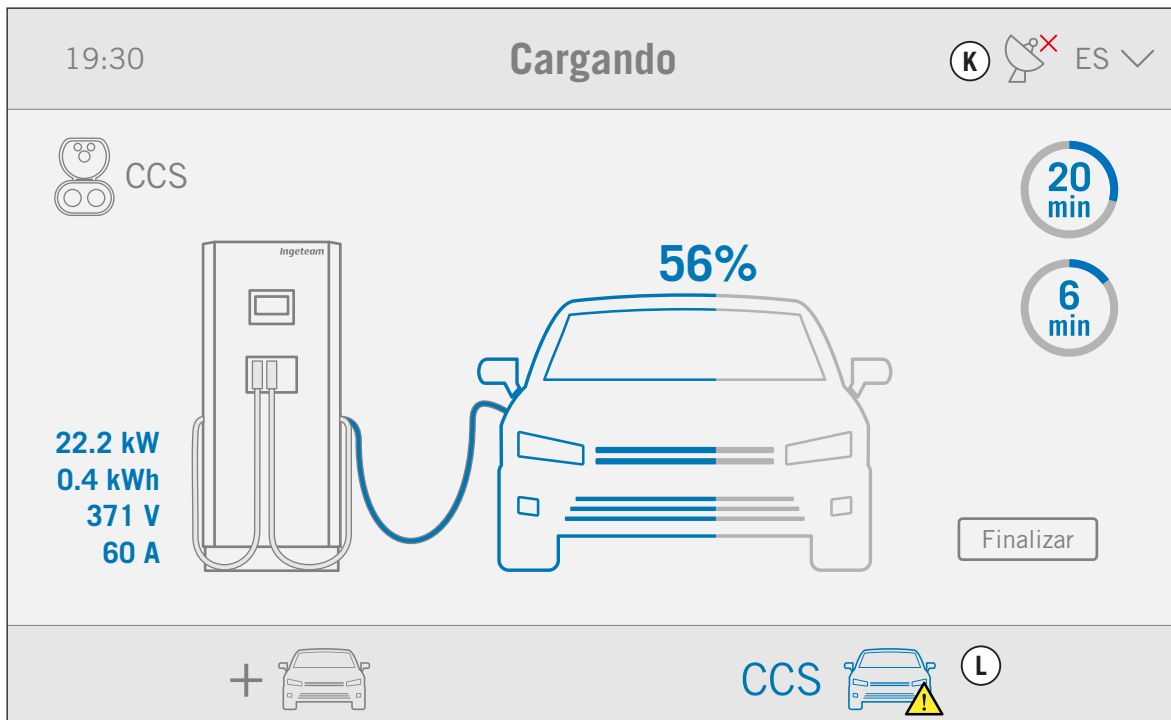
11.1. Pantalla de carga

En la pantalla de carga se muestra la siguiente información:



- | | |
|--|--|
| A. Hora | G. Tiempo restante para finalizar la carga |
| B. Selector de idioma | H. Botón para finalizar la carga |
| C. Toma seleccionada | I. Selector de la sesión de carga |
| D. Potencia, energía consumida, tensión y corriente de carga | J. Botón para añadir una sesión de carga en caso de que sea posible. En caso de que estén abiertas dos sesiones de carga desde esta barra inferior se podrá seleccionar una u otra |
| E. Estado de carga | |
| F. Tiempo transcurrido desde el inicio de la carga | |

En caso de producirse un aviso se mostrarán de la siguiente manera:



K. Fallo de comunicación. La estación ha perdido la conexión a internet o la conexión con el gestor central

L. Excepción producida en la sesión de carga indicada. En este caso indica una incidencia en la sesión de carga número 2

11.2. Proceso para realizar una carga

A continuación se describe el proceso para realizar una carga.

1. En caso de que se esté realizando una carga en la estación, el primer paso consiste en añadir un vehículo a través del display (en caso contrario este paso no es necesario). La estación de recarga puede realizar dos cargas simultáneas: AC y CCS o AC y CHAdeMO. No es posible la carga simultánea de CCS y CHAdeMO. Pulsar sobre el siguiente icono:



2. Seleccionar la toma deseada en función de las características del equipo. En la pantalla se mostrarán las tomas disponibles.
3. A continuación se solicita la identificación del usuario mediante tarjeta. Aproximar la tarjeta al lector situado en la parte inferior del display.
4. Se muestra un detalle de las tarifas aplicables.
5. Conectar el vehículo a la estación de recarga.
6. Se inicia el proceso de carga.
7. Una vez concluida la carga pulsar sobre *Finalizar* y seguir el proceso guiado por el display.

12. Solución de problemas

ATENCIÓN

La solución de problemas de la estación debe ser realizada por personal cualificado atendiendo a las condiciones generales de seguridad dadas en este manual.

12.1. Alarmas

Alarma	Descripción	Solución
Seta de emergencia	La seta de emergencia está pulsada	Liberar la seta de emergencia
Fallo Bloqueo Conector	Fallo en el bloqueo del conector	Desconectar el conector y comprobar su funcionalidad e integridad. Si el problema persiste contactar con Ingeteam
Error Comunicación EV	Error en la comunicación estación de recarga-vehículo eléctrico	Reiniciar el proceso de carga. Si el problema persiste contactar con Ingeteam
Fallo de Aislamiento	Impedancia de aislamiento por debajo de límites	Desconectar el conector del vehículo. Comprobar si el fallo de aislamiento ha desaparecido. En caso afirmativo, el fallo se produce en el vehículo por lo que deberá ser revisado en su taller de confianza. Si el fallo de aislamiento persiste, contactar con Ingeteam
Temperatura Fuera de Límites	Temperatura de la estación de recarga fuera del rango operativo	Comprobar que los radiadores estén limpios y que los ventiladores funcionen correctamente. Proteger el equipo de la exposición directa a la luz solar. Asegurar que la temperatura ambiente está dentro del rango de funcionamiento.
Error en Lector RFID	Fallo en el lector de tarjetas	Acercar la tarjeta al lector RFID. Si el problema persiste contactar con Ingeteam.
Red Fuera de Límites	Tensión o frecuencia de red AC fuera del rango definido	Verificar el correcto cableado. Comprobar las conexiones. Comprobar que la tensión o la frecuencia de la red eléctrica están dentro de límites.
Fallo del Dispositivo	Algún parámetro del cargador se encuentra fuera del rango operativo	Si el fallo es temporal, éste desaparece automáticamente. En caso de persistir, apuntar el código mostrado y contactar con Ingeteam

13. Desconexión del equipo

En este apartado se detalla el procedimiento para desconectar el equipo. En caso de querer operar en el interior del equipo es obligatorio seguir estas instrucciones en el mismo orden en el que aquí aparecen para quitar tensión.

1. En caso de existir un proceso de carga activo finalizar la sesión de carga.
2. Pulsar la seta de emergencia.
3. Quitar tensión AC desde un medio de desconexión externo al equipo.
4. Esperar 10 minutos a que se descarguen las capacitancias internas existentes, a que se enfríen los elementos internos y a que se detenga el movimiento residual de las aspas de los ventiladores.
5. Abrir el equipo y, con los EPI adecuados, comprobar ausencia de tensión en la acometida AC.
6. Señalizar zona de corte con cartel de "*Atención prohibido maniobrar ...*". En caso de ser necesario delimitar la zona de trabajo.

14. Mantenimiento

⚠ ATENCIÓN

Las labores de mantenimiento que se recomiendan serán realizadas con periodicidad mínima anual, salvo aquellas en que se indique lo contrario.

14.1. Condiciones de seguridad

⚠ PELIGRO

Todas las comprobaciones de mantenimiento que aquí se recogen deberán hacerse con el conjunto de la máquina parada, en condiciones seguras de manipulación, incluyendo las especificadas por el cliente para este tipo de operaciones.

La apertura de la envolvente no implica en ningún caso la ausencia de tensión en el equipo, por lo que el acceso a éste solamente puede ser realizado por personal cualificado y siguiendo las condiciones de seguridad establecidas en este documento.

Antes de abrir el equipo habrá que quitar tensión (ver apartado "13. Desconexión del equipo").

Asegurar la ausencia de tensión en el equipo antes de iniciar las tareas de mantenimiento.

Para realizar las labores de mantenimiento en el equipo se han de utilizar el Equipo de Protección Individual especificado en el apartado "Equipo de Protección Individual (EPI)" en este documento.

⚠ ATENCIÓN

El conjunto de condiciones que se detallan a continuación deben considerarse como mínimas.

Ingeteam no se responsabiliza de los daños que pudieran causarse por una utilización inadecuada de los equipos. Toda intervención que se realice sobre cualquiera de estos equipos que suponga un cambio en las disposiciones eléctricas respecto a las originales deberán ser previamente propuestas a Ingeteam. Éstas deberán ser estudiadas y aprobadas por Ingeteam.

i INFO

El cableado debe de conducirse al interior del equipo mediante un conduit, que se introducirá a través de un racor con el fin de mantener el grado de protección del equipo.

14.2. Estado de las mangueras y conectores de carga

Comprobar el correcto estado de las mangueras y conectores. No deben existir golpes o cortes. Comprobar el correcto funcionamiento de los conectores.

14.3. Estado de la envolvente

Es necesaria una comprobación periódica del estado de la envolvente verificando el estado de los cierres y puerta, así como el anclaje de los equipos al suelo. Asimismo, se debe comprobar el buen estado de la envolvente y la ausencia de golpes o rayas que pudieran degradar la envolvente o hacerle perder su índice de protección. En el caso de que se apreciaran este tipo de defectos, se deberán reparar o sustituir aquellas partes afectadas.

14.4. Estado de los cables y terminales

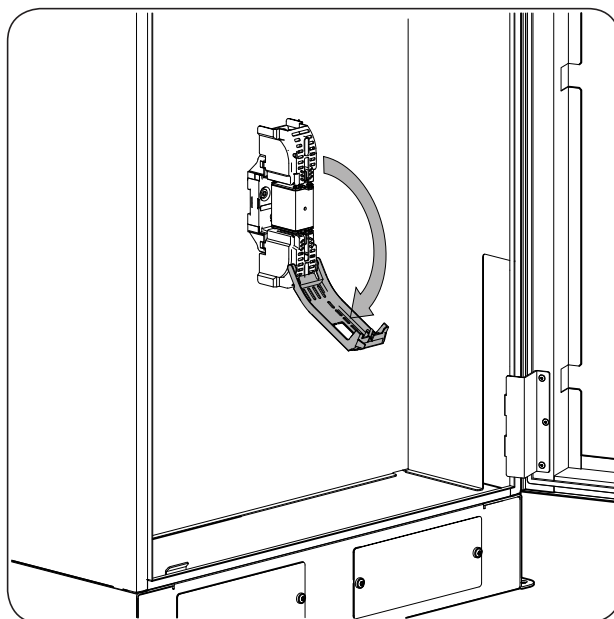
Es necesario realizar una inspección anual del estado de los cables y terminales:

- Comprobar el correcto guiado de los cables de forma que estos no estén en contacto con partes activas.
- Revisar deficiencias en los aislamientos y puntos calientes, verificando el color del aislamiento y terminales.
- Comprobar que las conexiones tienen el par de apriete adecuado.

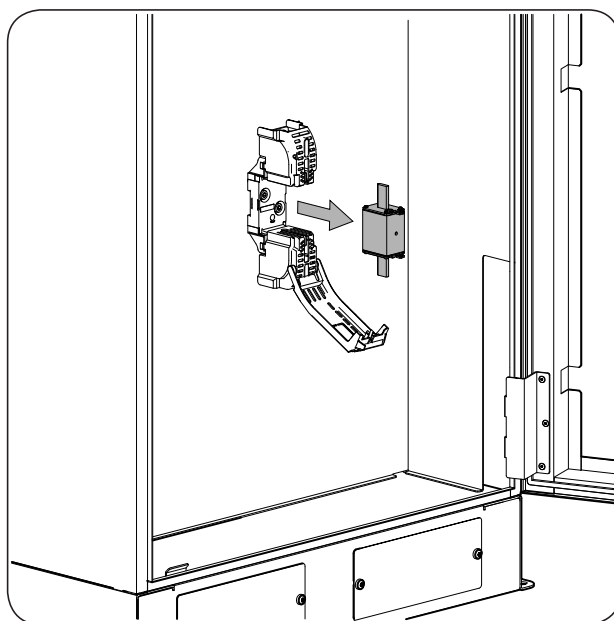
14.5. Cambio del fusible

En caso de ser necesario el cambio del fusible seguir el siguiente orden:

1. Con la puerta del cargador abierta acceder a la zona del fusible y abrir el portafusibles.



2. Extraer el fusible.



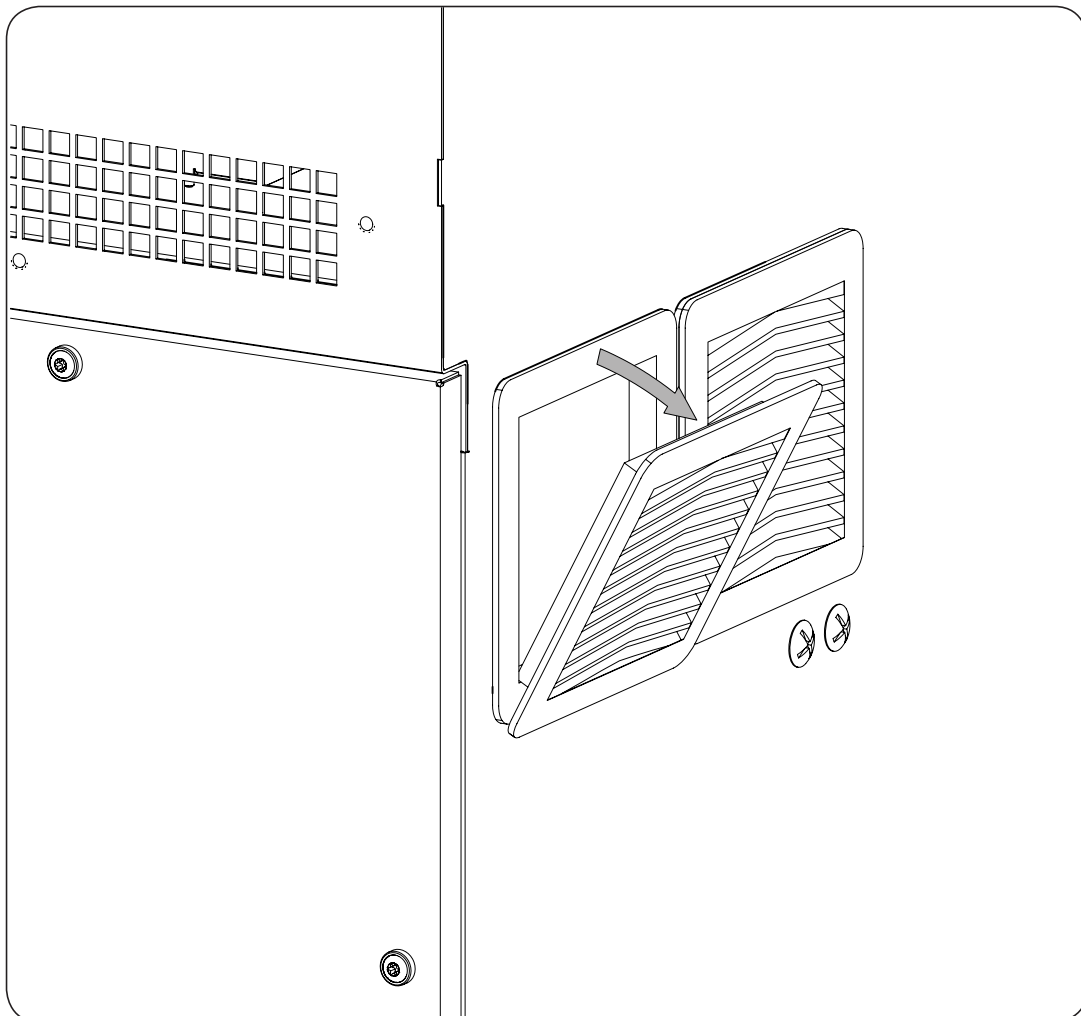
3. Instalar el nuevo fusible.
4. Cerrar el portafusibles.

⚠ PELIGRO

El equipo podría verse dañado en caso de introducir de forma incorrecta el fusible en el portafusibles.

14.6. Limpieza o cambio de filtros

Retirar y limpiar los filtros de las rejillas de ventilación del equipo. En caso de deterioro se deberán reemplazar por filtros nuevos equivalentes clase G4 IP55.



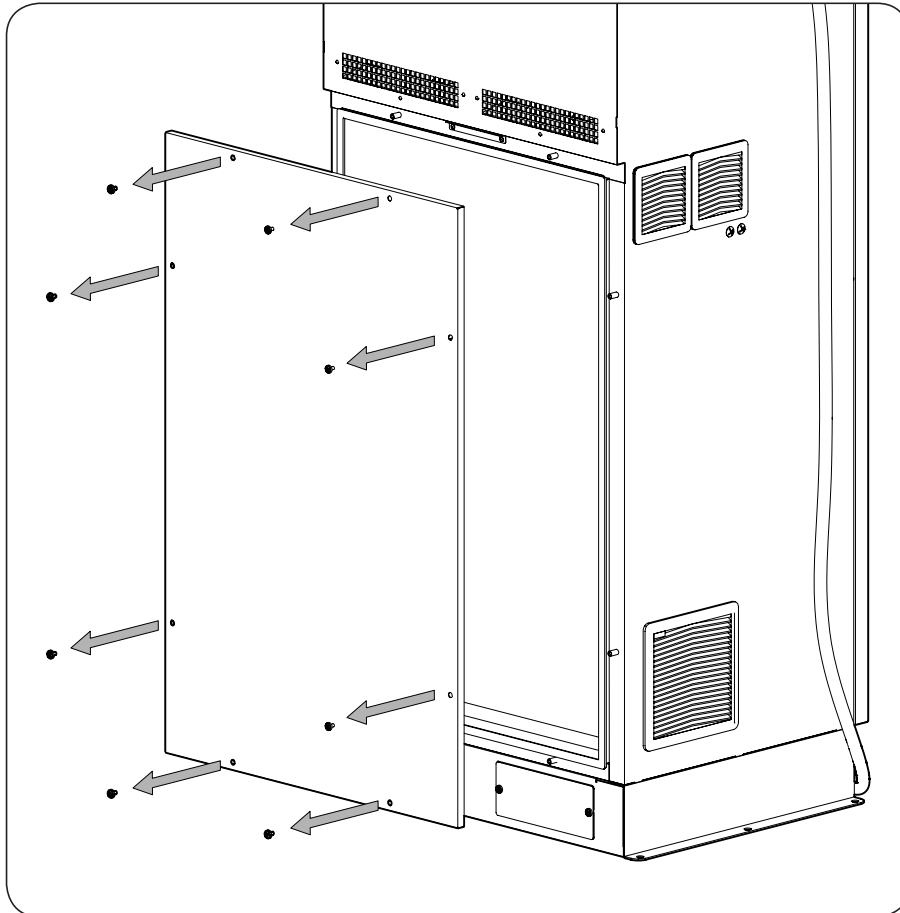
14.7. Cambio de ventiladores

Este cargador viene equipado con cuatro ventiladores en los laterales, necesarios para su adecuada refrigeración.

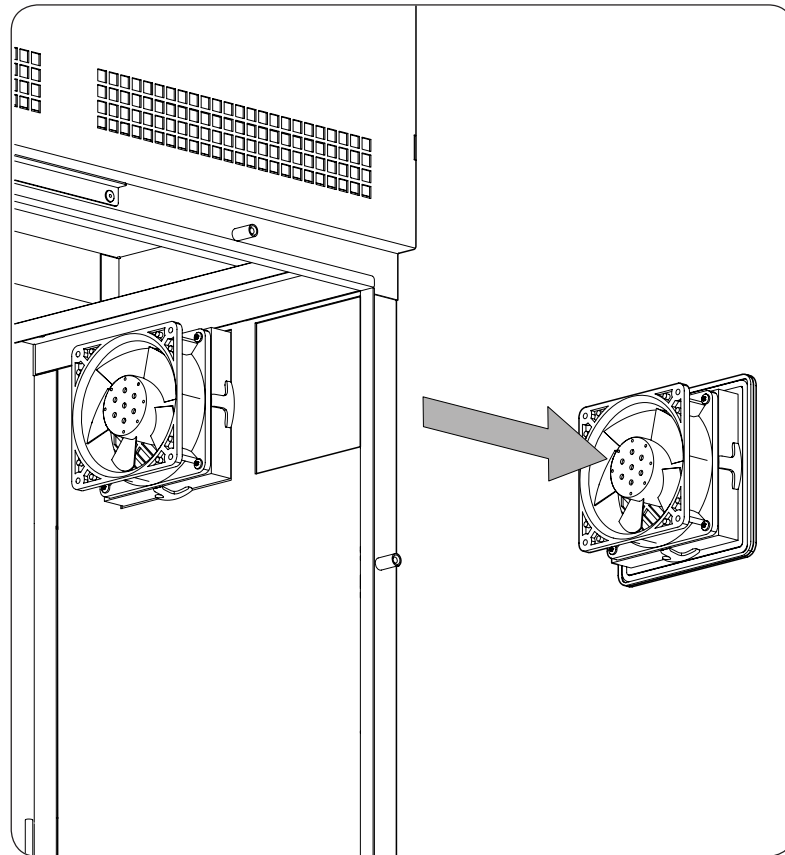
La vida estimada de estos ventiladores depende en gran medida de las condiciones de temperatura ambiente. En unas condiciones medias de funcionamiento se estima que puede ser de 10 años.

Se recomienda la sustitución de los ventiladores pasado este tiempo. Para ello seguir las siguientes indicaciones:

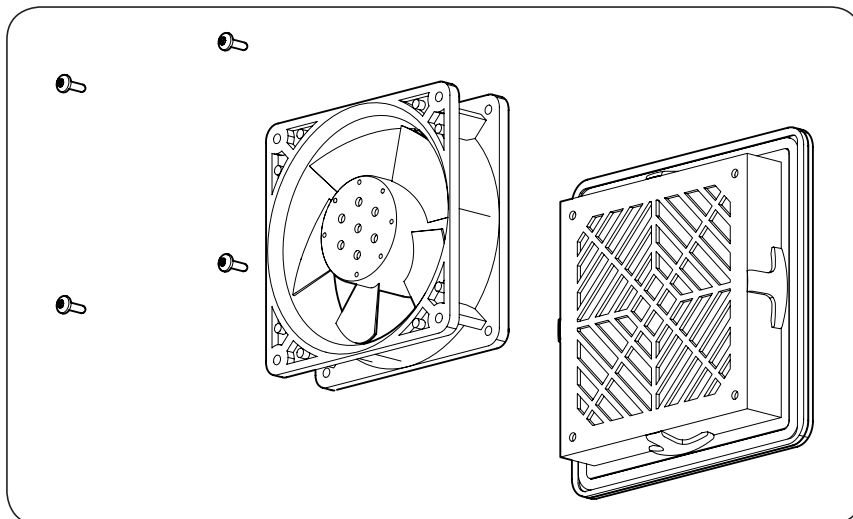
1. Retirar la tapa trasera de la estación de recarga.



- Desenclavar el conjunto ventilador-porta filtros desde el interior de la estación. Tener precaución con el cableado del ventilador.



- Retirar los tornillos de fijación del ventilador.



- Desconectar el cableado del ventilador.
- Sustituir por el ventilador nuevo y seguir el orden inverso para terminar el montaje.

15. Tratamiento de residuos

Estos equipos utilizan componentes nocivos para el medio ambiente (tarjetas electrónicas, baterías o pilas, etc.).

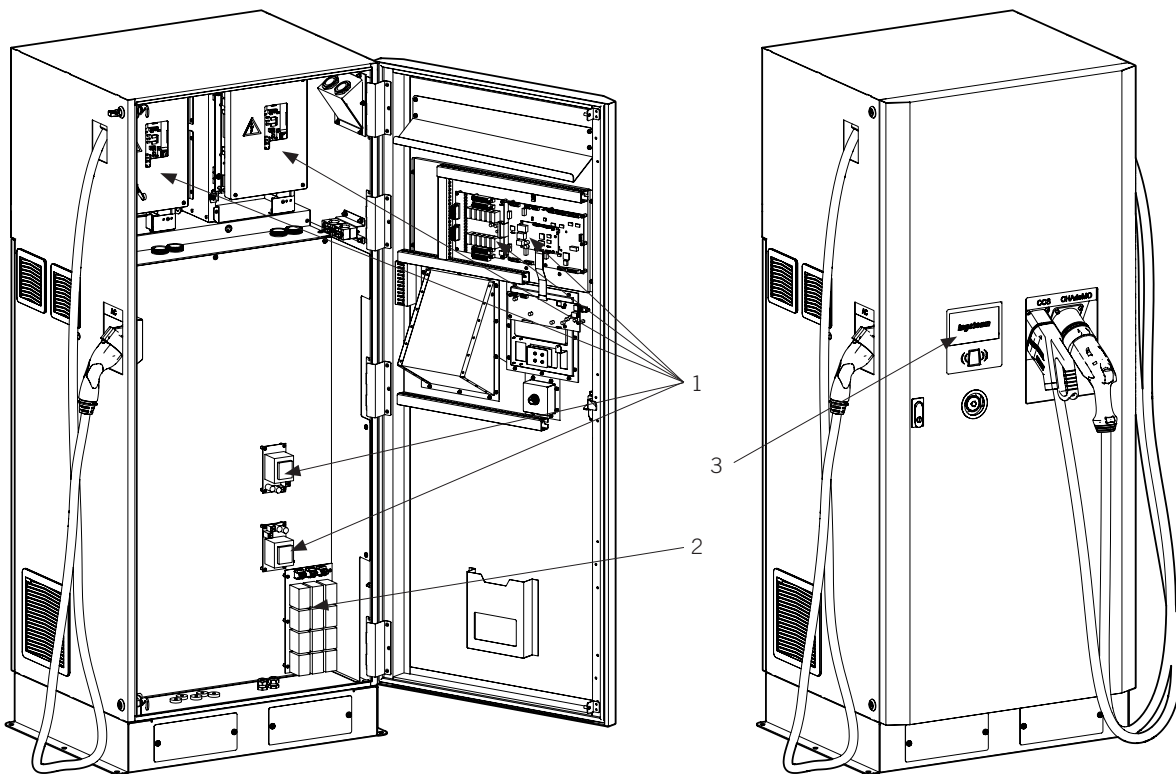


Concluida la vida útil del equipo, el residuo debe ser puesto en manos de un gestor autorizado de residuos peligrosos para su correcto procesado.

Ingeteam siguiendo una política respetuosa con el medio ambiente, a través de este apartado, informa al gestor autorizado respecto a la localización de los componentes a descontaminar.

Los elementos presentes en el interior del equipo y que han de ser tratados específicamente son:

1. Tarjetas de circuitos impresos.
2. Condensadores Electrolíticos o que contengan PCB.
3. Display.



Conditions importantes de sécurité

Cette section décrit les avertissements de sécurité et les équipements de protection individuelle ou les symboles utilisés sur l'appareil.

Conditions de sécurité

Avertissements généraux

DANGER

L'ouverture de l'enveloppe n'implique pas qu'il n'y ait pas de tension à l'intérieur.

Même après avoir déconnecté le réseau, le risque de décharge électrique persiste.

Seul le personnel qualifié est autorisé à l'ouvrir en respectant les instructions de ce manuel.

Il est expressément interdit d'accéder à l'intérieur du tableau électrique par tout autre point que les portes d'accès prévues à cet effet. L'accès doit toujours être réalisé hors tension.

ATTENTION

Les opérations décrites dans ce manuel ne doivent être réalisées que par du personnel qualifié.

Les aptitudes du personnel qualifié auxquelles se réfère ce manuel doivent être, au minimum, celles qui satisfont à toutes les normes, règlements et lois en matière de sécurité applicables aux travaux d'installation et à l'utilisation de cet appareil.

La responsabilité de désigner le personnel qualifié est toujours à la charge de l'entreprise à laquelle appartient ce personnel. Pour préserver la sécurité de l'employé tout en respectant la loi sur la sécurité au travail, c'est à l'entreprise de déterminer qui est apte ou non à réaliser un travail.

Ces entreprises sont responsables de former leur personnel sur les appareils électroniques ainsi que de le familiariser avec le contenu de ce manuel.

Veillez tenir compte qu'il est obligatoire de respecter la législation en vigueur en matière de sécurité pour les travaux d'électricité. Il existe un danger de décharge électrique.

Le respect des instructions de sécurité exposées dans ce manuel ou de la loi n'exclut pas de se conformer aux autres normes spécifiées de l'installation, du lieu, du pays ou de toute autre circonstance qui affecte l'appareil.

L'ensemble des conditions détaillées dans ce document doit être considéré comme un minimum. Il est toujours préférable de couper l'alimentation générale. Il peut y avoir des défauts sur l'installation provoquant des retours de tension non souhaités. Il existe un danger de décharge électrique.

Conformément aux normes de sécurité de base, tout l'appareil doit être adéquat pour protéger les opérateurs exposés des risques de contacts directs et indirects. Quoi qu'il en soit, les pièces électriques des équipements de travail doivent être conformes aux dispositions de la réglementation spécifique correspondante.

Conformément aux normes de sécurité de base, l'installation électrique ne doit pas entraîner de risques d'incendie ou d'explosion. Les opérateurs doivent être dûment protégés contre les risques d'accidents provoqués par des contacts directes et indirectes. L'installation électrique et les dispositifs de protection doivent tenir compte des facteurs externes conditionnant et des compétences des personnes ayant accès aux pièces de l'installation.

Pour vérifier l'absence de tension, il faut obligatoirement utiliser des éléments de mesure de catégorie III-1 100 volts.

INFO

Ces instructions doivent être accessibles, se trouver à proximité de l'appareil et être à portée de main de tous les opérateurs.

Avant l'installation et la mise en marche, veuillez lire attentivement ces instructions de sécurité et avertissements ainsi que tous les signes d'avertissement placés sur l'appareil. S'assurer que toutes les signalisations sont parfaitement lisibles et que les panneaux endommagés ou absents sont remplacés.

i INFO

La protection contre les contacts directs se fait par enveloppe.

L'appareil a été testé conformément à la réglementation applicable pour garantir qu'il remplit les exigences de sécurité, de valeurs de distances d'isolation et des lignes de fuite pour les tensions d'utilisation.

Dangers potentiels pour les personnes**⚠ DANGER**

Électrocution.

L'appareil peut rester chargé après déconnexion de l'alimentation sur secteur.

Suivez attentivement les étapes obligatoires du manuel pour mettre le dispositif hors tension.

Explosion.

Il existe un risque très peu probable d'explosion dans des cas très spécifiques de dysfonctionnement.

La carcasse ne protégera les personnes et les biens de l'explosion que si elle est bien fermée.

Écrasement et lésions articulaires.

Suivez toujours les indications du manuel pour déplacer et mettre l'appareil en place.

S'il n'est pas correctement manipulé, le poids de cet appareil peut produire des lésions et des blessures graves, voire mortelles.

Haute température.

Le débit d'air de sortie peut atteindre des températures très élevées pouvant blesser les personnes exposées.

Dangers potentiels pour l'appareil**⚠ DANGER**

Refroidissement.

L'appareil nécessite un flux d'air sans particules lorsqu'il est en fonctionnement.

Il est indispensable de le maintenir en position verticale et de dégager les entrées de tout obstacle pour que ce flux d'air atteigne l'intérieur de l'appareil.

Ne touchez pas les cartes ni les composants électroniques. Les composants les plus sensibles peuvent être endommagés ou détruits par l'électricité statique.

Ne procédez pas à la déconnexion ou à la connexion d'une cosse lorsque l'appareil est en marche. Déconnectez-le et vérifiez l'absence de tension avant de procéder.

Afin d'éviter l'usure prématurée des raccords vissés des panneaux de l'enveloppe de l'appareil, il faut que les tâches de retrait et d'installation des vis s'effectuent avec un outil manuel.

Équipements de protection individuelle (EPI)

Lors de la réalisation de travaux sur l'appareil, utilisez toujours, au minimum, les équipements de sécurité suivants recommandés par Ingeteam.

Dénomination	Explication
Chaussures de sécurité	Conformes à la norme <i>UNE-EN-ISO 20345:2012 ANSI Z41.1-1991</i>
Casque avec visière de protection	Conforme à la norme <i>UNE-EN 397:1995, ANSI Z89.1-2014</i> , à condition qu'il existe des éléments sous tension directement accessibles.
Vêtements de travail	Ajustés, ignifugés, 100% coton
Gants diélectriques	Conformes à la norme <i>EN 60903:2005 ASTM D 120-87</i>

Les outils et/ou appareils utilisés pour les travaux sous tension doivent posséder, au moins, une isolation de classe III-1100 volts.

Dans le cas où la réglementation locale exige d'autres types d'équipements de protection individuelle, les équipements recommandés par Ingeteam doivent être dûment complétés.

Table des matières

Conditions importantes de sécurité.....	85
Conditions de sécurité	85
Équipements de protection individuelle (EPI).....	87
Table des matières	88
1. Information concernant ce manuel.....	90
1.1. Champ d'application et nomenclature.....	90
1.2. Destinataires	90
1.3. Symbolique.....	90
2. Description de l'appareil.....	91
2.1. Description générale	91
2.2. Modèles.....	91
2.3. Connecteurs.....	91
2.3.1. Connecteurs pour charge DC.....	91
2.3.2. Connecteur pour charge AC	92
2.4. Protections.....	93
2.5. Accessoires présents de série.....	93
2.6. Accessoires en option.....	94
2.7. Sécurité électrique.....	94
2.7.1. Catégorie de surtension (OVC).....	94
2.8. Pollution sonore.....	94
2.9. Schéma électrique du système.....	95
2.10. Tableau des caractéristiques	96
2.11. Description des accès de câbles.....	97
3. Réception et stockage de l'appareil.....	98
3.1. Réception	98
3.2. Identification de l'appareil.....	98
3.3. Dommages lors du transport.....	98
3.4. Stockage.....	98
3.5. Conservation.....	98
4. Transport de l'appareil.....	99
4.1. Centre de gravité.....	99
4.2. Déballage.....	99
4.3. Transport.....	100
5. Préparation pour l'installation de l'appareil.....	101
5.1. Environnement	101
5.2. Environnement	102
5.3. Conditions environnementales.....	102
5.4. Surface d'appui et de fixation	103
5.5. Exigences du fusible	104
5.6. Type de réseau.....	105
5.7. Longueur du câblage.....	106
5.8. Système de déconnexion externe	106
5.9. Transformateur moyenne tension	106
6. Installation de l'appareil	107
6.1. Exigences générales d'installation	107
6.2. Fixation de l'appareil.....	107
7. Raccordement des accessoires	109
7.1. Consignes de sécurité pour le raccordement d'accessoires	109
7.2. Communication via Ethernet	109
7.2.1. Exigences du câblage.....	109
7.2.2. Processus de raccordement	109
8. Connexion AC.....	110
8.1. Consignes de sécurité pour la connexion de câbles AC.....	110
8.2. Spécifications des câbles pour la connexion AC	110
8.3. Processus de raccordement de câble AC	111

9. Première connexion au réseau électrique.....	112
9.1. Révision de l'appareil.....	112
9.1.1. Inspection.....	112
9.1.2. Fermeture hermétique de l'appareil.....	112
10. Configuration.....	113
10.1. Connexion locale.....	113
10.1.1. Connexion locale via Ethernet.....	113
10.1.2. Connexion locale via Wi-Fi.....	114
10.2. Connexion à distance.....	114
11. Utilisation de l'appareil.....	115
11.1. Écran de charge.....	115
11.2. Processus de réalisation de charge.....	116
12. Dépannage.....	117
12.1. Alarmes.....	117
13. Déconnexion de l'appareil.....	118
14. Maintenance.....	119
14.1. Conditions de sécurité.....	119
14.2. État des câbles et connecteurs de charge.....	119
14.3. État de l'enveloppe.....	119
14.4. État des câbles et des cosses.....	119
14.5. Remplacement du fusible.....	120
14.6. Nettoyage ou remplacement de filtres.....	121
14.7. Remplacement des ventilateurs.....	122
15. Traitement des déchets.....	124

1. Information concernant ce manuel

Le but de ce manuel est de décrire les appareils INGEREV RAPID 50 et de fournir les informations nécessaires pour leur bonne réception, installation, mise en marche, maintenance et utilisation.

1.1. Champ d'application et nomenclature

Ce manuel est valable pour les appareils suivants :

Nom complet	Abréviation
INGEREV RAPID 50 Trio	Trio
INGEREV RAPID 50 Duo	Duo
INGEREV RAPID 50 One	One

1.2. Destinataires

Le présent document est dirigé au personnel qualifié.

Les aptitudes du personnel qualifié auxquelles se réfère ce manuel doivent être, au minimum, celles qui satisfont à toutes les normes, règlements et lois en matière de sécurité applicables aux travaux d'installation et à l'utilisation de cet appareil.

La responsabilité de désigner le personnel qualifié est toujours à la charge de l'entreprise à laquelle appartient ce personnel. Pour préserver la sécurité de l'employé tout en respectant la loi sur la sécurité au travail, c'est à l'entreprise de déterminer qui est apte ou non à réaliser un travail.

Ces entreprises sont responsables de former leur personnel sur les appareils électroniques ainsi que de le familiariser avec le contenu de ce manuel.

1.3. Symbolique

Dans ce manuel apparaissent des avertissements permettant de mettre en avant les informations à souligner. En fonction de la nature du texte contenu, il existe trois types d'avertissements :



Indique des risques pour l'intégrité du personnel ou du chargeur.



Indication à caractère important.



Informations supplémentaires ou références à d'autres parties du document, ou à d'autres documents.

2. Description de l'appareil

2.1. Description générale

Les chargeurs INGEREV RAPID 50 sont le modèle de charge rapide multi-standard pensé pour les exigences de charge rapide des véhicules électriques les plus actuels, permettant de récupérer jusqu'à 100 km d'autonomie en 20 minutes maximum.

INGEREV RAPID 50, grâce à ses différents modèles, est compatible avec le mode 4 via les normes CHAdeMO et CCS en courant continu et avec le mode 3 avec AC Type 2 en courant alternatif.

Il a été conçu pour l'utilisation en extérieur et peut être installé dans des emplacements à l'accès non restreint. Du fait de sa nature, il s'agit d'un appareil fixe à monter au sol, classé comme appareil de classe I.

2.2. Modèles

Les chargeurs INGEREV RAPID 50 disposent de plusieurs modèles, pour lesquels les types de connecteur suivants sont disponibles :

	Type de connecteur		
	Courant continu		Courant alternatif
	CCS	CHAdeMO	AC Type 2
INGEREV RAPID 50 Trio	●	●	●
INGEREV RAPID 50 Duo	●	●	○
INGEREV RAPID 50 One	●	○	○

● Équipé // ○ Non équipé

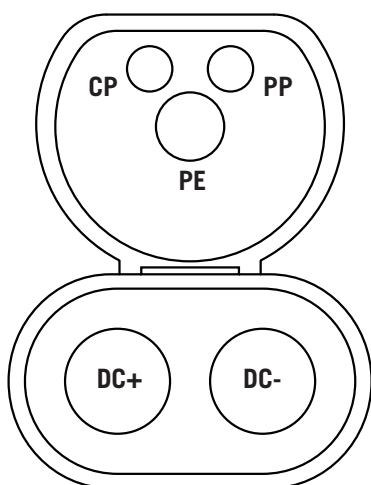
Ces modèles sont conçus pour rester connectés au réseau public AC. Tous génèrent du courant DC et, dans le cas de l'INGEREV RAPID 50 Trio, également du courant AC.

2.3. Connecteurs

2.3.1. Connecteurs pour charge DC

Les connecteurs suivants sont basés sur les standards pour la charge rapide en DC de véhicules électriques.

CCS



PP : *Proximity Pilot*, signal de préinsertion

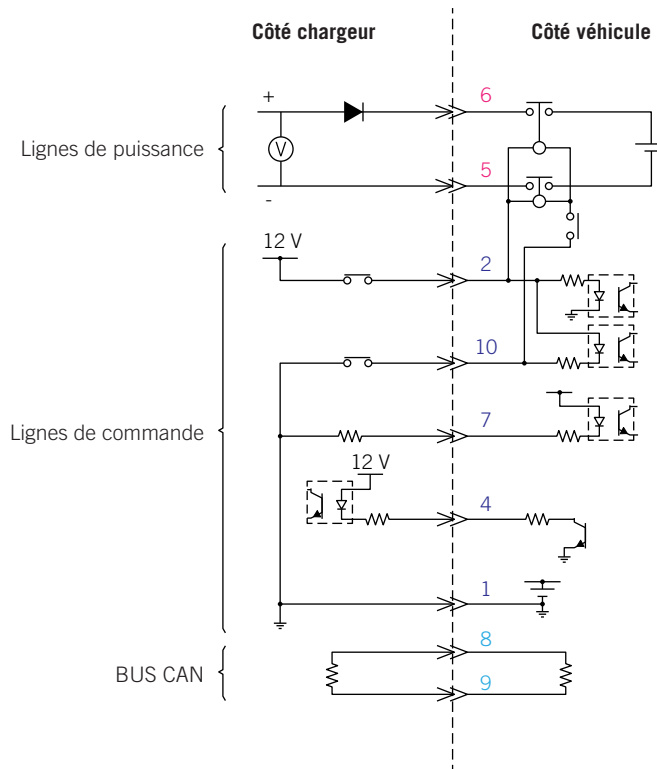
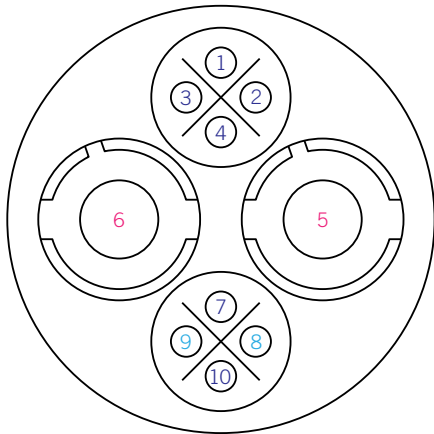
CP : *Control Pilot*, signal de post-insertion

PE : *Protective Earth*, terre

DC+

DC-

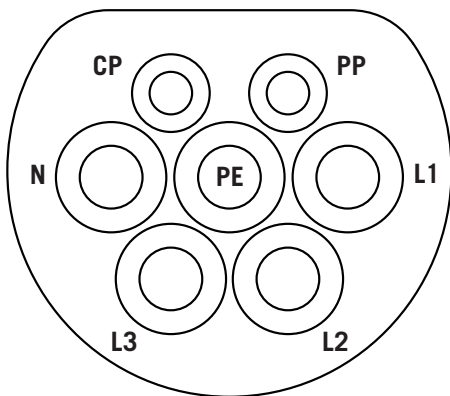
CHAdeMO



2.3.2. Connecteur pour charge AC

Le connecteur suivant est basé sur les standards pour la charge rapide en AC de véhicules électriques.

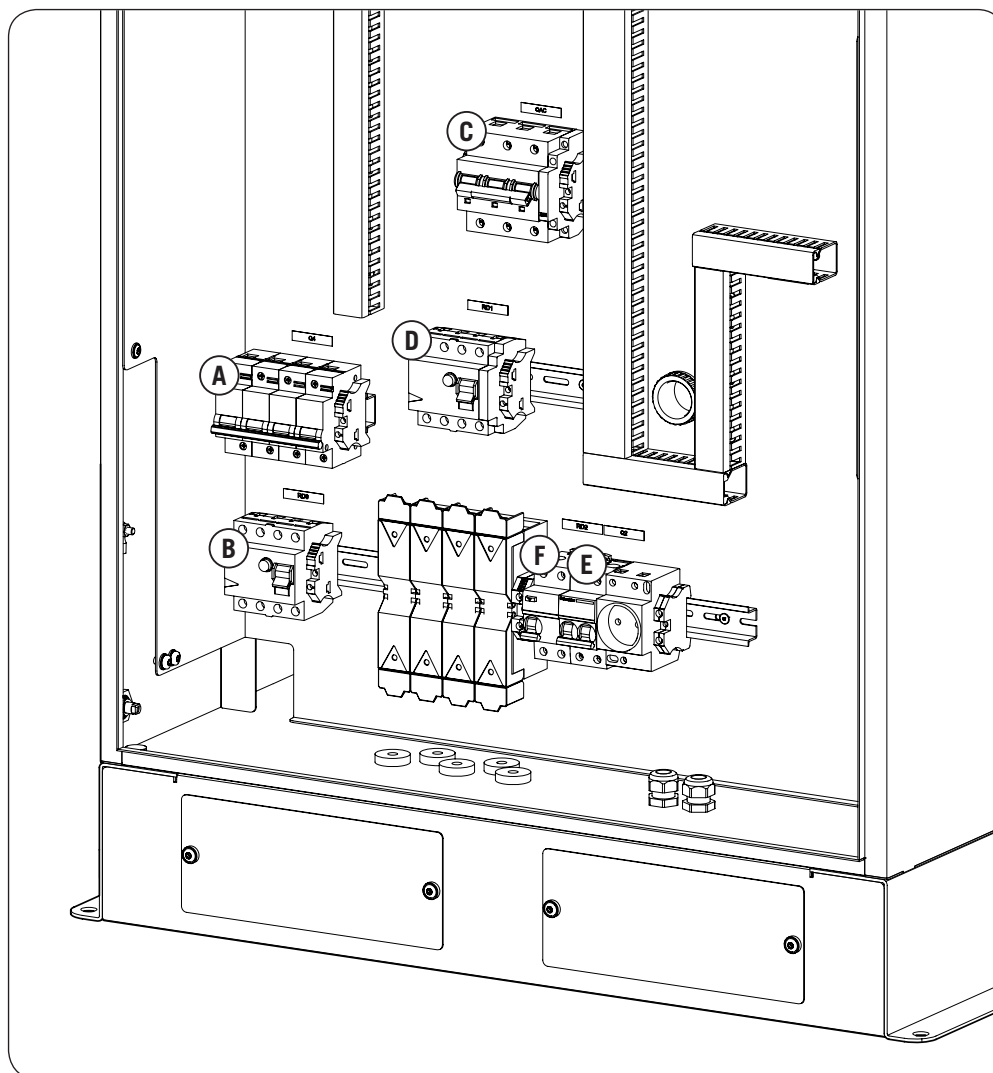
CEI 62196-2 AC Type 2



- PP : *Proximity Pilot*, signal de préinsertion
- CP : *Control Pilot*, signal de post-insertion
- PE : *Protective Earth*, terre
- N : Neutre
- L1 : Phase 1
- L2 : Phase 2
- L3 : Phase 3

2.4. Protections

Cette station de recharge dispose de plusieurs protections, décrites ci-après.



- | | |
|--|--|
| A. Q4 (AC). Disjoncteur magnétothermique 80 A Courbe C (Trio uniquement) | D. RD1 (DC). Disjoncteur 30 mA 100 A Type A |
| B. RD3 (AC). Disjoncteur 30 mA 63 A Type B (Trio uniquement) | E. Q2 (auxiliaires). Disjoncteur magnétothermique 6 A Courbe C |
| C. QAC (DC). Disjoncteur magnétothermique 100 A Courbe C | F. RD2 (auxiliaires). Disjoncteur 30 mA 25 A Type AC |

2.5. Accessoires présents de série

- Communication Ethernet.
- Communication locale avec d'autres stations INGEREV.
- Compatibilité avec OCPP.
- Authentification à l'aide de cartes RFID / NFC.
- Écran d'interface.
- Enveloppe en acier haute résistance pour conditions environnementales sévères.

2.6. Accessoires en option

Ces appareils peuvent disposer des accessoires en option suivants :

- Communication 3G.
- Communication Wi-Fi.

2.7. Sécurité électrique

Ci-après sont exposées des valeurs de conception intéressantes pour la sécurité électrique.

2.7.1. Catégorie de surtension (OVC)

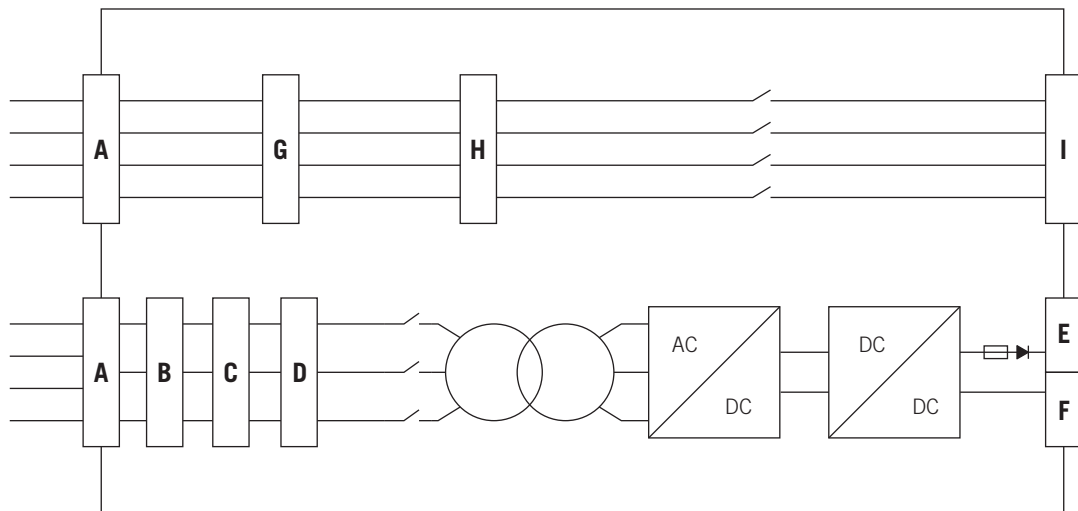
Ces appareils ont été conçus avec une catégorie de surtension OVC III en AC.

2.8. Pollution sonore

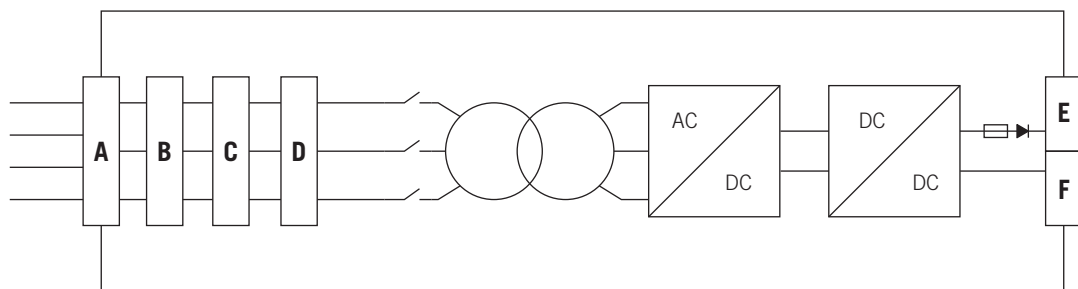
Le fonctionnement de cet appareil génère un bourdonnement. Ne le placez pas dans une pièce habitée ou sur des supports légers pouvant amplifier ce bourdonnement. La surface de montage doit être solide et adaptée au poids de l'appareil.

2.9. Schéma électrique du système

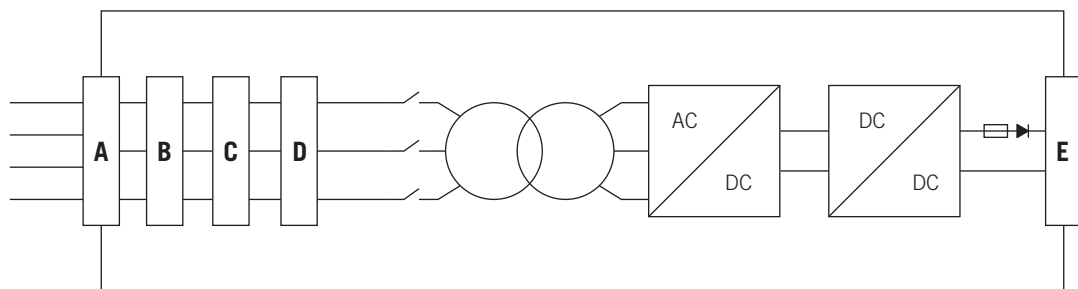
INGEREV RAPID 50 Trio



INGEREV RAPID 50 Duo



INGEREV RAPID 50 One



- | | |
|--|--|
| A. Alimentation | F. Connecteur CHAdeMO |
| B. Interrupteur magnétothermique et différentiel | G. Interrupteur magnétothermique et différentiel |
| C. Wattmètre | H. Wattmètre |
| D. Filtre EMI | I. Connecteur AC Type 2 |
| E. Connecteur CCS | |

2.10. Tableau des caractéristiques

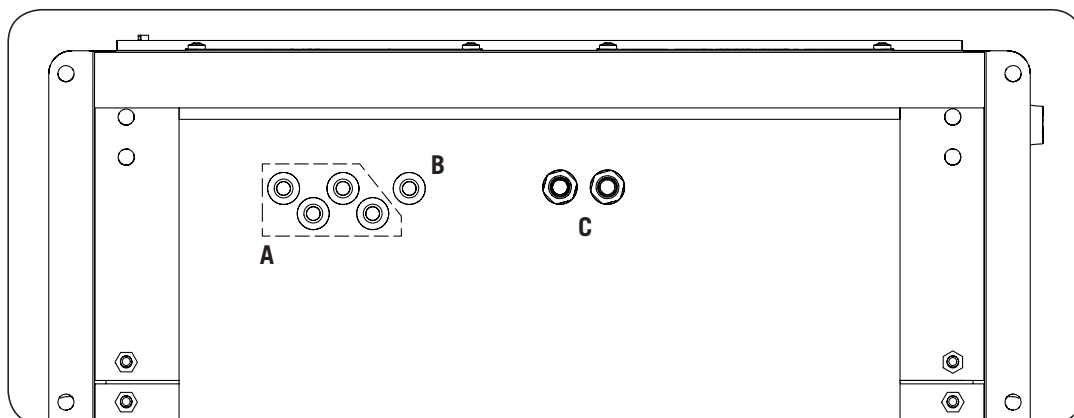
INGEREV RAPID 50 Trio / Duo / One	
Entrée AC (pour sortie DC)	
Tension	Trois phases + neutre + terre ; 400 Vca ± 15 %
Fréquence	50 Hz
Courant nominal	77 A
Puissance nominale	53 kVA
Efficacité	> 94 %
Facteur de puissance	> 0,98
Entrée AC (pour sortie AC)⁽¹⁾	
Tension	Trois phases + neutre + terre ; 400 Vca ± 15 %
Fréquence	50 Hz
Courant nominal	63 A
Puissance nominale	43,5 kVA
Connecteurs de charge	AC Mode 3 Type 2
Sortie (DC)	
Plage de tension	50 ~ 500 V
Courant maximal	125 A
Puissance maximale	50 kW
Connecteurs de charge	CCS Type 2 / CHAdeMO ⁽²⁾
Respect de la réglementation et sécurité	
Normes	CEI 61851-1, CEI 61851-23, CEI 61851-24, CHAdeMO 1.0.0, DIN 70121, ISO 15118, CEI 61000
Protection de surintensité	Disjoncteur magnétothermique 80 A Courbe C pour charge en AC Disjoncteur magnétothermique 100 A Courbe C pour charge en DC
Protection contre les contacts indirects	Disjoncteur 63 A 30 mA Type B pour charge en AC ⁽²⁾ Disjoncteur 100 A 30 mA Type A pour charge en DC
Protection contre la surtension	Limiteur de surtension type III
Informations générales	
Système de refroidissement	Ventilation forcée
Consommation en veille	< 100 W
Longueur du câblage	> 3 m ⁽³⁾
Température de service	-25 °C ~ 60 °C
Humidité	0 ~ 95 % (sans condensation)
Poids	620 kg
Dimensions	785 x 700 x 1900 mm
Indice de protection	IP54 / IK10 (écran et grilles de ventilation IK08)
Marquage	CE
Altitude maximale	Jusqu'à 2000 m

⁽¹⁾ uniquement pour Trio

⁽²⁾ uniquement pour Trio et Duo

⁽³⁾ en option, 3,8 m

2.11. Description des accès de câbles



- A. Alimentation AC. Plage de tuyau admissible 6 ~ 20 mm.
- B. Mise à la terre d'alimentation AC. Plage de tuyau admissible 6 ~ 20 mm.
- C. Câblage d'Ethernet et autres utilisations. Presse-étoupes M20. Plage de tuyau admissible 6 ~ 13 mm.

3. Réception et stockage de l'appareil

3.1. Réception

Conservez l'appareil emballé jusqu'à son installation.

3.2. Identification de l'appareil

Le numéro de série de l'appareil permet de l'identifier de manière non équivoque. Ce numéro doit être mentionné lors de toute communication avec Ingeteam.

Le numéro de série de l'appareil est également indiqué sur la plaque signalétique.

3.3. Dommages lors du transport

Si, pendant le transport, l'appareil a été endommagé, procédez comme suit :

1. Ne procédez pas à son installation.
2. Informez immédiatement le distributeur dans les cinq jours suivant la réception de l'appareil.

S'il est finalement nécessaire de renvoyer l'appareil au fabricant, utilisez le même emballage que celui dans lequel il vous a été livré.

3.4. Stockage

ATTENTION

Le non-respect des instructions fournies dans cette section peut causer des dommages à l'appareil.
Ingeteam n'assume aucune responsabilité en cas de dommages découlant du non-respect de ces instructions.

Si l'appareil n'est pas installé immédiatement après sa réception, prenez en compte les éléments suivants afin d'éviter qu'il ne se détériore :

- Stockez l'appareil dans son emballage d'origine.
- Maintenez l'appareil à l'abri de la saleté (poussière, copeaux, graisse, etc.) et des rongeurs.
- Évitez qu'il ne reçoive des projections d'eau, des étincelles de soudures, etc.
- Couvrez l'appareil avec un matériau de protection respirant afin d'éviter la condensation due à l'humidité ambiante.
- Les appareils entreposés ne doivent pas être soumis à des conditions climatiques différentes de celles qui sont indiquées dans la section « 2.10. Tableau des caractéristiques ».
- Il est essentiel de protéger l'appareil des produits chimiques corrosifs ainsi que des atmosphères salines.
- N'entreposez pas l'appareil à l'extérieur.

3.5. Conservation

Afin de permettre une bonne conservation des appareils, ne retirez pas l'emballage d'origine avant de procéder à leur installation.

En cas d'entreposage prolongé, il est recommandé de conserver les appareils dans des endroits secs, en évitant, si possible, les changements brusques de température.

La détérioration de l'emballage (déchirures, trous, etc.) empêche de conserver les appareils dans des conditions optimales avant leur installation. Ingeteam n'est pas tenu responsable du non-respect de cette condition.

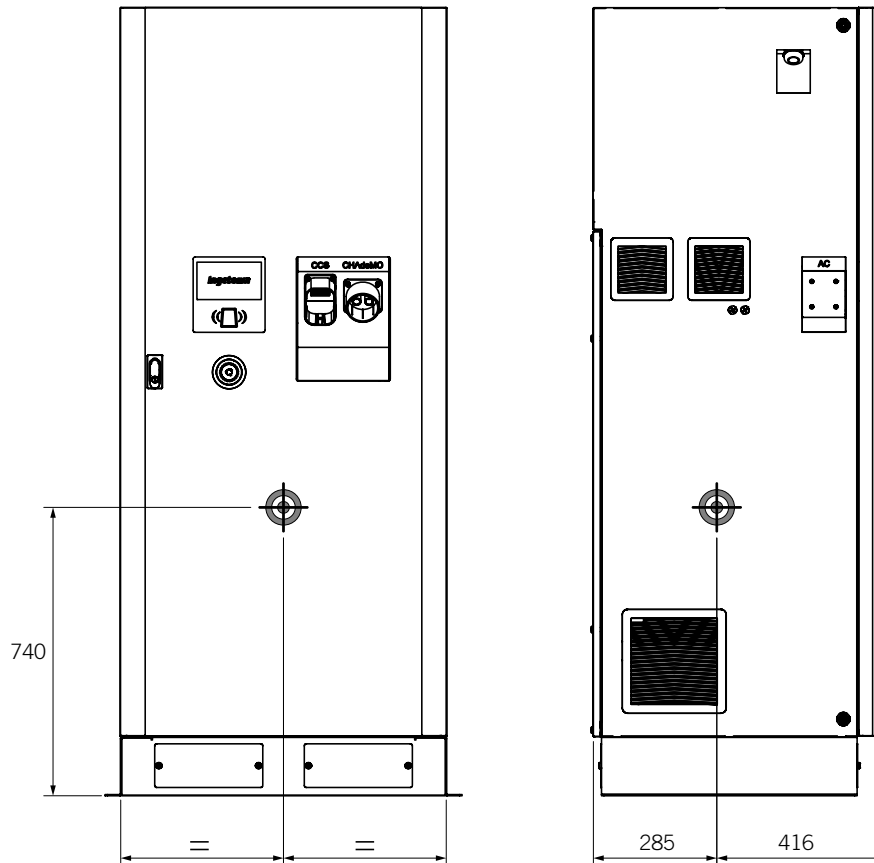
4. Transport de l'appareil

L'appareil doit être protégé, pendant son transport, contre les chocs mécaniques, les vibrations, les projections d'eau (pluie) et tout autre produit ou situation pouvant l'endommager ou altérer son comportement.

Le non-respect de ces instructions peut entraîner la perte de la garantie du produit ; Ingeteam n'en est pas responsable.

4.1. Centre de gravité

Lors de déplacements de l'appareil, tenez compte de son centre de gravité. Les illustrations suivantes donnent l'emplacement approximatif du centre de gravité.



4.2. Déballage

Il est essentiel de manipuler correctement les appareils afin de :

- ne pas abîmer l'emballage, qui permet de conserver les appareils dans des conditions optimales depuis leur expédition jusqu'au moment de leur installation ;
- Éviter les coups et/ou les chutes des appareils pouvant détériorer les caractéristiques mécaniques de ces derniers ; par exemple, mauvaise fermeture des portes, perte du degré de protection, etc.
- éviter, dans la mesure du possible, les vibrations qui peuvent provoquer un dysfonctionnement ultérieur ;

En cas d'anomalie, contactez immédiatement Ingeteam.

Se débarrasser de l'emballage

Tout l'emballage peut être remis à un centre agréé de récupération des déchets non dangereux.

Dans tous les cas, les parties de l'emballage seront réparties de la manière suivante :

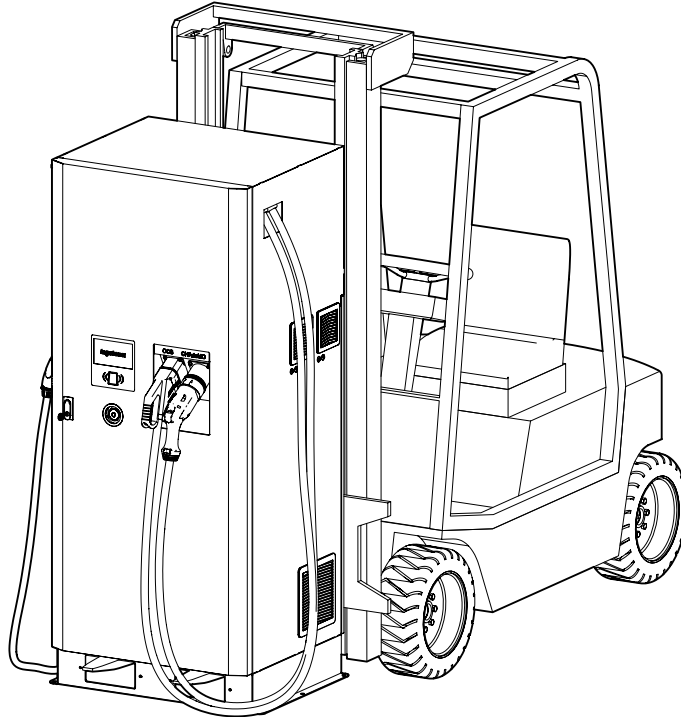
- Plastique (polystyrène, sac et papier bulle) : conteneur correspondant.
- Carton : conteneur correspondant.

4.3. Transport

Transport par transpalette ou chariot élévateur

Vous devez respecter au minimum les exigences suivantes :

1. Déposez les appareils centrés par rapport aux fourches.



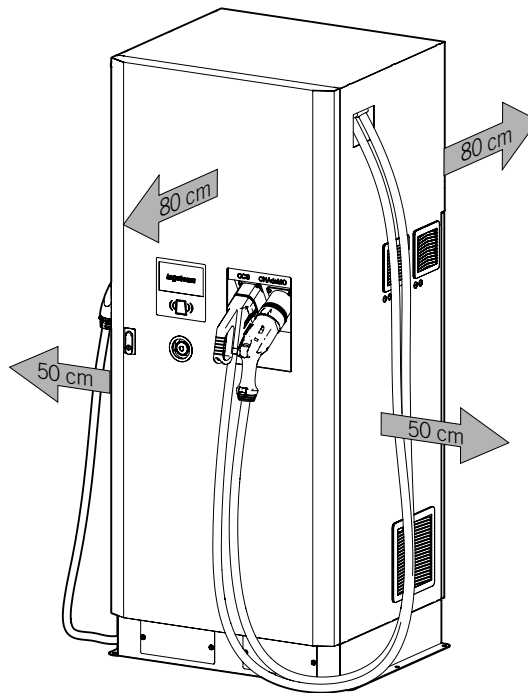
2. Veillez à les placer le plus près possible de la jonction entre les fourches et le tireur.
3. Assurez-vous que les fourches sont parfaitement nivelées afin d'éviter que l'appareil ne se renverse.
4. Dans tous les cas, respectez le manuel d'utilisation du transpalette ou du chariot.

5. Préparation pour l'installation de l'appareil

Au moment de décider de l'emplacement de l'appareil et de planifier son installation, vous devez suivre un ensemble de règles découlant de ses caractéristiques. Ces règles sont résumées dans ce chapitre.

5.1. Environnement

- Ces appareils peuvent être installés en intérieur et extérieur.
- Placez les appareils dans un lieu accessible pour les travaux d'installation et de maintenance, et permettant l'accès au panneau de commande.
- Évitez les environnements corrosifs qui peuvent affecter le bon fonctionnement de l'appareil.
- Ne laissez aucun objet appuyé sur l'appareil ou contre ses côtés, cela pourrait entraver la ventilation et provoquer des hautes températures.
- N'exposez pas les appareils directement au soleil.
- N'installez pas les appareils dans des salles habitées en raison du bruit provoqué par leur fonctionnement.
- En cas d'installation des appareils dans des espaces fermés (chambre, poste, etc.), assurez une ventilation correcte. La plage de fonctionnement des appareils dépend de leur température ambiante ; une ventilation insuffisante peut donc limiter leurs capacités.
- Si plus d'un appareil est installé, assurez-vous que l'extraction de l'air chaud des uns ne gêne pas la bonne ventilation des autres, en laissant une séparation latérale d'au moins 2 mètres.
- Évitez tout obstacle sur les distances minimales suivantes.



5.2. Environnement

- Placez les appareils dans un lieu accessible pour les travaux d'installation et de maintenance, et permettant la manipulation via l'écran TFT.
- Les sorties d'air et la partie du module de puissance peuvent atteindre des températures élevées. Ne placez à proximité aucun matériau sensible aux températures élevées.
- Évitez les environnements corrosifs qui peuvent affecter le bon fonctionnement de l'appareil. N'installez pas l'équipement dans des zones classées ATEX.
- Il est formellement interdit de poser tout objet sur l'appareil.
- Il est recommandé de placer les appareils sous un cache qui les protège de l'exposition directe, en orientant la partie avant vers le nord dans l'hémisphère nord et vers le sud dans l'hémisphère sud.

5.3. Conditions environnementales

Vous devez tenir compte des conditions environnementales de fonctionnement de l'appareil pour choisir son emplacement.

Conditions environnementales	
Température minimale	-20 °C
Température minimale de l'air environnant	-20 °C
Température maximale de service	60 °C ⁽¹⁾
Humidité relative maximale sans condensation	95 %
Altitude	2000 m ⁽²⁾

⁽¹⁾ Le fonctionnement de l'appareil à des températures supérieures à 50 °C ne doit se produire que de manière ponctuelle et non permanente. Ingeteam ne saurait être tenu responsable des conséquences sur l'appareil d'un fonctionnement continu à des températures supérieures à 50 °C.

⁽²⁾ À des altitudes supérieures à 1 000 m, contactez Ingeteam.

Il convient de prendre en compte que, de façon occasionnelle, il peut se produire une condensation modérée résultant des variations de température. Pour cette raison, et en marge de la protection de l'appareil, il est nécessaire de surveiller ces appareils, une fois mis en marche dans des lieux qui pourraient ne pas être conformes aux conditions décrites précédemment.

En cas de condensation, l'appareil ne doit en aucun cas être mis sous tension. Pour éliminer la condensation, faites circuler de l'air chaud à une température maximale de 60 °C.

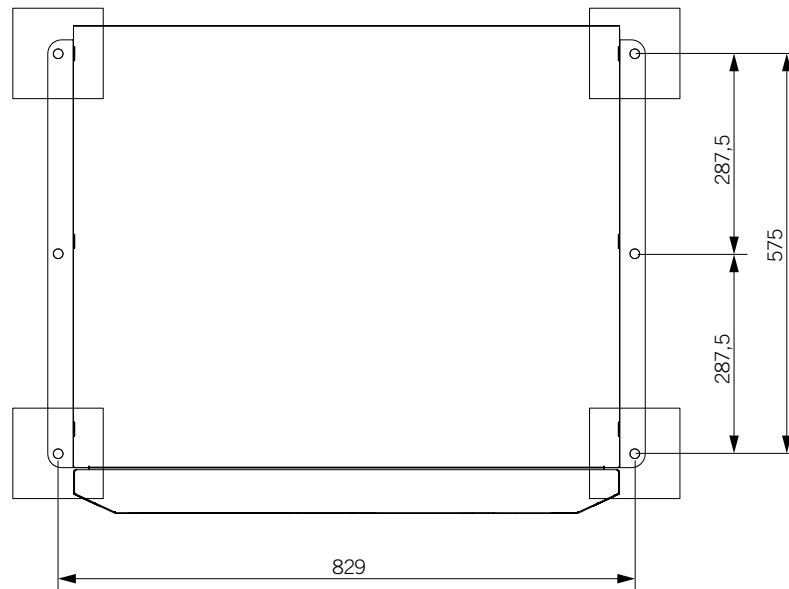
INFO

Ingeteam ne garantit pas le bon fonctionnement de l'appareil en cas de non-respect des conditions de fonctionnement pour lesquelles il a été conçu.

5.4. Surface d'appui et de fixation

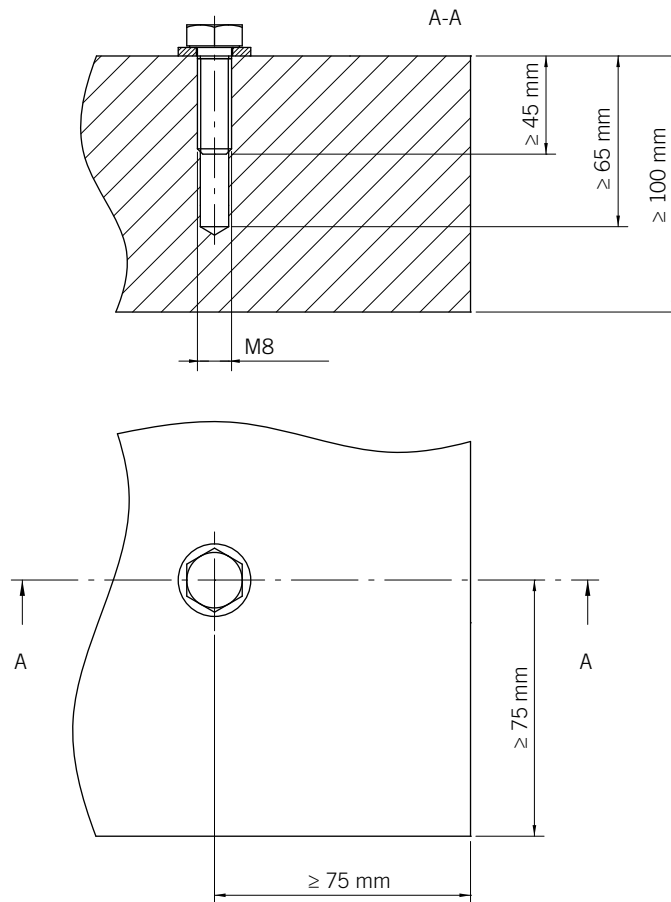
En raison du poids des appareils, le sol sur lequel ils reposent doit être solide et parfaitement horizontal et nivelé, afin d'assurer l'évacuation correcte de l'eau et éviter ainsi sa stagnation.

Pour effectuer les calculs de l'installation, il faut tenir compte des charges qui influencent les conditions ambiantes, conformément à la réglementation du pays, ainsi que le centre de gravité indiqué au chapitre « 4.1. Centre de gravité ». Les quatre appuis minimum nécessaires sont présentés ci-dessous.



Les prescriptions suivantes doivent être respectées lors de la sélection de l'emplacement où sera vissé l'appareil :

- Distance minimale entre le centre du trou de la semelle en béton et les bords : 75 mm.
- Diamètre de la mèche utilisée pour effectuer le trou de la semelle en béton : 8 mm.
- Profondeur minimale du trou dans la semelle en béton : 65 mm.
- Épaisseur minimale de la semelle en béton : 100 mm.
- Profondeur minimale de la vis d'ancrage : 45 mm.
- Résistance à la traction minimale : 7,7 kN. Coefficient de sécurité 1,5
- Résistance au cisaillement minimale : 9,3 kN. Coefficient de sécurité 1,25



5.5. Exigences du fusible

⚠ ATTENTION

Ingeteam utilise le fusible Bussmann PV-160ANH1 avec 1000 Vdc - 160 A - 50 kA et le porte-fusibles Bussmann SD 1-D-PV. En cas de remplacement du fusible par un autre, il faudra tenir compte des caractéristiques du fusible et du porte-fusible installés de série lors du choix du nouveau fusible, en adoptant au minimum les valeurs de protection du fusible de série.

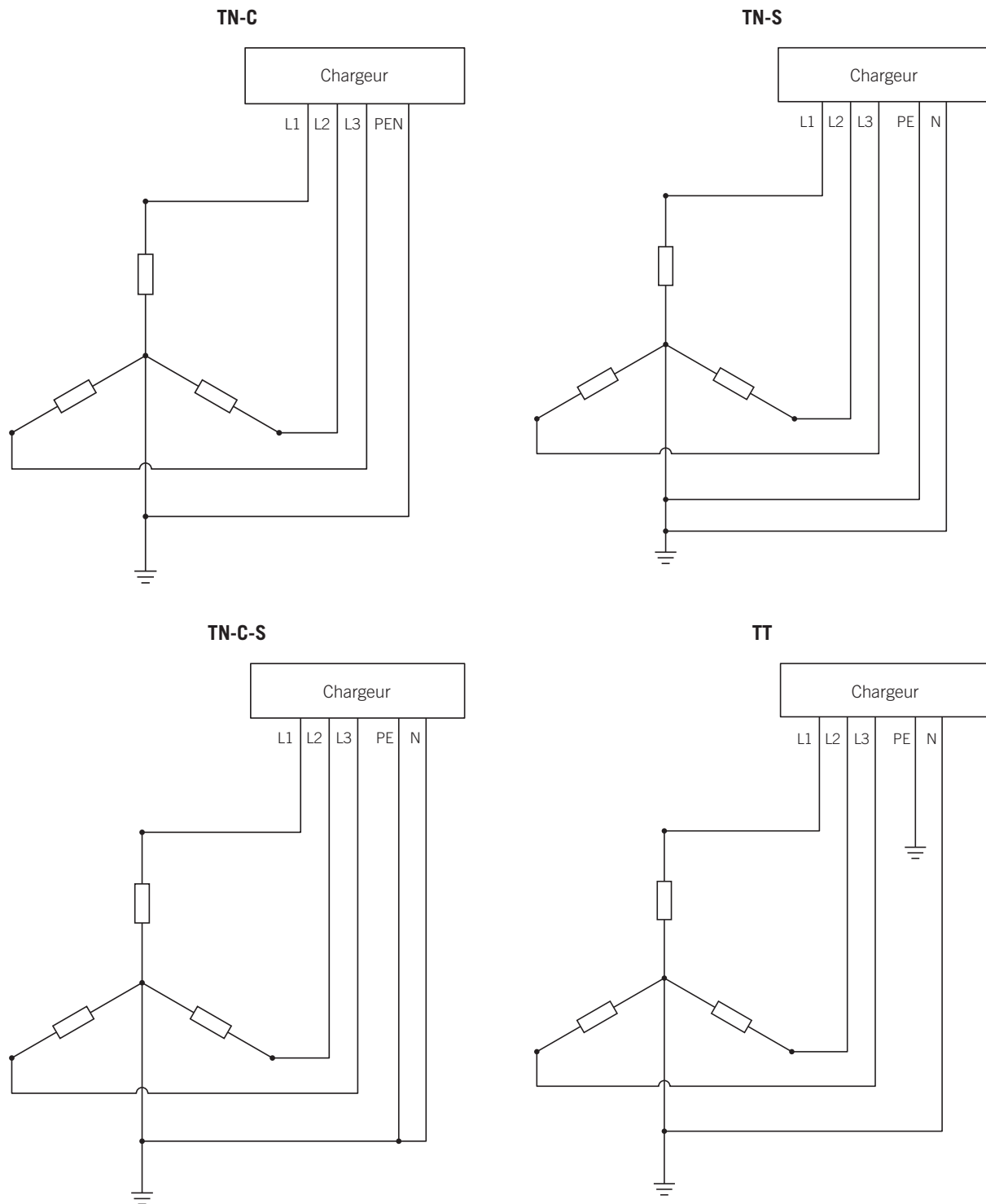
Ingeteam n'est pas responsable d'un mauvais choix de fusible en cas de remplacement de l'original.

5.6. Type de réseau

Ces appareils doivent être raccordés à un réseau triphasé en étoile avec un neutre mis à la terre. Les systèmes de mise à la terre autorisés sont donc TT et TN.

Il n'est pas possible de se raccorder à des réseaux IT ou des réseaux en triangle mis à la terre sur l'une de leurs lignes.

Il faut amener à l'appareil les raccordements du réseau triphasé (L1, L2, L3 et N) et sa terre (PE).



5.7. Longueur du câblage

Le chargeur mesure la tension à ses bornes de connexion ; pour cette raison, l'installateur doit utiliser un câble AC d'une impédance suffisamment basse pour que l'augmentation de tension dans le câble (entre le transformateur de distribution et l'appareil) ne provoque pas la déconnexion de ce dernier pour basse tension.

5.8. Système de déconnexion externe

Pour les tâches d'inspection de l'appareil, il faut supprimer la tension d'alimentation AC. Pour cela, l'installateur devra installer un système de déconnexion externe.

5.9. Transformateur moyenne tension

Dans les installations où il est nécessaire d'utiliser un transformateur moyenne tension dédié aux chargeurs, ce transformateur doit respecter les exigences suivantes :

- Le transformateur doit avoir une puissance nominale égale ou supérieure à la somme des puissances des chargeurs installés en aval.
- La configuration du transformateur doit être en étoile côté basse tension et en triangle côté haute tension.
- Côté basse tension, la cosse du neutre doit être accessible et connectée à la terre.
- Il est recommandé d'utiliser des transformateurs avec une $U_{cc} < 6\%$.
- Il est recommandé d'utiliser des transformateurs avec une régulation de la tension en 5 points (0, $\pm 2,5$, $\pm 5\%$).
- Le côté basse tension du transformateur doit supporter un courant homopolaire de trois fois la fréquence de réseau, de l'ordre de 10 Arms/MVA.
- Le dimensionnement du transformateur doit tenir compte des points suivants :
 - Les caractéristiques de tension et fréquence (et leurs tolérances) du point de connexion.
 - Les réglementations du pays d'installation.
 - Les facteurs environnementaux de l'emplacement de l'installation (températures, humidités, altitude, etc.).
- Le transformateur est une partie essentielle de l'installation, ses caractéristiques doivent être prises en compte au moment de concevoir les protections nécessaires en aval de celui-ci.

6. Installation de l'appareil

Avant de procéder à l'installation de l'appareil, retirez son emballage en prenant garde à ne pas endommager l'enveloppe (voir section « 4.2. Déballage »).

Vérifiez l'absence de condensation à l'intérieur de l'emballage. En cas de signes de condensation, l'appareil ne doit pas être installé avant d'avoir entièrement séché.

⚠ ATTENTION

Toutes les opérations d'installation devront être conformes à la réglementation en vigueur.

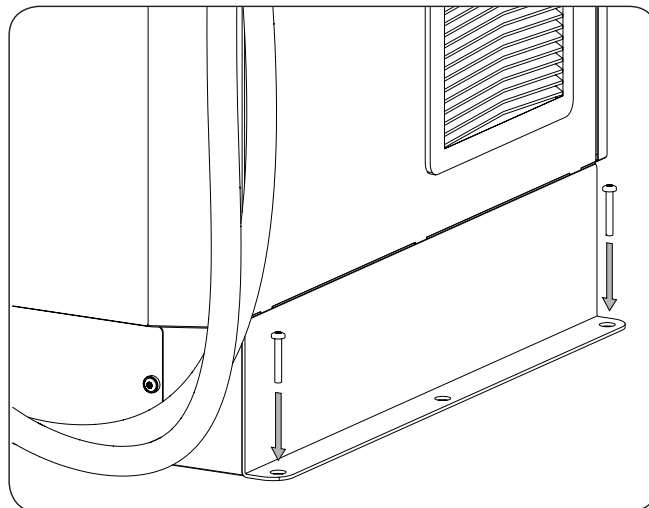
Toutes les opérations impliquant un mouvement de poids importants devront être réalisées à l'aide des moyens d'assistance mécanique nécessaires (grue, palan, etc.).

6.1. Exigences générales d'installation

- L'environnement de l'appareil doit être adéquat et satisfaire aux directives prescrites dans le chapitre « 5. Préparation pour l'installation de l'appareil ». Par ailleurs, les éléments employés dans le reste de l'installation devront être compatibles avec l'appareil et conformes à la loi applicable.
- La ventilation et l'espace de travail devront être adéquats pour les travaux de maintenance conformément à la réglementation en vigueur.
- Les dispositifs extérieurs de connexion doivent être adéquats et suffisamment proches comme stipulé dans la réglementation en vigueur.
- La section des câbles d'alimentation doit être adaptée à l'intensité maximale.
- Veillez à ce qu'aucun élément extérieur ne se trouve à proximité des entrées et sorties d'air pouvant empêcher le bon refroidissement de l'appareil ; respectez pour cela les distances indiquées dans la section « 5.1. Environnement ».

6.2. Fixation de l'appareil

Pour la fixation du chargeur, une série de vis seront vissées au sol par les trous prévus sur les côtés du socle inférieur.



Procédez comme suit :

1. Marquez sur le sol les points d'ancrage.
2. Percez le sol à l'aide d'une mèche adaptée.
3. Vissez au travers des trous du socle.
4. Vérifiez que l'appareil est fermement fixé.

Une fois que l'appareil est installé correctement, vous pouvez procéder aux connexions.

Raccordez les connexions en suivant l'ordre suivant :

1. Raccordement des accessoires (en option).
2. Connexion AC.

 **ATTENTION**

Vous devez obligatoirement respecter l'ordre décrit ci-dessus. N'alimentez pas l'appareil avant d'avoir effectué tous les raccordements et de l'avoir refermé.

7. Raccordement des accessoires

Ce chapitre explique le processus de raccordement à l'appareil des accessoires de série et en option.

Lisez-le attentivement avant de commencer le processus de connexion.

7.1. Consignes de sécurité pour le raccordement d'accessoires

⚠ DANGER

Garantissez l'absence de tension sur l'appareil avant d'effectuer tout raccordement.

Ne pas alimenter l'appareil avant d'avoir réalisé correctement tous les autres raccordements et d'avoir refermé celui-ci.

Utilisez l'Équipement de Protection Individuelle indiqué dans la section « *Équipements de protection individuelle (EPI)* ».

⚠ ATTENTION

Ingeteam n'est pas responsable des dommages qu'une mauvaise connexion pourrait entraîner.

7.2. Communication via Ethernet

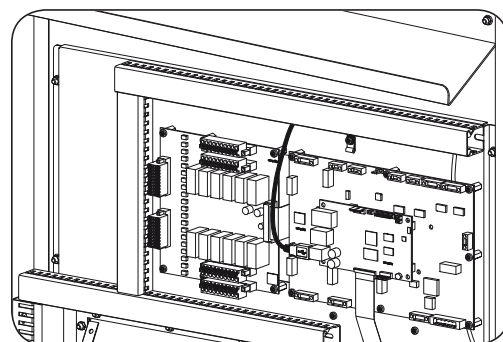
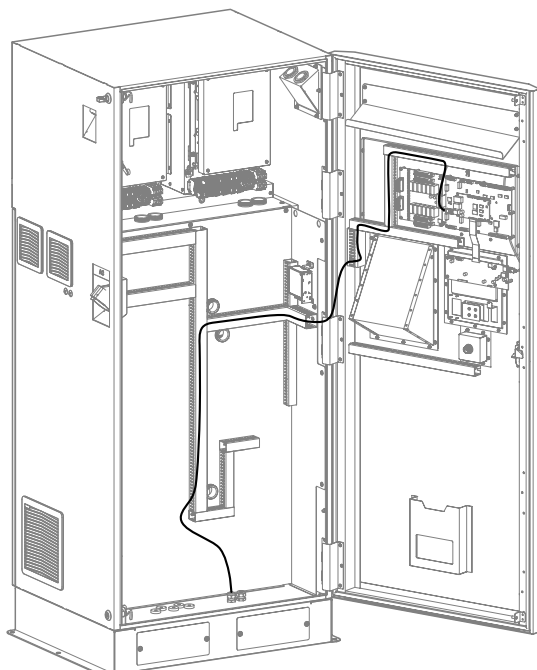
7.2.1. Exigences du câblage

Pour la communication Ethernet, utilisez un câble de 4 à 6 mm de diamètre.

7.2.2. Processus de raccordement

Pour réaliser le raccordement, suivez l'ordre suivant :

1. Dans la zone d'accès du câblage inférieur, introduisez le câblage d'Ethernet par le presse-étoupe correspondant.
2. Faites passer le câble par les goulottes comme indiqué sur l'illustration suivante :



3. Insérez le connecteur RJ45 sur la carte.
4. Serrez le presse-étoupe pour garantir l'étanchéité, en vous assurant que le câblage ne soit pas trop tendu.

8. Connexion AC

Ce chapitre explique les spécifications des câbles AC et le processus de connexion de ces derniers à l'appareil. Lisez-le attentivement avant de commencer le processus de connexion.

INFO

Avant de manipuler l'appareil, consultez la section « *Conditions importantes de sécurité* » ainsi que les indications suivantes.

8.1. Consignes de sécurité pour la connexion de câbles AC

DANGER

Garantissez l'absence de tension sur l'appareil avant d'effectuer tout raccordement AC.

Ne pas alimenter l'appareil avant d'avoir réalisé correctement tous les autres raccordements et d'avoir refermé celui-ci.

Utilisez l'Équipement de Protection Individuelle indiqué dans la section « *Équipements de protection individuelle (EPI)* ».

Pendant la connexion du chargeur, il faut s'assurer de l'installation correcte des câbles sur les borniers de l'appareil, de sorte qu'aucune pièce sous tension de ce câble ne soit accessible.

Respectez la polarité du câblage AC.

ATTENTION

Ingeteam n'est pas responsable des dommages qu'une mauvaise connexion pourrait entraîner.

8.2. Spécifications des câbles pour la connexion AC

Afin de garantir la sécurité des personnes, pour le fonctionnement correct de l'appareil et pour être conforme à la réglementation applicable, l'appareil doit être raccordé à la terre de l'installation.

Si le chargeur et le point de raccordement au réseau sont séparés par une distance requérant l'utilisation de câbles d'une section supérieure, il est recommandé d'utiliser une boîte de distribution externe à proximité du chargeur pour réaliser ce changement de section.

Le raccordement AC devra se faire via des câbles monopolaires. Au total cinq câbles seront utilisés : trois phases, neutre et terre. Le matériau du conducteur peut être le cuivre ou l'aluminium.

ATTENTION

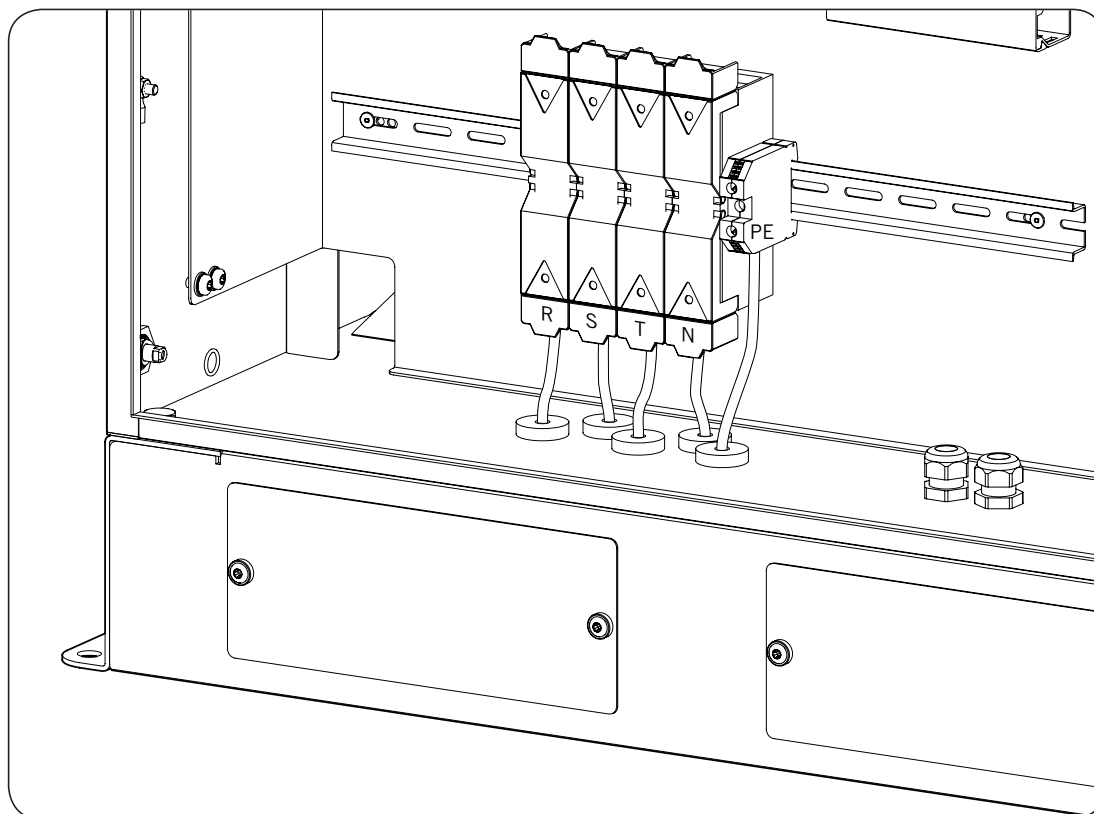
En cas d'utilisation de câbles en aluminium, l'installateur devra disposer des moyens permettant d'éviter l'effet du couple galvanique (cosses bipolaires, interfaces bimétalliques, etc.)

La responsabilité de la dimension du câble de terre incombe à l'installateur, elle devra répondre aux exigences réglementaires s'appliquant à l'installation.

L'entrée AC accepte une section de câble comprise entre 10 mm² et 70 mm². Le diamètre minimum et maximum des câbles d'entrée est de 6 à 20 mm. Les câbles doivent se terminer en une extrémité plate d'une métrique M8. La largeur maximale de cette extrémité ne doit pas dépasser 28 mm.

8.3. Processus de raccordement de câble AC

1. Introduisez le câblage par les passe-câbles prévus sur la partie inférieure du chargeur.
2. En respectant les polarités, raccordez les trois phases, le neutre et la terre aux bornes indiquées comme R, S, T et N et sur la barre de terre PE.



Le tableau suivant regroupe les couples de serrage à appliquer lors de la connexion.

Couples de serrage à appliquer	
Connexion	Couple de serrage
Bornes R, S, T, N	5 Nm
Barre de terre PE	10 Nm

3. Vérifiez que la membrane passe-câble est posée correctement et que le câblage n'est pas tendu.

9. Première connexion au réseau électrique

Ce chapitre décrit les étapes à suivre pour réaliser la première connexion de l'appareil au réseau.

Il faudra d'abord vérifier l'appareil.

9.1. Révision de l'appareil

Il faut vérifier le bon état de l'installation avant la mise en marche.

Chaque installation diffère au niveau de ses caractéristiques, du pays où elle est installée ou d'autres conditions particulières qui s'y appliquent. Dans tous les cas, avant de procéder à la mise en marche, assurez-vous que l'installation est conforme à la loi et aux réglementations applicables et qu'elle est terminée, au moins la partie qui va être mise en marche.

9.1.1. Inspection

Avant la première connexion du chargeur au réseau, il faut réaliser une vérification générale des éléments suivants :

Révision du câblage

- Vérifiez que les câbles sont correctement raccordés à leurs connecteurs.
- Vérifiez que ces câbles sont en bon état, et qu'il n'existe pas de conditions qui pourraient les endommager, comme par exemple des sources de chaleur intense, des objets coupants ou des dispositions qui les exposent à des risques d'impacts ou de coups.

Révision de la fixation de l'appareil

Vérifiez que l'appareil est solidement fixé et ne risque pas de tomber.

9.1.2. Fermeture hermétique de l'appareil

Lors de l'installation, assurez-vous que les opérations de raccordement n'ont pas altéré le degré d'étanchéité de l'appareil.

Veillez à ce que les connecteurs soient bien ajustés et les presse-étoupes bien fermés.

10. Configuration

Pour réaliser la première configuration de l'appareil, il est nécessaire d'établir une connexion locale. Une fois cette première configuration réalisée, il est également possible d'établir la connexion à distance. Le processus des deux cas de figure est décrit ci-dessous.

La configuration sera réalisée via l'application INGEREV WEB Manager.

10.1. Connexion locale

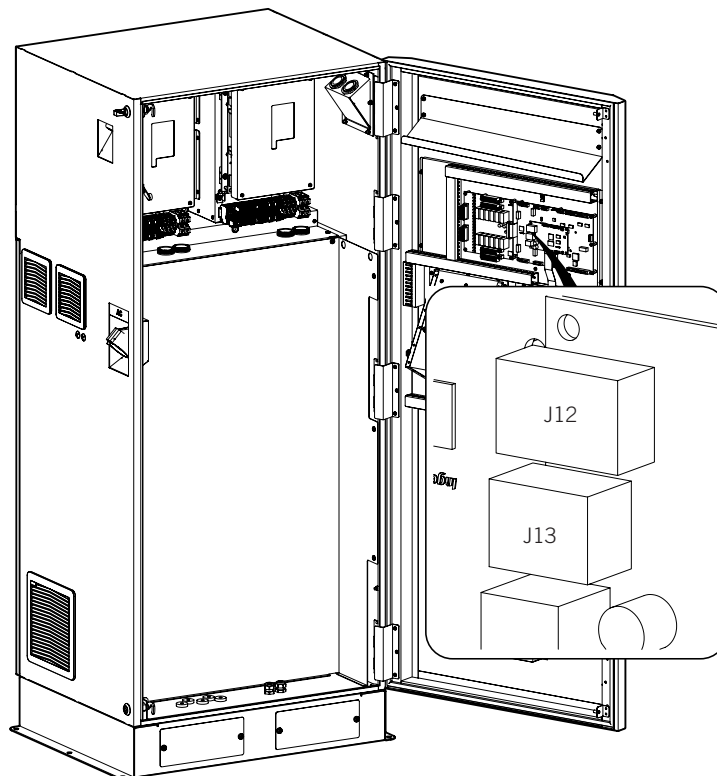
Pour établir une connexion locale, il est nécessaire que le chargeur et l'ordinateur soient connectés au même réseau de communication.

La connexion locale peut être réalisée via Ethernet ou Wi-Fi.

10.1.1. Connexion locale via Ethernet

Pour établir la connexion, suivez les étapes suivantes :

1. Connectez l'ordinateur à l'appareil via l'un des connecteurs Ethernet disponibles (J12 ou J13).



2. Sur l'ordinateur portable, ouvrez le navigateur et accédez à <http://numSerie:8080>, où *numSerie* correspond au numéro de série de l'appareil (par exemple, <http://6H0576543210:8080>). Le numéro de série identifie l'appareil de manière univoque et est également indiqué sur la plaque signalétique.
3. Saisissez l'utilisateur et le mot de passe. L'utilisateur et le mot de passe sont indiqués sur la carte verte fournie avec l'appareil.
4. Suivez les instructions d'INGEREV WEB Manager.

⚠ ATTENTION

Certains systèmes d'exploitation, du fait de leur configuration peuvent refuser l'URL décrite précédemment. Dans ce cas, procédez comme suit :

1. Connectez l'ordinateur portable via un câble Ethernet au connecteur J12 de l'appareil. Le connecteur J13 ne permet pas cette méthode d'accès.
2. Depuis un navigateur Web, accédez à <http://192.168.1.33:8080>.
3. Suivez les étapes indiquées dans le navigateur pour réaliser le processus de configuration.

10.1.2. Connexion locale via Wi-Fi

Par défaut, l'appareil est configuré en mode *Access Point*. Cela signifie qu'il génère un réseau Wi-Fi qui permet des connexions de dispositifs tels que des ordinateurs portables, tablettes ou smartphones.

Pour établir la connexion, suivez les étapes suivantes :

1. Connectez le dispositif au réseau généré par le chargeur. Le nom du réseau est identique au numéro de série de l'appareil.
2. Dans le dispositif, ouvrez le navigateur Web et accédez à <http://192.168.2.1:8080>.
3. Saisissez l'utilisateur et le mot de passe. L'utilisateur et le mot de passe sont indiqués sur la carte verte fournie avec l'appareil.
4. Suivez les instructions d'INGEREV WEB Manager.

10.2. Connexion à distance

La communication à distance a pour but de disposer d'accès au chargeur lorsque celui-ci et l'ordinateur sont connectés à Internet depuis des réseaux de communication différents. Le chargeur doit être connecté à Internet via Wi-Fi, Ethernet ou 3G.

Pour établir la connexion, suivez les étapes suivantes :

1. Une fois l'ordinateur portable et le chargeur connectés à Internet, ouvrez le navigateur et accédez à <http://www.ingerev.com/numSerie>, où *numSerie* correspond au numéro de série de l'appareil (par exemple, <http://www.ingerev.com/6H0576543210>). Le numéro de série identifie l'appareil de manière univoque et est également indiqué sur la plaque signalétique.
2. Saisissez l'utilisateur et le mot de passe. L'utilisateur et le mot de passe sont indiqués sur la carte verte fournie avec l'appareil.

11. Utilisation de l'appareil

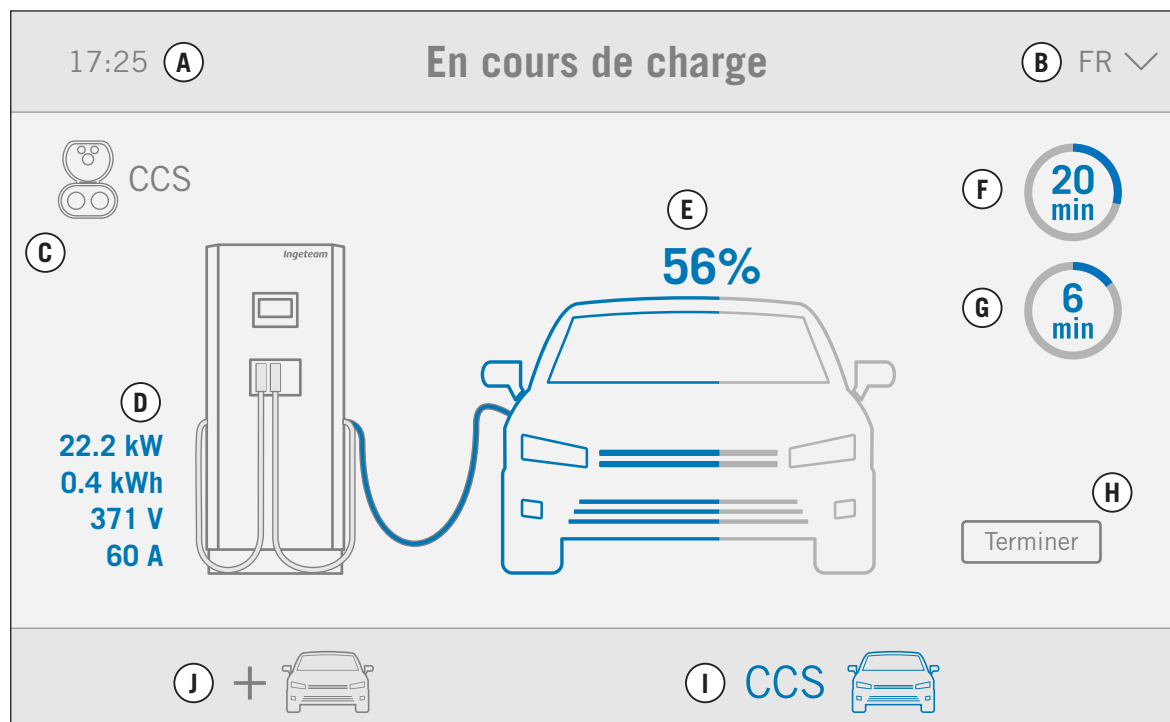
La gestion du fonctionnement du chargeur s'effectue au moyen de l'écran.

Sur l'INGEREV RAPID 50 Trio, il est possible de réaliser la charge de deux véhicules simultanément. Depuis l'écran, les deux sessions de charge sont différenciées de manière indépendante.

Pour gérer le processus de charge, suivez les indications affichées à l'écran.

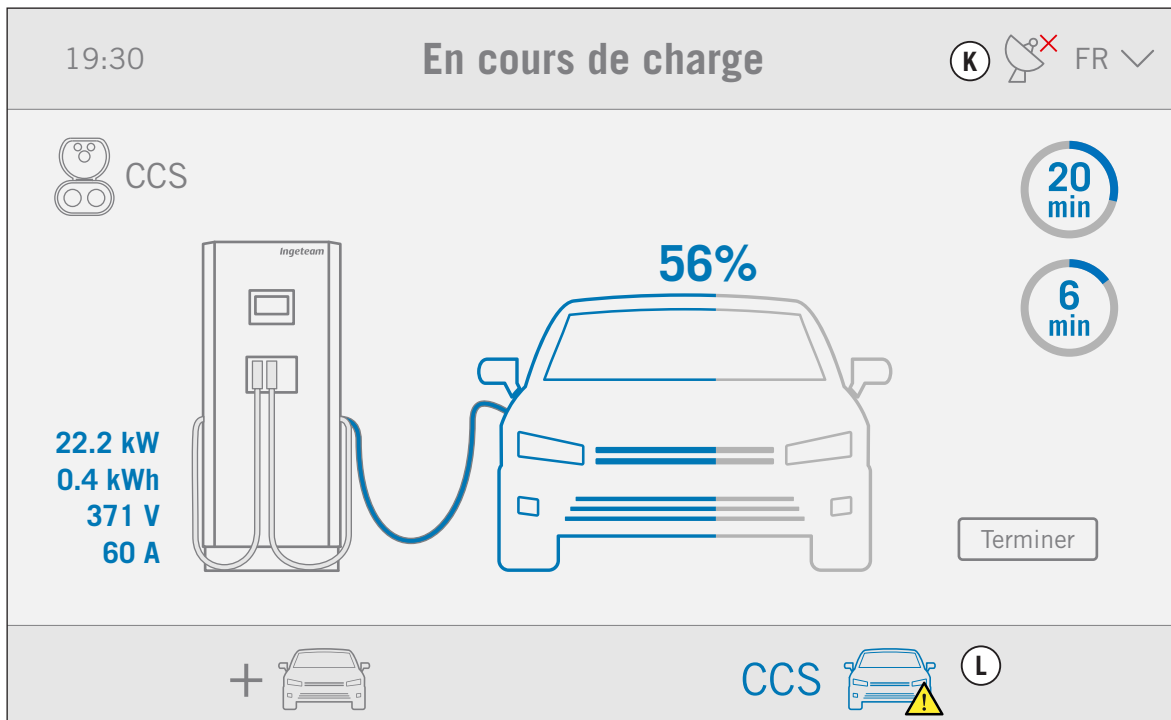
11.1. Écran de charge

L'écran de charge affiche les informations suivantes :



- | | |
|---|--|
| A. Heure | G. Temps restant pour terminer la charge |
| B. Choix de langue | H. Bouton de fin de charge |
| C. Prise sélectionnée | I. Choix de session de charge |
| D. Puissance, énergie consommée, tension et courant de charge | J. Bouton permettant d'ajouter une session de charge lorsque c'est possible. Lorsque deux sessions de charge sont ouvertes, l'une ou l'autre peuvent être ouvertes depuis la barre inférieure. |
| E. État de charge | |
| F. Temps écoulé depuis le début de la charge | |

Si un avertissement est émis, il sera affiché comme suit :



K. Défaut de communication La station a perdu la connexion à Internet ou la connexion à un gestionnaire central.

L. Exception produite dans la session de charge indiquée. Dans ce cas, un incident est indiqué dans la session de charge numéro 2.

11.2. Processus de réalisation de charge

Le processus de réalisation de charge est décrit ci-après.

1. Dans le cas où une charge est réalisée dans la station, la première étape consiste à ajouter un véhicule via l'affichage (dans le cas contraire, cette étape n'est pas nécessaire). La station de charge peut réaliser deux charges simultanées : AC et CCS ou AC et CHAdeMO. La charge simultanée de CCS et CHAdeMO n'est pas possible. Cliquez sur l'icône suivante :



2. Sélectionnez la prise souhaitée en fonction des caractéristiques de l'appareil. Les prises disponibles seront affichées à l'écran.
3. Ensuite, il est demandé à l'utilisateur de s'identifier à l'aide d'une carte. Approchez la carte du lecteur situé dans la partie inférieure de l'écran.
4. Le détail des tarifs applicables est affiché.
5. Connectez le véhicule à la borne de recharge.
6. Le processus de charge débute.
7. Une fois la charge terminée, cliquez sur *Terminer* et suivez le processus indiqué à l'écran.

12. Dépannage

ATTENTION

Les problèmes de la borne doivent être résolus par le personnel qualifié conformément aux conditions générales de sécurité expliquées dans ce manuel.

12.1. Alarmes

Alarme	Description	Solution
Bouton-poussoir d'arrêt d'urgence	Le bouton-poussoir d'arrêt d'urgence a été actionné.	Désenclenchez le bouton-poussoir d'arrêt d'urgence.
Défaut verrouillage connecteur	Défaut de verrouillage du connecteur	Déconnectez le connecteur et vérifiez sa fonctionnalité et son intégrité. Si le problème persiste, veuillez contacter Ingeteam.
Erreur communication EV	Erreur dans la communication station de recharge-véhicule électrique	Relancez le processus de charge Si le problème persiste, veuillez contacter Ingeteam.
Erreur isolement	Impédance d'isolement en-dessous de la limite	Déconnectez le connecteur du véhicule. Vérifiez si l'erreur d'isolement a disparu. Dans l'affirmatif, le défaut se produit sur le véhicule, celui-ci devra donc faire l'objet d'une révision chez votre garagiste. Si l'erreur d'isolement persiste, veuillez contacter Ingeteam.
Température hors limite	Température de la station de recharge en dehors de la plage de fonctionnement	Vérifiez que les radiateurs sont propres et que les ventilateurs fonctionnent correctement. Protégez l'appareil de l'exposition directe à la lumière du soleil. Assurez-vous que la température ambiante se trouve dans la plage de fonctionnement.
Erreur du lecteur RFID	Défaut sur le lecteur de cartes	Approchez la carte du lecteur RFID. Si le problème persiste, veuillez contacter Ingeteam.
Réseau hors limite	Tension ou fréquence de réseau AC hors plage définie	Vérifiez le bon câblage. Vérifiez les connexions. Vérifiez que la tension ou la fréquence du réseau électrique est comprise dans les limites.
Défaut du dispositif	Certains paramètres du chargeur se trouvent en dehors de la plage de fonctionnement	Si le défaut est temporaire, celui-ci disparaît automatiquement. S'il persiste, veuillez noter le code affiché et contacter Ingeteam.

13. Déconnexion de l'appareil

Cette section décrit le processus à suivre pour déconnecter l'appareil. Si vous souhaitez accéder à l'intérieur de l'appareil, vous devez obligatoirement suivre ces instructions dans l'ordre où elles sont indiquées pour éliminer toute tension.

1. Si un processus de charge est actif, terminez la session de charge.
2. Appuyez sur le bouton-poussoir d'arrêt d'urgence.
3. Mettez l'appareil hors tension AC via un moyen de déconnexion externe.
4. Attendez 10 minutes que les capacités internes se déchargent, que les éléments chauds refroidissent et que le mouvement résiduel des pales des ventilateurs s'arrête.
5. Ouvrez l'appareil et, avec les EPI adéquats, vérifiez l'absence de tension sur l'alimentation AC.
6. Signalez la zone de sectionnement avec un panneau indiquant « *Attention, manipulation interdite...* ». Délimitez la zone de travail si nécessaire.

14. Maintenance

ATTENTION

Les travaux de maintenance recommandés seront réalisés au minimum une fois par an, sauf indication contraire.

14.1. Conditions de sécurité

DANGER

Toutes les vérifications de maintenance indiquées ici devront être réalisées lorsque l'appareil est arrêté, dans des conditions de manipulation sûres, intégrant les spécifications du client pour ce type d'opérations.

L'ouverture de l'enveloppe ne signifie nullement une absence de tension dans l'appareil, de sorte que seul le personnel qualifié peut y accéder en respectant les conditions de sécurité énoncées dans le présent document.

Avant d'ouvrir l'appareil, vous devez le mettre hors tension (voir section « 13. Déconnexion de l'appareil »).

Garantissez l'absence de tension sur l'appareil avant d'effectuer toute intervention de maintenance.

Pour effectuer les travaux de maintenance sur l'appareil, vous devez utiliser les équipements de protection individuelle spécifiés dans la section « Équipements de protection individuelle (EPI) » du présent document.

ATTENTION

L'ensemble des conditions détaillées par la suite doit être considéré comme un minimum.

Ingeteam n'assume pas la responsabilité des dommages dérivant d'une mauvaise utilisation des appareils. Toute intervention réalisée sur l'un de ces appareils et supposant une modification du câblage électrique par rapport au câblage initial doit être préalablement présentée à Ingeteam. Ces modifications devront être étudiées et approuvées par Ingeteam.

INFO

Le câble doit être amené à l'intérieur de l'appareil via un conduit, qui sera introduit à travers un raccord afin de conserver l'indice de protection de l'appareil.

14.2. État des câbles et connecteurs de charge

Vérifiez le bon état des câbles et connecteurs. Ils ne doivent présenter aucune trace de choc ou coupure. Vérifiez le bon fonctionnement des connecteurs.

14.3. État de l'enveloppe

Il est nécessaire de vérifier périodiquement l'état de l'enveloppe en examinant l'état des fermetures et portes, ainsi que la fixation des appareils au sol. Il faut également vérifier l'état correct de l'enveloppe et l'absence de coups ou de rayures qui pourraient dégrader l'enveloppe ou lui faire perdre son indice de protection. Si ces types de défaut sont identifiés, réparez ou remplacez les parties concernées.

14.4. État des câbles et des cosses

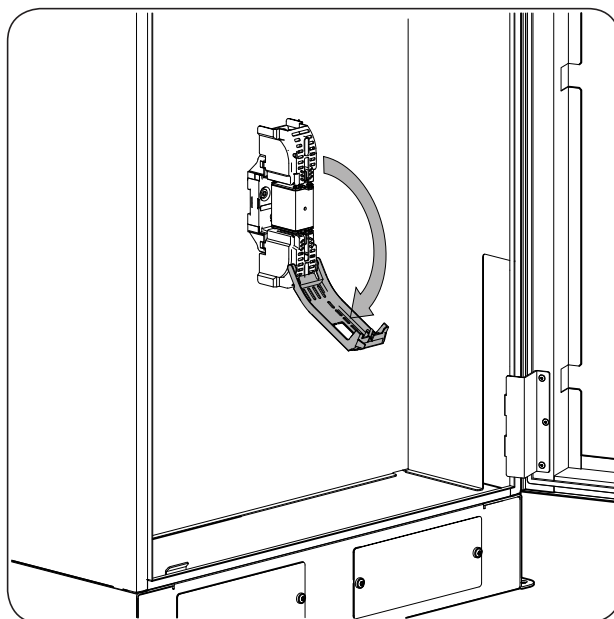
Il faut vérifier annuellement l'état des câbles et des cosses :

- Vérifiez la bonne disposition des câbles afin qu'ils n'entrent pas en contact avec des parties actives.
- Assurez-vous qu'il n'y a pas de défauts dans l'isolement et les points chauds en vérifiant la couleur de l'isolement et des cosses.
- Vérifiez que les raccords présentent le couple de serrage adéquat.

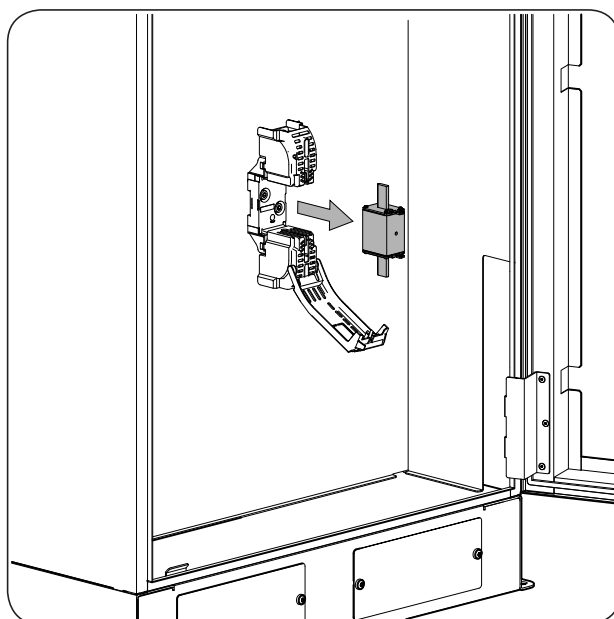
14.5. Remplacement du fusible

Si le remplacement du fusible est nécessaire, procédez dans l'ordre suivant :

1. La porte du chargeur ouverte, accédez à la zone du fusible et ouvrez le porte-fusibles.



2. Retirez le fusible.



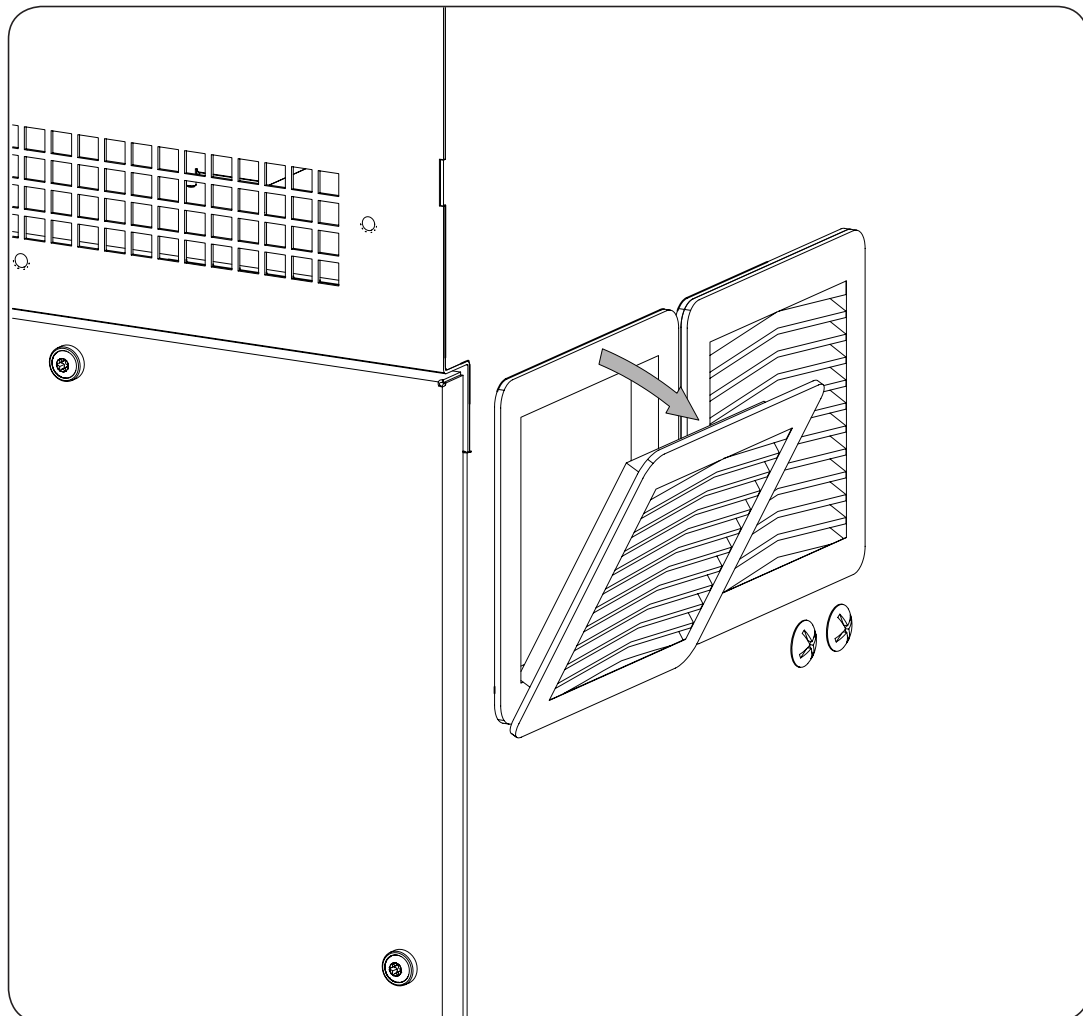
3. Installez le nouveau fusible.
4. Fermez le porte-fusibles.

⚠ DANGER

L'appareil pourrait être endommagé si le fusible est mal introduit dans le porte-fusibles.

14.6. Nettoyage ou remplacement de filtres

Retirer et nettoyer les filtres des grilles de ventilation de l'appareil. S'ils sont détériorés, ils devront être remplacés par des filtres neufs équivalents de classe G4 IP55.



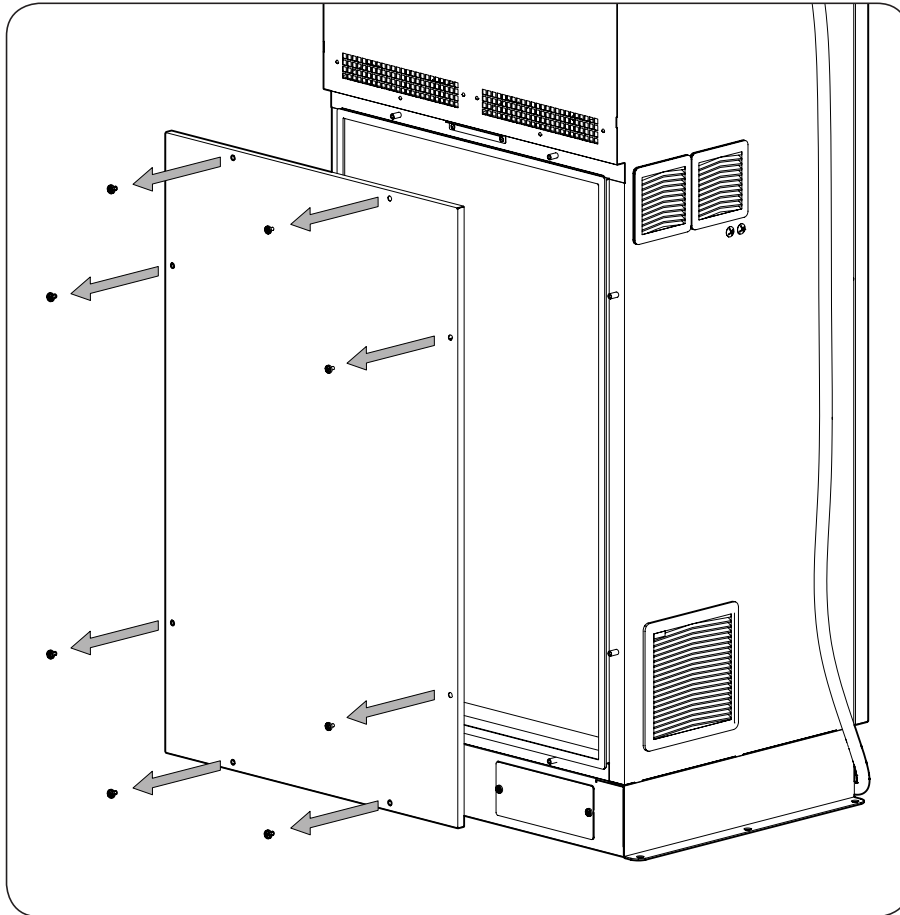
14.7. Remplacement des ventilateurs

Ce chargeur est équipé de quatre ventilateurs sur les côtés, nécessaires à son refroidissement adéquat.

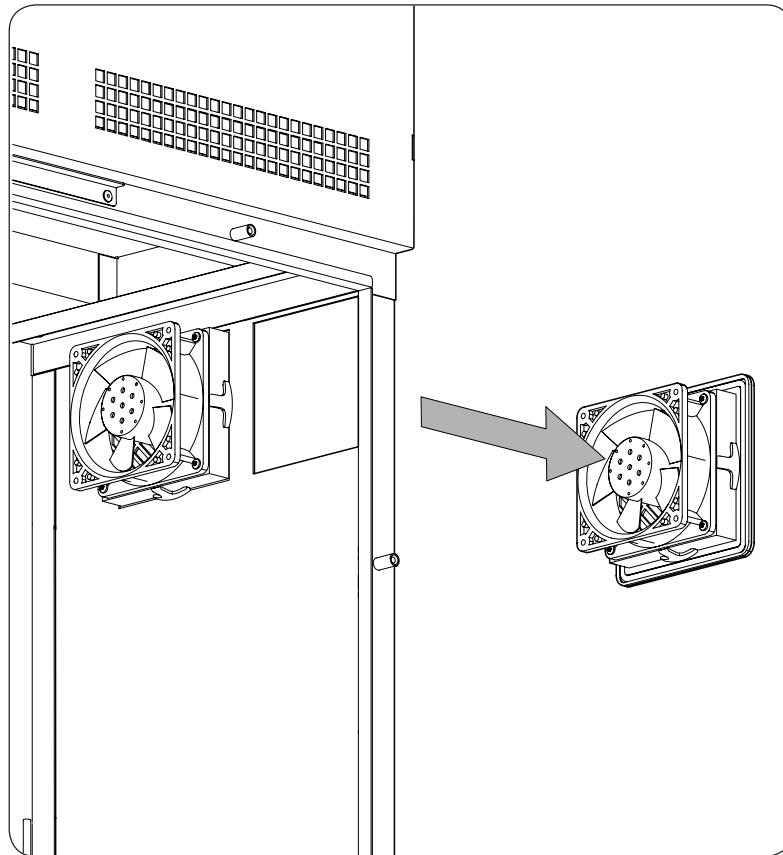
La durée de vie estimée de ces ventilateurs dépend en grande partie des conditions de température ambiante. Dans des conditions moyennes de fonctionnement, elle est estimée à 10 ans.

Il est recommandé de remplacer les ventilateurs passé ce délai. Pour ce faire, suivez les étapes suivantes :

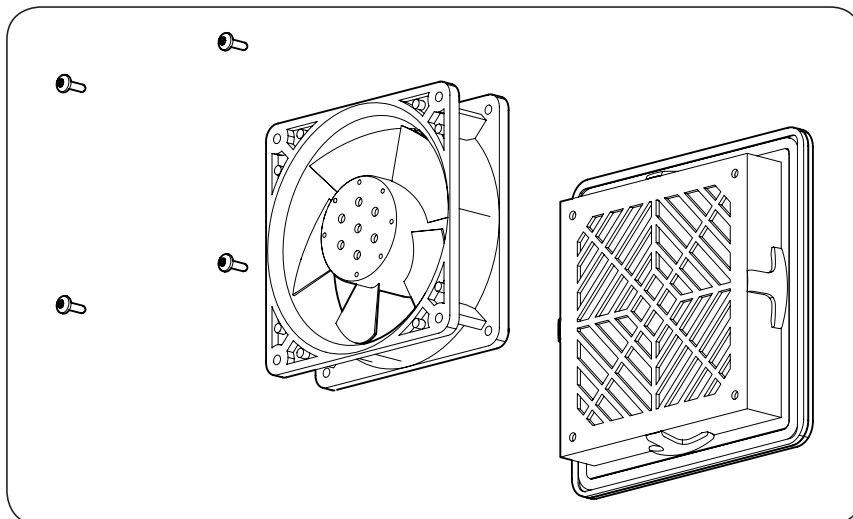
1. Retirez le cache arrière de la station de recharge.



2. Déverrouillez l'ensemble ventilateur-porte-filtres depuis l'intérieur de la station. Faites attention au câblage du ventilateur.



3. Retirez les vis de fixation du ventilateur.



4. Débranchez le câblage du ventilateur.
5. Placez le ventilateur neuf et suivez l'ordre inverse pour terminer le montage.

15. Traitement des déchets

Ces appareils utilisent des composants nocifs pour l'environnement (cartes électroniques, batteries ou piles, etc.).

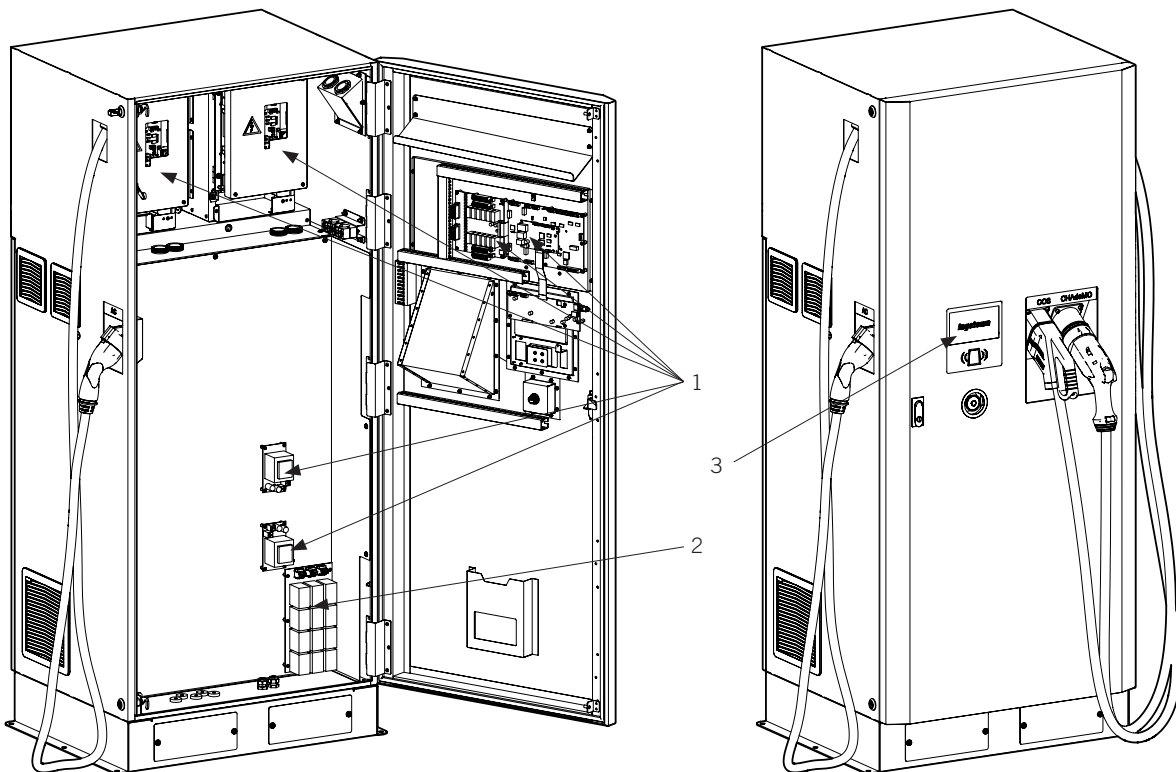


Une fois la vie utile de l'appareil terminée, les déchets doivent être confiés à un centre de récupération agréé pour le traitement des déchets dangereux.

Par le biais de cette section, Ingeteam, conformément à une politique respectueuse de l'environnement, informe le centre de récupération agréé sur la localisation des composants à décontaminer.

Les éléments présents à l'intérieur de l'appareil et qui doivent être traités spécifiquement sont :

1. Cartes de circuits imprimés
2. Condensateurs électrolytiques ou qui contiennent du PCB
3. Écran.



Importanti condizioni di sicurezza

In questa sezione sono descritti gli avvisi di sicurezza e il dispositivo di protezione individuale o la simbologia utilizzata nel dispositivo.

Condizioni di sicurezza

Avvisi generali

PERICOLO

L'apertura dell'involucro non implica l'assenza di tensione all'interno.

Esiste un pericolo di scossa elettrica anche dopo aver scollegato la rete.

Esso può essere aperto solo da personale qualificato seguendo le istruzioni riportate nel presente manuale.

È assolutamente vietato l'accesso all'interno del quadro elettrico da posizioni diverse dalle porte di accesso previste per tale scopo. L'accesso deve essere effettuato sempre in mancanza di tensione.

ATTENZIONE

Le operazioni riportate nel presente manuale possono essere eseguite solo da personale debitamente qualificato.

Quando nel presente manuale si parla di personale qualificato, si intende personale che risponde a tutte le norme, le direttive e le leggi in materia di sicurezza, applicabili agli interventi di installazione e funzionamento di questo dispositivo.

La selezione del personale qualificato è sempre responsabilità della società della quale tale personale fa parte, in quanto la società in questione decide se un lavoratore è adatto o meno a svolgere un determinato lavoro, tutelandone così la sicurezza e rispettando la legge applicabile in materia di sicurezza sul lavoro.

Tali società devono impartire una formazione adeguata sui dispositivi elettrici al proprio personale e fare in modo che il personale prenda dimestichezza con il contenuto di questo manuale.

È obbligatorio rispettare la legge applicabile in materia di sicurezza per quanto riguarda i lavori elettrici. Esiste il pericolo di scosse elettriche.

Il rispetto delle istruzioni di sicurezza esposte nel presente manuale o della legislazione indicata, non esime dal rispetto di altre norme specifiche relative a installazione, luogo, paese o altre circostanze che riguardino il dispositivo.

L'insieme delle indicazioni sulla sicurezza riportate nel presente documento deve essere ritenuto una misura minima di sicurezza. È sempre preferibile disinserire l'alimentazione generale. Possono essere presenti difetti di installazione che producono ritorni di tensione indesiderati. Esiste il pericolo di scosse elettriche.

Secondo le norme fondamentali di sicurezza, tutte le attrezzature devono essere adeguate a proteggere i lavoratori esposti dal rischio di contatto diretto e indiretto. In qualsiasi caso le parti elettriche delle attrezzature di lavoro devono essere conformi a quanto disposto dalla normativa specifica corrispondente.

Secondo la normativa generale sulla sicurezza, l'impianto elettrico non deve comportare rischi di incendio o esplosione. I lavoratori dovranno essere adeguatamente protetti dal rischio di incidenti causati da contatti diretti o indiretti. L'impianto elettrico e i dispositivi di protezione dovranno tenere in considerazione la tensione, i fattori esterni condizionanti e la competenza delle persone che hanno accesso alle parti dell'impianto.

Per verificare l'assenza di tensione è obbligatorio l'impiego di strumenti di misura di categoria III-1100 V.

INFORMAZIONI

Queste istruzioni devono essere ben accessibili accanto al dispositivo e poste alla portata degli utenti.

Prima dell'installazione e della messa in servizio, leggere attentamente queste istruzioni di sicurezza e gli avvisi, nonché tutti i segnali di avvertenza apposti sul dispositivo. Assicurarsi che tutti i segnali di avvertenza rimangano perfettamente leggibili e che quelli danneggiati o mancanti vengano sostituiti.

La protezione contro il contatto diretto è assicurata dall'involucro.

i INFORMAZIONI

Il dispositivo è stato testato in base alla normativa applicabile per soddisfare i requisiti di sicurezza, i valori delle distanze di isolamento e le vie di fuga per le tensioni di utilizzo.

Possibili pericoli per le persone**⚠ PERICOLO**

Scossa elettrica.

Il dispositivo può essere ancora carico anche dopo aver scollegato l'alimentazione elettrica.

Seguire attentamente la procedura obbligatoria per disinserire la tensione, riportata in questo manuale.

Esplosione.

Il rischio di esplosione è molto improbabile e in casi molto specifici di funzionamento anomalo.

La carcassa protegge persone e oggetti da un'eventuale esplosione solo se chiusa in modo corretto.

Schiacciamento e lesioni delle articolazioni.

Seguire sempre le indicazioni fornite dal manuale per movimentare e collocare il dispositivo.

Il peso del dispositivo può provocare lesioni, ferite gravi o morte se non viene manipolato in modo corretto.

Alta temperatura.

La portata di aria di uscita può raggiungere temperature elevate che possono provocare lesioni alle persone esposte.

Possibili pericoli per il dispositivo**⚠ PERICOLO**

Raffreddamento.

Durante il funzionamento, il dispositivo richiede un flusso d'aria privo di particelle estranee.

È indispensabile mantenere la posizione verticale e le entrate sgombre da qualsiasi ostacolo, per consentire che il flusso d'aria penetri all'interno del dispositivo.

Non toccare le schede né i componenti elettronici. I componenti più sensibili potrebbero risultare danneggiati o distrutti dall'elettricità statica.

Non disinserire né collegare alcun terminale mentre il dispositivo è in funzione. Disinserire e verificare l'assenza di tensione prima di eseguire qualsiasi operazione.

Per evitare che le giunzioni bullonate dei pannelli dell'involucro del dispositivo si usurino prematuramente è necessario rimuovere e montare le viti manualmente.

Dispositivi di protezione individuale (DPI)

Quando si lavora sul dispositivo, utilizzare almeno le seguenti dotazioni di sicurezza consigliate da Ingeteam.

Denominazione	Spiegazione
Calzature di sicurezza	In conformità con la norma <i>UNE-EN-ISO 20345:2012 ANSI Z41.1-1991</i>
Elmetto con maschera per il volto	In conformità con la norma <i>UNE-EN 397:1995, ANSI Z89.1-2014</i> , qualora vi siano elementi con tensione che siano accessibili direttamente
Indumenti da lavoro	Aderenti, non infiammabili, 100% cotone
Guanti dielettrici	In conformità con la norma <i>EN 60903:2005 ASTM D 120-87</i>

Le attrezzature o i dispositivi utilizzati in attività in tensione devono disporre almeno di isolamento di categoria III-1100 Volt.

Nel caso in cui le normative del luogo di installazione esigano un altro tipo di dispositivo di protezione individuale, è necessario completare in modo adeguato il dispositivo consigliato da Ingeteam.

Contenuti

Importanti condizioni di sicurezza	125
Condizioni di sicurezza.....	125
Dispositivi di protezione individuale (DPI).....	127
Contenuti	128
1. Informazioni su questo manuale	130
1.1. Campo di applicazione e nomenclatura	130
1.2. Destinatari	130
1.3. Simbologia.....	130
2. Descrizione del dispositivo	131
2.1. Visione generale.....	131
2.2. Modelli	131
2.3. Connettori	131
2.3.1. Connettori per carica DC.....	131
2.3.2. Connettore per carica AC	132
2.4. Protezioni.....	133
2.5. Accessori in dotazione di serie	133
2.6. Accessori opzionali	134
2.7. Sicurezza elettrica	134
2.7.1. Categoria di sovratensione (OVC)	134
2.8. Inquinamento acustico	134
2.9. Schema elettrico del sistema	135
2.10. Caratteristiche	136
2.11. Descrizione degli accessi dei cavi	137
3. Ricevimento del dispositivo e stoccaggio	138
3.1. Ricevimento	138
3.2. Identificazione del dispositivo	138
3.3. Danni durante il trasporto	138
3.4. Stoccaggio	138
3.5. Conservazione.....	138
4. Movimentazione del dispositivo	139
4.1. Baricentro	139
4.2. Disimballaggio.....	139
4.3. Trasporto.....	140
5. Preparazione per l'installazione del dispositivo.....	141
5.1. Ambiente	141
5.2. Ambiente	142
5.3. Condizioni ambientali.....	142
5.4. Superficie di appoggio e fissaggio	143
5.5. Requisiti del fusibile	144
5.6. Tipo di rete.....	145
5.7. Lunghezza del cablaggio.....	146
5.8. Sistema di disconnessione esterno	146
5.9. Trasformatore di Media Tensione	146
6. Installazione del dispositivo	147
6.1. Requisiti generali di installazione	147
6.2. Fissaggio del dispositivo	147
7. Collegamento degli accessori.....	149
7.1. Indicazioni di sicurezza per il collegamento degli accessori	149
7.2. Comunicazione via Ethernet	149
7.2.1. Requisiti del cablaggio	149
7.2.2. Procedura di connessione	149
8. Collegamento AC.....	150
8.1. Indicazioni di sicurezza per il collegamento AC.....	150
8.2. Requisiti del cablaggio per il collegamento dei cavi AC.....	150
8.3. Procedura di collegamento di AC.....	151

9. Primo collegamento alla rete elettrica	152
9.1. Revisione del dispositivo.....	152
9.1.1. Ispezione	152
9.1.2. Chiusura ermetica del dispositivo	152
10. Configurazione.....	153
10.1. Connessione locale	153
10.1.1. Connessione locale tramite Ethernet	153
10.1.2. Connessione locale tramite Wi-Fi.....	154
10.2. Connessione remota.....	154
11. Utilizzo del dispositivo.....	155
11.1. Schermata di carica	155
11.2. Come eseguire una ricarica	156
12. Risoluzione dei problemi.....	157
12.1. Allarmi.....	157
13. Disconnessione del dispositivo	158
14. Manutenzione.....	159
14.1. Condizioni di sicurezza.....	159
14.2. Stato dei tubi flessibili e dei connettori di ricarica.....	159
14.3. Stato dell'involucro	159
14.4. Stato dei cavi e dei terminali	159
14.5. Sostituzione del fusibile	160
14.6. Pulizia e cambio del filtro	161
14.7. Sostituzione dei ventilatori.....	162
15. Smaltimento dei rifiuti.....	164

EN

ES

FR

IT

1. Informazioni su questo manuale

Il presente manuale descrive i dispositivi INGEREV RAPID 50 e fornisce le informazioni necessarie per realizzare correttamente le attività di ricevimento, installazione, messa in servizio, manutenzione e funzionamento dello stesso.

1.1. Campo di applicazione e nomenclatura

Il presente manuale è valido per i seguenti dispositivi:

Nome completo	Abbreviazione
INGEREV RAPID 50 Trio	Trio
INGEREV RAPID 50 Duo	Duo
INGEREV RAPID 50 One	One

1.2. Destinatari

Il presente documento è rivolto a personale qualificato.

Quando nel presente manuale si parla di personale qualificato, si intende personale che risponde a tutte le norme, le direttive e le leggi in materia di sicurezza, applicabili agli interventi di installazione e funzionamento di questo dispositivo.

La selezione del personale qualificato è sempre responsabilità della società della quale tale personale fa parte, in quanto la società in questione decide se un lavoratore è adatto o meno a svolgere un determinato lavoro, tutelandone così la sicurezza e rispettando la legge applicabile in materia di sicurezza sul lavoro.

Tali società devono impartire una formazione adeguata sui dispositivi elettrici al proprio personale e fare in modo che il personale prenda dimestichezza con il contenuto di questo manuale.

1.3. Simbologia

Nel manuale sono presenti avvisi per segnalare informazioni di particolare rilievo. A seconda della natura del testo sono possibili tre tipi di avvisi:



PERICOLO

Indica pericoli per l'incolumità della persona o per il caricatore.



ATTENZIONE

Indicazione importante.



INFORMAZIONI

Informazioni aggiuntive o riferimenti ad altre parti del documento o ad altri documenti.

2. Descrizione del dispositivo

2.1. Visione generale

La stazione di ricarica INGEREV RAPID 50 è la stazione di ricarica rapida multi-standard ideata per le esigenze di carica rapida dei veicoli elettrici più attuali, consentendo di recuperare fino a 100 km di autonomia in meno di 20 minuti.

Con i suoi diversi modelli, INGEREV RAPID 50 permette la ricarica rapida in DC secondo gli standard CCS (Combined Charging System) e CHAdeMO con il Modo 4, così come la ricarica in AC attraverso il connettore Modo 3 Tipo 2.

E' stata progettata per l'uso esterno in aree pubbliche. È un apparecchio fisso di classe I progettato per essere montato a terra.

2.2. Modelli

Le stazioni di ricarica INGEREV RAPID 50 vantano vari modelli, per i quali sono disponibili i seguenti tipi di connettori:

	Tipo di connettore		
	Corrente continua		Corrente alternata
	CCS	CHAdeMO	AC Tipo 2
INGEREV RAPID 50 Trio	●	●	●
INGEREV RAPID 50 Duo	●	●	○
INGEREV RAPID 50 One	●	○	○

● Dotato // ○ Non dotato

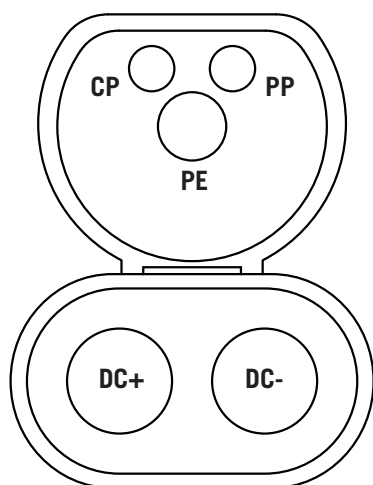
Questi modelli sono progettati per rimanere collegati alla rete pubblica AC. Tutti producono corrente DC, mentre il modello INGEREV RAPID 50 Trio consente la ricarica anche in AC.

2.3. Connettori

2.3.1. Connettori per carica DC

I seguenti connettori si basano sugli standard per la carica rapida DC dei veicoli elettrici.

CCS



PP: *Proximity Pilot*, spia di prossimità

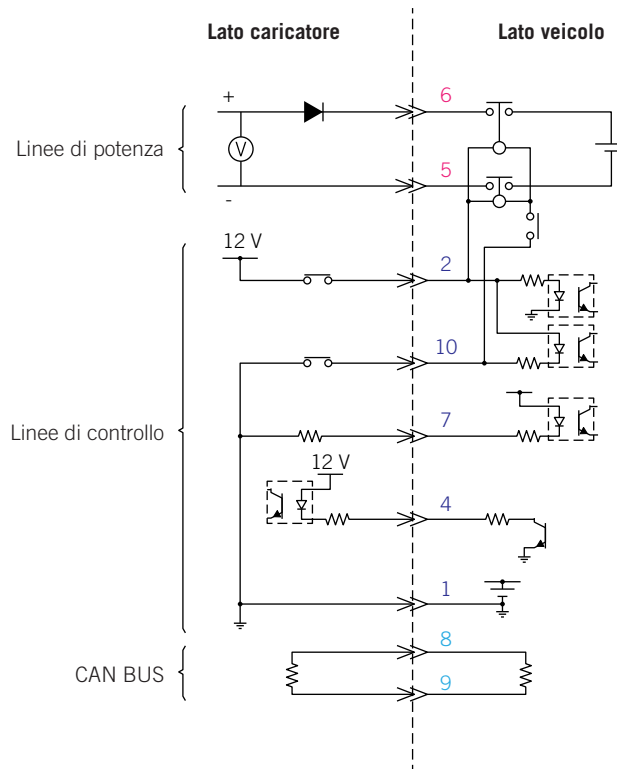
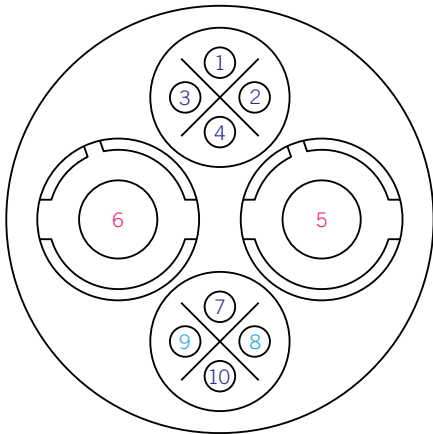
CP: *Control Pilot*, spia di controllo

PE: *Protective Earth*, terra

DC+

DC-

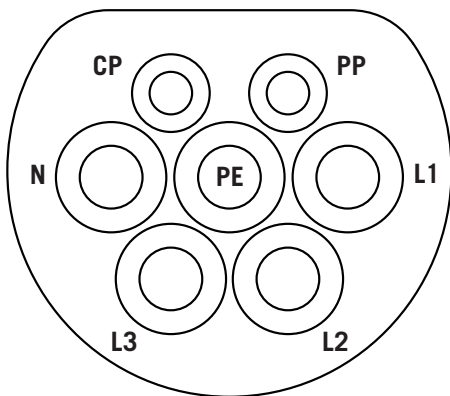
CHAdeMO



2.3.2. Connettore per carica AC

Il seguente connettore si basa sugli standard per la carica rapida AC dei veicoli elettrici.

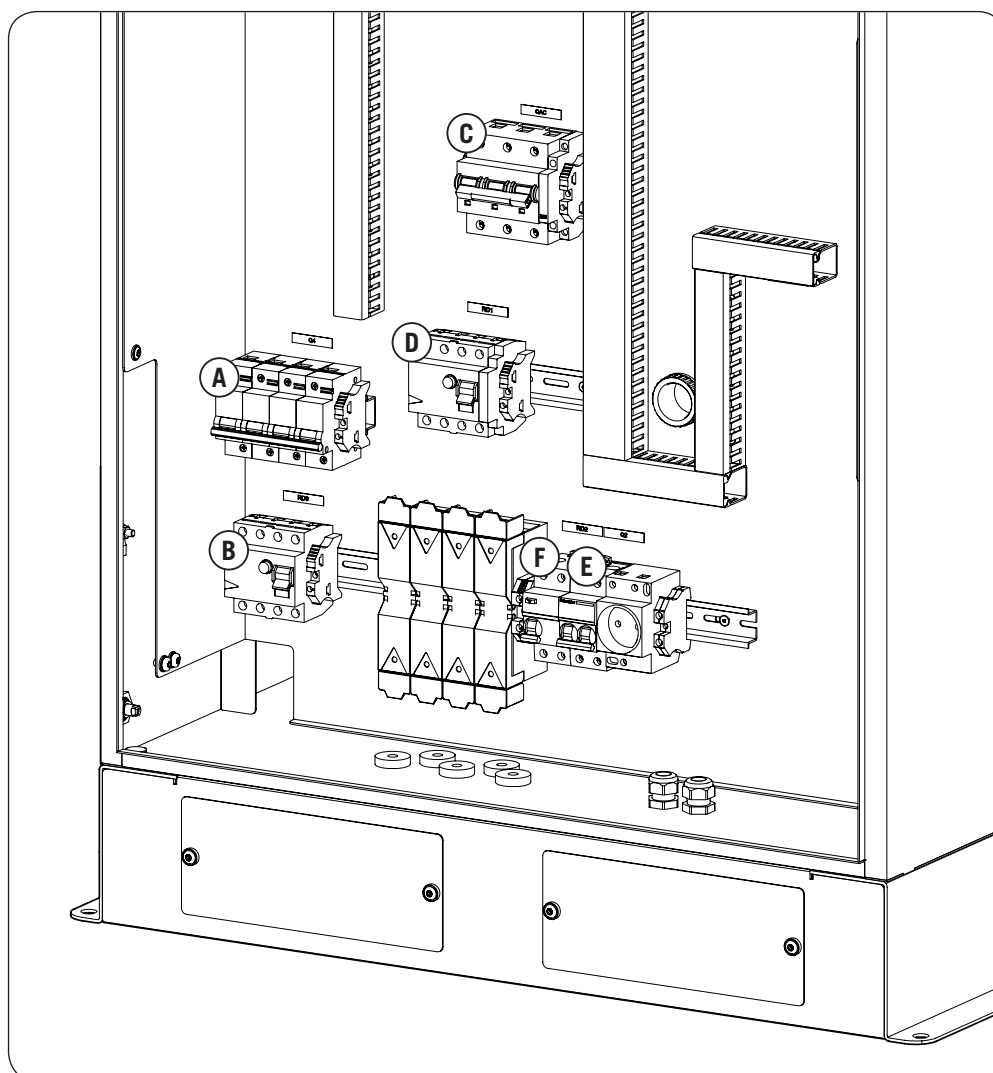
IEC 62196-2 AC Tipo 2



- PP: *Proximity Pilot*, spia di prossimità
- CP: *Control Pilot*, spia di controllo
- PE: *Protective Earth*, terra
- N: Neutro
- L1: Fase 1
- L2: Fase 2
- L3: Fase 3

2.4. Protezioni

Questa stazione di ricarica dispone di diverse protezioni che si descrivono a continuazione.



- | | |
|---|---|
| A. Q4 (AC). Interruttore magnetotermico 80 A Curva C (solo Trio) | D. RD1 (DC). Interruttore differenziale 30 mA 100 A Tipo A |
| B. RD3 (AC). Interruttore differenziale 30 mA 63 A Tipo B (solo Trio) | E. Q2 (ausiliari). Interruttore magnetotermico 6 A Curva C |
| C. QAC (DC). Interruttore magnetotermico 100 A Curva C | F. RD2 (ausiliari). Interruttore differenziale 30 mA 25 A Tipo AC |

2.5. Accessori in dotazione di serie

- Comunicazione Ethernet.
- Comunicazione locale con altre stazioni INGEREV.
- Compatibilità con OCPP.
- Autenticazione mediante schede RFID/NFC.
- Interfaccia con monitor.
- Custodia in acciaio estremamente resistente in condizioni ambientali avverse.

2.6. Accessori opzionali

Questi modelli possono essere dotati dei seguenti accessori opzionali:

- Comunicazione 3G.
- Comunicazione Wi-Fi.

2.7. Sicurezza elettrica

Vengono indicate di seguito le grandezze progettuali interessanti per la sicurezza elettrica.

2.7.1. Categoria di sovratensione (OVC)

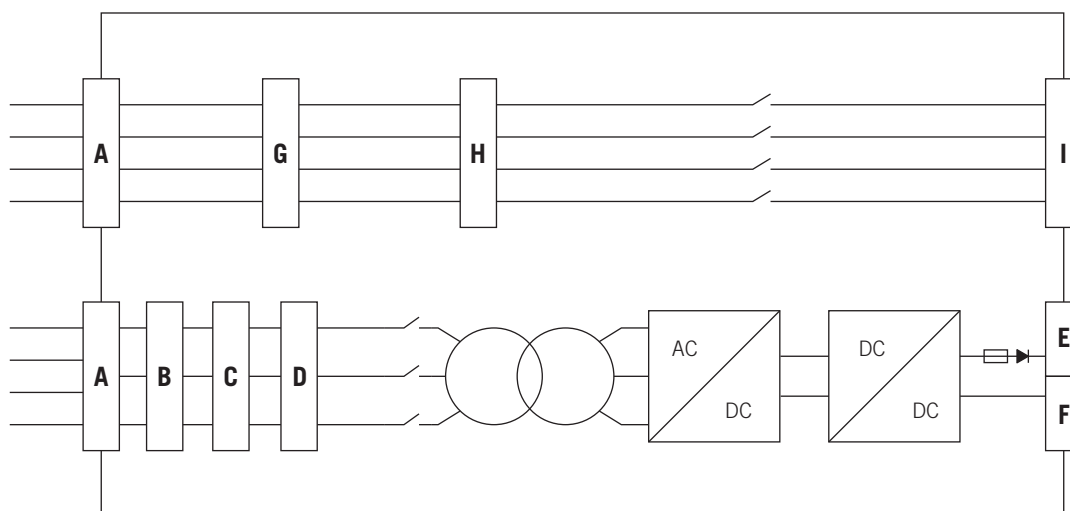
Questi modelli sono stati progettati con una categoria di sovratensione OVC III in AC.

2.8. Inquinamento acustico

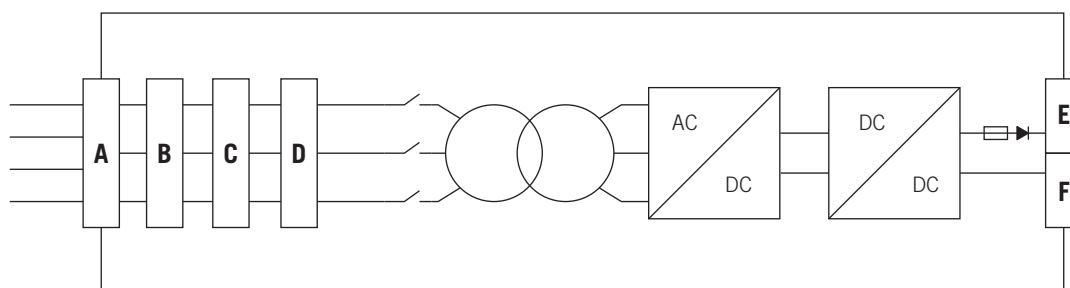
Il funzionamento di questo dispositivo genera un ronzio. Non collocarla in un locale abitato o su supporti leggeri che possano amplificare tale ronzio. La superficie di montaggio deve essere solida, in grado di sopportare il peso del dispositivo.

2.9. Schema elettrico del sistema

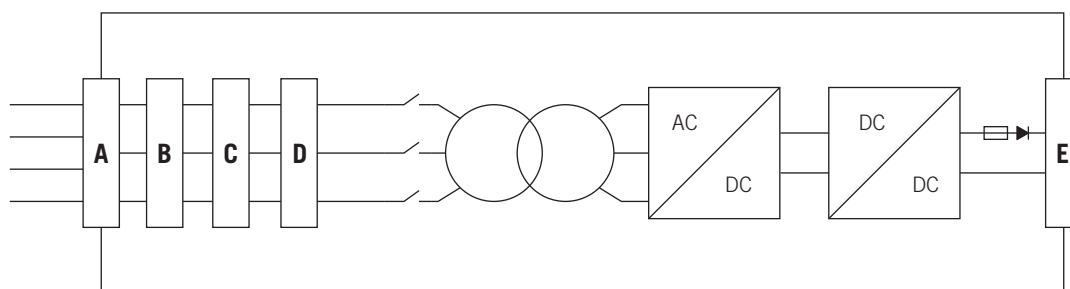
INGEREV RAPID 50 Trio



INGEREV RAPID 50 Duo



INGEREV RAPID 50 One



- | | |
|-----------------------------------|-----------------------------------|
| A. Allacciamento | F. Connettore CHAdeMO |
| B. Magnetotermico e differenziale | G. Magnetotermico e differenziale |
| C. Wattmetro | H. Wattmetro |
| D. Filtro EMI | I. Connettore AC Tipo 2 |
| E. Connettore CCS | |

2.10. Caratteristiche

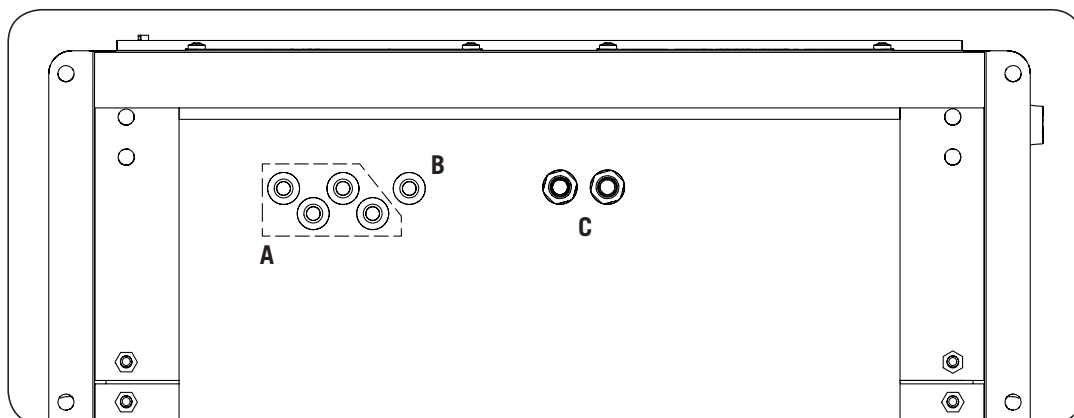
INGEREV RAPID 50 Trio / Duo / One	
Ingresso AC (per uscita DC)	
Tensione	Tre fasi + neutro + terra; 400 Vac \pm 15%
Frequenza	50 Hz
Corrente nominale	77 A
Potenza nominale	53 kVA
Efficienza	> 94%
Fattore di potenza	> 0,98
Ingresso AC (per uscita AC)⁽¹⁾	
Tensione	Tre fasi + neutro + terra; 400 Vac \pm 15%
Frequenza	50 Hz
Corrente nominale	63 A
Potenza nominale	43,5 kVA
Connettori per carica	AC Modalità 3 Tipo 2
Uscita (DC)	
Soglia di tensione	50 ~ 500 V
Corrente massima	125 A
Potenza massima	50 kW
Connettori per carica	CCS Tipo 2 / CHAdeMO ⁽²⁾
Conformità alle normative e sicurezza	
Standard	IEC 61851-1, IEC 61851-23, IEC 61851-24, CHAdeMO 1.0.0, DIN 70121, ISO 15118, IEC 61000
Protezione da sovracorrente	Magnetotermico 80 A Curva C per ricarica in AC Magnetotermico 100 A Curva C per ricarica in DC
Protezione contro i contatti indiretti	Differenziale 63 A 30 mA Tipo B per ricarica in AC ⁽²⁾ Differenziale 100 A 30 mA Tipo A per ricarica in DC
Protezione contro la sovratensione	Scaricatore di sovratensione di tipo III
Informazioni generali	
Sistema di raffreddamento	Ventilazione forzata
Consumo in standby	< 100 W
Lunghezza del cablaggio	> 3 m ⁽³⁾
Temperatura di esercizio	-25°C ~ 60°C
Umidità	0 ~ 95% (senza condensa)
Peso	620 kg
Misure	785 x 700 x 1900 mm
Grado di protezione	IP54/IK10 (display e griglie di ventilazione IK08)
Marchio	CE
Altezza massima	Fino a 2000 m

⁽¹⁾ solo per Trio

⁽²⁾ solo per Trio e Duo

⁽³⁾ in alternativa, > 3,8 m

2.11. Descrizione degli accessi dei cavi



- A. Derivazione AC Intervallo consentito per tubo 6 ~ 20 mm.
- B. Connessione a terra di derivazione AC. Intervallo consentito per tubo 6 ~ 20 mm.
- C. Cavo Ethernet e altri utilizzi. Pressacavo M20. Intervallo consentito per tubo 6 ~ 13 mm.

3. Ricevimento del dispositivo e stoccaggio

3.1. Ricevimento

Conservare il dispositivo imballato fino all'installazione.

3.2. Identificazione del dispositivo

Il numero di serie del dispositivo lo identifica in modo inequivocabile. In qualsiasi comunicazione con Ingeteam si deve fare riferimento a questo numero.

Il numero di serie del dispositivo è indicato anche sulla targhetta che riporta le caratteristiche del dispositivo stesso.

3.3. Danni durante il trasporto

Se il dispositivo ha subito danni durante il trasporto:

1. Non procedere all'installazione.
2. Notificare immediatamente il fatto al proprio rivenditore entro cinque giorni dal ricevimento del dispositivo.

Se fosse necessario restituire il dispositivo al costruttore, si dovrà usare l'imballaggio originale.

3.4. Stoccaggio

ATTENZIONE

L'inosservanza delle istruzioni fornite in questa sezione può provocare danni al dispositivo.

Ingeteam declina qualsiasi responsabilità per danni derivanti dall'inosservanza delle presenti istruzioni.

Se il dispositivo non viene installato immediatamente dopo il ricevimento, per evitarne il deterioramento occorre procedere come indicato di seguito:

- Il dispositivo deve essere stoccato nel suo imballo originale.
- Mantenere pulito il dispositivo (eliminare polvere, trucioli, grasso, ecc.), ed evitare la presenza di roditori.
- Proteggerlo da schizzi d'acqua, scintille di saldatura, ecc.
- Coprire il dispositivo con un materiale protettivo traspirante per evitare la condensa provocata dall'umidità ambientale.
- I dispositivi stoccati non devono essere sottoposti a condizioni climatiche diverse rispetto a quelle indicate nella sezione "2.10. Caratteristiche".
- È molto importante proteggere l'impianto da prodotti chimici corrosivi e dagli ambienti salini.
- Non stoccare il dispositivo sottoponendolo a intemperie.

3.5. Conservazione

Per la corretta conservazione dei dispositivi, non rimuovere l'imballaggio originale fino al momento dell'installazione.

In caso di stoccaggio prolungato si consiglia di riporre i dispositivi in un luogo asciutto evitando, per quanto possibile, bruschi sbalzi di temperatura.

Il deterioramento dell'imballaggio (tagli, fori, ecc.) impedisce una corretta conservazione dei dispositivi prima dell'installazione. Ingeteam declina ogni responsabilità in caso di mancato rispetto di questa condizione.

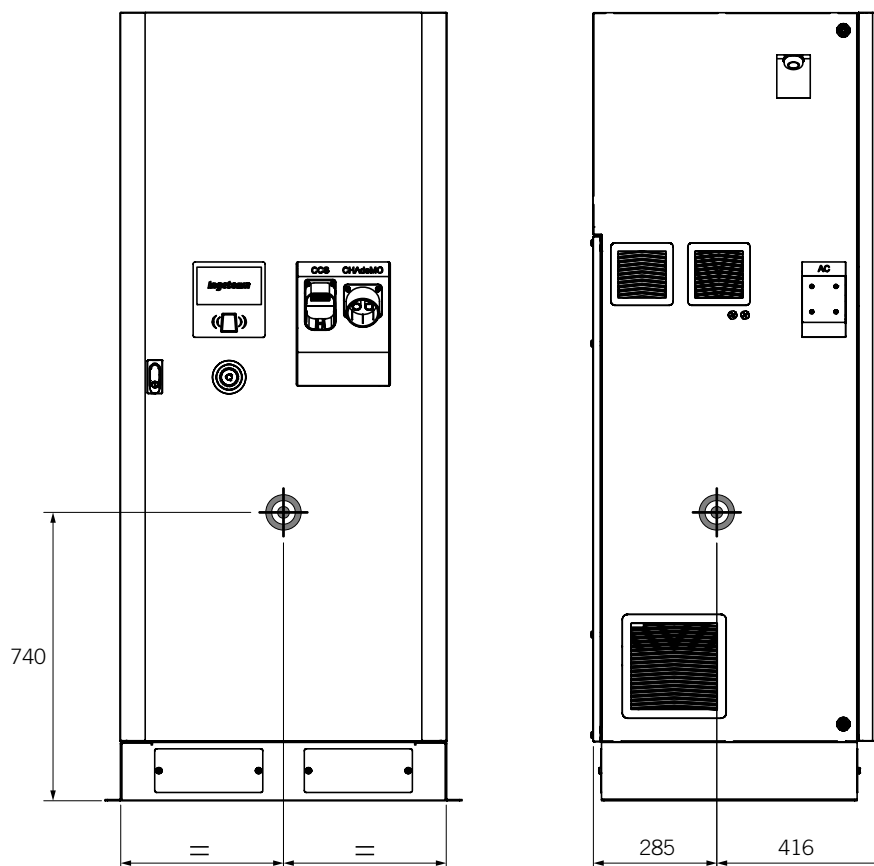
4. Movimentazione del dispositivo

Durante il trasporto, il dispositivo deve essere protetto da urti meccanici, vibrazioni, schizzi d'acqua (pioggia) e da qualsiasi altro prodotto o situazione in grado di danneggiarlo o alterarne il comportamento.

Il mancato rispetto di queste istruzioni può provocare la decadenza della garanzia del prodotto, senza che ciò comporti alcuna responsabilità da parte di Ingeteam.

4.1. Baricentro

Nel momento in cui il dispositivo viene spostato, si dovrà considerare il suo baricentro. Di seguito viene indicata la posizione approssimativa del centro di gravità.



4.2. Disimballaggio

La corretta movimentazione dei dispositivi è di vitale importanza per:

- Non danneggiare l'imballaggio che consente di mantenerli in condizioni ottimali, dalla spedizione al momento in cui vengono installati.
- Evitare urti o cadute dei dispositivi che potrebbero danneggiarne le caratteristiche meccaniche, ad esempio, chiusura errata delle porte, perdita del grado di protezione, ecc.
- Evitare, per quanto possibile, le vibrazioni, che potrebbero provocare un successivo funzionamento anomalo.

In caso si rilevino delle anomalie contattare immediatamente Ingeteam.

Smaltimento dell'imballaggio

L'imballaggio può essere consegnato a un gestore autorizzato di rifiuti non pericolosi.

In ogni modo, la destinazione di ogni parte dell'imballaggio sarà:

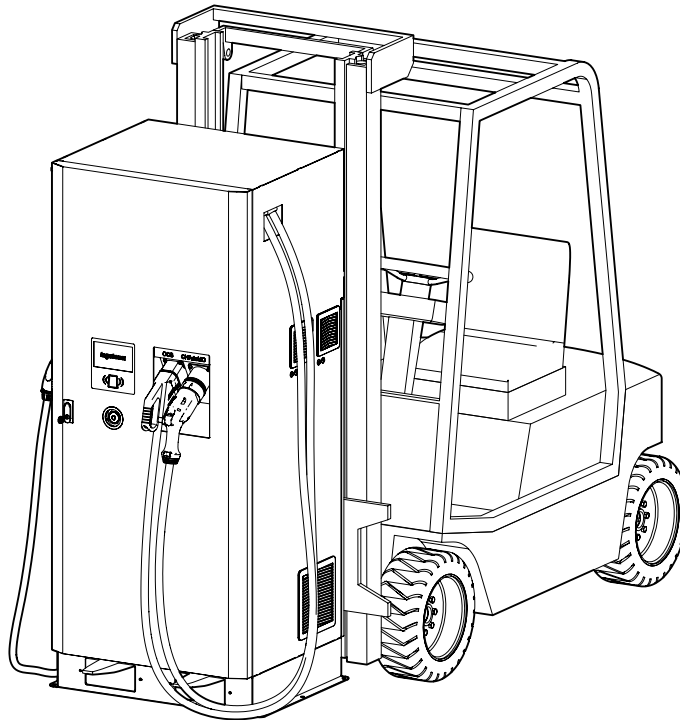
- Plastica (polistirolo, borsa e fogli di plastica a bolle): relativo contenitore.
- Cartone: relativo contenitore.

4.3. Trasporto

Movimentazione con transpallet o carrello elevatore

Devono essere rispettate almeno le seguenti indicazioni:

1. Depositare i dispositivi in posizione centrale rispetto alle forche.



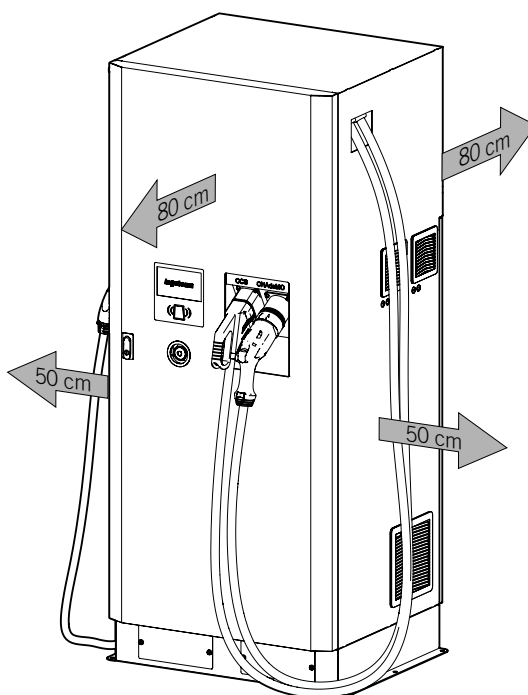
2. Sistemarli il più vicino possibile all'attacco delle forche al montante.
3. Controllare che le forche siano perfettamente allineate, per evitare possibili ribaltamenti del dispositivo.
4. In ogni caso, rispettare le istruzioni del manuale d'uso del transpallet o del carrello elevatore.

5. Preparazione per l'installazione del dispositivo

Per decidere l'ubicazione del dispositivo e programmare l'installazione bisogna seguire una serie di indicazioni dovute alle caratteristiche del dispositivo stesso. In questo capitolo sono riassunte queste regole.

5.1. Ambiente

- Questi dispositivi possono essere installati in interni ed esterni.
- Collocare i dispositivi in un luogo accessibile per gli interventi di installazione e manutenzione e in cui sia possibile accedere con facilità al pannello di controllo.
- Evitare ambienti corrosivi che possono influenzare il corretto funzionamento del dispositivo.
- Non lasciare oggetti sul dispositivo o nelle parti laterali dello stesso, possono ostacolare la ventilazione e provocarne il surriscaldamento.
- Non esporre i dispositivi alla radiazione solare diretta.
- Non installare in locali abitati per via della rumorosità che caratterizza il suo funzionamento.
- In caso di installazione in ambienti chiusi (stanze, cabine, ecc) garantire che siano adeguatamente ventilati. Il funzionamento dei dispositivi dipende dalla loro temperatura ambiente, una ventilazione inadeguata può ridurre le capacità.
- In caso di installazione di più dispositivi assicurarsi che l'estrazione di aria calda di uno non interferisca con la corretta ventilazione degli altri. Per questo è necessario lasciare uno spazio di separazione laterale di almeno 2 metri.
- Le distanze minime indicate qui di seguito devono essere mantenute libere da ostacoli.



5.2. Ambiente

- Collocare i dispositivi in un luogo accessibile per gli interventi di installazione e manutenzione e che consente l'uso del display TFT.
- Le uscite d'aria e la zona del modulo di potenza possono raggiungere temperature elevate. Non collocare nelle immediate vicinanze del dispositivo nessun materiale sensibile alle alte temperature.
- Evitare ambienti corrosivi che possono influenzare il corretto funzionamento del dispositivo. Non installare il dispositivo in zone ATEX.
- È proibito lasciare qualsiasi oggetto sul dispositivo.
- Collocare i dispositivi sotto una copertura per proteggerli dalle radiazioni solari dirette, orientarne la parte frontale verso nord nell'emisfero nord e verso sud nell'emisfero sud.

5.3. Condizioni ambientali

Per scegliere l'ubicazione più adatta occorre tenere in considerazione le condizioni ambientali di funzionamento del dispositivo.

Condizioni ambientali	
Temperatura minima	-20°C
Temperatura minima dell'aria circostante	-20°C
Temperatura massima di funzionamento	60°C ⁽¹⁾
Umidità relativa massima senza condensa	95%
Altezza	2000 m ⁽²⁾

⁽¹⁾ Il funzionamento del dispositivo a temperature maggiori di 50°C è ammesso solo in casi sporadici e non come situazione permanente. Ingeteam declina qualsiasi responsabilità per le conseguenze provocate dall'uso continuato del dispositivo a temperature maggiori di 50°C.

⁽²⁾ Per l'installazione a altezze maggiori di 1.000 m contattare Ingeteam.

È opportuno ricordare che, occasionalmente, si potrebbe produrre una condensa moderata come conseguenza degli sbalzi di temperatura. Oltre alla protezione del dispositivo è importante che i dispositivi siano monitorati quando utilizzati in luoghi in cui è probabile che non si verifichino le condizioni descritte sopra.

Non applicare mai tensione al dispositivo in presenza di condensa. Per eliminare la condensa, applicare un flusso d'aria calda ad una temperatura massima di 60 °C.

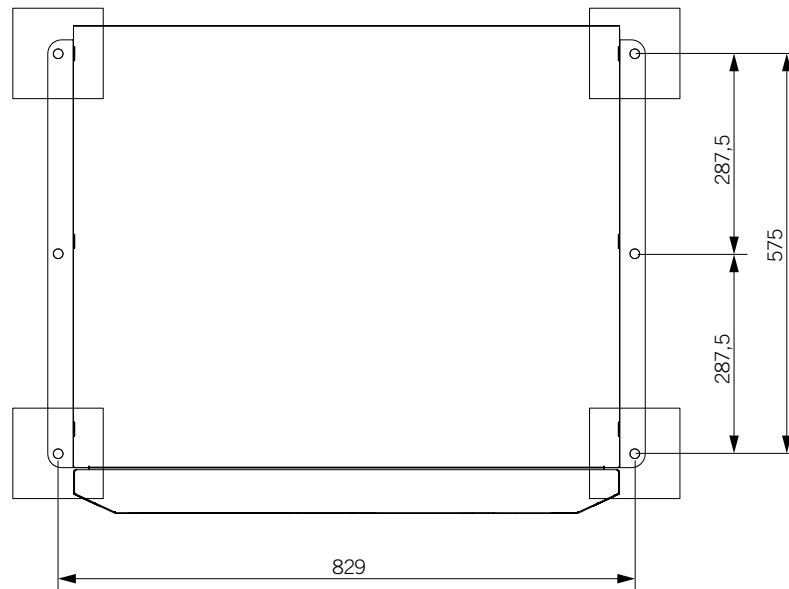
i INFORMAZIONI

Ingeteam non garantisce il corretto funzionamento del dispositivo se non sono soddisfatte le condizioni operative per le quali è stato progettato.

5.4. Superficie di appoggio e fissaggio

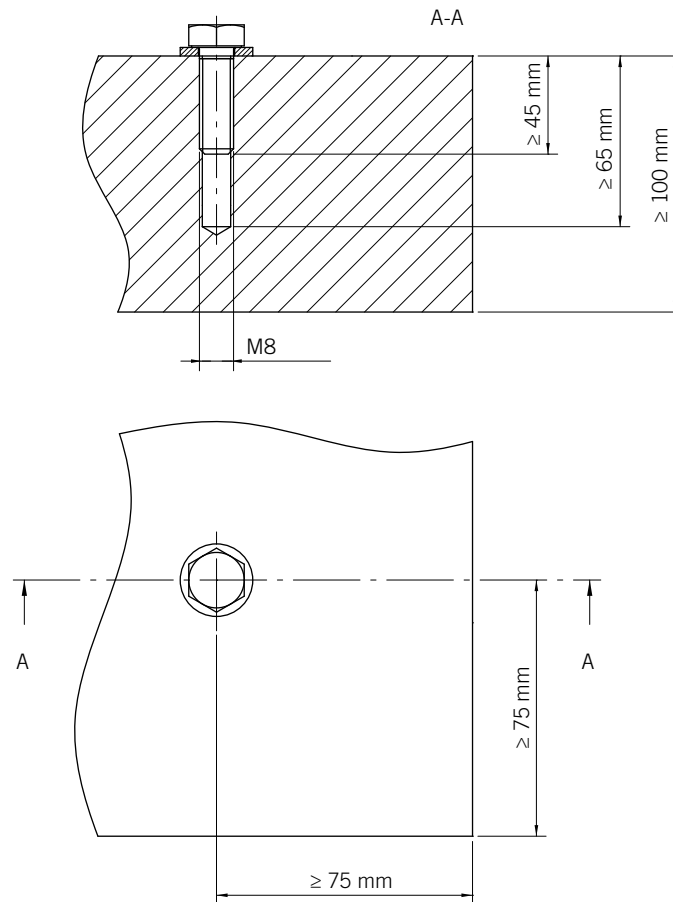
Dato il peso elevato dei dispositivi, è necessario che il pavimento sul quale appoggiano sia solido, completamente orizzontale e livellato e dotato di un corretto drenaggio dell'acqua per evitare che si verifichino ristagni.

Per effettuare i calcoli per l'impianto bisogna tenere conto dei carichi che influiscono sulle condizioni dell'ambiente circostante, secondo la normativa del paese e dei diversi baricentri come indicato nel paragrafo "4.1. Baricentro". Di seguito si mostrano i quattro supporti minimi necessari.



Si devono rispettare le seguenti disposizioni quando si sceglie il luogo in cui installare il dispositivo:

- Distanza minima del centro del foro dal basamento in calcestruzzo ai bordi: 75 mm.
- Diametro del foro da praticare nel basamento in calcestruzzo: 8 mm.
- Profondità minima del foro realizzato nel basamento in calcestruzzo: 65 mm.
- Spessore minimo del basamento in calcestruzzo: 100 mm.
- Profondità minima della vite di fissaggio: 45 mm.
- Resistenza minima alla trazione: 7,7 kN. Coefficiente di sicurezza 1,5.
- Resistenza minima al taglio: 9,3 kN. Coefficiente di sicurezza 1,25.



5.5. Requisiti del fusibile

⚠ ATTENZIONE

Ingeteam utilizza il fusibile Bussmann PV-160ANH1 da 1000 Vdc - 160 A - 50 kA e il portafusibili Bussmann SD 1-D-PV. Nel caso in cui si renda necessario sostituire il fusibile si dovrà tenere conto delle caratteristiche dello stesso e del portafusibili installati di serie, in modo tale da poter scegliere quelli giusti, adottando perlomeno i valori di protezione del fusibile di serie.

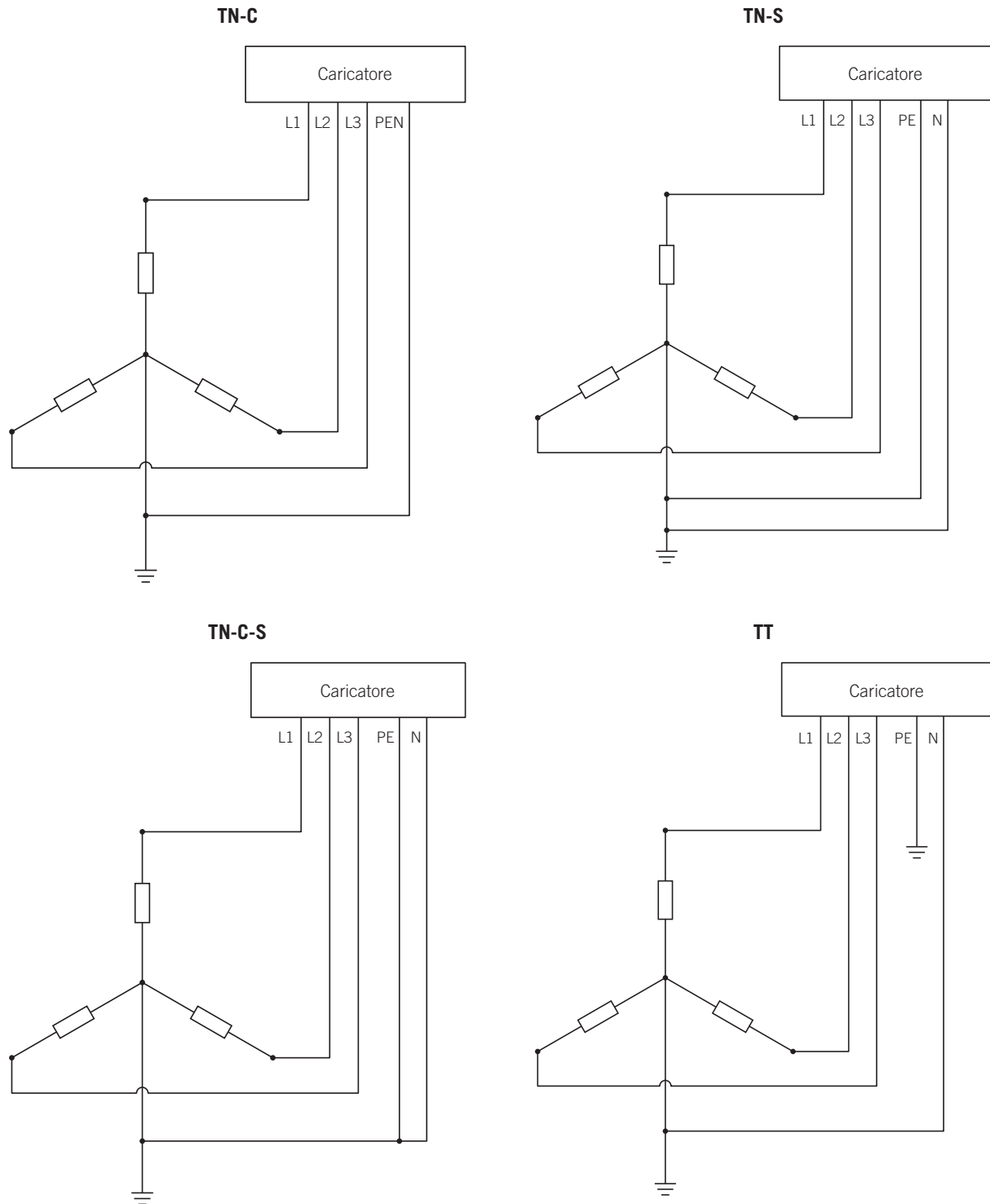
Ingeteam non potrà essere ritenuta responsabile per la scelta di un fusibile non corretto per sostituire quello originale.

5.6. Tipo di rete

Questi dispositivi devono essere collegati a una rete trifase a stella con neutro messo a terra. I sistemi di messa a terra ammessi sono TT e TN.

Non può collegarsi a reti IT o reti delta messe a terra in una delle sue linee.

È necessario portare i collegamenti della rete trifase (L1, L2, L3 e N) e della sua messa a terra (PE) verso il dispositivo.



5.7. Lunghezza del cablaggio

Il caricatore misura la tensione nei morsetti di collegamento, per questo motivo l'installatore deve utilizzare un cavo AC con un'impedenza sufficientemente bassa affinché l'aumento di tensione nel cavo (tra il trasformatore di distribuzione e il dispositivo) non faccia staccare il dispositivo a causa della Bassa Tensione.

5.8. Sistema di disconnessione esterno

Per eseguire interventi di ispezione sul dispositivo è necessario togliere la tensione di alimentazione AC. Per farlo l'installatore dovrà installare un sistema di disconnessione esterno.

5.9. Trasformatore di Media Tensione

Negli impianti in cui è necessario l'impiego di trasformatori di Media Tensione per i caricatori, il trasformatore deve soddisfare i requisiti seguenti:

- La potenza nominale del trasformatore deve essere pari o maggiore alla somma delle potenze dei caricatori installati a valle.
- La configurazione del trasformatore deve essere a stella sul lato di Bassa Tensione e a triangolo sul lato di Alta Tensione.
- Sul lato di Bassa Tensione, il terminale del neutro deve essere accessibile ed essere collegato a terra.
- Si consiglia l'uso di trasformatori con $U_{cc} < 6\%$.
- È raccomandato l'uso di trasformatori con regolazione di tensione in 5 (0, $\pm 2,5$, $\pm 5\%$).
- Il lato di Bassa Tensione del trasformatore deve sopportare una corrente monopolare tre volte la frequenza di rete dell'ordine di 10 Arms/MVA.
- Riguardo alle dimensioni del trasformatore è necessario tener conto di:
 - Le caratteristiche di tensione e frequenza (e loro tolleranze) del punto di collegamento.
 - La normativa del paese di installazione.
 - I fattori ambientali del luogo di installazione (temperatura, umidità, altezza, ecc.).
- Il trasformatore è una parte essenziale dell'installazione, le cui caratteristiche devono essere tenute in conto al momento di progettare le protezioni necessarie a valle dello stesso.

6. Installazione del dispositivo

Prima di procedere all'installazione del dispositivo, occorre rimuovere l'imballaggio, prestando particolare attenzione a non danneggiare l'involucro (v. paragrafo "4.2. Disimballaggio").

Verificare che non ci sia condensa all'interno dell'imballaggio. In caso contrario, installare il dispositivo solo quando sarà completamente asciutto.

⚠ ATTENZIONE

Tutte le operazioni di installazione devono essere eseguite rispettando la direttiva in vigore.

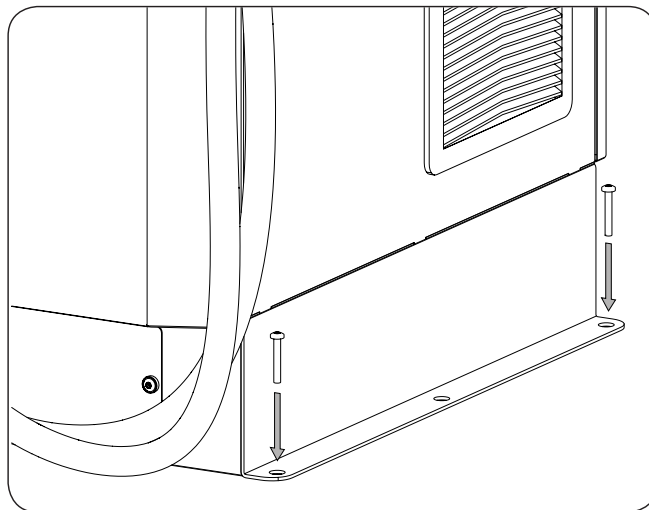
Tutte le operazioni che prevedono la movimentazione di pesi importanti dovranno essere eseguite utilizzando adeguate attrezzature meccaniche (gru, paranchi, ecc.).

6.1. Requisiti generali di installazione

- Il dispositivo deve essere installato in un ambiente adatto, che soddisfi le indicazioni descritte nel capitolo "5. Preparazione per l'installazione del dispositivo". Inoltre, gli elementi utilizzati nel resto dell'installazione devono essere compatibili con il dispositivo e conformi alla legislazione applicabile.
- La ventilazione e lo spazio di lavoro devono essere adeguati agli interventi di manutenzione secondo la direttiva in vigore.
- I dispositivi esterni di connessione devono essere adatti e rispettare la distanza stabilita dalla direttiva in vigore.
- La sezione dei cavi di allacciamento deve essere adeguata all'intensità di corrente massima.
- Evitare la presenza di elementi esterni vicino alle entrate e uscite d'aria, in quanto potrebbero impedire la corretta ventilazione del dispositivo. Rispettare le distanze indicate nel paragrafo "5.1. Ambiente".

6.2. Fissaggio del dispositivo

Per fissare il dispositivo, avvitare al pavimento una serie di viti attraverso gli appositi fori situati sui fianchi dello zoccolo inferiore.



Procedere come indicato qui di seguito:

1. Segnare i punti di fissaggio sul pavimento.
2. Effettuare dei fori sul pavimento con il trapano e una punta adeguata.
3. Applicare le viti attraverso i fori dello zoccolo.
4. Verificare che il dispositivo sia stato fissato in modo corretto.

Dopo aver installato correttamente il dispositivo avviare la procedura di collegamento.

Eeguire i collegamenti nel seguente ordine:

1. Collegamento degli accessori (opzionale).
2. Collegamento AC.

 **ATTENZIONE**

È obbligatorio seguire l'ordine descritto anteriormente. Inserire la tensione solo dopo aver realizzato tutti i collegamenti e dopo aver chiuso il dispositivo.

7. Collegamento degli accessori

Questo capitolo spiega la procedura da seguire per collegare gli accessori di serie e opzionali nel dispositivo.

Leggere attentamente le presenti istruzioni prima di avviare la procedura di connessione.

7.1. Indicazioni di sicurezza per il collegamento degli accessori

PERICOLO

Assicurarsi che il dispositivo si trovi in assenza di tensione prima di effettuare qualsiasi collegamento.

Non alimentare il dispositivo finché non siano state effettuate correttamente tutte le connessioni e non sia stato chiuso il dispositivo.

Utilizzare l'attrezzatura per la protezione individuale indicata in *"Dispositivi di protezione individuale (DPI)"*.

ATTENZIONE

Ingeteam declina ogni responsabilità per i danni causati da un collegamento non corretto.

7.2. Comunicazione via Ethernet

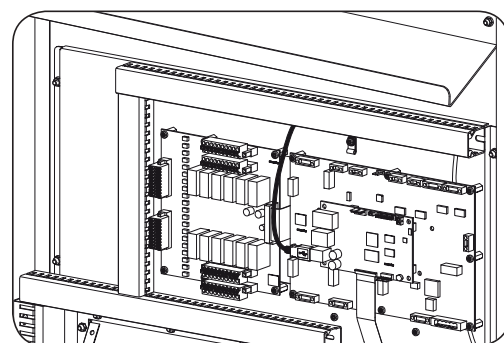
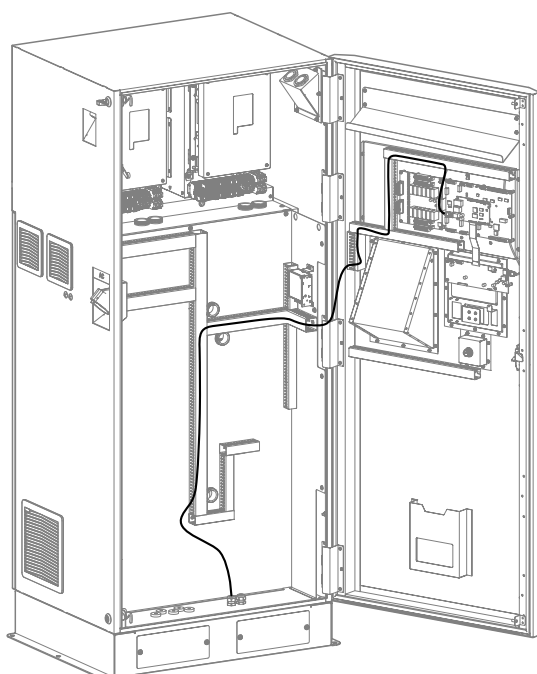
7.2.1. Requisiti del cablaggio

Per la comunicazione Ethernet sono necessari cavi di diametro compreso tra 4 e 6 mm.

7.2.2. Procedura di connessione

Per eseguire il collegamento, procedere come indicato di seguito:

1. Nell'area inferiore di ingresso dei cavi, inserire il cavo Ethernet attraverso il relativo pressacavo.
2. Collegare i cavi tramite le canaline, come si mostra nella figura seguente:



3. Inserire il connettore RJ45 nella scheda.
4. Serrare il pressacavo per assicurare che sia chiuso ermeticamente ed evitare che il cavo rimanga teso.

8. Collegamento AC

In questo capitolo vengono indicati i requisiti e la procedura per collegare i cavi AC del dispositivo.

Leggere attentamente le presenti istruzioni prima di avviare la procedura di connessione.

INFORMAZIONI

Prima di operare sul dispositivo, consultare il capitolo *“Importanti condizioni di sicurezza”* e le seguenti indicazioni.

8.1. Indicazioni di sicurezza per il collegamento AC

PERICOLO

Assicurarsi che il dispositivo si trovi in assenza di tensione prima di effettuare il collegamento AC.

Non alimentare il dispositivo finché non siano state effettuate correttamente tutte le connessioni e non sia stato chiuso il dispositivo.

Utilizzare l'attrezzatura per la protezione individuale indicata in *“Dispositivi di protezione individuale (DPI)”*.

Durante il collegamento è importante collegare correttamente i cavi nei morsetti del dispositivo e non lasciare che siano accessibili parti del cablaggio che sono in tensione.

Rispettare la polarità dei cavi di AC.

ATTENZIONE

Ingeteam declina ogni responsabilità per i danni causati da un collegamento non corretto.

8.2. Requisiti del cablaggio per il collegamento dei cavi AC

Per garantire la sicurezza delle persone, per il corretto funzionamento del dispositivo e per soddisfare la normativa in vigore, il dispositivo deve essere collegato alla messa a terra dell'impianto.

Se il caricatore e il punto di collegamento alla rete sono separati da una distanza che richiede l'uso di cavi con una sezione maggiore, è obbligatorio l'uso di una scatola di distribuzione esterna, vicina al caricatore, per effettuare questo cambio di sezione.

Il collegamento di AC dovrà essere eseguito mediante cavi monopolari. Sono necessari cinque cavi in totale: tre di fase, uno di neutro e uno di terra. Il materiale del conduttore può essere di rame o alluminio.

ATTENZIONE

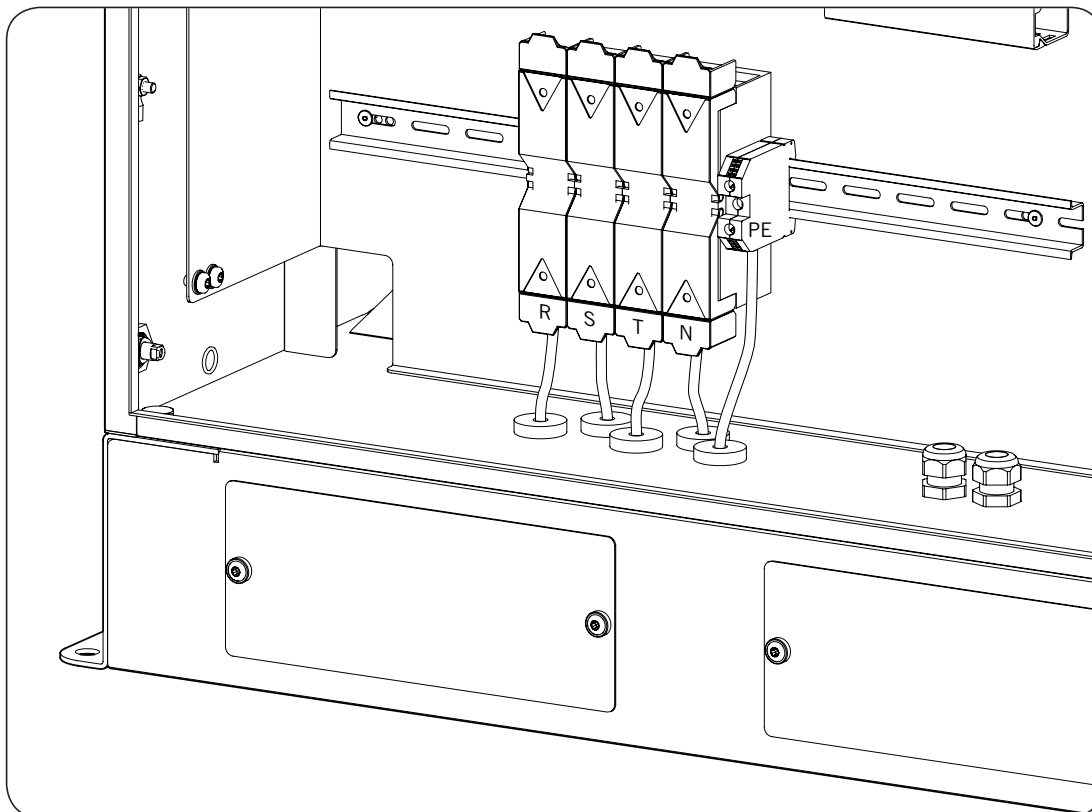
In caso di utilizzo di cavi in alluminio, l'installatore dovrà applicare i mezzi necessari per evitare il formarsi di coppie galvaniche nel collegamento (come terminali bipolari, interfacce bimetalliche ecc.).

È responsabilità dell'installatore garantire che il cablaggio di terra sia delle dimensioni adeguate e soddisfi i requisiti della normativa in vigore.

L'ingresso AC ammette una sezione compresa tra 10 mm² e 70 mm². Il diametro minimo e quello massimo dei cavi in ingresso è di rispettivamente 6 e 20 mm. I cavi devono confluire in un capocorda ad anello M8. La larghezza massima dell'anello non deve superare i 28 mm.

8.3. Procedura di collegamento di AC

1. Inserire il cavo tramite gli appositi passacavi nella parte inferiore della stazione di ricarica.
2. Collegare le tre fasi, neutro e terra alle morsettiere indicate con le lettere R, S, T e N e alla barra di terra PE.



Nella tabella seguente sono indicate le coppie di serraggio da applicare alla connessione.

Coppie di serraggio da applicare	
Collegamento	Coppia di serraggio
Morsettiere R, S, T, N	5 Nm
Barre di terra PE	10 Nm

3. Verificare il corretto posizionamento della membrana passacavi e che il cavo non rimanga teso.

9. Primo collegamento alla rete elettrica

In questo capitolo si spiega la procedura per il primo collegamento del dispositivo alla rete.

Prima di cominciare controllare il dispositivo.

9.1. Revisione del dispositivo

Prima della messa in funzione, controllare che l'impianto sia in corretto stato.

Ogni impianto è diverso, a seconda delle sue caratteristiche, del paese in cui è situato o di altre condizioni particolari applicabili. In ogni caso, prima di procedere con la messa in servizio, è necessario verificare che l'impianto sia conforme alle leggi e alle direttive applicabili, e che sia terminata almeno la parte che deve essere messa in servizio.

9.1.1. Ispezione

Prima del primo collegamento del caricatore alla rete occorre realizzare una revisione generale del dispositivo, che consiste principalmente in:

Controllo del cablaggio

- Verificare che i cavi siano correttamente fissati ai relativi connettori.
- Verificare che i cavi siano in buono stato e che, nell'area in cui si trovano, non vi siano elementi che li possano danneggiare, come fonti di calore intenso, oggetti taglienti che possano mozzarli o assetti che possano comportare un rischio di impatto o strattoni.

Controllo fissaggio del dispositivo

Verificare che il dispositivo sia fissato correttamente e che non vi sia pericolo di caduta.

9.1.2. Chiusura ermetica del dispositivo

Nelle attività di installazione accertarsi che le operazioni per la connessione del dispositivo non ne abbiano alterato il grado di tenuta.

Controllare che i connettori siano correttamente regolati e che i passacavi siano chiusi in modo adeguato.

10. Configurazione

Per effettuare la prima configurazione del dispositivo è necessario stabilire un collegamento locale. Una volta effettuata la prima configurazione è possibile stabilire la connessione in remoto. Di seguito si descrivono le procedure per entrambe le opzioni.

La configurazione avverrà tramite l'applicazione INGEREV WEB Manager.

10.1. Connessione locale

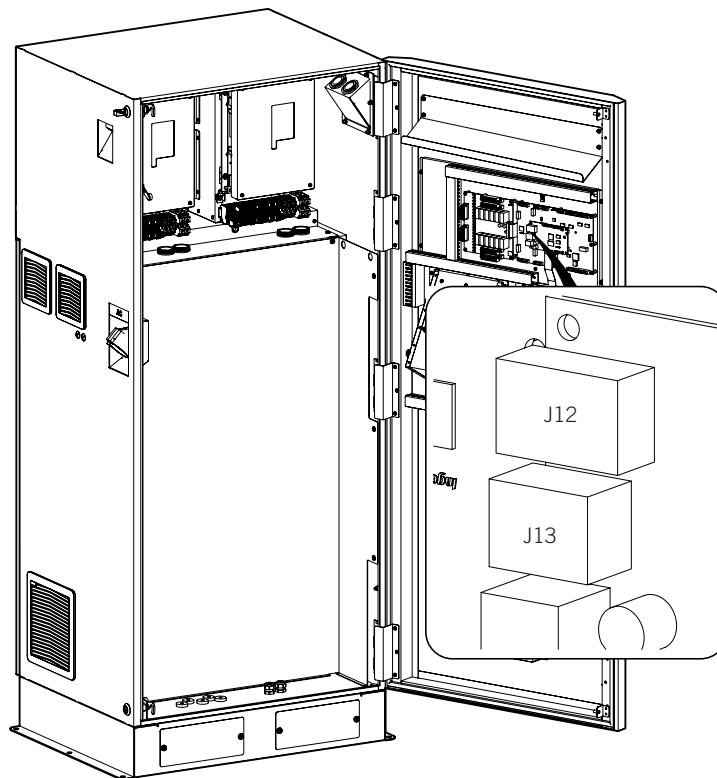
Per stabilire una connessione locale è necessario che caricatore e PC siano collegati alla medesima rete di comunicazione.

La connessione locale può avvenire tramite Ethernet o Wi-Fi.

10.1.1. Connessione locale tramite Ethernet

Per eseguire il collegamento, procedere come indicato di seguito:

1. Collegare il PC al dispositivo tramite uno dei connettori Ethernet disponibili (J12 o J13).



2. Sul portatile aprire il browser e accedere a <http://numSerie:8080>, dove *numSerie* corrisponde al numero di serie del dispositivo (ad esempio, <http://6H0576543210:8080>). Il numero di serie identifica il dispositivo in maniera univoca ed è indicato anche sulla targhetta che riporta le caratteristiche del dispositivo stesso.
3. Inserire utente e password. Utente e password sono indicati sulla targhetta verde fornita unitamente al dispositivo.
4. Seguire le istruzioni dell'INGEREV WEB Manager.

⚠ ATTENZIONE

Alcuni sistemi operativi possono, per la loro stessa configurazione, rifiutare l'URL summenzionata. In tali casi è necessario procedere come segue:

1. Collegare il PC portatile tramite un cavo Ethernet al connettore J12 del dispositivo. Il connettore J13 non consente questa modalità di accesso.
2. Accedere tramite un browser a <http://192.168.1.33:8080>.
3. Seguire i passaggi indicati nel browser per effettuare la procedura di configurazione.

10.1.2. Connessione locale tramite Wi-Fi

Il dispositivo viene configurato di default in modalità *Access Point*. Ciò significa che genera una rete Wi-Fi che consente connessioni di dispositivi quali PC portatili, tablet o smartphone.

Per eseguire il collegamento, procedere come indicato di seguito:

1. Collegare il dispositivo alla rete generata dal caricatore. Il nome della rete corrisponde al numero di serie del dispositivo.
2. Sul dispositivo aprire il browser e accedere a <http://192.168.2.1:8080>.
3. Inserire utente e password. Utente e password sono indicati sulla targhetta verde fornita unitamente al dispositivo.
4. Seguire le istruzioni dell'INGEREV WEB Manager.

10.2. Connessione remota

L'obiettivo della comunicazione remota consiste nel disporre di un accesso al caricatore quando quest'ultimo e il PC sono connessi a internet da reti di comunicazione diverse. Il caricatore deve essere collegato a Internet tramite Wi-Fi, Ethernet o 3G.

Per eseguire il collegamento, procedere come indicato di seguito:

1. Con il caricatore e il PC connessi a internet, aprire il browser e accedere a <http://www.ingerev.com/numSerie>, dove *numSerie* corrisponde al numero di serie del dispositivo (ad esempio, <http://www.ingerev.com/6H0576543210>). Il numero di serie identifica il dispositivo in maniera univoca ed è indicato anche sulla targhetta che riporta le caratteristiche del dispositivo stesso.
2. Inserire utente e password. Utente e password sono indicati sulla targhetta verde fornita unitamente al dispositivo.

11. Utilizzo del dispositivo

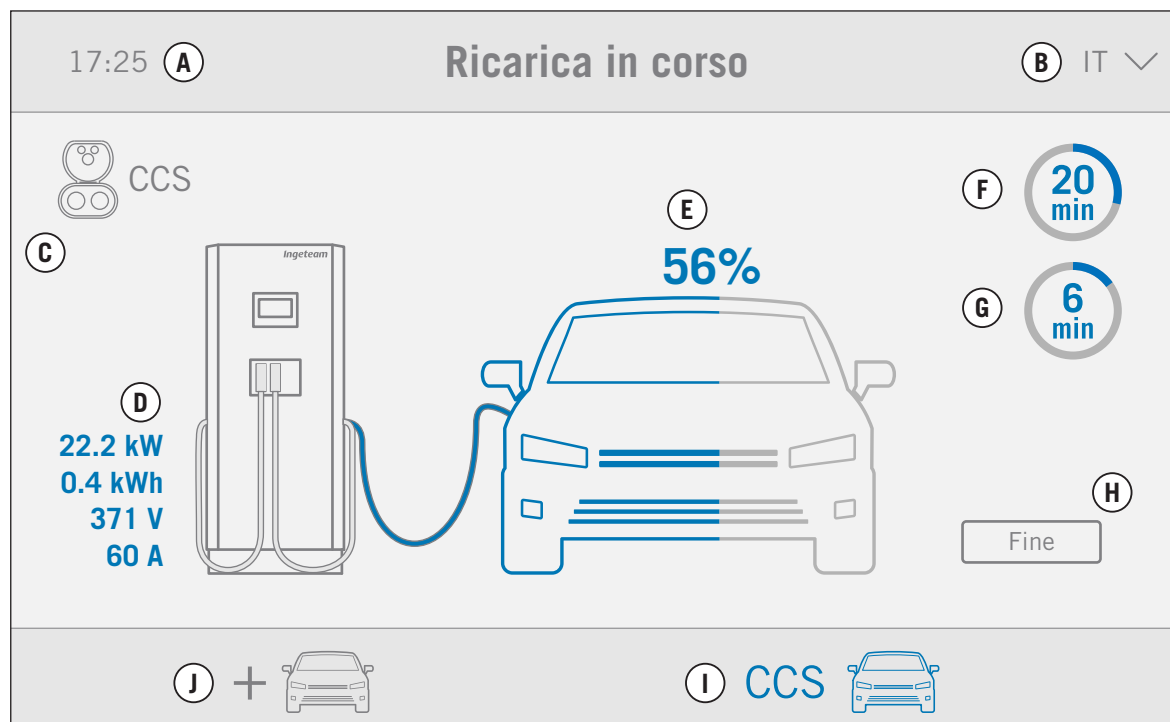
La gestione del funzionamento del caricatore avviene tramite il display.

Con le stazioni di ricarica INGEREV RAPID 50 Trio è possibile caricare contemporaneamente due veicoli. Tramite il display è possibile differenziare le due sessioni di carica in maniera autonoma.

Per gestire il processo di carica, seguire le indicazioni che compaiono sul display.

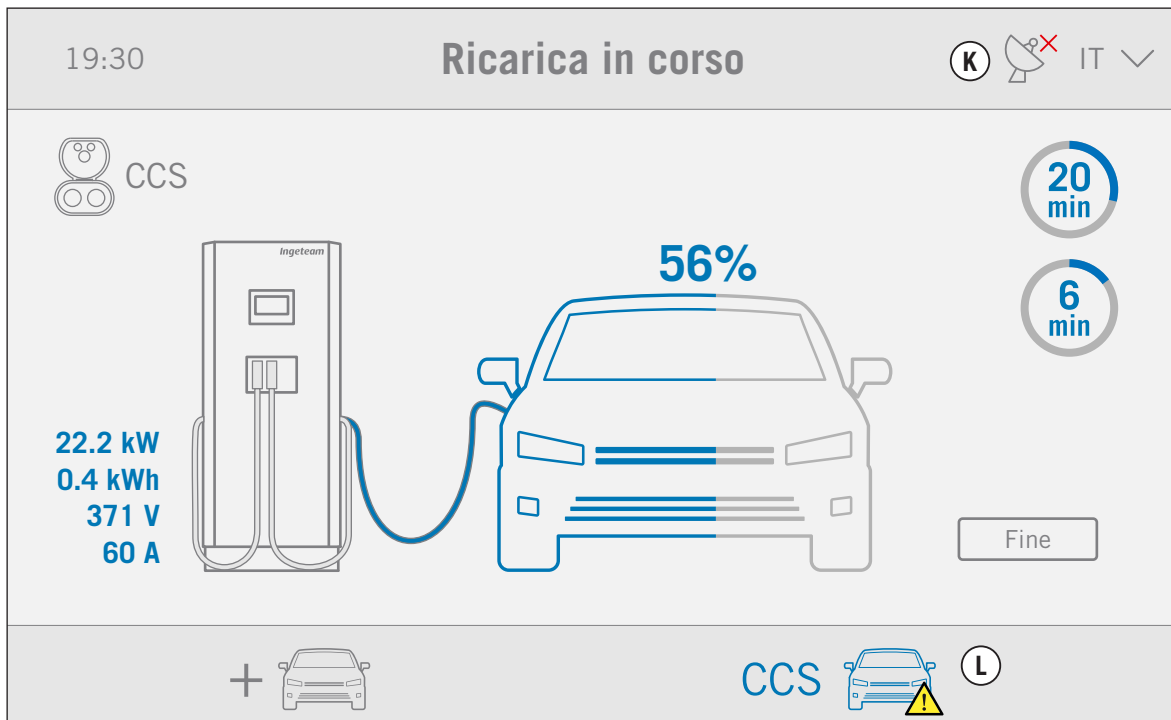
11.1. Schermata di carica

Nella schermata di carica compaiono le informazioni seguenti:



- | | |
|--|---|
| A. Ora | G. Tempo restante al termine della ricarica |
| B. Selettore lingua | H. Tasto per concludere la ricarica |
| C. Presa selezionata | I. Selettore della sessione di ricarica |
| D. Potenza, energia consumata, tensione e corrente di ricarica | J. Tasto per aggiungere una sessione di ricarica, qualora possibile. Nel caso in cui ci siano due sessioni di ricarica aperte, da questa barra inferiore sarà possibile selezionare una delle due |
| E. Stato di carica | |
| F. Tempo trascorso dall'inizio della ricarica | |

Potranno comparire i seguenti avvisi:



K. Anomalia di comunicazione. Le stazione ha perso la connessione a internet o con il gestore centrale

L. Si è verificata un'eccezione nella sessione di ricarica indicata. In questo caso si indicherà un evento nella sessione di ricarica numero 2

11.2. Come eseguire una ricarica

Di seguito si descrive come procedere per la ricarica.

1. Se si sta effettuando la ricarica nella stazione, il primo passo da fare è aggiungere un veicolo dal display (altrimenti questo passo non è necessario). La stazione di ricarica offre la possibilità di ricariche simultanee: in AC e CCS o AC e CHAdeMO. Non è possibile ricaricare contemporaneamente CCS e CHAdeMO. Cliccare sull'icona seguente:



2. Selezionare il tipo di presa desiderata in base alle caratteristiche del dispositivo. Sullo schermo saranno visualizzate le prese disponibili.
3. A questo punto all'utente sarà richiesto di identificarsi mediante la scheda. Avvicinare la scheda al lettore che si trova nella parte inferiore del display.
4. Compaiono i dati delle tariffe applicabili.
5. Collegare il veicolo alla stazione di ricarica.
6. Viene avviato il processo di ricarica.
7. Al termine della ricarica, premere *Finalizar* e seguire la procedura guidata indicata sul display.

12. Risoluzione dei problemi

ATTENZIONE

La risoluzione dei problemi deve essere eseguita da personale qualificato rispettando le indicazioni generali sulla sicurezza riportate nel presente manuale.

12.1. Allarmi

Allarme	Descrizione	Soluzione
Pulsante a fungo d'emergenza	Il pulsante di emergenza a fungo è premuto	Sbloccare il pulsante a fungo d'emergenza
Guasto Blocco Connettore	Guasto nel blocco del connettore	Scollegare il connettore e verificarne in funzionamento e l'integrità. Se il problema persiste, contattare Ingeteam
Errore di Comunicazione EV	Errore di comunicazione stazione di ricarica-veicolo elettrico	Riavviare il processo di ricarica. Se il problema persiste, contattare Ingeteam
Guasto isolamento	Impedenza di isolamento al di sotto dei limiti consentiti	Scollegare il connettore dal veicolo. Verificare che il guasto isolamento sia scomparso. In caso affermativo, il guasto si verifica nel veicolo, che dovrà essere controllato presso la propria officina di fiducia. Se il guasto isolamento persiste, contattare Ingeteam
Temperatura fuori dai limiti consentiti	Temperatura della stazione di ricarica fuori dal range operativo	Verificare che i radiatori siano puliti e che i ventilatori funzionino correttamente. Proteggere il dispositivo dall'esposizione diretta alla luce solare. Assicurarsi che la temperatura ambiente rientri nel range della temperatura di funzionamento.
Errore nel lettore RFID	Guasto nel lettore di schede	Avvicinare la scheda al lettore RFID. Se il problema persiste, contattare Ingeteam.
Rete fuori dai limiti consentiti	Tensione o frequenza di rete AC fuori dai limiti definiti	Verificare il corretto cablaggio. Verificare le connessioni. Verificare che la tensione o la frequenza della rete elettrica siano entro i limiti consentiti.
Guasto del dispositivo	Qualche parametro del caricatore non rientra nel range operativo	Se il guasto è temporaneo, l'avviso scomparirà automaticamente. Nel caso in cui persista, annotare il codice e contattare Ingeteam

13. Disconnessione del dispositivo

In questa sezione si descrive la procedura per la disconnessione del dispositivo. Se si desidera operare all'interno del dispositivo, per scollegare la tensione è obbligatorio seguire l'ordine delle operazioni qui riportato.

1. Nel caso in cui sia attivo un processo di ricarica, terminare la sessione di ricarica.
2. Premere il pulsante a fungo d'emergenza.
3. Togliere tensione AC usando uno strumento di disconnessione esterno al dispositivo.
4. Attendere 10 minuti affinché si scarichino le capacità interne esistenti, si raffreddino gli elementi caldi esistenti e si fermino le pale dei ventilatori.
5. Aprire il dispositivo e verificare che l'allacciamento AC sia privo di tensione usando gli appositi dispositivi di protezione individuale.
6. Segnalare la zona di interruzione collocando il cartello "*Attenzione, proibito realizzare manovre...*". Se necessario, delimitare la zona di lavoro.

14. Manutenzione

ATTENZIONE

Le attività di manutenzione consigliate devono essere effettuate con una periodicità minima annuale, eccetto quando diversamente indicato.

14.1. Condizioni di sicurezza

PERICOLO

Per l'esecuzione di tutte le verifiche di manutenzione riportate di seguito, il dispositivo deve trovarsi privo di tensione, e nelle corrispondenti condizioni di sicurezza, comprese quelle specifiche del cliente concernenti questo tipo di interventi.

L'apertura dell'involucro non comporta affatto l'assenza di tensione nel dispositivo, pertanto l'accesso al medesimo può essere effettuato esclusivamente da personale qualificato e nel rispetto delle indicazioni sulla sicurezza riportate in questo documento.

Prima di aprire il dispositivo è necessario disinserire la tensione (vedere il capitolo "13. Disconnessione del dispositivo").

Assicurarsi che il dispositivo si trovi in assenza di tensione prima di effettuare qualsiasi operazione di manutenzione.

Per eseguire le attività di manutenzione sul dispositivo, utilizzare il dispositivo di protezione individuale specificato nella sezione "Dispositivi di protezione individuale (DPI)" del presente documento.

ATTENZIONE

L'insieme delle indicazioni sulla sicurezza riportate di seguito deve essere ritenuto una misura minima di sicurezza.

Ingeteam declina ogni responsabilità per i danni eventualmente causati da un uso inadeguato dei dispositivi. Ogni intervento realizzato su uno qualsiasi dei dispositivi e che comporti una modifica dell'assetto elettrico originale, deve essere previamente autorizzato da Ingeteam. Le proposte devono essere esaminate e approvate da Ingeteam.

INFORMAZIONI

Per conservare il grado di protezione del dispositivo i cavi devono essere guidati al suo interno mediante un tubo protettivo inserito attraverso un raccordo.

14.2. Stato dei tubi flessibili e dei connettori di ricarica

Verificare il corretto stato dei tubi flessibili e dei connettori. Non devono presentare segni di urti o tagli. Verificare il corretto funzionamento dei connettori.

14.3. Stato dell'involucro

È necessario un controllo periodico dello stato degli involucri mediante una verifica dello stato di chiusure e porte, nonché del fissaggio dei dispositivi a terra. È necessario, inoltre, verificare che l'involucro sia in corretto stato e non presenti segni di urti o graffi, i quali potrebbero danneggiarlo e comprometterne il grado di protezione. Nel caso in cui vengano rilevate anomalie di questo tipo, procedere a riparare o sostituire le parti interessate.

14.4. Stato dei cavi e dei terminali

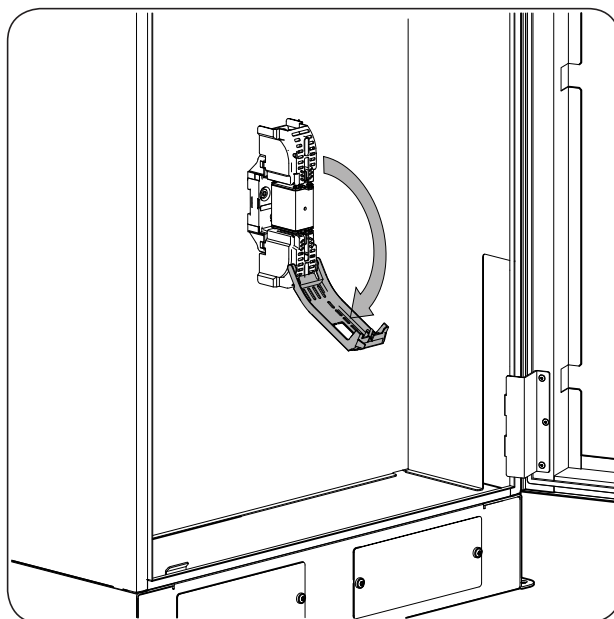
È necessario eseguire un controllo annuale dello stato dei cavi e dei terminali.

- Controllare la corretta conduzione dei cavi, assicurandosi che non possano entrare in contatto con parti attive.
- Controllare che non vi siano anomalie negli isolamenti e nei punti caldi, controllando il colore dell'isolamento e dei terminali.
- Controllare che i collegamenti siano serrati con la coppia di serraggio adeguata.

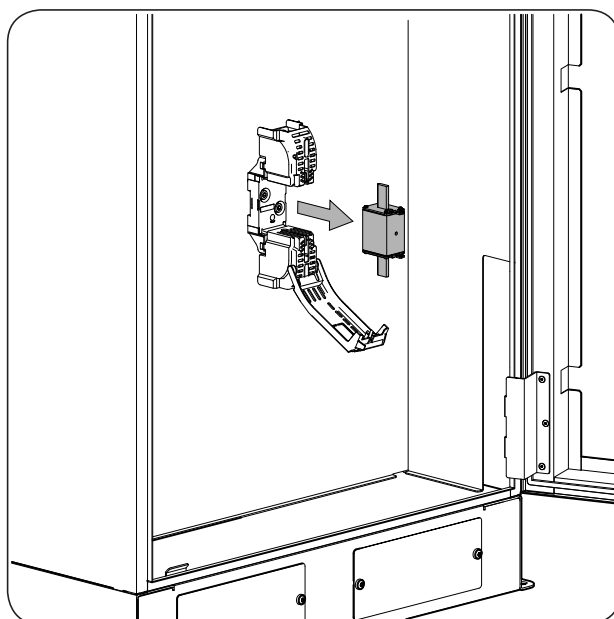
14.5. Sostituzione del fusibile

Nel caso in cui si renda necessario sostituire il fusibile, seguire le seguenti indicazioni:

1. Con la porta del caricatore aperta, accedere all'area del fusibile e aprire il portafusibili.



2. Estrarre il fusibile.



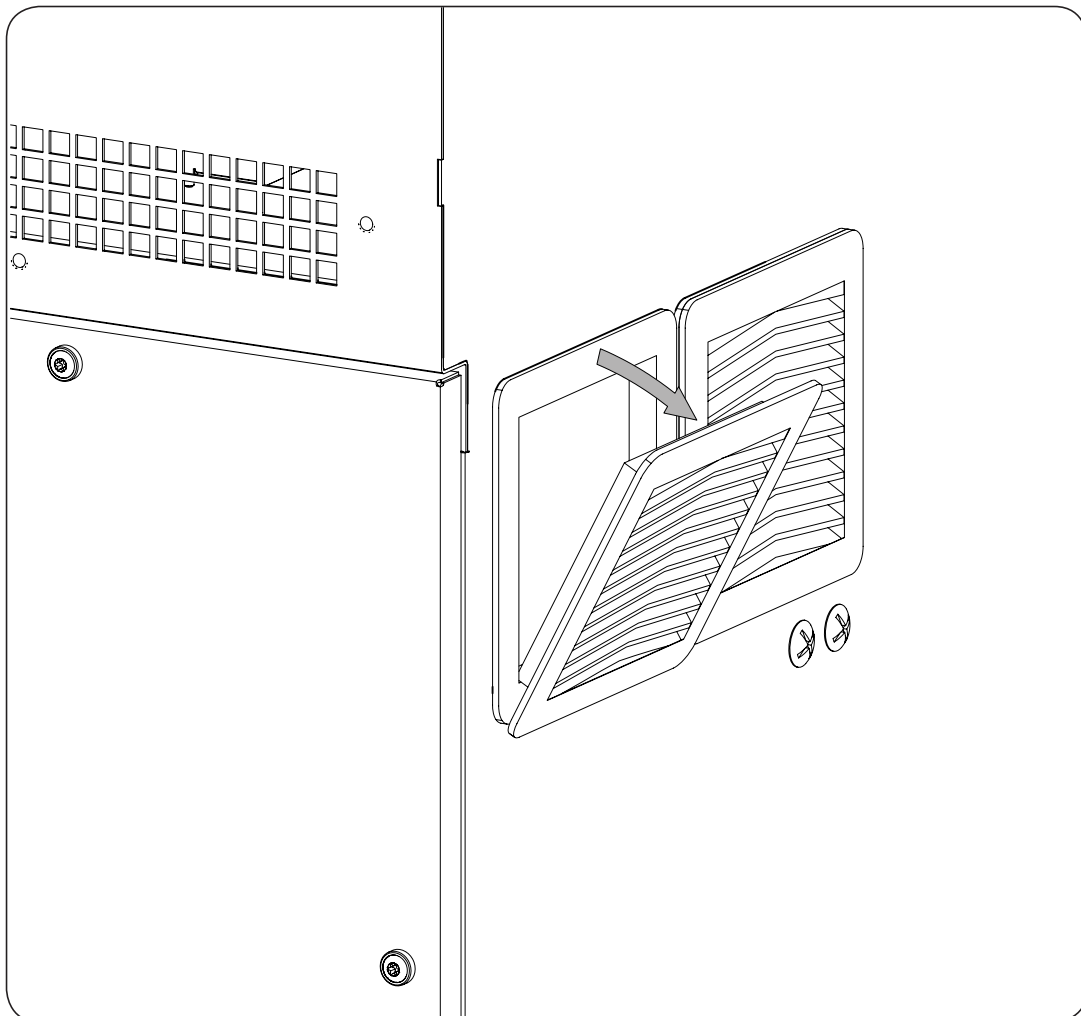
3. Installare il nuovo fusibile.
4. Chiudere il portafusibili.

PERICOLO

Se il fusibile viene inserito nel portafusibili in modo non corretto, si potrebbe danneggiare il dispositivo.

14.6. Pulizia e cambio del filtro

Rimuovere e pulire i filtri dalle griglie di ventilazione del dispositivo. Se danneggiati, sostituirli con filtri nuovi equivalenti alla classe G4 IP55.



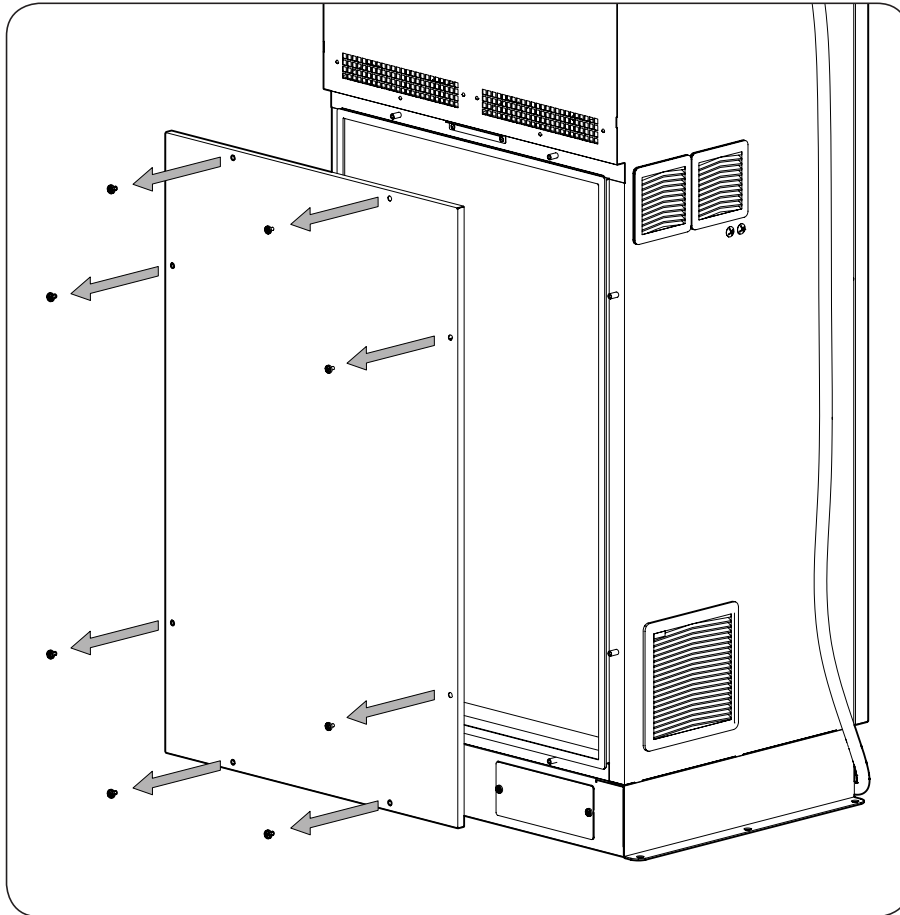
14.7. Sostituzione dei ventilatori

Questo caricatore è dotato di quattro ventilatori sui lati, che ne garantiscono il corretto raffreddamento.

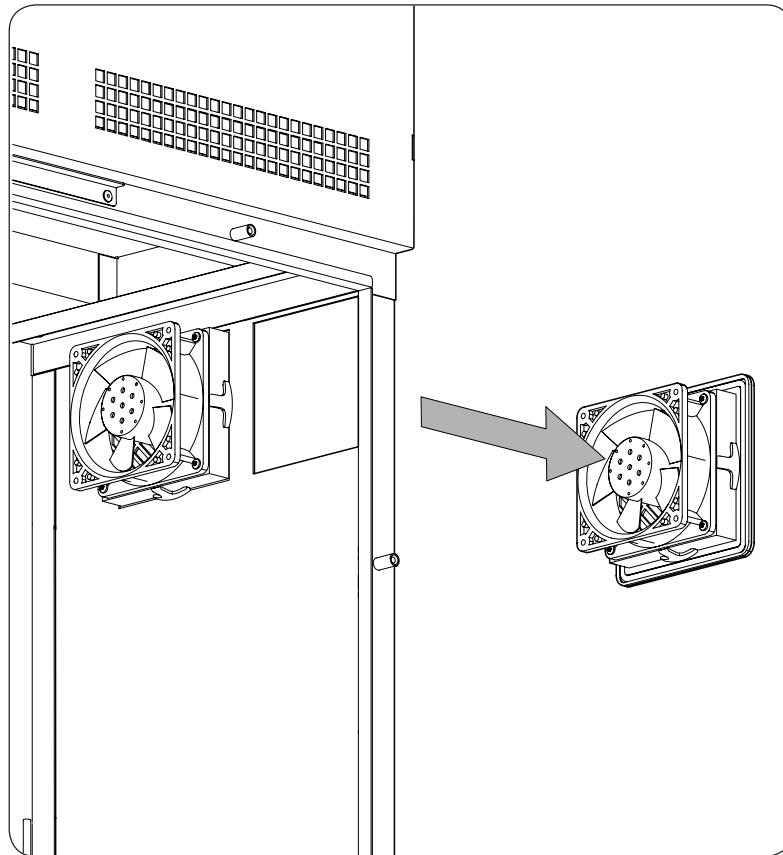
La loro durata stimata varia in base soprattutto alla temperatura ambiente. In condizioni di funzionamento medie si stima che essi possano avere una vita utile di circa 10 anni.

Trascorso tale periodo si consiglia di sostituirli. Per farlo, seguire le indicazioni seguenti:

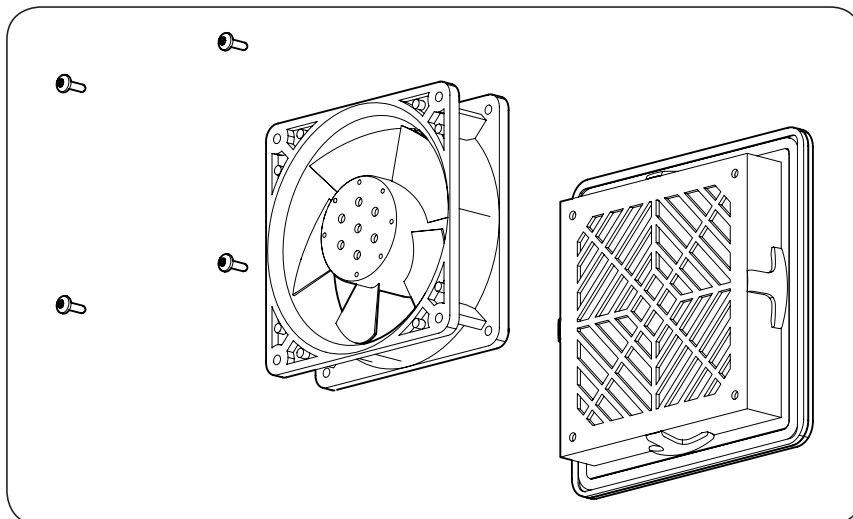
1. Rimuovere il coperchio posteriore della stazione di ricarica,



2. Staccare l'insieme di ventilatore e portafiltri dall'interno della stazione. Fare attenzione ai cavi del ventilatore.



3. Rimuovere le viti che fissano il ventilatore.



4. Staccare il cablaggio del ventilatore.
5. Montare il ventilatore nuovo seguendo l'ordine inverso a quello di smontaggio.

15. Smaltimento dei rifiuti

Questi dispositivi utilizzano componenti nocivi per l'ambiente (schede elettriche, batterie o pile, ecc.).

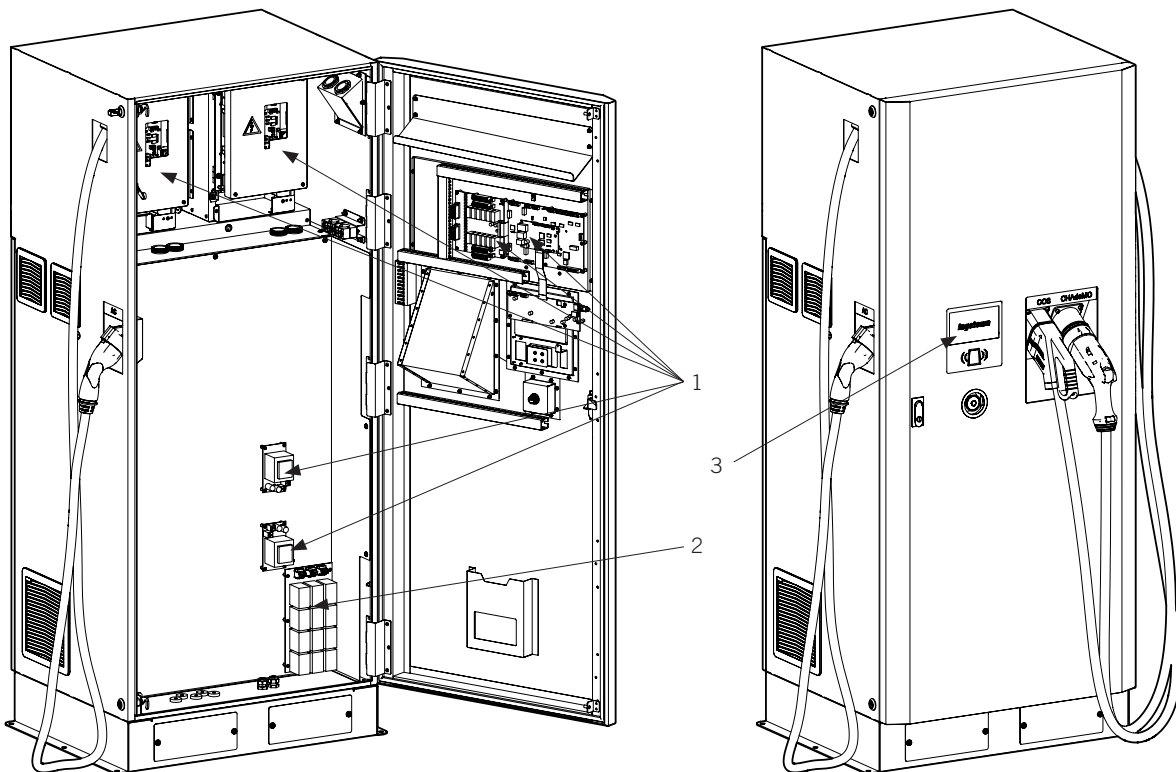


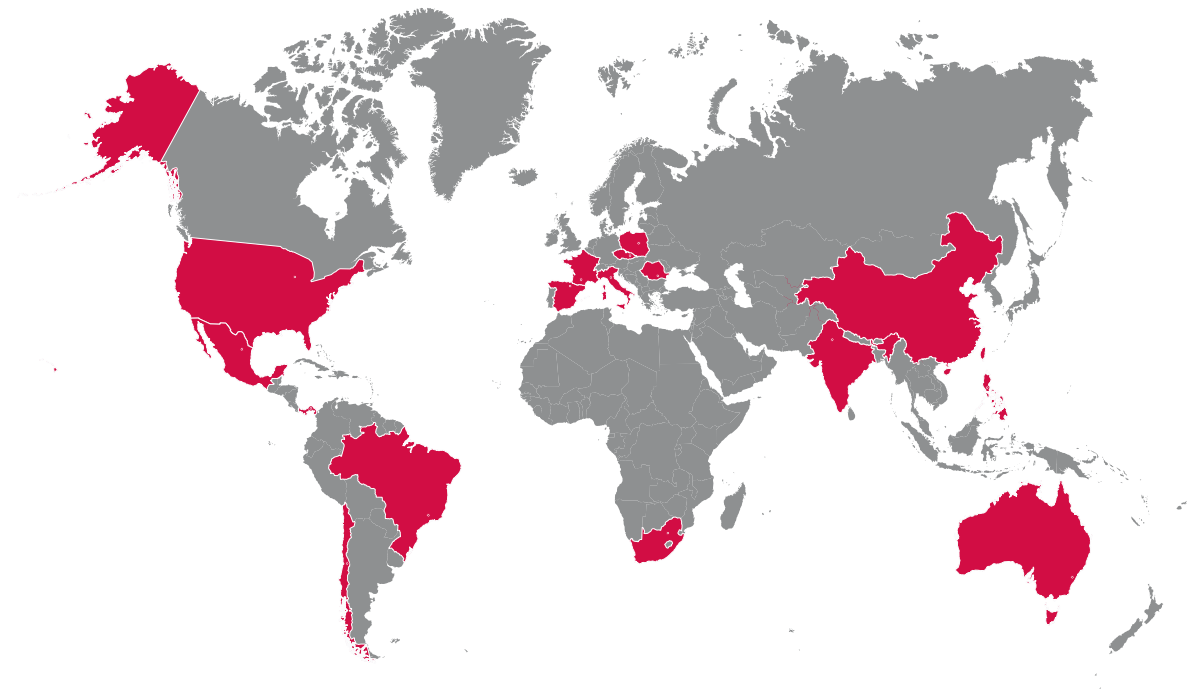
Al termine della sua vita utile, il dispositivo deve essere consegnato a un centro di raccolta autorizzato per il corretto smaltimento dei rifiuti pericolosi.

Ingeteam seguendo una politica rispettosa dell'ambiente, attraverso la presente sezione, informa il centro di raccolta e smaltimento autorizzato sull'ubicazione dei componenti da decontaminare.

Gli elementi presenti all'interno del dispositivo che devono essere trattati in modo specifico sono:

1. Schede dei circuiti stampati.
2. Condensatori elettrolitici o che contengono PCB.
3. Display.





Europe

Ingeteam Power Technology, S.A.

Energy

Avda. Ciudad de la Innovación, 13
31621 SARRIGUREN (Navarra) - Spain
Tel: +34 948 28 80 00
Fax: +34 948 28 80 01
email: solar.energy@ingeteam.com

Ingeteam SAS

Le Naurouze B - 140 Rue Carmin
31676 Labège - France
Tel: +33 (0)5 61 25 00 00
Fax: +33 (0)5 61 25 00 11
email: france@ingeteam.com

Ingeteam S.r.l.

Via Emilia Ponente, 232
48014 CASTEL BOLOGNESE (RA) - Italy
Tel: +39 0546 651 490
Fax: +39 054 665 5391
email: italia.energy@ingeteam.com

Ingeteam, a.s.

Technologická 371/1
70800 OSTRAVA - PUSTKOVEC
Czech Republic
Tel: +420 59 732 6800
Fax: +420 59 732 6899
email: czech@ingeteam.com

Ingeteam Sp. z o.o.

Ul. Koszykowa 60/62 m 39
00-673 Warszawa - Poland
Tel: +48 22 821 9930
Fax: +48 22 821 9931
email: polska@ingeteam.com

Ingeteam Service S.R.L.

Bucuresti, Sector 2, Bulevardul Dimitrie
Pompeiu Nr 5-7
Cladirea Hermes Business Campus 1, Birou
236, Etaj 2
Romania
Tel.: +40 728 993 202

America

Ingeteam INC.

3550 W. Canal St.
Milwaukee, WI 53208 - USA
Tel: +1 (414) 934 4100
Fax: +1 (414) 342 0736
email: solar.us@ingeteam.com

Ingeteam, S.A. de C.V.

Ave. Revolución, n° 643, Local 9
Colonia Jardín Español - MONTERREY
64820 - NUEVO LEÓN - México
Tel: +52 81 8311 4858
Fax: +52 81 8311 4859
email: northamerica@ingeteam.com

Ingeteam Ltda.

RuaEstácio de Sá, 560
Jd. Santa Genebra
13080-010 Campinas/SP - Brazil
Tel: +55 19 3037 3773
email: brazil@ingeteam.com

Ingeteam SpA

Los militares 5890, Torre A, oficina 401
7560742 - Las Condes
Santiago de Chile - Chile
Tel: +56 2 29574531
email: chile@ingeteam.com

Ingeteam Panama S.A.

Av. Manuel Espinosa Batista, Ed. Torre
Internacional
Business Center, Apto./Local 407 Urb.C45 Bella
Vista
Bella Vista - Panama
Tel.: +50 761 329 467

Africa

Ingeteam Pty Ltd.

Unit 2 Alphen Square South
16th Road, Randjiespark,
Midrand 1682 - South Africa
Tel: +2711 314 3190
Fax: +2711 314 2420
email: southafrica@ingeteam.com

Asia

Ingeteam Shanghai, Co. Ltd.

Shanghai Trade Square, 1105
188 Si Ping Road
200086 SHANGHAI - P.R. China
Tel: +86 21 65 07 76 36
Fax: +86 21 65 07 76 38
email: shanghai@ingeteam.com

Ingeteam Power Technology India Pvt. Ltd.

2nd floor, 431
Udyog Vihar, Phase III
122016 Gurgaon (Haryana) - India
Tel: +91 124 420 6491-5
Fax: +91 124 420 6493
email: india@ingeteam.com

Ingeteam Philippines Inc.

Office 2, Unit 330, Milelong Bldg.
Amorsolo corner Rufin St.
1230 Makati
Gran Manila - Philippines
Tel.: +63 0917 677 6039

Australia

Ingeteam Australia Pty Ltd.

iAccelerate Centre, Building 239
Innovation Campus, Squires Way
NORTH WOLLONGONG, NSW 2500 - Australia
Tel.: +61 499 988 022
email: australia@ingeteam.com

ABT2012IQM01_
11/2019

Ingeteam