

01.2020

Innovative
solutions
for low voltage
power distribution

Al-cu[®]
SYSTEM



AL-CU System produces and distributes innovative systems for the electrical distribution.

With over 30 years of experience in the sector, Al-cu system offers innovative solutions with quality and prompt delivery times.

All the products we offer are the result of thirty year's experience in the sector which allowed us to develop and design new solutions meeting the needs voiced by our customers.



Research and development

All Al-Cu System products have been specifically conceived and designed by a skilled team of engineers constantly engaged in the research and development of new solutions that are subsequently tested and verified in our own laboratories .

Innovation

Innovation is what sets us apart from other competitors. We offer innovative products as well as a wide choice of accessories designed to make electrical panels wiring quicker and more cost-effective.

Service

We take care of a comprehensive range of products conceived to meet any wiring requirement; our fully-stocked 6000 m² warehouse allows us to provide our customers with quality and prompt, highly competitive delivery times.

Certifications

All AL-CU System products have been tested and certified by CESI Institute/IPH Berlin.



Index

SMART-ENERGY BASIC



ISO BASIC BUSBAR HOLDERS FOR SMART-ENERGY BASIC PROFILES **PAG 12**



BACK- BASIC BUSBAR HOLDERS FOR SMART-ENERGY BASIC PROFILES **PAG 15**



SMART-ENERGY BASIC PROFILES UP TO 1250A **PAG 22**



JOINTS FOR SMART-ENERGY BASIC BUSBAR SYSTEMS **PAG 26**

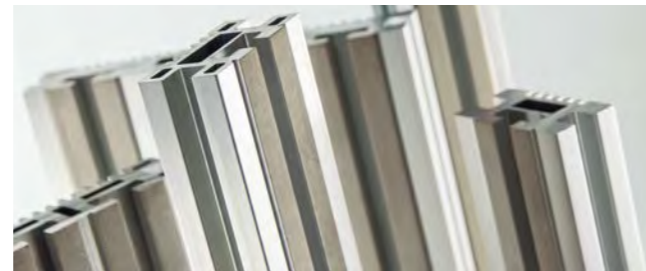
SMART-ENERGY PLUS / ALUBAR



LINEAR BUSBAR HOLDERS FOR SMART-ENERGY PLUS PROFILES **PAG 32**



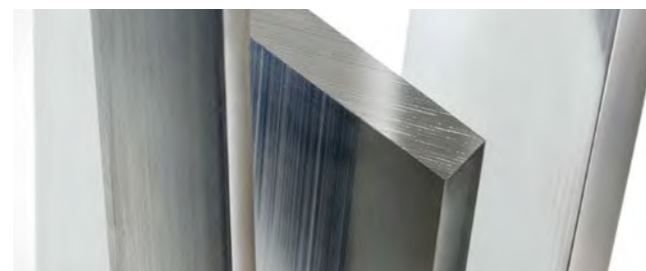
BACK- PLUS BUSBAR HOLDERS FOR SMART-ENERGY PLUS PROFILES **PAG 44**



SMART-ENERGY PLUS PROFILES UP TO 6300A **PAG 51**

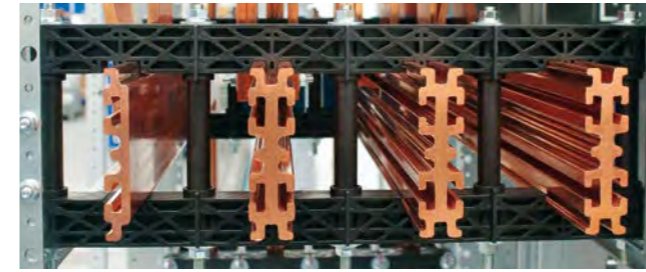


JOINTS FOR SMART-ENERGY PLUS BUSBAR SYSTEMS **PAG 58**



ALUBAR TIN-PLATED ALUMINIUM BARS **PAG 62**

SMART-ENERGY COPPER



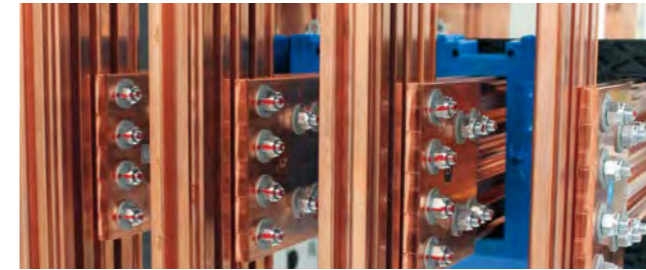
LINEAR BUSBAR HOLDERS FOR SMART-ENERGY COPPER PROFILES **PAG 66**



BACK-COPPER BUSBAR HOLDERS FOR SMART-ENERGY COPPER PROFILES **PAG 77**

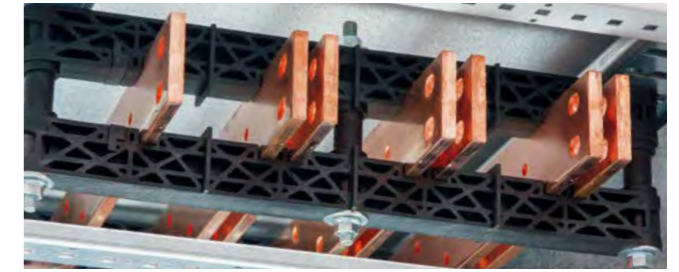


SMART-ENERGY COPPER PROFILES UP TO 6300A **PAG 84**



JOINTS FOR SMART-ENERGY COPPER PROFILES **PAG 93**

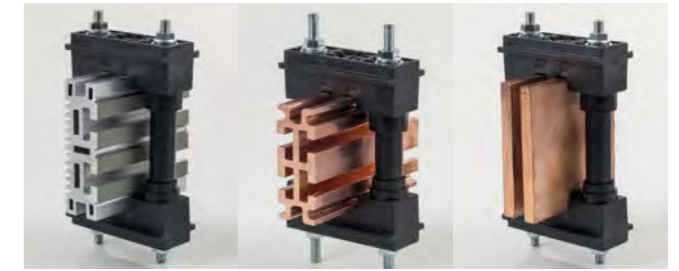
LINEAR BUSBAR HOLDERS



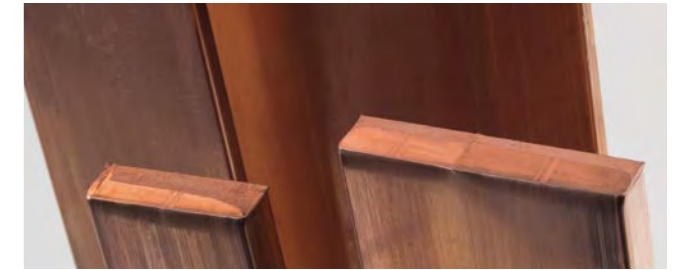
LINEAR BUSBAR HOLDERS FOR FLAT COPPER BARS **PAG 103**



BACK BUSBAR HOLDERS FOR FLAT COPPER BARS **PAG 135**



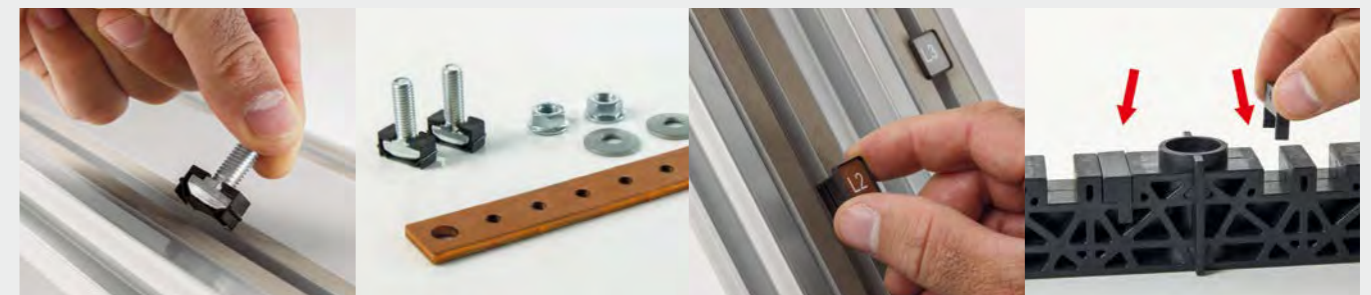
MODULAR BUSBAR HOLDERS FOR FLAT COPPER BARS AND SMART ENERGY PLUS/COPPER PROFILES **PAG 146**



FLAT COPPER BARS **PAG 148**

Accessories Smart Energy Basic / Plus / Copper

HAMMER-HEAD SCREWS, BAR FOR MODULAR CIRCUIT BREAKERS CONNECTION, PHASES AND NEUTRAL MARKERS FOR SMART-ENERGY PROFILES, PHASES FILLER MODULES **PAG 97**



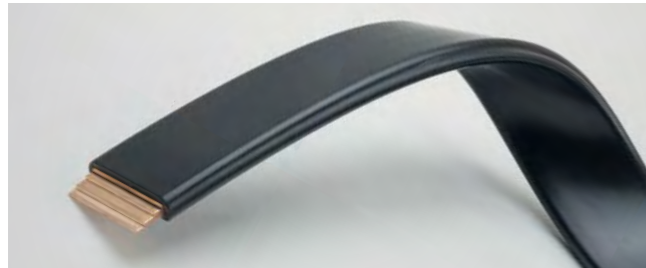
Indice

CONDUCTORS



FLAT INSULATED BRAIDED CONDUCTORS
FOR CONNECTIONS UP TO 630A

PAG 152



INSULATED FLEXIBLE
BARS UP TO 630A

PAG 158

INSULATED BRACKETS FOR CIRCUIT BREAKERS TERMINALS EXTENSION AND CONNECTION



STIFFENERS

PAG 162



BRACKETS FOR
CIRCUIT BREAKER TERMINALS EXTENSION

PAG 165



HEXAGONAL INSULATORS

PAG 166

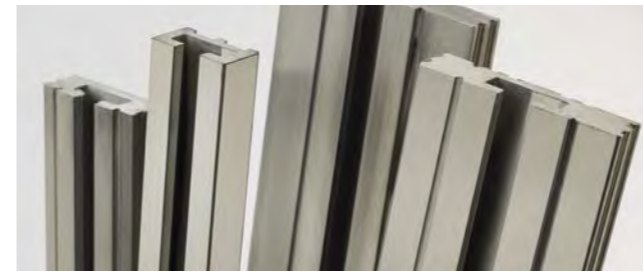
VERTICAL/HORIZONTAL BUSBAR SYSTEMS UP TO 630A



VERTICAL/HORIZONTAL BUSBAR SYSTEMS
UP TO 630A

PAG 170

EARTHING SYSTEM: PROFILES AND ACCESSORIES



SMART EARTH
ALUMINIUM BARS

PAG 178



CONNECTIONS AND BRACKETS
FOR SMART EARTH SYSTEM

PAG 179



PREPUNCHED
COPPER EARTH BAR

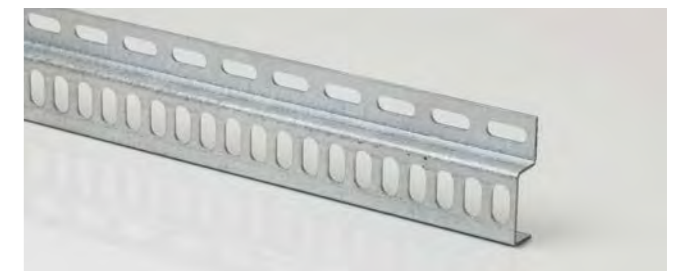
PAG 181

PROFILES AND ACCESSORIES FOR TERMINAL BLOCK AND CABLES MANAGEMENT



PROFILES AND ACCESSORIES
FOR TERMINAL BLOCK AND EARTH BAR

PAG 184



SLOTTED BRACKET FOR CABLES

PAG 185



UNIVERSAL SHEET METAL PROFILES

PAG 188



BRACKETS AND ACCESSORIES

PAG 189



PARTITIONS

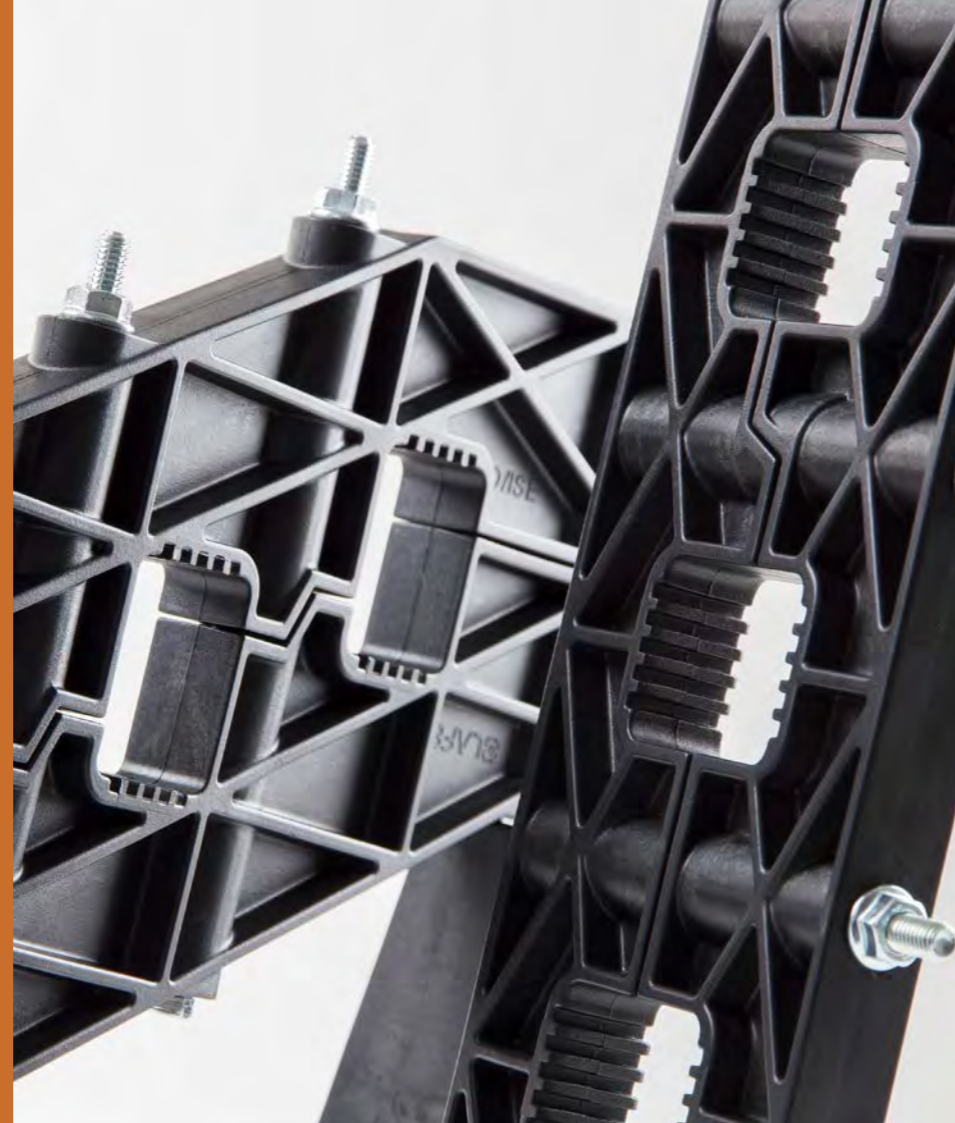
PAG 192

SMART ENERGY-BASIC
ALUMINIUM
UNIVERSAL
BUSBAR SYSTEM
UP TO 1250A



Alcu[®]
SYSTEM

ISO BASIC BUSBAR HOLDERS



Inclined or linear polyamide busbar holders for Smart-Energy Basic profiles up to 1250A. The compact, space-saving design allows Iso Basic busbar holders to be installed on the back, on the side or at the top of the electrical cabinet. The inclined busbar holder offers maximum accessibility to the cabinet making wiring quick and simple.

ADVANTAGES

- Maximum compactness
- High speed of assembly
- Versatile design for a wide range of applications

TECHNICAL SPECIFICATIONS

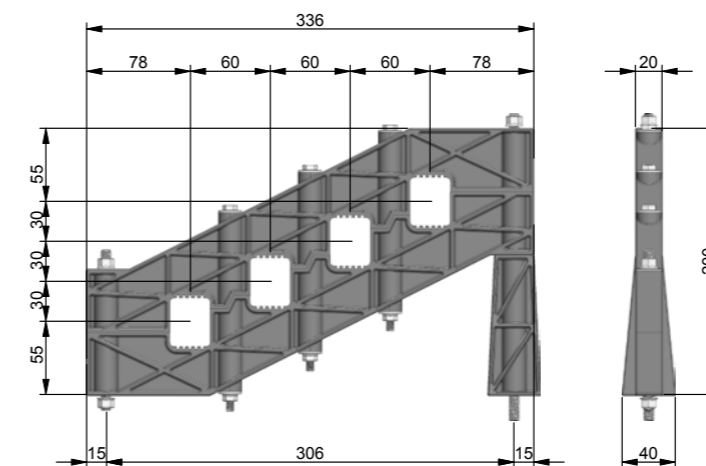
- Glass-fiber reinforced polyamide 6/6
- Compliance with UL 94-V0 self-extinguishing requirements
- Continuous operating temperature: 113 °C
- Glow wire test: 965 °C
- Colour: Black

ISO BASIC BUSBAR HOLDERS FOR SMART-ENERGY BASIC PROFILES

Inclined polyamide busbar holders suitable for applications up to 1250A



PRODUCT CODE	PACKAGE CONTENT	WEIGHT (KG)	In (A)
IBG/C	1 kit	0,9	630/800/1250



MAXIMUM MOUNTING DISTANCE BETWEEN BUSBAR HOLDERS			
Rating (A)	630A	800A	1250A
Bar type	BA6	BA8	BA12
Max. mounting distance	l _{cc} - (kA)		l _{cc} - (kA)
850mm	25 kA	25 kA	25 kA
600mm	35 kA	35 kA	35kA
450mm		40 kA	40 kA
350mm		50 kA	50 kA
300mm			60 kA
250mm			70 kA



CERTIFICATIONS

B3012744	Verification of the short-circuit withstand of the main circuits	Inom=630A lcc=35 kA
B3013956	Verification of the short-circuit withstand of the main circuits	Inom=1250A lcc=70 kA

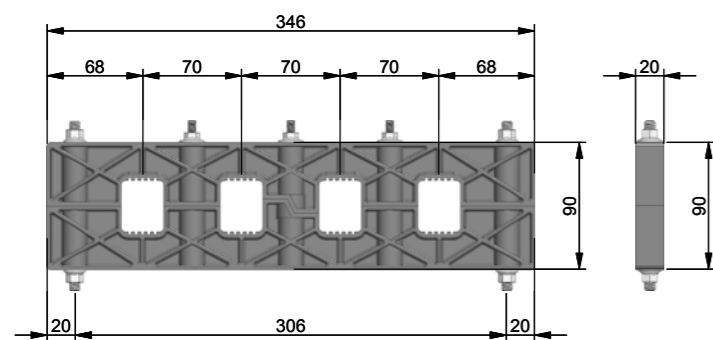
ISO BASIC LINEAR BUSBAR HOLDERS FOR SMART-ENERGY BASIC PROFILES

Linear polyamide busbar holders suitable for applications up to 1250A



KIT

PRODUCT CODE	PACKAGE CONTENT	WEIGHT (KG)	In (A)
IBL/C	1 kit	0,7	630/800/1250



MAXIMUM MOUNTING DISTANCE BETWEEN BUSBAR HOLDERS			
Rating (A)	630A	800A	1250A
Bar type	BA6	BA8	BA12
Max. mounting distance	lcc - (kA)	lcc - (kA)	lcc - (kA)
850mm	25 kA	25 kA	25 kA
600mm	35 kA	35 kA	35kA
450mm		40 kA	40 kA
350mm		50 kA	50 kA
300mm			60 kA
250mm			70 kA



BACK BASIC BUSBAR HOLDERS

Polyamide busbar holders for Smart-Energy Basic profiles up to 1250A. The space-saving design allows Back -Basic busbar holders to be installed on the back of the electrical cabinet thus offering the maximum accessibility to the cabinet to work comfortably even in very tight spaces.

ADVANTAGES

- Maximum compactness
- High speed of assembly

TECHNICAL SPECIFICATIONS

- Glass-fiber reinforced polyamide 6/6
- Compliance with UL 94-V0 self-extinguishing requirements
- Continuous operating temperature: 113 °C
- Glow wire test: 965 °C
- Colour: Black

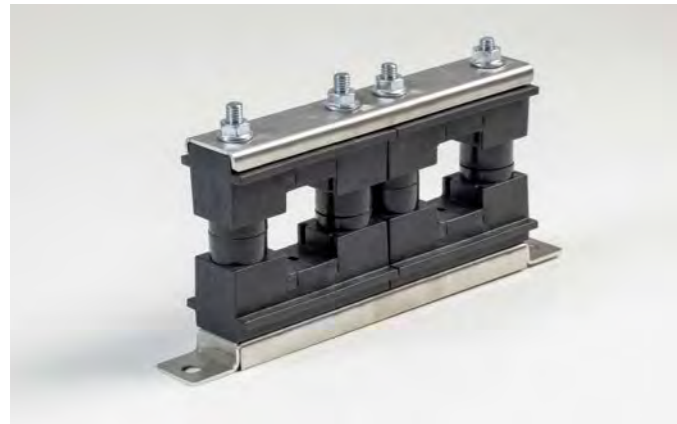


CERTIFICATIONS

B7001848	Verification of the short-circuit withstand of the main circuits	Inom=3200A lcc= 105 kA
-----------------	--	---------------------------

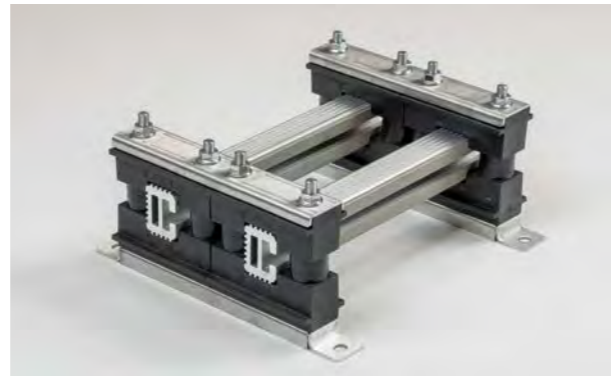
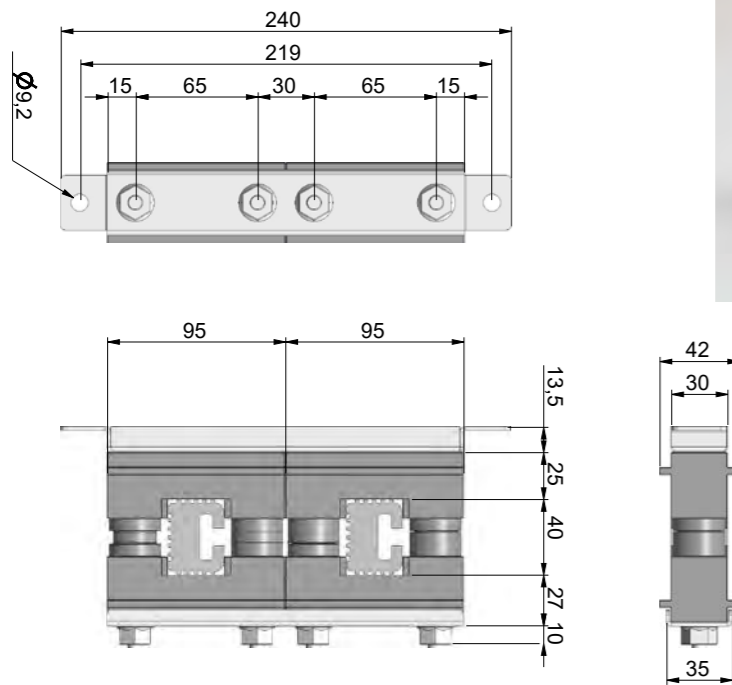
ONE-POLE BACK BASIC BUSBAR HOLDERS

Single phase Back Basic busbar holders for Smart-Energy Basic profiles up to 1250A
(suitable for profiles arranged side by side)



PRODUCT CODE	PACKAGE CONTENT	WEIGHT (KG)	In (A)
IBB2A/C	1 kit	2,3	630/800/1250

PROFILES ARRANGED SIDE BY SIDE



MAXIMUM MOUNTING DISTANCE BETWEEN BUSBAR HOLDERS				
Rating (A)	630A	800A	1000A	1250A
Bar type	BA6	BA8	BA10	BA12
Max. mounting distance	lcc - (kA)			
850mm	25 kA	25 kA	25 kA	25 kA
600mm	35 kA	35 kA	35 kA	35kA
450mm		40 kA	40 kA	40 kA
350mm		50 kA	50 kA	50 kA

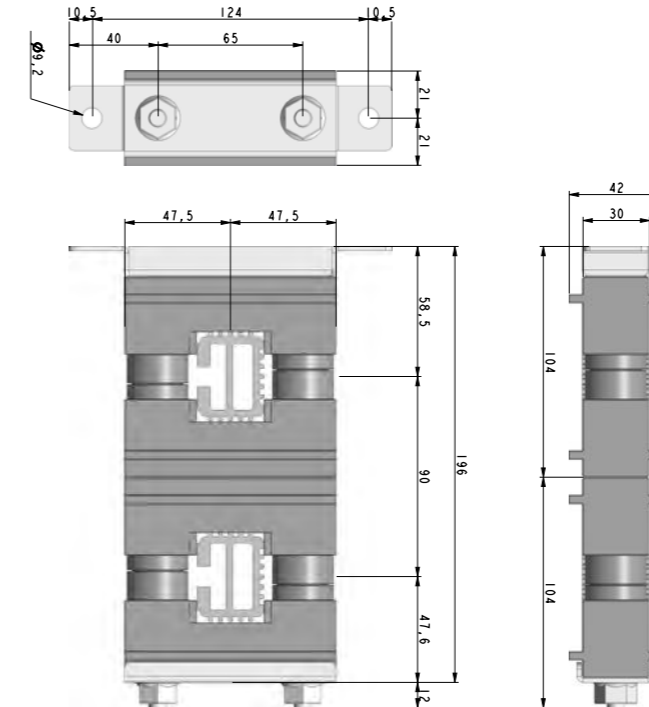
ONE-POLE BACK BASIC BUSBAR HOLDERS

Single phase Back Basic busbar holders for Smart-Energy Basic profiles up to 1250A
(suitable for profiles arranged one above the other)



PRODUCT CODE	PACKAGE CONTENT	WEIGHT (KG)	In (A)
IBB2/C	1 kit	2,3	630/800/1250

PROFILES ARRANGED ONE ABOVE THE OTHER



MAXIMUM MOUNTING DISTANCE BETWEEN BUSBAR HOLDERS				
Rating (A)	630A	800A	1000A	1250A
Bar type	BA6	BA8	BA10	BA12
Max. mounting distance	lcc - (kA)			
850mm	25 kA	25 kA	25 kA	25 kA
600mm	35 kA	35 kA	35 kA	35kA
450mm		40 kA	40 kA	40 kA
350mm		50 kA	50 kA	50 kA

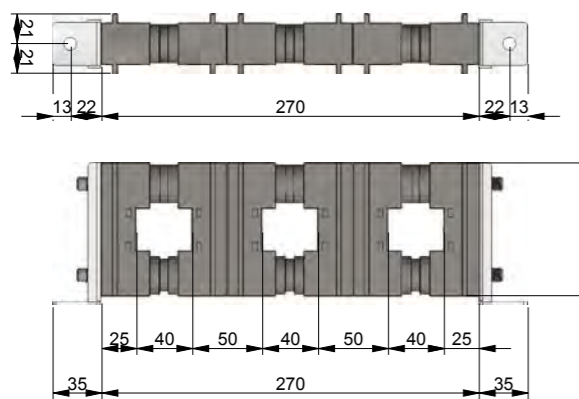
THREE-POLE VERTICAL/HORIZONTAL BACK-BASIC BUSBAR HOLDERS

Three-pole Back- Basic busbar holders for vertical/horizontal Smart-Energy Basic profiles up to 1250A

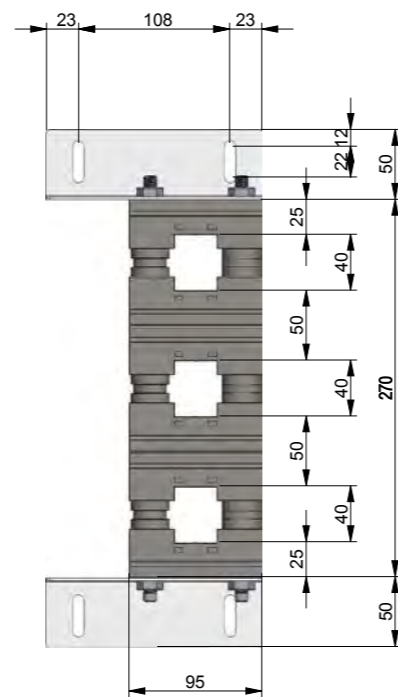


PRODUCT CODE	PACKAGE CONTENT	WEIGHT (KG)	In (A)
IBB3/C	1 kit	3,3	630/800/1250

BARS ARRANGED VERTICALLY



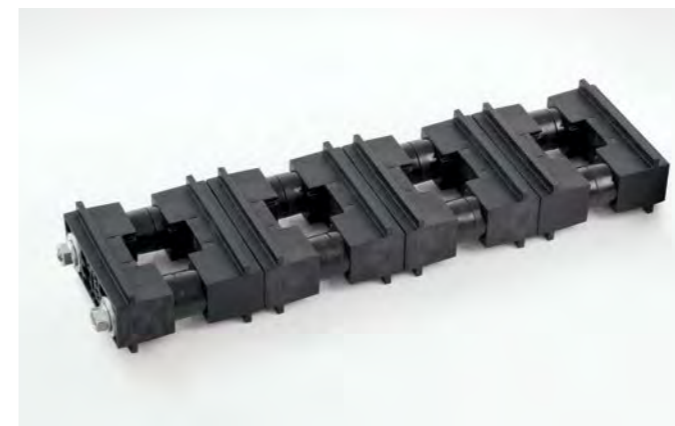
BARS ARRANGED HORIZONTALLY



MAXIMUM MOUNTING DISTANCE BETWEEN BUSBAR HOLDERS				
Rating (A)	630A	800A	1000A	1250A
Bar type	BA6	BA8	BA10	BA12
Max. mounting distance	Icc - (kA)	Icc - (kA)	Icc - (kA)	Icc - (kA)
850mm	25 kA	25 kA	25 kA	25 kA
600mm	35 kA	35 kA	35 kA	35kA
450mm		40 kA	40 kA	40 kA
350mm		50 kA	50 kA	50 kA

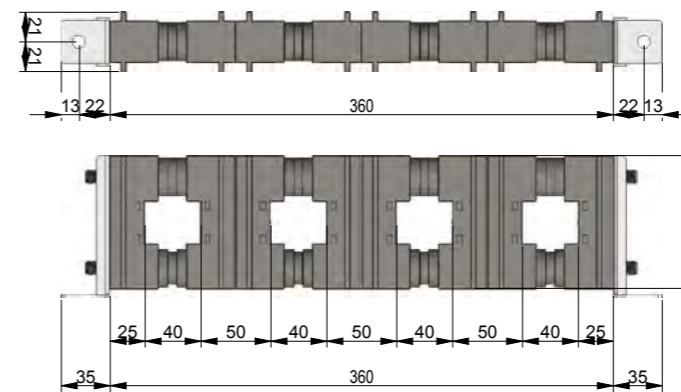
FOUR-POLE VERTICAL/HORIZONTAL BACK-BASIC BUSBAR HOLDERS

Four-pole Back- Basic busbar holders for horizontal/vertical Smart-Energy Basic profiles up to 1250A

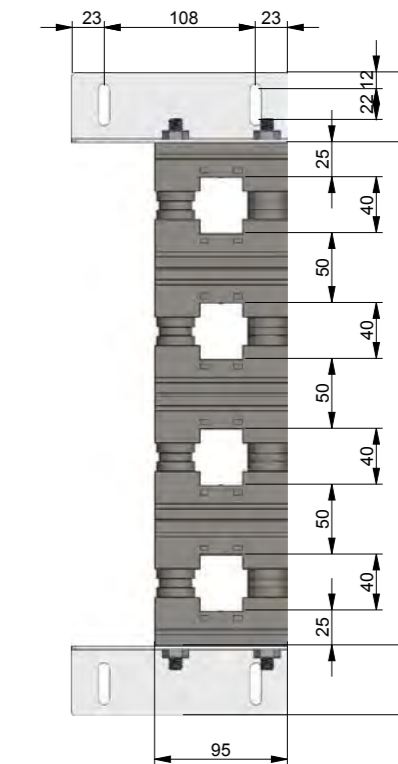


PRODUCT CODE	PACKAGE CONTENT	WEIGHT (KG)	In (A)
IBB4/C	1 kit	3,7	630/800/1250

BARS ARRANGED VERTICALLY



BARS ARRANGED HORIZONTALLY



MAXIMUM MOUNTING DISTANCE BETWEEN BUSBAR HOLDERS				
Rating (A)	630A	800A	1000A	1250A
Bar type	BA6	BA8	BA10	BA12
Max. mounting distance	Icc - (kA)	Icc - (kA)	Icc - (kA)	Icc - (kA)
850mm	25 kA	25 kA	25 kA	25 kA
600mm	35 kA	35 kA	35 kA	35kA
450mm		40 kA	40 kA	40 kA
350mm		50 kA	50 kA	50 kA

BRACKETS FOR HORIZONTAL BACK-BASIC BUSBAR HOLDERS

Stainless steel brackets for-Back Basic busbar holders (suitable for profiles arranged horizontally)



PRODUCT CODE	PACKAGE CONTENT	WEIGHT (KG)
SHLB/C	4 brackets + 4 screws/nuts	0,8

ALUMINIUM JOINTS FOR BACK- BASIC BUSBAR SYSTEM

Tin-plated aluminium joints for the connection between three-pole and four-pole Back Basic busbar systems (suitable for the connection between horizontal and vertical profiles)



PRODUCT CODE	PACKAGE CONTENT	WEIGHT (KG)	N.POLES	IN (A)	ALUMINIUM CROSS SECTION	DIM.
GBB3/C	3 brackets + 6 screws/nuts	0,76	3	630/800/1250	40x8	47x61x37
GBB4/C	4 brackets + 8 screws/nuts	1	4	630/800/1250	40x8	47x61x37

BRACKETS FOR VERTICAL BACK- BASIC BUSBAR HOLDERS

Stainless steel brackets for Back- Basic busbar holders (suitable for profiles arranged vertically)



PRODUCT CODE	PACKAGE CONTENT	WEIGHT (KG)
SVLB/C	6 brackets + 6 screws/nuts	0,65

ALUMINIUM UNIVERSAL BUSBAR SYSTEMS UP TO 1250A



Aluminium profiles suitable for applications up to 1250A, specifically conceived for power distribution. The anodizing treatment as well as the nickel contact surface make the profile resistant to external forces and thus suitable for use in harsh environments. All profiles have been subjected to tests at CESI Institute.

ADVANTAGES

- Cost-saving solution
- Significant wiring times reduction
- Tool-free system
- Resistant to harsh environments

TECHNICAL SPECIFICATIONS

- Anodized aluminium profile
- Nickel contact surface (Thickness 100 micron)



CERTIFICATIONS

B3012744	Verification of the short-circuit withstand of the main circuits	Inom=630A Icc=35 kA
B3013956	Verification of the short-circuit withstand of the main circuits	Inom=1250A Icc=70 kA

TABLE OF AMPACITIES

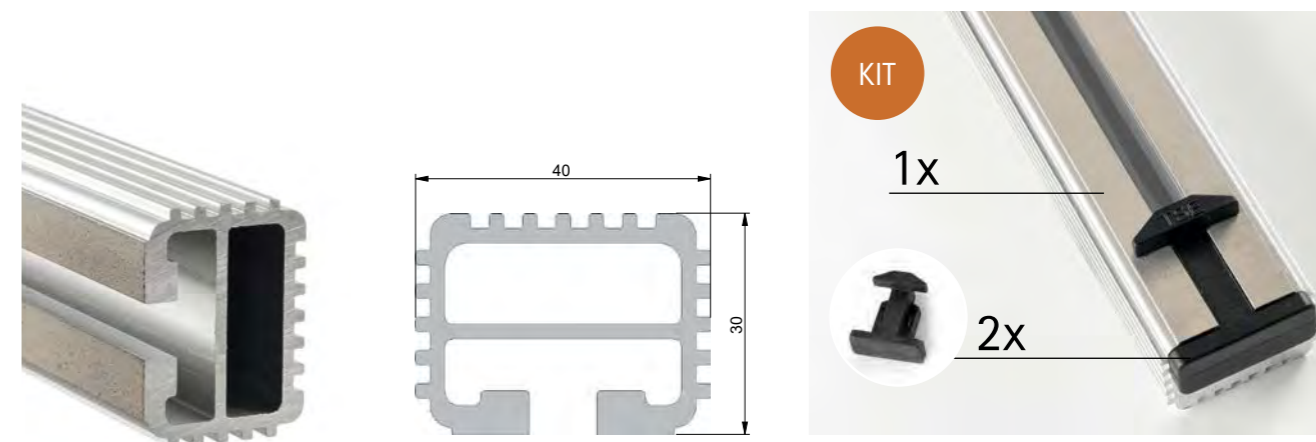
Table of ampacities (A) based on temperature rise T as per DIN 43671 (Data relating to aluminium bars). Reference room temperature 35 °C

In	Icc	No. of bars	Bars type	No. of busbar holders	Max. mounting distance between busbar holders
630A	25 kA	4	BA6	3	850 mm
630A	35 kA	4	BA6	4	600 mm
800A	25 kA	4	BA8	3	850 mm
800A	35 kA	4	BA8	4	600 mm
800A	40 kA	4	BA8	5	450 mm
800A	50 kA	4	BA8	6	350 mm
1250A	25 kA	4	BA12	3	850 mm
1250A	35 kA	4	BA12	4	600 mm
1250A	40 kA	4	BA12	5	450 mm
1250A	50 kA	4	BA12	6	350 mm
1250A	60 kA	4	BA12	8	250 mm
1250A	70 kA	4	BA12	9	250 mm

SMART-ENERGY BASIC PROFILE (630 A)

Anodized aluminium profile with nickel contact surface (cold spray technology) up to 630A

*THE LENGTH OF THE PROFILES CAN BE CUSTOMISED UPON REQUEST

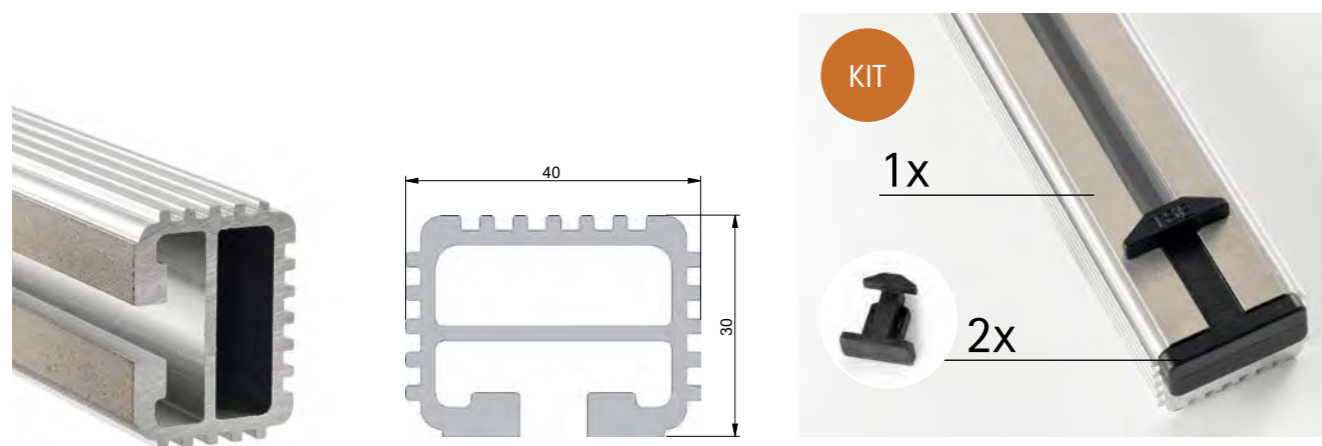


PRODUCT CODE	PACKAGE CONTENT	WEIGHT (KG)	THK (mm)	H (mm)	L (mm)	ΔT 30° C	ΔT 50° C
BA617/C	1 kit	2,1	30	40	1734	661	832
BA623/C	1 kit	2,8	30	40	2325	661	832

SMART-ENERGY BASIC PROFILE (800 A)

Anodized aluminium profile with nickel contact surface (cold spray technology) up to 800A

*THE LENGTH OF THE PROFILES CAN BE CUSTOMISED UPON REQUEST



PRODUCT CODE	PACKAGE CONTENT	WEIGHT (KG)	THK (mm)	H (mm)	L (mm)	ΔT 30° C	ΔT 50° C
BA817/C	1 kit	2,65	30	40	1734	804	1046
BA823/C	1 kit	3,5	30	40	2325	804	1046

BUSBAR END BASES

Bottom base for busbars

TECHNICAL SPECIFICATIONS

- Glass-fiber reinforced polyamide 6/6
- Compliance with UL 94-V0 self-extinguishing requirements
- Continuous operating temperature: 113 °C
- Glow wire test: 965 °C
- Colour: Black

KIT CONTENT

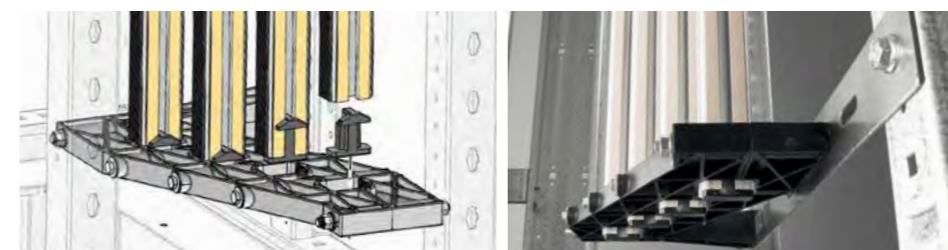
The product kit includes:

- No. 20 polyamide bases

20x



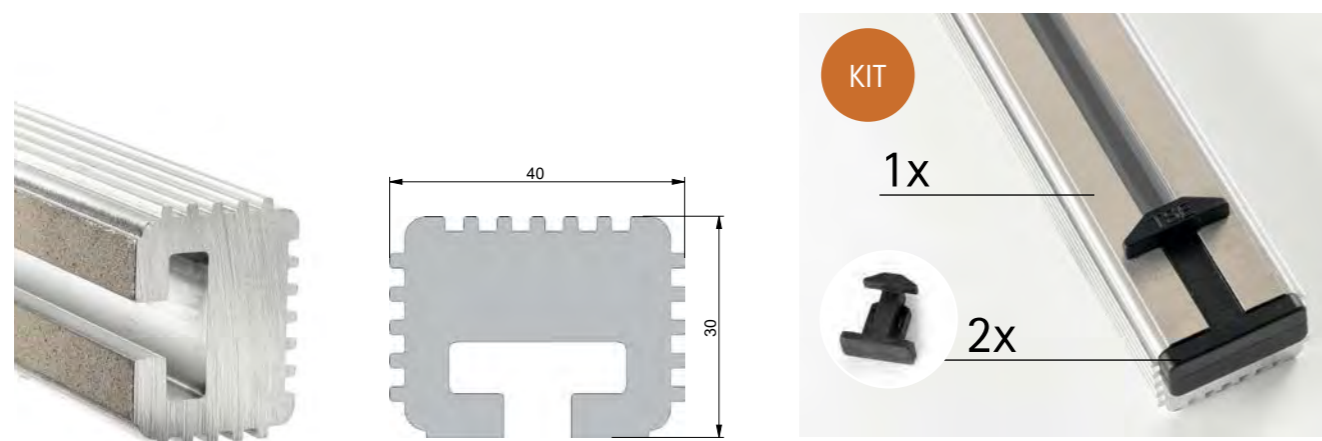
	PRODUCT CODE	PACKAGE CONTENT	WEIGHT (KG)
TSE/C		20	0,24



SMART-ENERGY BASIC PROFILE (1250 A)

Anodized aluminium profile with nickel contact surface (cold spray technology) up to 1250A

*THE LENGTH OF THE PROFILES CAN BE CUSTOMISED UPON REQUEST



PRODUCT CODE	PACKAGE CONTENT	WEIGHT (KG)	THK (mm)	H (mm)	L (mm)	ΔT 30° C	ΔT 50° C
BA1217/C	1 kit	4	30	40	1734	1108	1386
BA1223/C	1 kit	4,15	30	40	2325	1108	1386

ALUMINIUM JOINTS FOR SMART ENERGY BASIC PROFILES



Three-pole or four-pole tin-plated aluminum joints suitable for connections between Smart-Energy Basic profiles up to 1250A. The joints have been designed to perfectly fit all combinations between horizontal and vertical Smart-Energy Basic profiles.

ADVANTAGES

- Maximum compactness
- High speed of assembly
- Versatile design for a wide range of applications

TECHNICAL SPECIFICATIONS

- Tin-plated aluminium joints

ALUMINIUM JOINTS FOR THREE-POLE / FOUR-POLE PROFILES (PROFILES ARRANGED HORIZONTALLY)

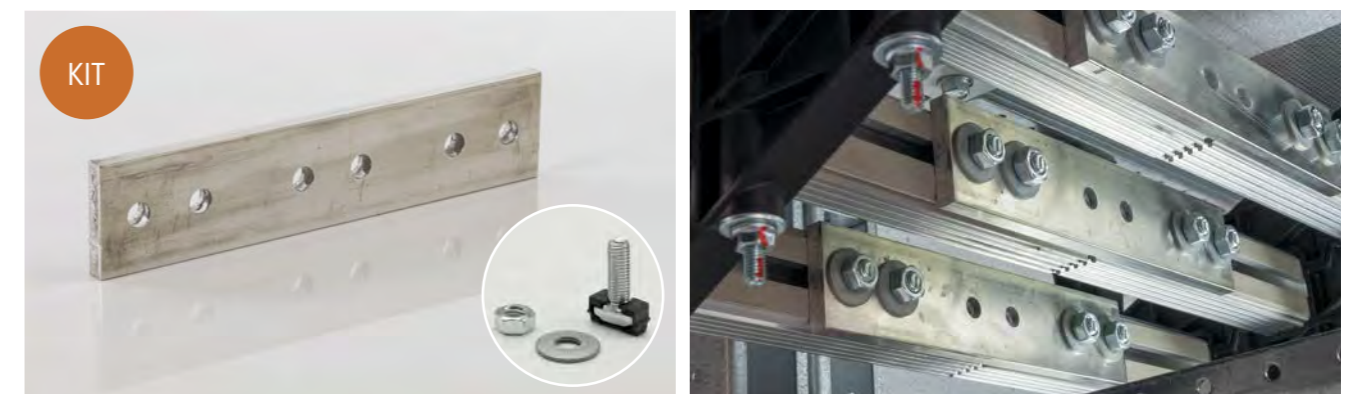
Tin-plated aluminium joints for the connection between Smart-Energy Basic profiles up to 1250A (Suitable for profiles arranged horizontally).



PRODUCT CODE	PACKAGE CONTENT	WEIGHT (KG)	N.POLES	IN (A)	ALUMINIUM CROSS SECTION	LENGTH
GOB123/C	3 joints + 12 screws/nuts	1,95	3	630/800/1000/1250	40x8	105
GOB124/C	4 joints + 16 screws/nuts	2,6	4	630/800/1000/1250	40x8	105

EXTENDED ALUMINIUM JOINTS FOR THREE-POLE / FOUR-POLE PROFILES (PROFILES ARRANGED HORIZONTALLY)

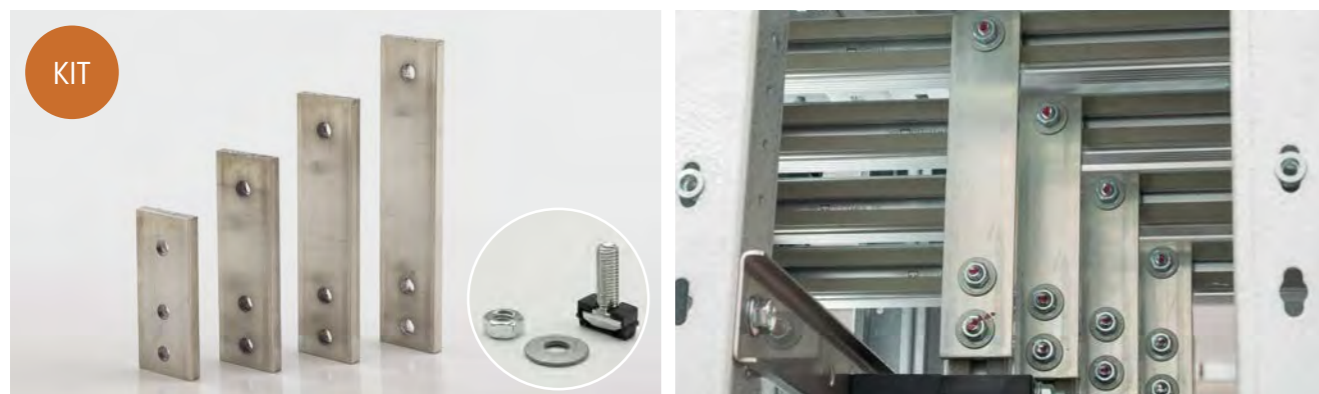
Tin-plated aluminium joints for the connection between Smart-Energy Basic profiles up to 1250A (Suitable for profiles arranged horizontally).



PRODUCT CODE	PACKAGE CONTENT	WEIGHT (KG)	N.POLES	IN (A)	ALUMINIUM CROSS SECTION	LENGTH
GOB123P/C	3 joints + 12 screws/nuts	2,65	3	630/800/1000/1250	40x8	190
GOB124P/C	4 joints + 16 screws/nuts	2,93	4	630/800/1000/1250	40x8	190

ALUMINIUM JOINTS FOR THREE-POLE / FOUR-POLE PROFILES (PROFILES ARRANGED HORIZONTALLY)

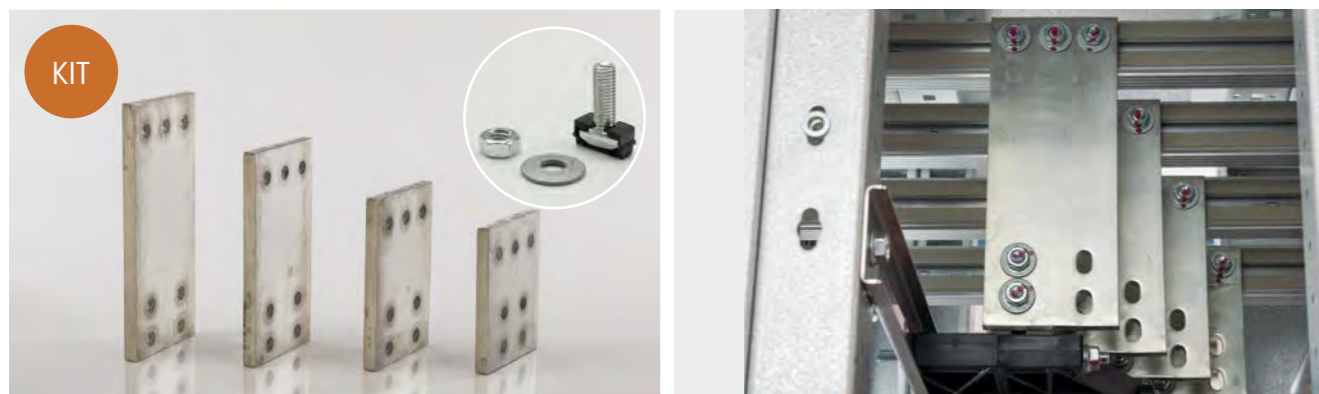
Tin-plated aluminium joints for the connection between Smart-Energy Basic profiles up to 800A
(Suitable for profiles arranged horizontally).



PRODUCT CODE	PACKAGE CONTENT	WEIGHT (KG)	N.POLES	IN (A)	ALUMINIUM CROSS SECTION	LENGTH
GVB803/C	3 joints + 9 screws/nuts	2,7	630/800	3	40x8	(phase L1)- L=95 (phase L2)- L=125 (phase L3)- L=155
GVB804/C	4 joints + 12 screws/nuts	3,9	630/800	4	40x8	(phase L1)- L=95 (phase L2)- L=125 (phase L3)- L=155 (N)- L=185

ALUMINIUM JOINTS FOR THREE-POLE / FOUR-POLE PROFILES (PROFILES ARRANGED VERTICALLY OR HORIZONTALLY)

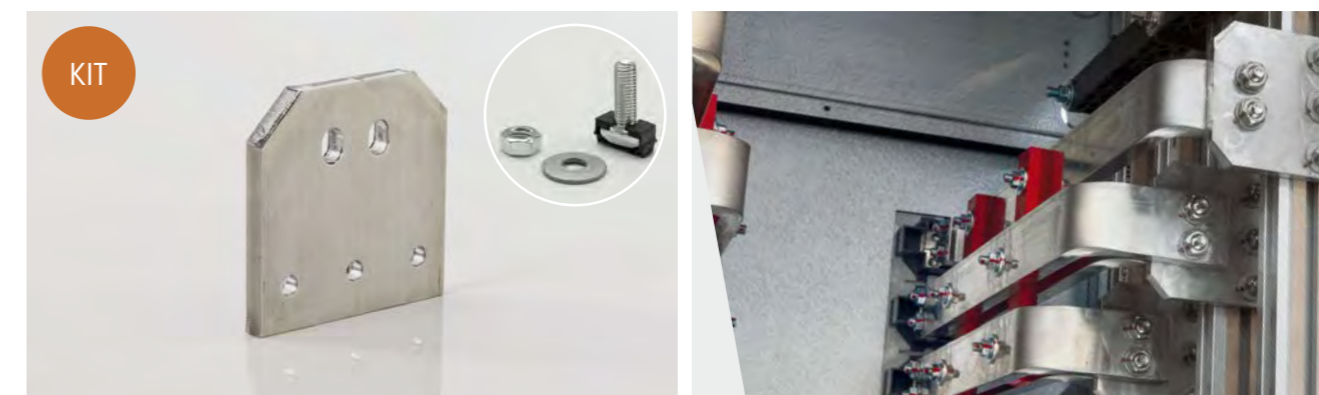
Tin-plated aluminium joints for the connection between Smart-Energy Basic profiles up to 1250A
(Suitable for profiles arranged vertically or horizontally)



PRODUCT CODE	PACKAGE CONTENT	WEIGHT (KG)	N.POLES	IN (A)	ALUMINIUM CROSS SECTION	LENGTH
GVB123/C	3 joints + 15 screws/nuts	4,6	1250	3	80x10	(phase L1)- L=95 (phase L2)- L=125 (phase L3)- L=155
GVB124/C	4 joints + 20 screws/nuts	6,5	1250	4	80x10	(phase L1)- L=95 (phase L2)- L=125 (phase L3)- L=155 (N)- L=185

ALUMINIUM JOINTS FOR THREE-POLE / FOUR-POLE PROFILES

Tin-plated aluminium joints for the connection between Smart-Energy Basic profiles up to 1250A



PRODUCT CODE	PACKAGE CONTENT	WEIGHT (KG)	N.POLES	IN (A)	ALUMINIUM CROSS SECTION	LENGTH
GC123/C	3 joints + 9 screws/nuts	1,45	3	1250	100x10	100
GC124/C	3 joints + 12 screws/nuts	1,9	4	1250	100x10	100

SMART-ENERGY PLUS
UNIVERSAL
ALUMINIUM BUSBAR
SYSTEMS
UP TO 6300A



Al-cu[®]
SYSTEM

LINEAR BUSBAR HOLDERS FOR SMART ENERGY PLUS PROFILES



Linear polyamide busbar holders for Smart-Energy Plus or flat copper bars up to 4000A (Single-line busbar holder) and up to 6300A (Double-line busbar holder). The very simple pattern of consisting of two identical pieces offers maximum accessibility to the cabinet, making wiring quick and easy. The space-saving design allows Linear busbar holders to be installed on the back, on the side or at the top of the electrical cabinet.

ADVANTAGES

- High speed of assembly
- Versatile design for a wide range of applications
- High-strength solution

TECHNICAL SPECIFICATIONS

- Glass-fiber reinforced polyamide 6/6
- Compliance with UL 94-V0 self-extinguishing requirements
- Continuous operating temperature: 113 °C
- Glow wire test: 965 °C
- Colour: Black

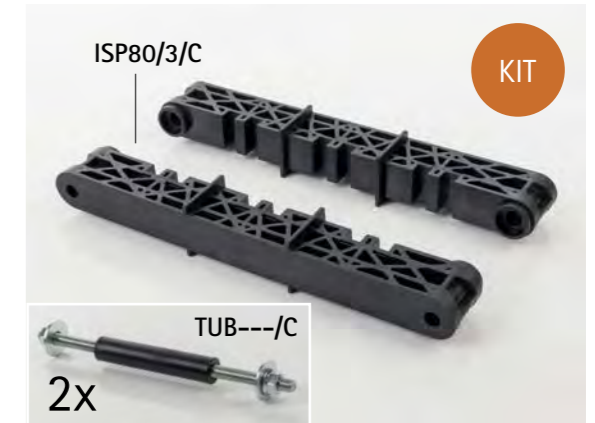
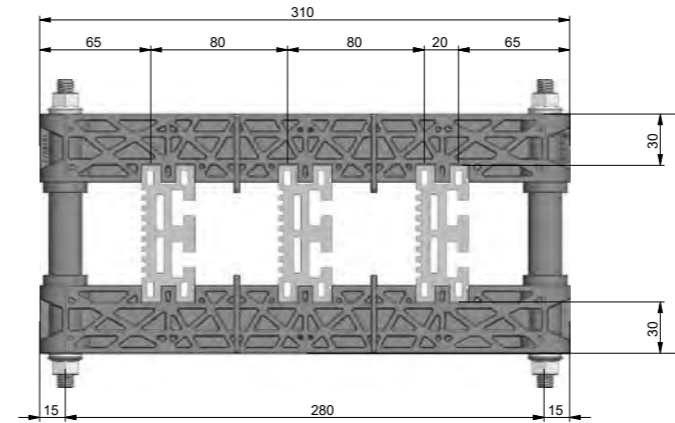


CERTIFICATIONS

B5002265	Verification of the short-circuit withstand of the main circuits Verification of the efficiency of the protection circuit Verification of the short-circuit withstand of the protection circuit	Inom=6300A Icc=105 kA
B7001848	Verification of the short-circuit withstand of the main circuits	Inom=3200A Icc=105 kA

THREE-POLE LINEAR BUSBAR HOLDERS FOR SMART-ENERGY PLUS PROFILES (MOUNTING DISTANCE BETWEEN BUSBAR HOLDERS= 80 MM)

Three-pole busbar holders for Smart-Energy Plus profiles from 630A up to 1600A



PRODUCT CODE	PACKAGE CONTENT	WEIGHT (KG)	SMART-ENERGY PROFILE	PROFILE SIZE (HxTHK)	H (MM)	ΔT 30° C	ΔT 50° C
IS31008/C	cod. ISP80/3/C cod. TUB302/C	1,09	BA10P	50x30	110	1030	1325
IS31208/C	cod. ISP80/3/C cod. TUB402/C	1,1	BA12P	60x30	120	1329	1774
IS31608/C	cod. ISP80/3/C cod. TUB602/C	1,15	BA16P	80x30	140	1774	2215

MAXIMUM MOUNTING DISTANCE BETWEEN BUSBAR HOLDERS			
Rating (A)	630/800/1000A	1250A	1600A
Max. mounting distance	Icc	Icc	Icc
1000mm	20 kA	25 kA	25 kA
950mm	20 kA	30 kA	25 kA
900mm	20 kA	30 kA	30 kA
850mm	20 kA	30 kA	40 kA
800mm	20 kA	35 kA	45 kA
750mm	25 kA	35 kA	45 kA
700mm	25 kA	40 kA	45 kA
650mm	25 kA	40 kA	45 kA
600mm	30 kA	45 kA	50 kA
550mm	30 kA	50 kA	50 kA
500mm	35 kA	55 kA	60 kA
450mm	40 kA	60 kA	60 kA
400mm	45 kA	65 kA	65 kA
350mm	50 kA	70 kA	70 kA
300mm	60 kA	75 kA	75 kA
250mm	75 kA	85 kA	85 kA
200mm	85 kA		
Code	IS31008/C	IS31208/C	IS31608/C

THREE-POLE LOWER BASE

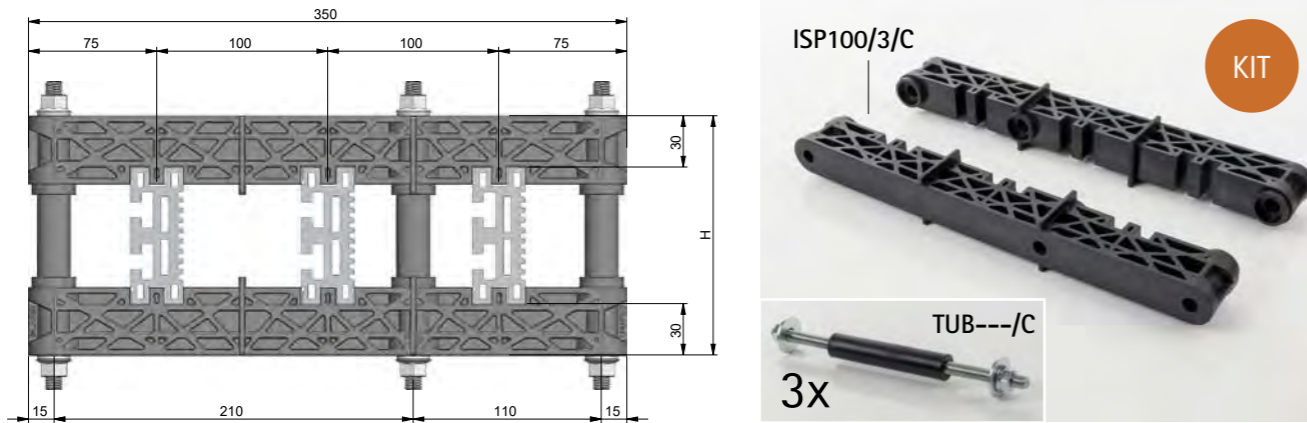
(Mounting distance between busbar holders= 80 mm)
Lower base for applications from 630A up to 1600A

PRODUCT CODE	PACKAGE CONTENT	WEIGHT (KG)	In (A)
ISB308/C	1	1,1	from 630A up to 1600A



THREE-POLE LINEAR BUSBAR HOLDERS FOR SMART-ENERGY PLUS PROFILES (MOUNTING DISTANCE BETWEEN BUSBAR HOLDERS= 100 MM)

Three-pole busbar holders for Smart-Energy Plus profiles from 630A up to 3200A



PRODUCT CODE	PACKAGE CONTENT	WEIGHT (KG)	SMART-ENERGY PROFILE	PROFILE SIZE (HxTHK)	H (MM)	ΔT 30° C	ΔT 50° C
IS31010/C	cod. ISP100/3/C cod. TUB303/C	1,24	BA10P	50x30	110	1030	1325
IS31210/C	cod. ISP100/3/C cod. TUB403/C	1,34	BA12P	60x30	120	1329	1774
IS31610/C	cod. ISP100/3/C cod. TUB603/C	1,4	BA16P	80x30	140	1774	2225
IS32010/C	cod. ISP100/3/C cod. TUB803/C	1,47	BA20P	100x30	160	2108	2739
IS32510/C	cod. ISP100/3/C cod. TUB103/C	1,54	BA25P	120x30	180	2581	3253
IS33210/C	cod. ISP100/3/C cod. TUB133/C	1,66	BA32P	150x30	210	3083	3723

MAXIMUM MOUNTING DISTANCE BETWEEN BUSBAR HOLDERS

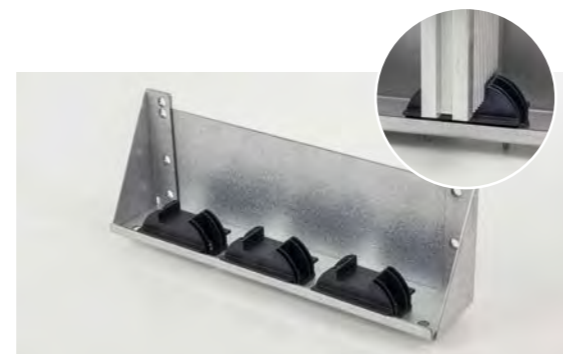
Rating (A)	630/800/1000A	1250A	1600A	2000A	2500A	3200A
Max. mounting distance	lcc	lcc	lcc	lcc	lcc	lcc
1000mm	20 kA	30 kA	35 kA	35 kA	35 kA	35 kA
950mm	20 kA	30 kA	35 kA	35 kA	35 kA	35 kA
900mm	20 kA	35 kA	40 kA	40 kA	40 kA	40 kA
850mm	20 kA	35 kA	45 kA	50 kA	50 kA	50 kA
800mm	25 kA	40 kA	50 kA	55 kA	60 kA	60 kA
750mm	25 kA	40 kA	55 kA	55 kA	60 kA	60 kA
700mm	30 kA	45 kA	55 kA	60 kA	60 kA	60 kA
650mm	30 kA	45 kA	55 kA	65 kA	65 kA	65 kA
600mm	35 kA	50 kA	65 kA	75 kA	75 kA	75 kA
550mm	35 kA	55 kA	70 kA	75 kA	75 kA	75 kA
500mm	40 kA	60 kA	75 kA	80 kA	80 kA	80 kA
450mm	45 kA	65 kA	80 kA	85 kA	85 kA	85 kA
400mm	55 kA	75 kA	90 kA	90 kA	90 kA	90 kA
350mm	60 kA	80 kA	95 kA	95 kA	95 kA	105 kA
300mm	70 kA	90 kA	105 kA	105 kA	105 kA	
250mm	80 kA	100 kA				
200mm	100 kA					
Code	IS31010/C	IS31210/C	IS31610/C	IS32010/C	IS32510/C	IS33210/C

THREE-POLE LOWER BASE

(Mounting distance between busbar holders= 100 mm)

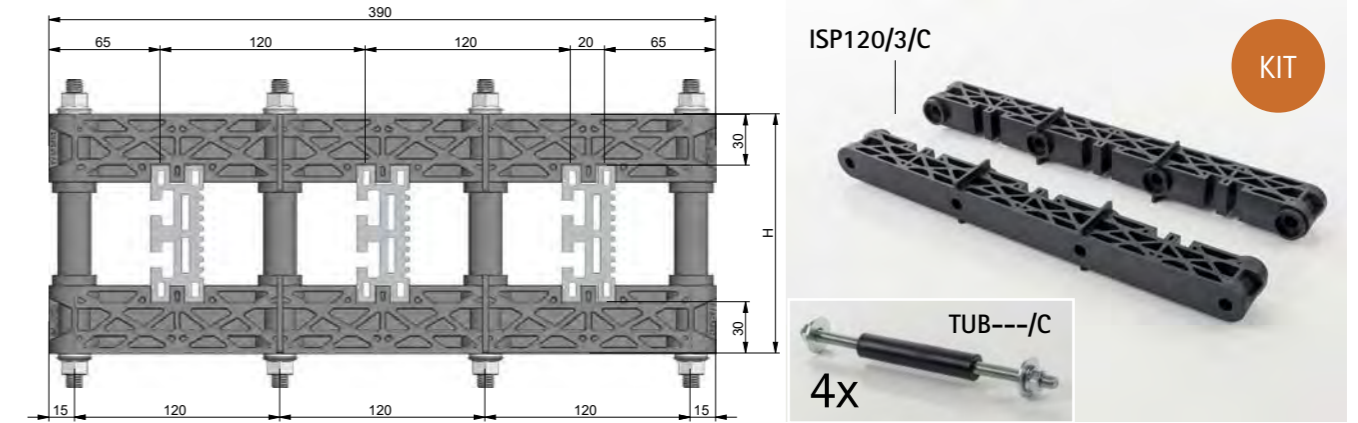
Lower base for applications from 630A up to 3200A

PRODUCT CODE	PACKAGE CONTENT	WEIGHT (KG)	In (A)
ISB310/C	1	1,3	from 630A up to 3200A



THREE-POLE LINEAR BUSBAR HOLDERS FOR SMART-ENERGY PLUS PROFILES (MOUNTING DISTANCE BETWEEN BUSBAR HOLDERS= 120 MM)

Three-pole busbar holders for Smart-Energy Plus profiles from 630A up to 4000A



PRODUCT CODE	PACKAGE CONTENT	WEIGHT (KG)	SMART-ENERGY PROFILE	PROFILE SIZE (HxTHK)	H (MM)	ΔT 30° C	ΔT 50° C
IS31012/C	cod. ISP120/3/C cod. TUB304/C	1,56	BA10P	50x30	110	1030	1325
IS31212/C	cod. ISP120/3/C cod. TUB404/C	1,6	BA12P	60x30	120	1329	1774
IS31612/C	cod. ISP120/3/C cod. TUB604/C	1,67	BA16P	80x30	140	1774	2215
IS32012/C	cod. ISP120/3/C cod. TUB804/C	1,77	BA20P	100x30	160	2108	2739
IS32512/C	cod. ISP120/3/C cod. TUB104/C	1,86	BA25P	120x30	180	2581	3253
IS33212/C	cod. ISP120/3/C cod. TUB134/C	2,00	BA32P	150x30	210	3083	3723
IS34012/C	cod. ISP120/3/C cod. TUB164/C	2,14	BA40P	180x30	240	3950	4562

MAXIMUM MOUNTING DISTANCE BETWEEN BUSBAR HOLDERS

Rating (A)	630/800/1000A	1250A	1600A	2000A	2500A	3200A	4000A
Max. mounting distance	lcc	lcc	lcc	lcc	lcc	lcc	lcc
1000mm	25 kA	30 kA	35 kA	35 kA	35 kA	35 kA	35 kA
950mm	25 kA	35 kA	45 kA	40 kA	40 kA	40 kA	40 kA
900mm	25 kA	35 kA	45 kA	40 kA	50 kA	40 kA	45 kA
850mm	25 kA	40 kA	45 kA	45 kA	55 kA	45 kA	50 kA
800mm	30 kA	40 kA	50 kA	60 kA	60 kA	60 kA	60 kA
750mm	30 kA	45 kA	55 kA	65 kA	65 kA	65 kA	65 kA
700mm	35 kA	50 kA	60 kA	65 kA	70 kA	70 kA	70 kA
650mm	35 kA	50 kA	65 kA	70 kA	70 kA	70 kA	70 kA
600mm	40 kA	55 kA	70 kA	75 kA	75 kA	75 kA	75 kA
550mm	45 kA	60 kA	75 kA	80 kA	80 kA	80 kA	80 kA
500mm	50 kA	65 kA	85 kA	85 kA	85 kA	85 kA	85 kA
450mm	50 kA	70 kA	90 kA	90 kA	90 kA	90 kA	90 kA
400mm	60 kA	80 kA	95 kA	95 kA	95 kA	95 kA	95 kA
350mm	65 kA	95 kA	105 kA	105 kA	105 kA	105 kA	105 kA
300mm	80 kA	105 kA					
250mm	95 kA						
200mm	105 kA						
Code	IS31012/C	IS31212/C	IS31612/C	IS32012/C	IS32512/C	IS33212/C	IS34012/C

THREE-POLE LOWER BASE

(Mounting distance between busbar holders= 120 mm)

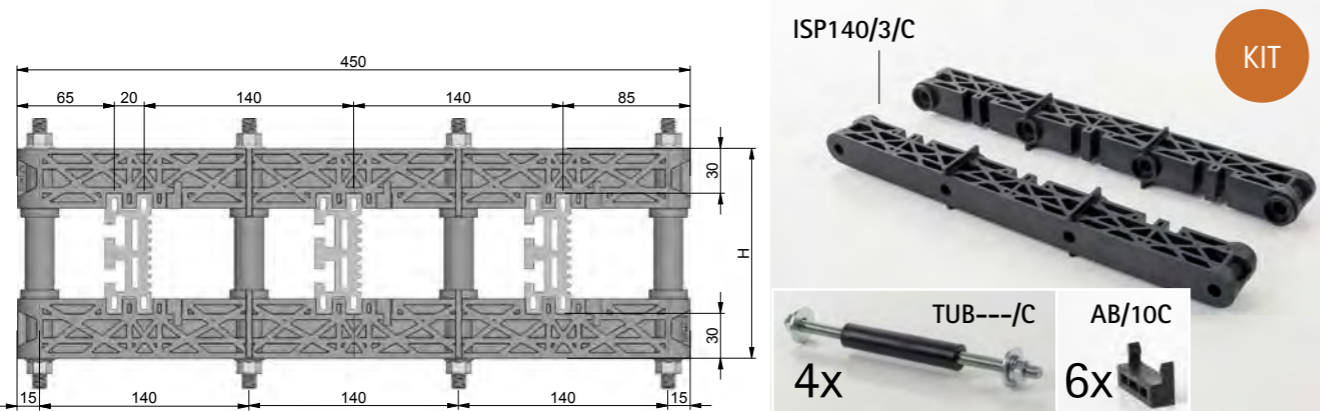
Lower base for applications from 630A up to 4000A

PRODUCT CODE	PACKAGE CONTENT	WEIGHT (KG)	In (A)
ISB312/C	1	1,5	from 630A up to 4000A



THREE-POLE LINEAR BUSBAR HOLDERS FOR SMART-ENERGY PLUS PROFILES (MOUNTING DISTANCE BETWEEN BUSBAR HOLDERS= 140 MM)

Three-pole busbar holders for Smart-Energy Plus profiles from 630A up to 4000A



PRODUCT CODE	PACKAGE CONTENT	WEIGHT (KG)	SMART-ENERGY PROFILE	PROFILE SIZE (HxTHK)	H (MM)	ΔT 30° C	ΔT 50° C
IS31014/C	cod. ISP140/3/C, AB/10C, cod. TUB305/C	2,1	BA10P	50x30	110	1030	1325
IS31214/C	cod. ISP140/3/C, AB/10C, cod. TUB405/C	2,14	BA12P	60x30	120	1329	1774
IS31614/C	cod. ISP140/3/C, AB/10C, cod. TUB605/C	2,24	BA16P	80x30	140	1774	2215
IS32014/C	cod. ISP140/3/C, AB/10C, cod. TUB805/C	2,36	BA20P	100x30	160	2108	2793
IS32514/C	cod. ISP140/3/C, AB/10C, cod. TUB105/C	2,6	BA25P	120x30	180	2581	3253
IS33214/C	cod. ISP140/3/C, AB/10C, cod. TUB135/C	2,8	BA32P	150x30	210	3083	3723
IS34014/C	cod. ISP140/3/C, AB/10C, cod. TUB165/C	2,9	BA40P	180x30	240	3950	4562

MAXIMUM MOUNTING DISTANCE BETWEEN BUSBAR HOLDERS							
Rating (A)	630/800/1000A	1250A	1600A	2000A	2500A	3200A	4000A
Max. mounting distance	lcc	lcc	lcc	lcc	lcc	lcc	lcc
1000mm	25 kA	35 kA	45 kA	45 kA	45 kA	45 kA	45 kA
950mm	25 kA	35 kA	45 kA	45 kA	45 kA	45 kA	45 kA
900mm	30 kA	40 kA	50 kA	45 kA	50 kA	50 kA	50 kA
850mm	30 kA	40 kA	50 kA	50 kA	60 kA	60 kA	60 kA
800mm	30 kA	45 kA	55 kA	60 kA	75 kA	75 kA	75 kA
750mm	35 kA	50 kA	55 kA	65 kA	75 kA	75 kA	75 kA
700mm	35 kA	50 kA	60 kA	70 kA	80 kA	80 kA	80 kA
650mm	40 kA	55 kA	65 kA	75 kA	85 kA	85 kA	85 kA
600mm	45 kA	55 kA	70 kA	85 kA	90 kA	90 kA	95 kA
550mm	45 kA	65 kA	80 kA	90 kA	95 kA	95 kA	95 kA
500mm	50 kA	70 kA	85 kA	100 kA	100 kA	100 kA	100 kA
450mm	55 kA	75 kA	95 kA	105 kA	105 kA	105 kA	105 kA
400mm	65 kA	85 kA	105 kA				
350mm	70 kA	100 kA					
300mm	85 kA	105 kA					
250mm	10 kA						
200mm	105 kA						
Code	IS31014/C	IS31214/C	IS31614/C	IS32014/C	IS32514/C	IS33214/C	IS34014/C

THREE-POLE LOWER BASE

(Mounting distance between busbar holders= 140 mm)

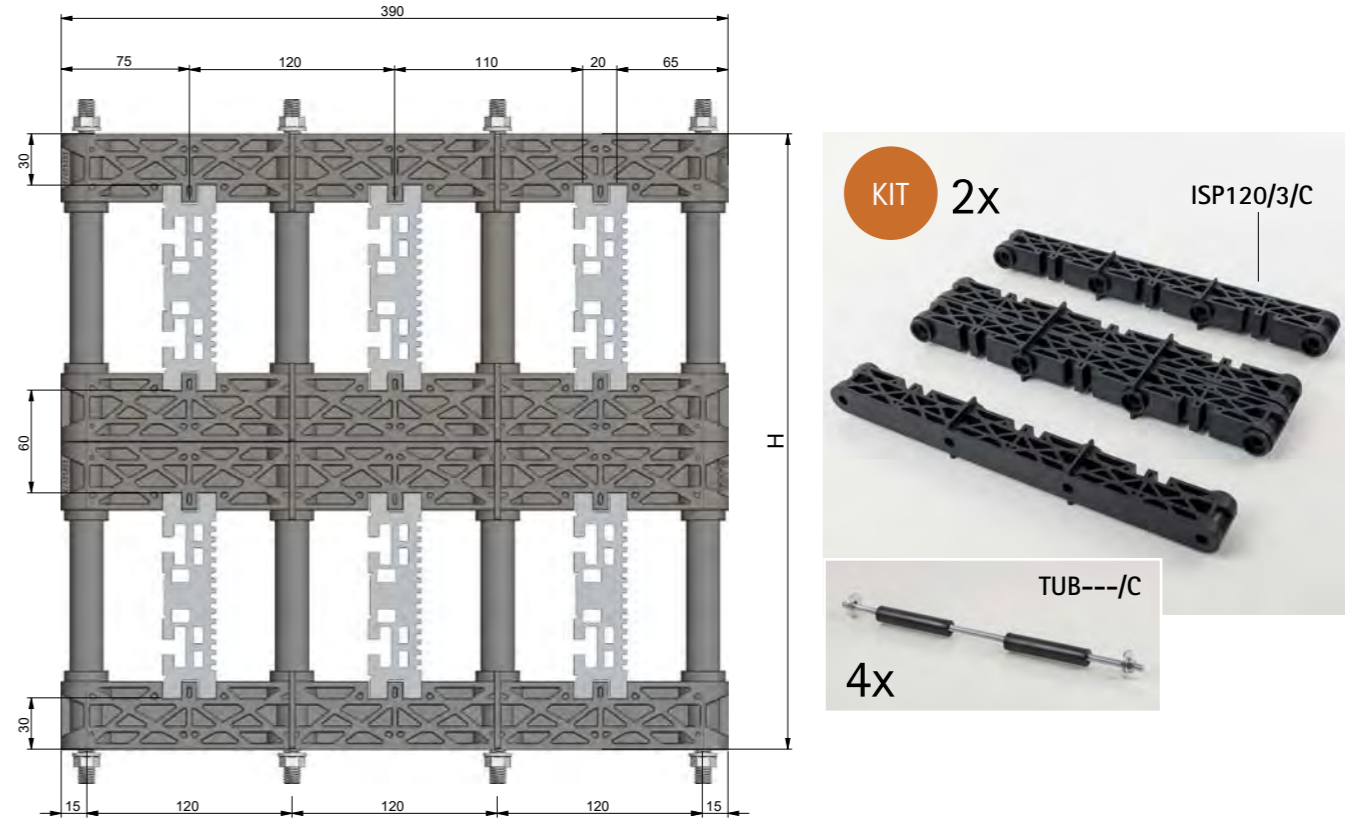
Lower base for applications from 630A up to 4000A

PRODUCT CODE	PACKAGE CONTENT	WEIGHT (KG)	In (A)
ISB314/C	1	1,8	from 630A up to 4000A



DOUBLE-LINE, THREE-POLE LINEAR BUSBAR HOLDERS FOR SMART-ENERGY PLUS PROFILES (MOUNTING DISTANCE BETWEEN BUSBAR HOLDERS= 120 MM)

Three-pole busbar holders for Smart-Energy Plus profiles from 5000A up to 6300A

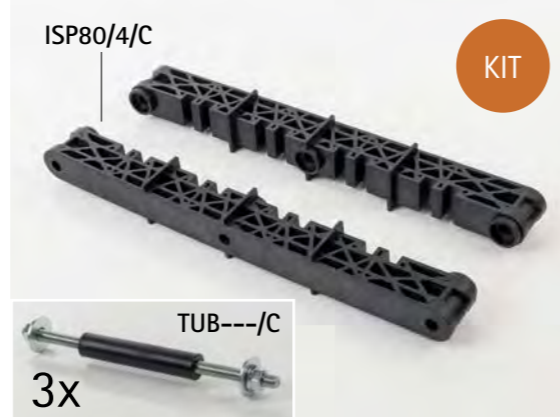
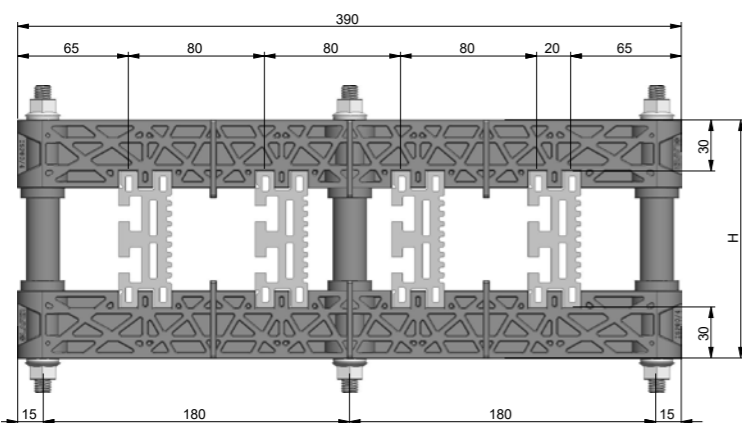


PRODUCT CODE	PACKAGE CONTENT	WEIGHT (KG)	SMART-ENERGY PROFILE	PROFILE SIZE (HxTHK)	H (MM)	ΔT 30° C	ΔT 50° C
IS35012/C	cod. ISP120/3/C cod. TUB114/C	3,40	BA25P	120x30	360	5080	6410
IS36312/C	cod. ISP120/3/C cod. TUB13134/C	3,64	BA32P	150x30	420	6170	7460

MAXIMUM MOUNTING DISTANCE BETWEEN BUSBAR HOLDERS		
Rating (A)	5000A	6300A
Max. mounting distance	lcc	lcc
1000mm	35 kA	35 kA
950mm	40 kA	40 kA
900mm	45 kA	45 kA
850mm	50 kA	50 kA
800mm	60 kA	60 kA
750mm	65 kA	65 kA
700mm	70 kA	70 kA
650mm	70 kA	70 kA
600mm	75 kA	75 kA
550mm	80 kA	80 kA
500mm	85 kA	85 kA
450mm	90 kA	90 kA
400mm	105 kA	105 kA
Code	IS35012/C	IS36312/C

FOUR-POLE LINEAR BUSBAR HOLDERS FOR SMART-ENERGY PLUS PROFILES (MOUNTING DISTANCE BETWEEN BUSBAR HOLDERS= 80 MM)

Four-pole busbar holders for Smart-Energy Plus profiles from 630A up to 1600A



PRODUCT CODE	PACKAGE CONTENT	WEIGHT (KG)	SMART-ENERGY PROFILE	PROFILE SIZE (HxTHK)	H (MM)	ΔT 30° C	ΔT 50° C
IS41008/C	cod. ISP80/4/C cod. TUB303/C	1,45	BA10P	50x30	110	1030	1325
IS41208/C	cod. ISP80/4/C cod. TUB403/C	1,47	BA12P	60x30	120	1329	1774
IS41608/C	cod. ISP80/4/C cod. TUB603/C	1,53	BA16P	80x30	140	1764	2225

MAXIMUM MOUNTING DISTANCE BETWEEN BUSBAR HOLDERS			
Rating (A)	630/800/1000A	1250A	1600A
Max. mounting distance	lcc	lcc	lcc
1000mm	20 kA	25 kA	25 kA
950mm	20 kA	30 kA	25 kA
900mm	20 kA	30 kA	30 kA
850mm	20 kA	30 kA	40 kA
800mm	20 kA	35 kA	45 kA
750mm	25 kA	35 kA	45 kA
700mm	25 kA	40 kA	45 kA
650mm	25 kA	40 kA	45 kA
600mm	30 kA	45 kA	50 kA
550mm	30 kA	50 kA	50 kA
500mm	35 kA	55 kA	60 kA
450mm	40 kA	60 kA	60 kA
400mm	45 kA	65 kA	65 kA
350mm	50 kA	70 kA	70 kA
300mm	60 kA	75 kA	75 kA
250mm	75 kA	85 kA	85 kA
200mm	85 kA		
Code	IS41008/C	IS41208/C	IS41608/C

FOUR-POLE LOWER BASE

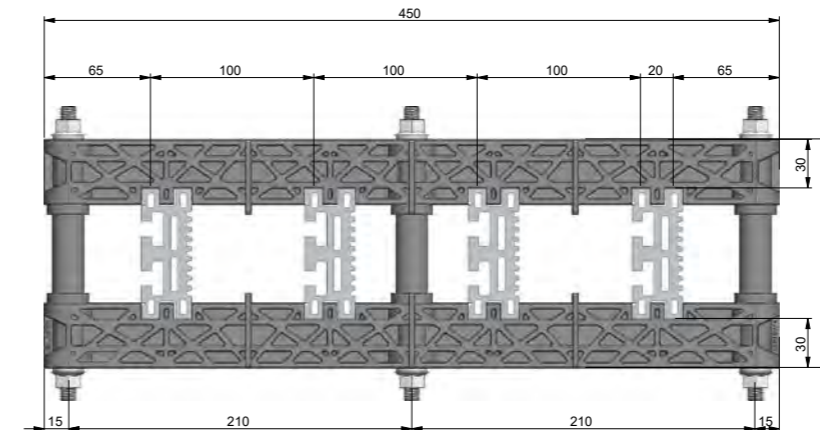
(Mounting distance between busbar holders= 80 mm)
Lower base for applications from 630A up to 1600A

PRODUCT CODE	PACKAGE CONTENT	WEIGHT (KG)	In (A)
ISB408/C	1	1,34	from 630A up to 4000A



FOUR-POLE LINEAR BUSBAR HOLDERS FOR SMART-ENERGY PLUS PROFILES (MOUNTING DISTANCE BETWEEN BUSBAR HOLDERS= 100 MM)

Four-pole busbar holders for Smart-Energy Plus profiles from 630A up to 3200A



PRODUCT CODE	PACKAGE CONTENT	WEIGHT (KG)	SMART-ENERGY PROFILE	PROFILE SIZE (HxTHK)	H (MM)	ΔT 30° C	ΔT 50° C
IS41010/C	cod. ISP100/4/C cod. TUB303/C	1,56	BA10P	50x30	110	1030	1325
IS41210/C	cod. ISP100/4/C cod. TUB403/C	1,58	BA12P	60x30	120	1329	1774
IS41610/C	cod. ISP100/4/C cod. TUB603/C	1,64	BA16P	80x30	140	1774	2215
IS42010/C	cod. ISP100/4/C cod. TUB803/C	1,70	BA20P	100x30	160	2108	2739
IS42510/C	cod. ISP100/4/C cod. TUB103/C	1,78	BA25P	120x30	180	2581	3253
IS43210/C	cod. ISP100/4/C cod. TUB134/C	2,17	BA32P	150x30	210	3083	3723

MAXIMUM MOUNTING DISTANCE BETWEEN BUSBAR HOLDERS						
Rating (A)	630/800/1000A	1250A	1600A	2000A	2500A	3200A
Max. mounting distance	lcc	lcc	lcc	lcc	lcc	lcc
1000mm	20 kA	30 kA	35 kA	35 kA	35 kA	35 kA
950mm	20 kA	30 kA	35 kA	35 kA	35 kA	35 kA
900mm	20 kA	35 kA	40 kA	40 kA	40 kA	40 kA
850mm	20 kA	35 kA	45 kA	50 kA	50 kA	50 kA
800mm	25 kA	40 kA	50 kA	55 kA	60 kA	60 kA
750mm	25 kA	40 kA	55 kA	55 kA	60 kA	60 kA
700mm	30 kA	45 kA	55 kA	60 kA	60 kA	60 kA
650mm	30 kA	45 kA	55 kA	65 kA	65 kA	65 kA
600mm	35 kA	50 kA	65 kA	75 kA	75 kA	75 kA
550mm	35 kA	55 kA	70 kA	75 kA	75 kA	75 kA
500mm	40 kA	60 kA	75 kA	80 kA	80 kA	80 kA
450mm	45 kA	65 kA	80 kA	85 kA	85 kA	85 kA
400mm	55 kA	75 kA	90 kA	90 kA	90 kA	90 kA
350mm	60 kA	80 kA	95 kA	95 kA	95 kA	105 kA
300mm	70 kA	90 kA	105 kA	105 kA	105 kA	
250mm	80 kA	100 kA				
200mm	100 kA					
Code	IS41010/C	IS41210/C	IS41610/C	IS42010/C	IS42510/C	IS43210/C

FOUR-POLE LOWER BASE

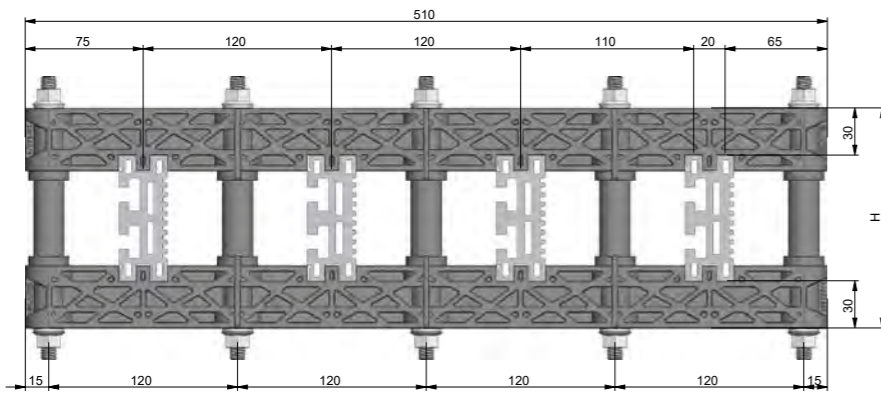
(Mounting distance between busbar holders= 100 mm)
Lower base for applications from 630A up to 3200A

PRODUCT CODE	PACKAGE CONTENT	WEIGHT (KG)	In (A)
ISB410/C	1	1,34	from 630A up to 3200A



FOUR-POLE LINEAR BUSBAR HOLDERS FOR SMART-ENERGY PLUS PROFILES (MOUNTING DISTANCE BETWEEN BUSBAR HOLDERS= 120 MM)

Four-pole busbar holders for Smart-Energy Plus profiles from 630A up to 4000A



PRODUCT CODE	PACKAGE CONTENT	WEIGHT (KG)	SMART-ENERGY PROFILE	PROFILE SIZE (HxTHK)	H (MM)	ΔT 30° C	ΔT 50° C
IS41012/C	cod. ISP120/4/C cod. TUB305/C	2	BA10P	50x30	110	1030	1325
IS41212/C	cod. ISP120/4/C cod. TUB405/C	2,04	BA12P	60x30	120	1329	1774
IS41612/C	cod. ISP120/4/C cod. TUB605/C	2,14	BA16P	80x30	140	1774	2215
IS42012/C	cod. ISP120/4/C cod. TUB805/C	2,26	BA20P	100x30	160	2108	2793
IS42512/C	cod. ISP120/4/C cod. TUB105/C	2,4	BA25P	120x30	180	2581	3253
IS43212/C	cod. ISP120/4/C cod. TUB135/C	2,6	BA32P	150x30	210	3083	3723
IS44012/C	cod. ISP120/4/C cod. TUB165/C	2,7	BA40P	180x30	240	3950	4562

MAXIMUM MOUNTING DISTANCE BETWEEN BUSBAR HOLDERS							
Rating (A)	630/800/1000A	1250A	1600A	2000A	2500A	3200A	4000A
Max. mounting distance	lcc	lcc	lcc	lcc	lcc	lcc	lcc
1000mm	25 kA	30 kA	35 kA	35 kA	35 kA	35 kA	35 kA
950mm	25 kA	35 kA	45 kA	40 kA	40 kA	40 kA	40 kA
900mm	25 kA	35 kA	45 kA	40 kA	50 kA	40 kA	45 kA
850mm	25 kA	40 kA	45 kA	45 kA	55 kA	45 kA	50 kA
800mm	30 kA	40 kA	50 kA	60 kA	60 kA	60 kA	60 kA
750mm	30 kA	45 kA	55 kA	65 kA	65 kA	65 kA	65 kA
700mm	35 kA	50 kA	60 kA	65 kA	70 kA	70 kA	70 kA
650mm	35 kA	50 kA	65 kA	70 kA	70 kA	70 kA	70 kA
600mm	40 kA	55 kA	70 kA	75 kA	75 kA	75 kA	75 kA
550mm	45 kA	60 kA	75 kA	80 kA	80 kA	80 kA	80 kA
500mm	50 kA	65 kA	85 kA	85 kA	85 kA	85 kA	85 kA
450mm	50 kA	70 kA	90 kA	90 kA	90 kA	90 kA	90 kA
400mm	60 kA	80 kA	95 kA	95 kA	95 kA	95 kA	95 kA
350mm	65 kA	95 kA	105 kA	105 kA	105 kA	105 kA	105 kA
300mm	80 kA	105 kA					
250mm	95 kA						
200mm	105 kA						
Code	IS41012/C	IS41212/C	IS41612/C	IS42012/C	IS42512/C	IS43212/C	IS44012/C

FOUR-POLE LOWER BASE

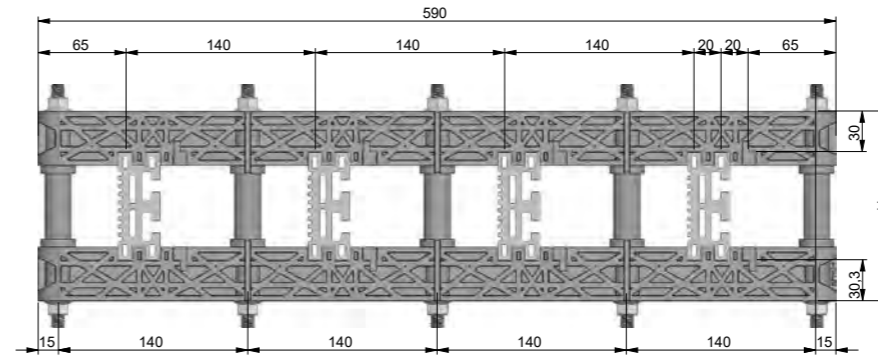
(Mounting distance between busbar holders= 120 mm)
Lower base for applications from 630A up to 4000A

PRODUCT CODE	PACKAGE CONTENT	WEIGHT (KG)	In (A)
ISB412/C	1	1,6	from 630A up to 4000A



FOUR-POLE LINEAR BUSBAR HOLDERS FOR SMART-ENERGY PLUS PROFILES (MOUNTING DISTANCE BETWEEN BUSBAR HOLDERS= 140 MM)

Four-pole busbar holders for Smart-Energy Plus profiles from 630A up to 4000A



PRODUCT CODE	PACKAGE CONTENT	WEIGHT (KG)	SMART-ENERGY PROFILE	PROFILE SIZE (HxTHK)	H (MM)	ΔT 30° C	ΔT 50° C
IS41014/C	cod. ISP140/4/C, AB/10C, cod. TUB305/C	2,1	BA10P	50x30	110	1030	1325
IS41214/C	cod. ISP140/4/C, AB/10C, cod. TUB405/C	2,14	BA12P	60x30	120	1329	1774
IS41614/C	cod. ISP140/4/C, AB/10C, cod. TUB605/C	2,24	BA16P	80x30	140	1774	2215
IS42014/C	cod. ISP140/4/C, AB/10C, cod. TUB805/C	2,36	BA20P	100x30	160	2108	2793
IS42514/C	cod. ISP140/4/C, AB/10C, cod. TUB105/C	2,6	BA25P	120x30	180	2581	3253
IS43214/C	cod. ISP140/4/C, AB/10C, cod. TUB135/C	2,8	BA32P	150x30	210	3083	3723
IS44014/C	cod. ISP140/4/C, AB/10C, cod. TUB165/C	2,9	BA40P	180x30	240	3950	4562

MAXIMUM MOUNTING DISTANCE BETWEEN BUSBAR HOLDERS							
Rating (A)	630/800/1000A	1250A	1600A	2000A	2500A	3200A	4000A
Max. mounting distance	lcc	lcc	lcc	lcc	lcc	lcc	lcc
1000mm	25 kA	35 kA	45 kA	45 kA	45 kA	45 kA	45 kA
950mm	25 kA	35 kA	45 kA	45 kA	45 kA	45 kA	45 kA
900mm	30 kA	40 kA	50 kA	45 kA	50 kA	50 kA	50 kA
850mm	30 kA	40 kA	50 kA	50 kA	60 kA	60 kA	60 kA
800mm	30 kA	45 kA	55 kA	60 kA	75 kA	75 kA	75 kA
750mm	35 kA	50 kA	55 kA	65 kA	75 kA	75 kA	75 kA
700mm	35 kA	50 kA	60 kA	70 kA	80 kA	80 kA	80 kA
650mm	40 kA	55 kA	65 kA	75 kA	85 kA	85 kA	85 kA
600mm	45 kA	55 kA	70 kA	85 kA	90 kA	90 kA	95 kA
550mm	45 kA	65 kA	80 kA	90 kA	95 kA	95 kA	95 kA
500mm	50 kA	70 kA	85 kA	100 kA	100 kA	100 kA	100 kA
450mm	55 kA	75 kA	95 kA	105 kA	105 kA	105 kA	105 kA
400mm	65 kA	85 kA	105 kA				
350mm	70 kA	100 kA					
300mm	85 kA	105 kA					
250mm	10 kA						
200mm	105 kA						
Code	IS41014/C	IS41214/C	IS41614/C	IS42014/C	IS42514/C	IS43214/C	IS44014/C

FOUR-POLE LOWER BASE

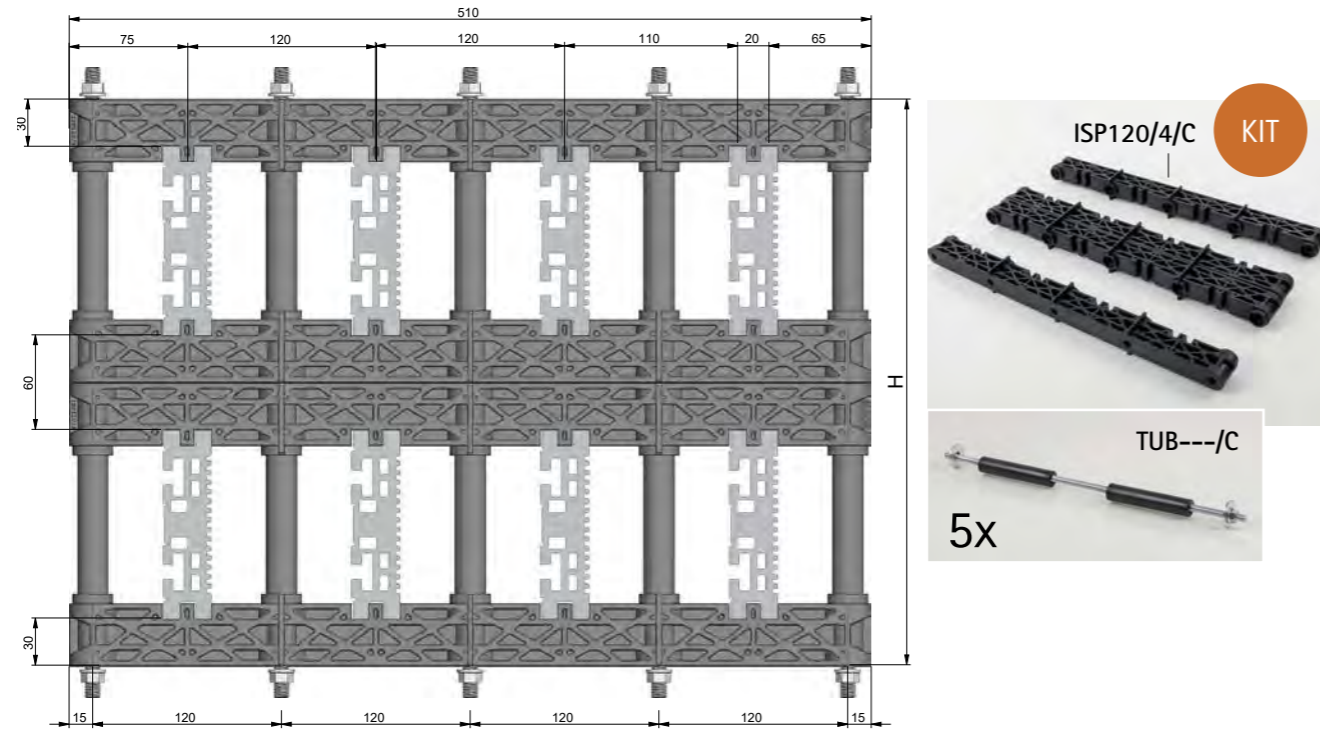
(Mounting distance between busbar holders= 140 mm)
Lower base for applications from 630A up to 4000A

PRODUCT CODE	PACKAGE CONTENT	WEIGHT (KG)	In (A)
ISB414/C	1	1,8	from 630A up to 4000A



DOUBLE-LINE, FOUR-POLE LINEAR BUSBAR HOLDERS FOR SMART-ENERGY PLUS PROFILES (MOUNTING DISTANCE BETWEEN BUSBAR HOLDERS= 120 MM)

Four-pole busbar holders for Smart-Energy Plus profiles from 5000A up to 6300A



PRODUCT CODE	PACKAGE CONTENT	WEIGHT (KG)	SMART-ENERGY PROFILE	PROFILE SIZE (HxTHK)	H (MM)	ΔT 30° C	ΔT 50° C
IS45012/C	cod. ISP120/4/C cod. TUB115/C	4,35	BA25P	120x30	360	5080	6410
IS4630012/C	cod. ISP120/4/C cod. TUB13135/C	4,7	BA32P	150x30	420	6170	7460

MAXIMUM MOUNTING DISTANCE BETWEEN BUSBAR HOLDERS		
Rating (A)	630/800A	1000/1250A
Max. mounting distance	lcc	lcc
1000mm	35 kA	35 kA
950mm	40 kA	40 kA
900mm	45 kA	45 kA
850mm	50 kA	50 kA
800mm	60 kA	60 kA
750mm	65 kA	65 kA
700mm	70 kA	70 kA
650mm	70 kA	70 kA
600mm	75 kA	75 kA
550mm	80 kA	80 kA
500mm	85 kA	85 kA
450mm	90 kA	90 kA
400mm	105 kA	105 kA
Code	IS45012/C	IS4630012/C



BACK PLUS BUSBAR HOLDERS



Polyamide busbar holders for Smart-Energy Plus profiles up to 4000A. The space-saving design allows Back-Plus busbar holders to be installed on the back of the electrical cabinet thus offering the maximum accessibility to the cabinet to work comfortably even in very tight spaces

ADVANTAGES

- Compact design
- High speed of assembly

TECHNICAL SPECIFICATIONS

- Glass-fiber reinforced polyamide 6/6
- Compliance with UL 94-V0 self-extinguishing requirements
- Continuous operating temperature: 113 °C
- Glow wire test: 965 °C
- Colour: Black

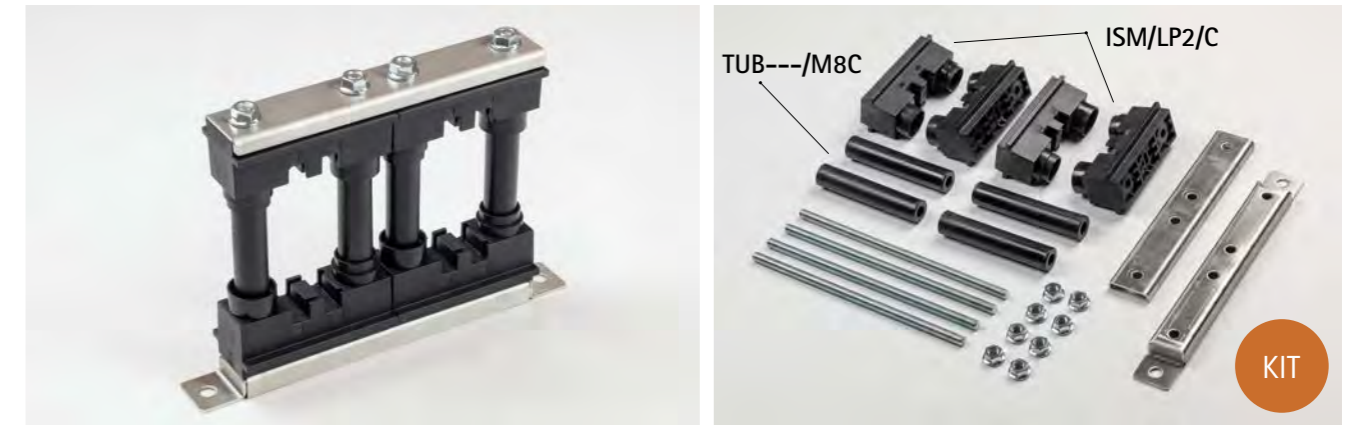


CERTIFICATIONS

B7001848	Verification of the short-circuit withstand of the main circuits	Inom=3200A Icc=105 kA
-----------------	--	--------------------------

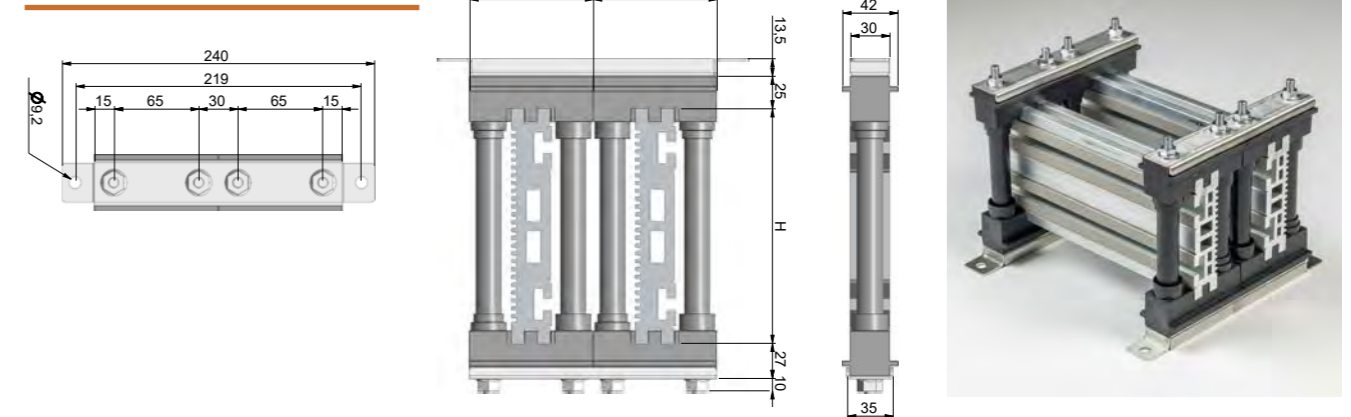
ONE-POLE BACK-PLUS BUSBAR HOLDERS

Single phase Back- Plus busbar holders for Smart-Energy Plus profiles up to 4000A (suitable for profiles arranged side by side)



PRODUCT CODE	PACKAGE CONTENT	WEIGHT (KG)	SMART-ENERGY PROFILE	PROFILE SIZE (HxTHK)	H (MM)	ΔT 30° C	ΔT 50° C
IBP210A/C	cod. ISM/LP2/C cod. TUB304/M8C	2,26	BA10P	50x30	100	1030	1325
IBP212A/C	cod. ISM/LP2/C cod. TUB404/M8C	2,27	BA12P	60x30	110	1329	1774
IBP216A/C	cod. ISM/LP2/C cod. TUB604/M8C	2,3	BA16P	80x30	130	1774	2215
IBP220A/C	cod. ISM/LP2/C cod. TUB804/M8C	2,31	BA20P	100x30	150	2108	2739
IBP225A/C	cod. ISM/LP2/C cod. TUB104/M8C	2,33	BA25P	120x30	170	2581	3253
IBP232A/C	cod. ISM/LP2/C cod. TUB134/M8C	2,35	BA32P	150x30	200	3083	3723
IBP240A/C	cod. ISM/LP2/C cod. TUB164/M8C	2,37	BA40P	180x30	230	3950	4562

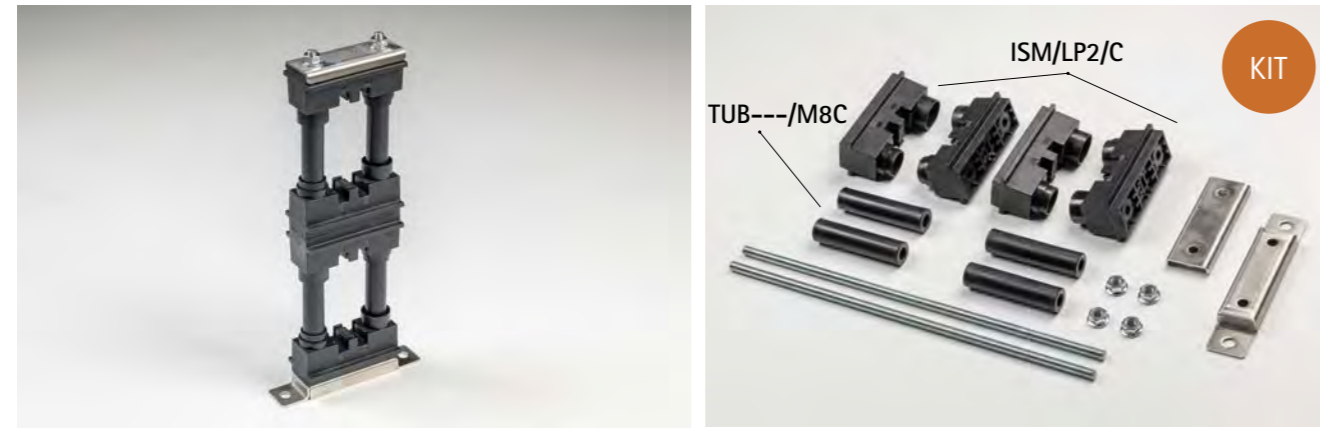
PROFILES ARRANGED SIDE BY SIDE



MAXIMUM MOUNTING DISTANCE BETWEEN BUSBAR HOLDERS							
Rating (A)	630/800/1000A	1250A	1600A	2000A	2500A	3200A	4000A
Max. mounting distance	Icc	Icc	Icc	Icc	Icc	Icc	Icc
1000mm	20 kA	30 kA	35 kA	35 kA	35 kA	35 kA	75 kA
950mm	20 kA	30 kA	35 kA	35 kA	35 kA	35 kA	75 kA
900mm	20 kA	35 kA	40 kA	40 kA	40 kA	40 kA	80 kA
850mm	20 kA	35 kA	45 kA	50 kA	50 kA	50 kA	80 kA
800mm	25 kA	40 kA	50 kA	55 kA	60 kA	60 kA	85 kA
750mm	25 kA	40 kA	55 kA	55 kA	60 kA	60 kA	85 kA
700mm	30 kA	45 kA	55 kA	60 kA	60 kA	60 kA	90 kA
650mm	30 kA	45 kA	55 kA	65 kA	65 kA	65 kA	95 kA
600mm	35 kA	50 kA	65 kA	75 kA	75 kA	75 kA	95 kA
550mm	35 kA	55 kA	70 kA	75 kA	75 kA	75 kA	100 kA
500mm	40 kA	60 kA	75 kA	80 kA	80 kA	80 kA	105 kA
450mm	45 kA	65 kA	80 kA	85 kA	85 kA	85 kA	
400mm	55 kA	75 kA	90 kA	90 kA	90 kA	90 kA	
350mm	60 kA	80 kA	95 kA	95 kA	95 kA	105 kA	
300mm	70 kA	90 kA	105 kA	105 kA	105 kA		
250mm	80 kA	100 kA					
200mm	100 kA						
Code	IBP210A/C	IBP212A/C	IBP216A/C	IBP220A/C	IBP225A/C	IBP232A/C	IBP240A/C

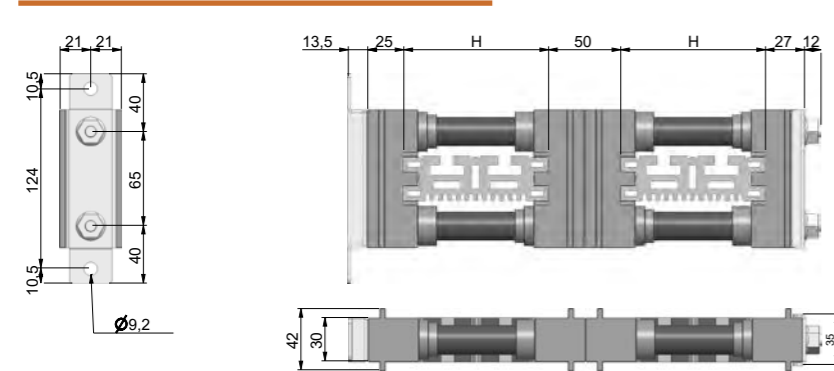
ONE-POLE BACK-PLUS BUSBAR HOLDERS

Single phase Back-Plus busbar holders for Smart-Energy Plus profiles up to 4000A (suitable for profiles arranged one above the other)



PRODUCT CODE	PACKAGE CONTENT	WEIGHT (KG)	SMART-ENERGY PROFILE	PROFILE SIZE (HxTHK)	H (MM)	ln (A)	ΔT 50° C
IBP210/C	cod. ISM/LP2/C cod. TUB230/M8C	2,3	BA10P	50x30	200	1030	1325
IBP212/C	cod. ISM/LP2/C cod. TUB240/M8C	2,4	BA12P	60x30	220	1329	1774
IBP216/C	cod. ISM/LP2/C cod. TUB260/M8C	2,4	BA16P	80x30	260	1774	2215
IBP220/C	cod. ISM/LP2/C cod. TUB280/M8C	2,5	BA20P	100x30	300	1660	2179
IBP225/C	cod. ISM/LP2/C cod. TUB210/M8C	2,7	BA25P	120x30	340	2581	3253
IBP232/C	cod. ISM/LP2/C cod. TUB213/M8C	2,8	BA32P	150x30	400	3083	3723
IBP240/C	cod. ISM/LP2/C cod. TUB216/M8C	2,9	BA40P	180x30	460	3950	4526

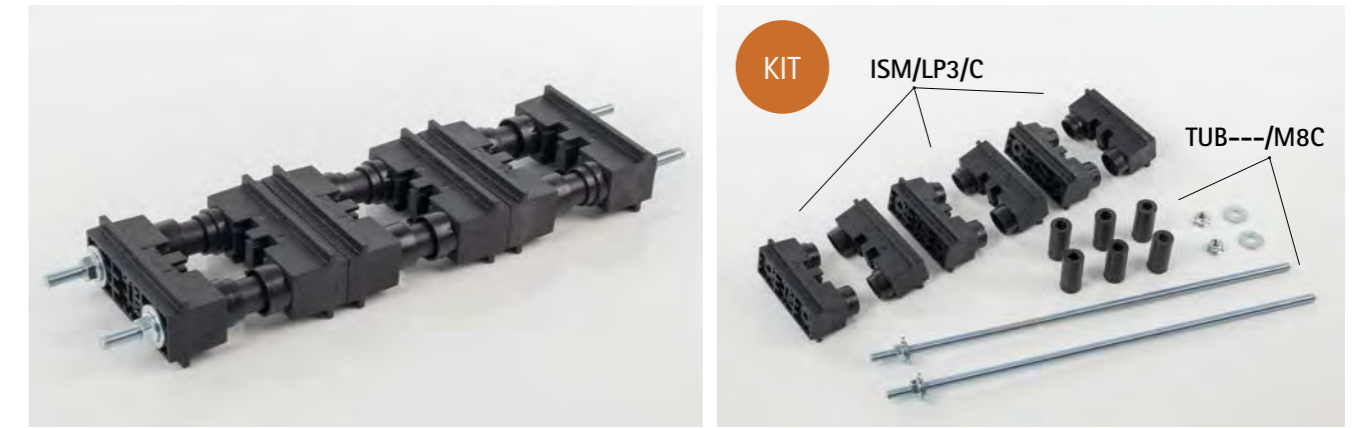
PROFILES ARRANGED ONE ABOVE THE OTHER



MAXIMUM MOUNTING DISTANCE BETWEEN BUSBAR HOLDERS							
Rating (A)	630/800/1000A	1250A	1600A	2000A	2500A	3200A	4000A
Max. mounting distance	lcc	lcc	lcc	lcc	lcc	lcc	lcc
1000mm	35 kA	50 kA	55 kA	60 kA	60 kA	65 kA	75 kA
950mm	35 kA	50 kA	55 kA	60 kA	60 kA	65 kA	75 kA
900mm	35 kA	55 kA	60 kA	65 kA	65 kA	70 kA	80 kA
850mm	40 kA	55 kA	60 kA	65 kA	65 kA	75 kA	80 kA
800mm	40 kA	55 kA	60 kA	65 kA	65 kA	75 kA	85 kA
750mm	45 kA	60 kA	65 kA	70 kA	70 kA	80 kA	85 kA
700mm	50 kA	60 kA	65 kA	75 kA	70 kA	85 kA	90 kA
650mm	50 kA	65 kA	70 kA	75 kA	75 kA	85 kA	95 kA
600mm	55 kA	65 kA	70 kA	75 kA	75 kA	90 kA	95 kA
550mm	60 kA	70 kA	75 kA	80 kA	80 kA	95 kA	100 kA
500mm	65 kA	70 kA	80 kA	85 kA	85 kA	95 kA	105 kA
450mm	75 kA	80 kA	85 kA	90 kA	90 kA	100 kA	
400mm	75 kA	80 kA	90 kA	95 kA	95 kA	105 kA	
350mm	85 kA	90 kA	95 kA	100 kA	100 kA		
300mm	90 kA	95 kA	105 kA	105 kA	105 kA		
250mm	95 kA	105 kA					
200mm	105 kA						
Code	IBP210/C	IBP212/C	IBP216/C	IBP220/C	IBP225/C	IBP232/C	IBP240/C

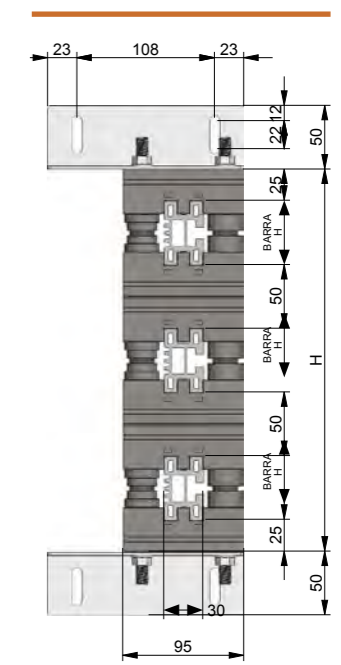
THREE-POLE VERTICAL/HORIZONTAL BACK-PLUS BUSBAR HOLDERS

Three-pole vertical/horizontal rear busbar holders for Smart-Energy Plus profiles up to 4000A

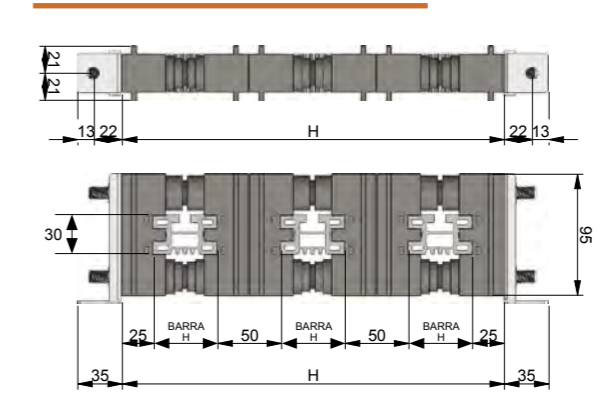


PRODUCT CODE	PACKAGE CONTENT	WEIGHT (KG)	SMART-ENERGY PROFILE	PROFILE SIZE (HxTHK)	H (MM)	ΔT 30° C	ΔT 50° C
IBP310/C	cod. ISM/LP3/C cod. TUB330/M8C	3,4	BA10P	50x30	300	1030	1325
IBP312/C	cod. ISM/LP3/C cod. TUB340/M8C	3,5	BA12P	60x30	330	1329	1774
IBP316/C	cod. ISM/LP3/C cod. TUB360/M8C	3,6	BA16P	80x30	390	1774	2215
IBP320/C	cod. ISM/LP3/C cod. TUB380/M8C	3,7	BA20P	100x30	450	2108	2739
IBP325/C	cod. ISM/LP3/C cod. TUB3130/M8C	3,8	BA25P	120x30	510	2581	3253
IBP332/C	cod. ISM/LP3/C cod. TUB3130/M8C	3,9	BA32P	150x30	600	3083	3723
IBP340/C	cod. ISM/LP3/C cod. TUB3160/M8C	4	BA40P	180x30	690	3950	4562

BARS ARRANGED HORIZONTALLY



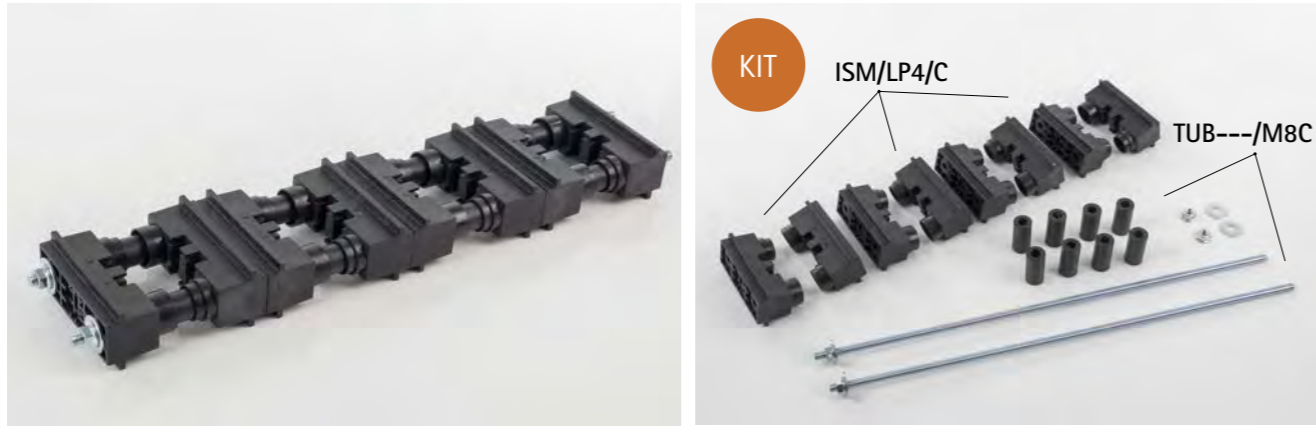
BARS ARRANGED VERTICALLY



MAXIMUM MOUNTING DISTANCE BETWEEN BUSBAR HOLDERS							
Rating (A)	630/800/1000A	1250A	1600A	2000A	2500A	3200A	4000A
Max. mounting distance	lcc	lcc	lcc	lcc	lcc	lcc	lcc
1000mm	35 kA	50 kA	55 kA	60 kA	60 kA	65 kA	75 kA
950mm	35 kA	50 kA	55 kA	60 kA	60 kA	65 kA	75 kA
900mm	35 kA	55 kA	60 kA	65 kA	65 kA	70 kA	80 kA
850mm	40 kA	55 kA	60 kA	65 kA	65 kA	75 kA	80 kA
800mm	40 kA	55 kA	60 kA	65 kA	65 kA	75 kA	85 kA
750mm	45 kA	60 kA	65 kA	70 kA	70 kA	80 kA	85 kA
700mm	50 kA	60 kA	65 kA	75 kA	70 kA	85 kA	90 kA
650mm	50 kA	65 kA	70 kA	75 kA	75 kA	85 kA	95 kA
600mm	55 kA	65 kA	70 kA	75 kA	75 kA	90 kA	95 kA
550mm	60 kA	70 kA	75 kA	80 kA	80 kA	95 kA	100 kA
500mm	65 kA	70 kA	80 kA	85 kA	85 kA	95 kA	105 kA
450mm	75 kA	80 kA	85 kA	90 kA	90 kA	100 kA	
400mm	75 kA	80 kA	90 kA	95 kA	95 kA	105 kA	
350mm	85 kA	90 kA	95 kA	100 kA	100 kA		
300mm	90 kA	95 kA	105 kA	105 kA	105 kA		
250mm	95 kA	105 kA					
200mm	105 kA						
Code	IBP310/C	IBP312/C	IBP316/C	IBP320/C	IBP325/C	IBP332/C	IBP340/C

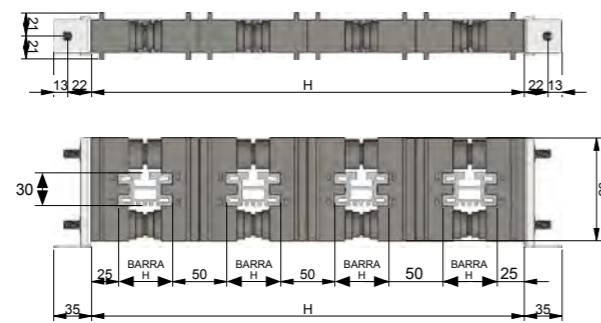
FOUR-POLE VERTICAL/HORIZONTAL BACK-PLUS BUSBAR HOLDERS

Four-pole vertical/horizontal rear busbar holders for Smart-Energy Plus profiles up to 4000A

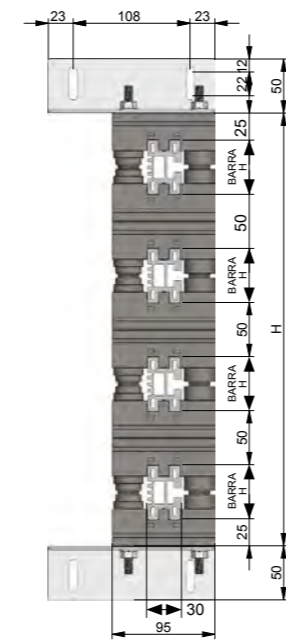


PRODUCT CODE	PACKAGE CONTENT	WEIGHT (KG)	SMART ENERGY PROFILE	PROFILE SIZE (HxTHK)	H (MM)	In (A)	ΔT 50° C
IBP410/C	cod. ISM/LP4/C cod. TUB430/M8C	4,3	BA10P	50x30	400	1030	1325
IBP412/C	cod. ISM/LP4/C cod. TUB440/M8C	4,6	BA12P	60x30	440	1329	1774
IBP416/C	cod. ISM/LP4/C cod. TUB460/M8C	4,7	BA16P	80x30	520	1774	2215
IBP420/C	cod. ISM/LP4/C cod. TUB480/M8C	4,75	BA20P	100x30	600	1660	2179
IBP425/C	cod. ISM/LP4/C cod. TUB4100/M8C	4,78	BA25P	120x30	680	2581	3253
IBP432/C	cod. ISM/LP4/C cod. TUB4130/M8C	4,90	BA32P	150x30	800	3083	3723
IBP440/C	cod. ISM/LP4/C cod. TUB4160/M8C	5	BA40P	180x30	920	3950	4526

BARS ARRANGED VERTICALLY



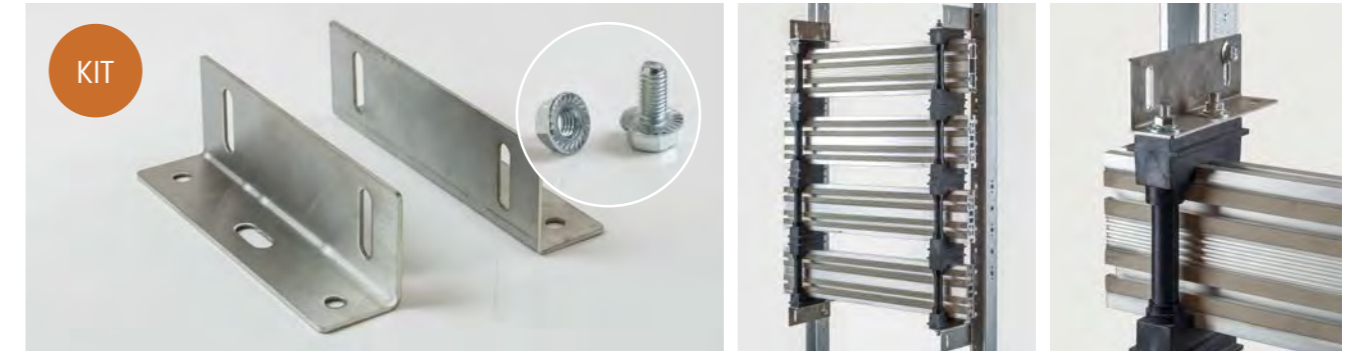
BARS ARRANGED HORIZONTALLY



MAXIMUM MOUNTING DISTANCE BETWEEN BUSBAR HOLDERS							
Rating (A)	630/800/1000A	1250A	1600A	2000A	2500A	3200A	4000A
Max. mounting distance	lcc	lcc	lcc	lcc	lcc	lcc	lcc
1000mm	35 kA	50 kA	55 kA	60 kA	60 kA	65 kA	75 kA
950mm	35 kA	50 kA	55 kA	60 kA	60 kA	65 kA	75 kA
900mm	35 kA	55 kA	60 kA	65 kA	65 kA	70 kA	80 kA
850mm	40 kA	55 kA	60 kA	65 kA	65 kA	75 kA	80 kA
800mm	40 kA	55 kA	60 kA	65 kA	65 kA	75 kA	85 kA
750mm	45 kA	60 kA	65 kA	70 kA	70 kA	80 kA	85 kA
700mm	50 kA	60 kA	65 kA	75 kA	75 kA	85 kA	90 kA
650mm	50 kA	65 kA	70 kA	75 kA	75 kA	85 kA	95 kA
600mm	55 kA	65 kA	70 kA	75 kA	75 kA	90 kA	95 kA
550mm	60 kA	70 kA	75 kA	80 kA	80 kA	95 kA	100 kA
500mm	65 kA	70 kA	80 kA	85 kA	85 kA	95 kA	105 kA
450mm	75 kA	80 kA	85 kA	90 kA	90 kA	100 kA	
400mm	75 kA	80 kA	90 kA	95 kA	95 kA	105 kA	
350mm	85 kA	90 kA	95 kA	100 kA	100 kA		
300mm	90 kA	95 kA	105 kA	105 kA			
250mm	95 kA	105 kA					
200mm	105 kA						
Code	IBP410/C	IBP412/C	IBP416/C	IBP420/C	IBP425/C	IBP432/C	IBP440/C

BRACKETS FOR HORIZONTAL BACK- PLUS BUSBAR HOLDERS

Stainless steel brackets for Back-Plus busbar holders (suitable for profiles arranged horizontally)



PRODUCT CODE	PACKAGE CONTENT	WEIGHT (KG)
SHLB/C	4 brackets + 4 screws/nuts	0,8

BRACKETS FOR VERTICAL BACK- PLUS BUSBAR HOLDERS

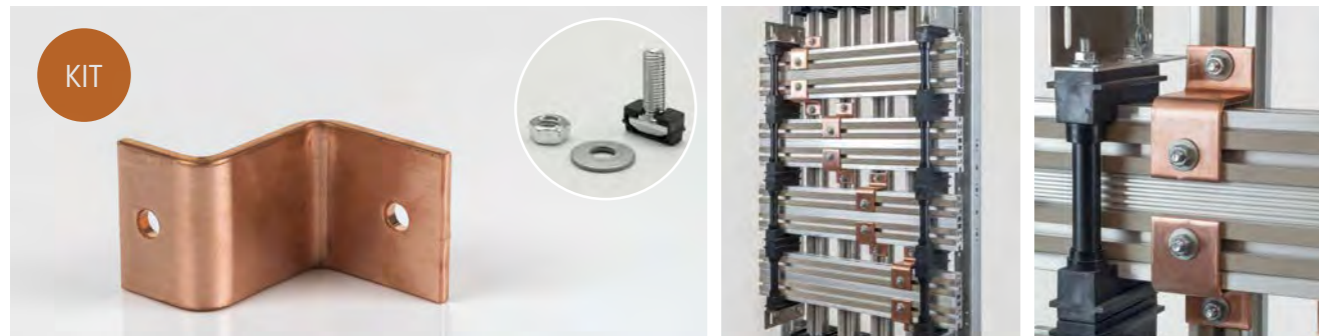
Stainless steel brackets for Back-Plus busbar holders (suitable for profiles arranged vertically)



PRODUCT CODE	PACKAGE CONTENT	WEIGHT (KG)
SVLB/C	6 brackets + 6 screws/nuts	0,65

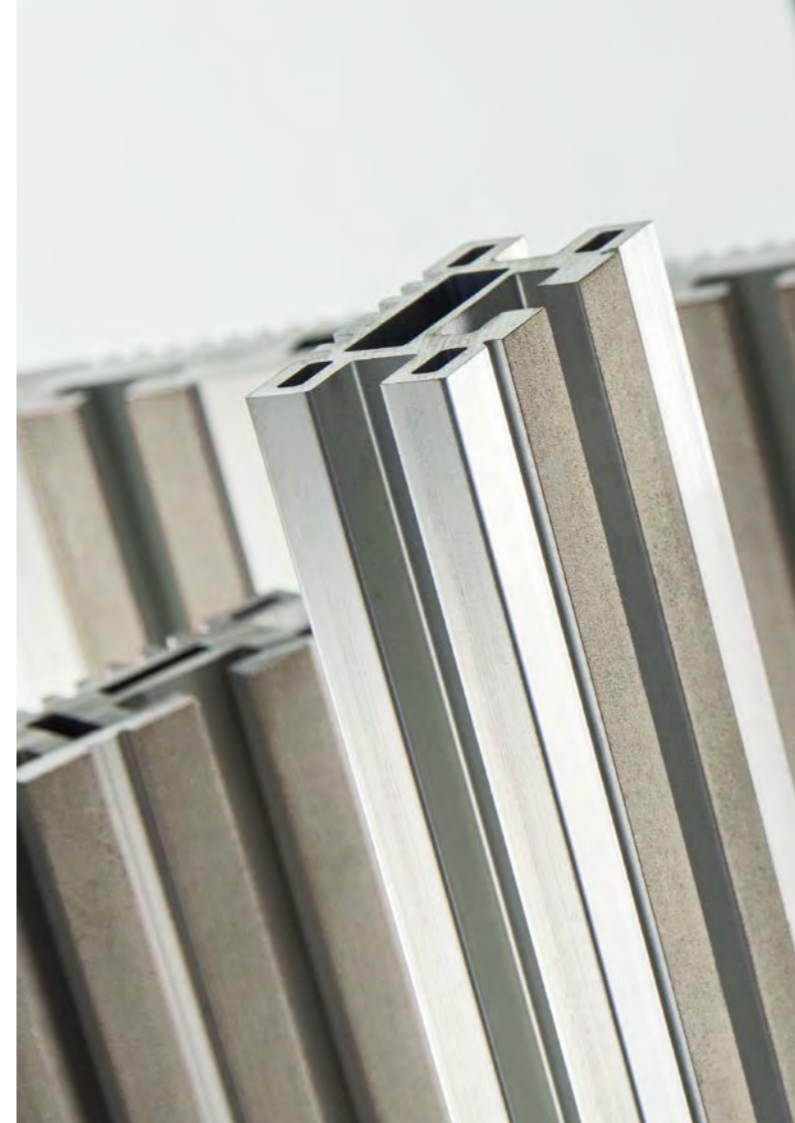
COPPER JOINTS FOR BACK-PLUS BUSBAR SYSTEM

Copper joints for the connection between three-pole and four-pole Back-Plus busbar systems (suitable for profiles arranged horizontally or vertically)



PRODUCT CODE	PACKAGE CONTENT	WEIGHT (KG)	N.POLES	IN (A)	ALUMINIUM CROSS SECTION	DIM.
GBP3/C	3 joints + 6 screws/nuts	0,8	3	from 630A up to 4000A	50x5	55x60x40
GBP4/C	4 joints + 8 screws/nuts	1	4	from 630A up to 4000A	50x5	55x60x40

1 Kit per bar for applications up to 630A | 2 Kits per bar for applications ≥800A



ALUMINIUM UNIVERSAL BUSBAR SYSTEMS UP TO 6300A

Aluminium profiles suitable for applications up to 6300A. The anodizing treatment as well as the nickel-contact surface make the profile resistant to external forces and thus suitable for use in harsh environments. All profiles have been subjected to tests at CESI Institute.

ADVANTAGES

- Cost-saving solution
- Significant wiring times reduction
- Tool-free system
- Lightweight profiles
- Resistant to harsh environments

TECHNICAL SPECIFICATIONS

- Anodized aluminium profile
- Nickel contact surface (Thickness 100 micron)



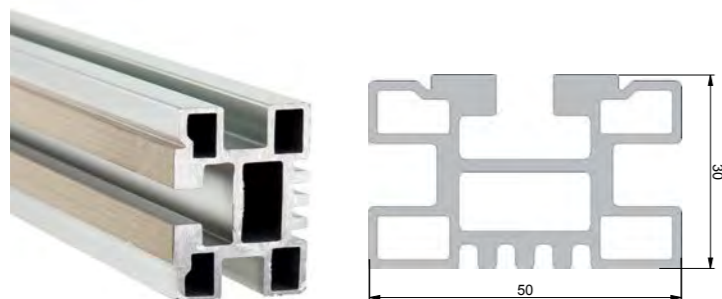
CERTIFICATIONS

B5002265	Verification of the short-circuit withstand of the main circuits Verification of the efficiency of the protection circuit Verification of the short-circuit withstand of the protection circuit	Inom=6300A Icc=105 kA
B7001848	Verification of the short-circuit withstand of the main circuits	Inom=3200A Icc=105 kA

SMART-ENERGY PLUS PROFILE (630A /800A /1000A)

Anodized aluminium profile with nickel contact surface (cold spray technology) up to 630A /800A /1000A

*THE LENGTH OF THE PROFILES CAN BE CUSTOMISED UPON REQUEST

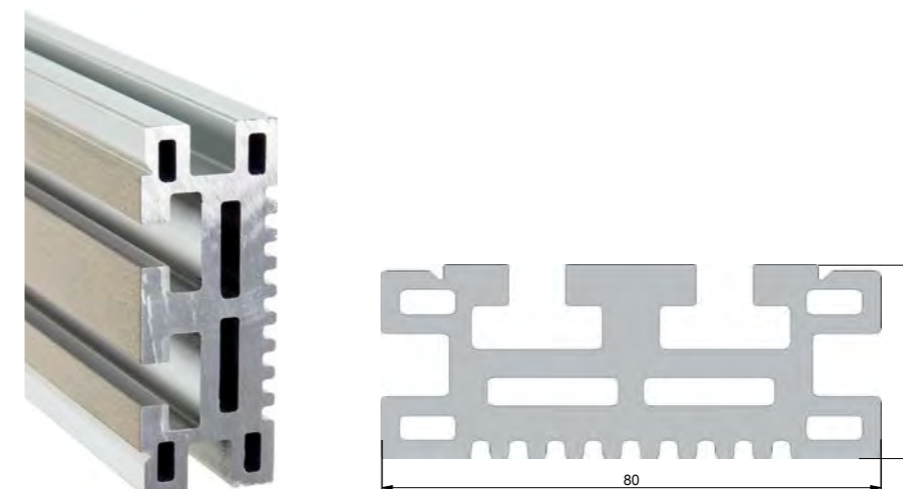


PRODUCT CODE	PACKAGE CONTENT	WEIGHT (KG)	THK (mm)	H (mm)	L (mm)	ΔT 30° C	ΔT 50° C
BA10P/1830	1	2,9	30	50	1830	1030	1325
BA10P/2325	1	3,6	30	50	2325	1030	1325

SMART-ENERGY PLUS PROFILE (1600 A)

Anodized aluminium profile with nickel contact surface (cold spray technology) up to 1600A

*THE LENGTH OF THE PROFILES CAN BE CUSTOMISED UPON REQUEST

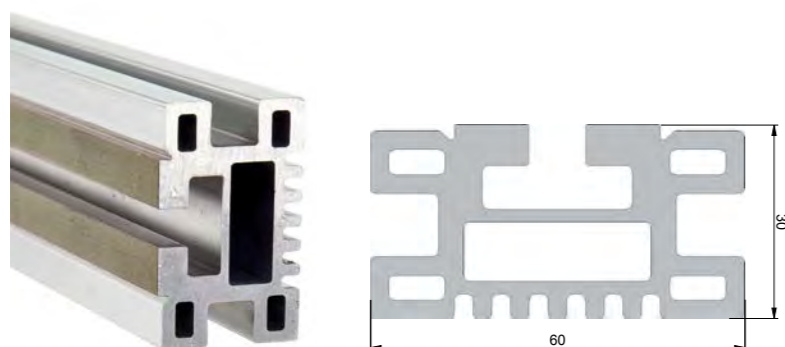


PRODUCT CODE	PACKAGE CONTENT	WEIGHT (KG)	THK (mm)	H (mm)	L (mm)	ΔT 30° C	ΔT 50° C
BA16P/1830	1	6,4	30	80	1830	1774	2215
BA16P/2325	1	8,9	30	80	2325	1774	2215

SMART-ENERGY PLUS PROFILE (1250 A)

Anodized aluminium profile with nickel contact surface (cold spray technology) up to 1250A

*THE LENGTH OF THE PROFILES CAN BE CUSTOMISED UPON REQUEST

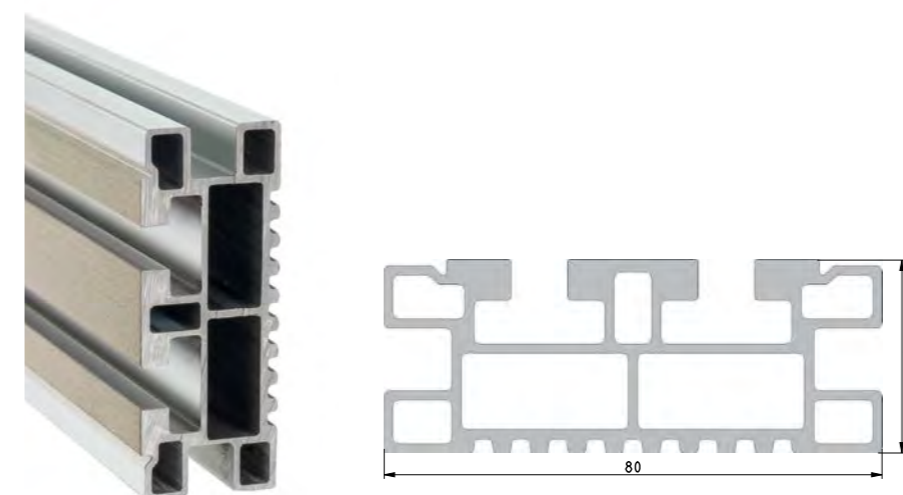


PRODUCT CODE	PACKAGE CONTENT	WEIGHT (KG)	THK (mm)	H (mm)	L (mm)	ΔT 30° C	ΔT 50° C
BA12P/1830	1	5,5	30	60	1830	1329	1774
BA12P/2325	1	7	30	60	2325	1329	1774

SMART-ENERGY PLUS PROFILE (1600 A) – NEUTRAL BAR

Anodized aluminium profile with nickel contact surface (cold spray technology) up to 1600A

*THE LENGTH OF THE PROFILES CAN BE CUSTOMISED UPON REQUEST

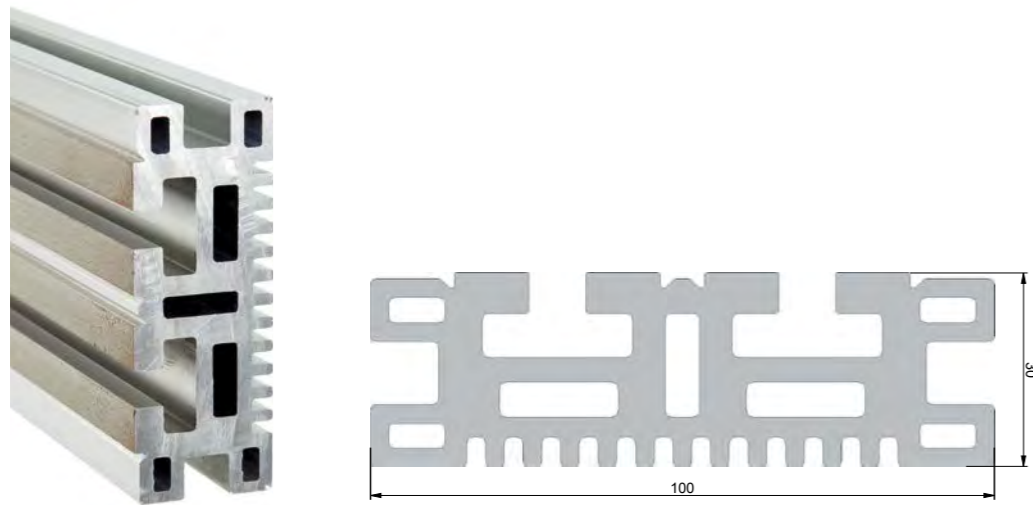


PRODUCT CODE	PACKAGE CONTENT	WEIGHT (KG)	THK (mm)	H (mm)	L (mm)	ΔT 30° C	ΔT 50° C
BA16P/5/1830	1	1,77	30	80	1830	1416	1785
BA16P/5/2325	1	2,21	30	80	2325	1416	1785

SMART-ENERGY PLUS PROFILE (2000 A)

Anodized aluminium profile with nickel contact surface (cold spray technology) up to 2000A

*THE LENGTH OF THE PROFILES CAN BE CUSTOMISED UPON REQUEST

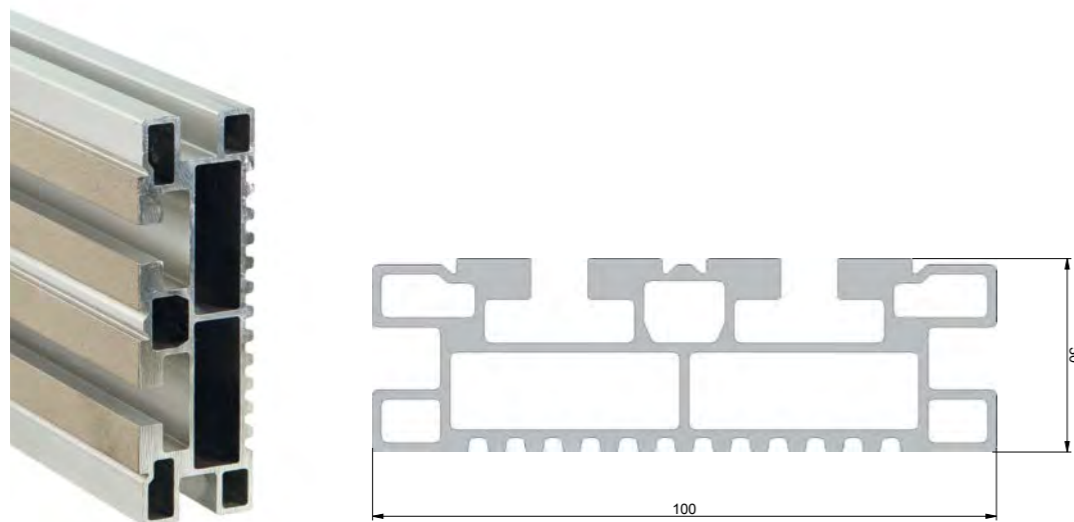


PRODUCT CODE	PACKAGE CONTENT	WEIGHT (KG)	THK (mm)	H (mm)	L (mm)	ΔT 30° C	ΔT 50° C
BA20P/1830	1	8,8	30	100	1830	2108	2739
BA20P/2325	1	10,8	30	100	2325	2018	2739

SMART-ENERGY PLUS PROFILE (2000 A) – NEUTRAL BAR

Anodized aluminium profile with nickel contact surface (cold spray technology) up to 2000A

*THE LENGTH OF THE PROFILES CAN BE CUSTOMISED UPON REQUEST

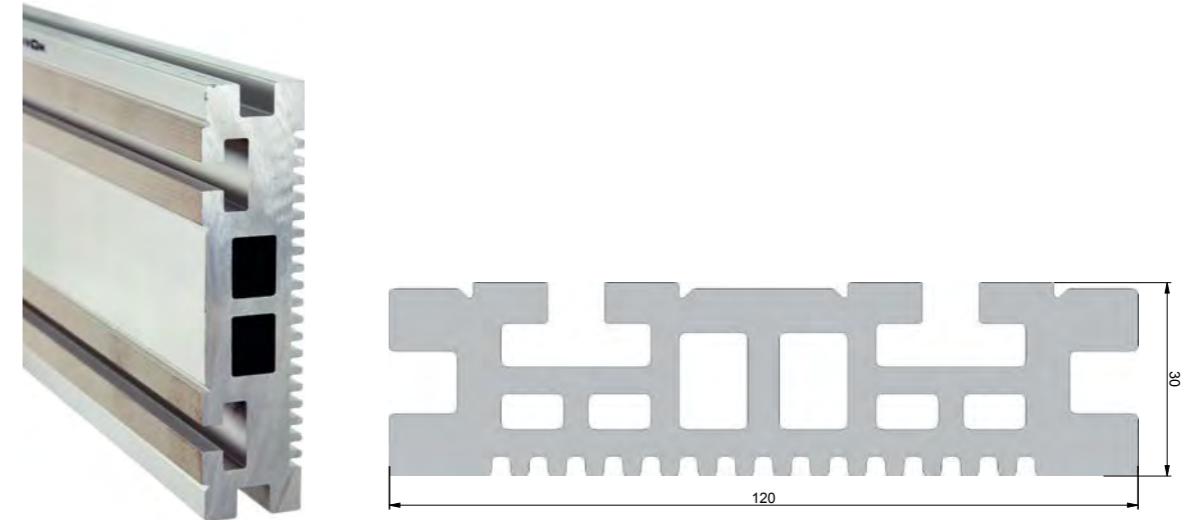


PRODUCT CODE	PACKAGE CONTENT	WEIGHT (KG)	THK (mm)	H (mm)	L (mm)	ΔT 30° C	ΔT 50° C
BA20P/5/1830	1	4,4	30	100	1830	1660	2197
BA20P/5/2325	1	5,4	30	100	2325	1660	2197

SMART-ENERGY PLUS PROFILE (2500 A)

Anodized aluminium profile with nickel contact surface (cold spray technology) up to 2500A

*THE LENGTH OF THE PROFILES CAN BE CUSTOMISED UPON REQUEST

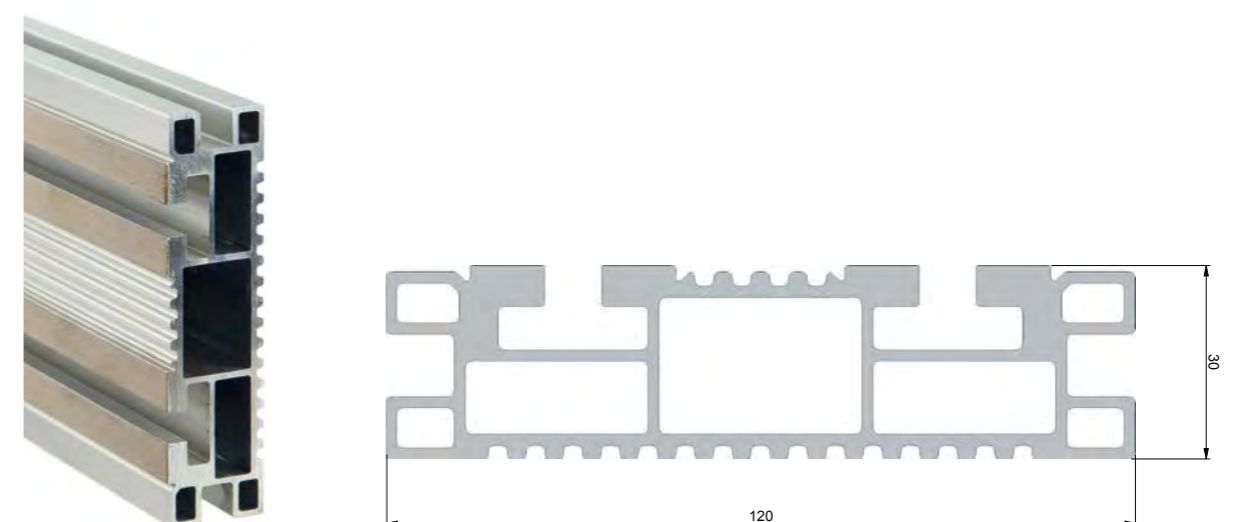


PRODUCT CODE	PACKAGE CONTENT	WEIGHT (KG)	THK (mm)	H (mm)	L (mm)	ΔT 30° C	ΔT 50° C
BA25P/1830	1	11,2	30	120	1830	2581	3253
BA25P/2325	1	14,3	30	120	2325	2581	3253

SMART-ENERGY PLUS PROFILE (2500 A) – NEUTRAL BAR

Anodized aluminium profile with nickel contact surface (cold spray technology) up to 2500A

*THE LENGTH OF THE PROFILES CAN BE CUSTOMISED UPON REQUEST

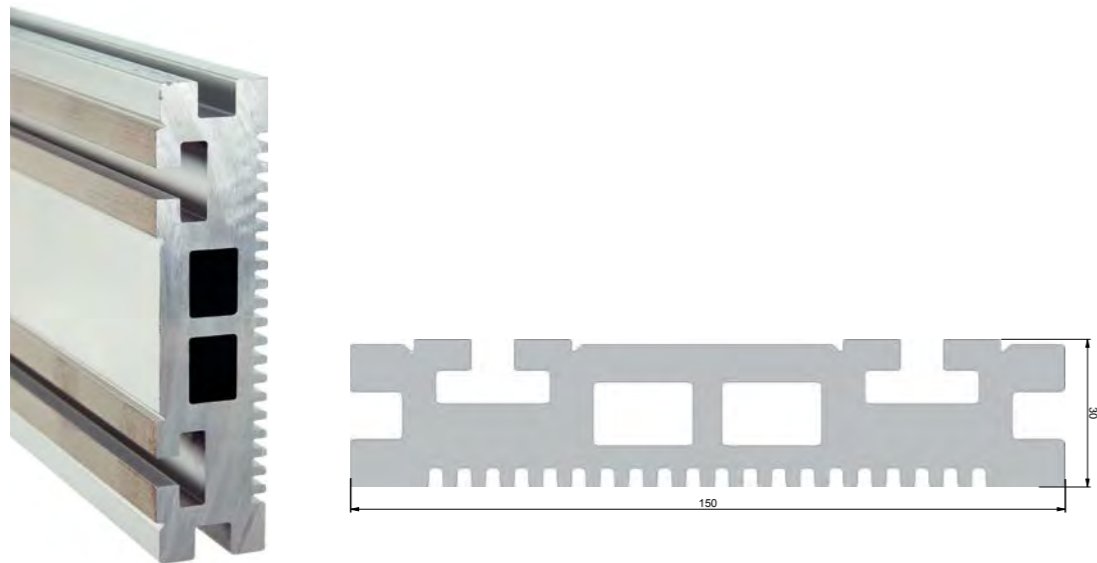


PRODUCT CODE	PACKAGE CONTENT	WEIGHT (KG)	THK (mm)	H (mm)	L (mm)	ΔT 30° C	ΔT 50° C
BA25P/5/1830	1	6	30	120	1830	2022	2701
BA25P/5/2325	1	7,7	30	120	2325	2022	2701

SMART-ENERGY PLUS PROFILE (3200 A)

Anodized aluminium profile with nickel contact surface (cold spray technology) up to 3200A

*THE LENGTH OF THE PROFILES CAN BE CUSTOMISED UPON REQUEST

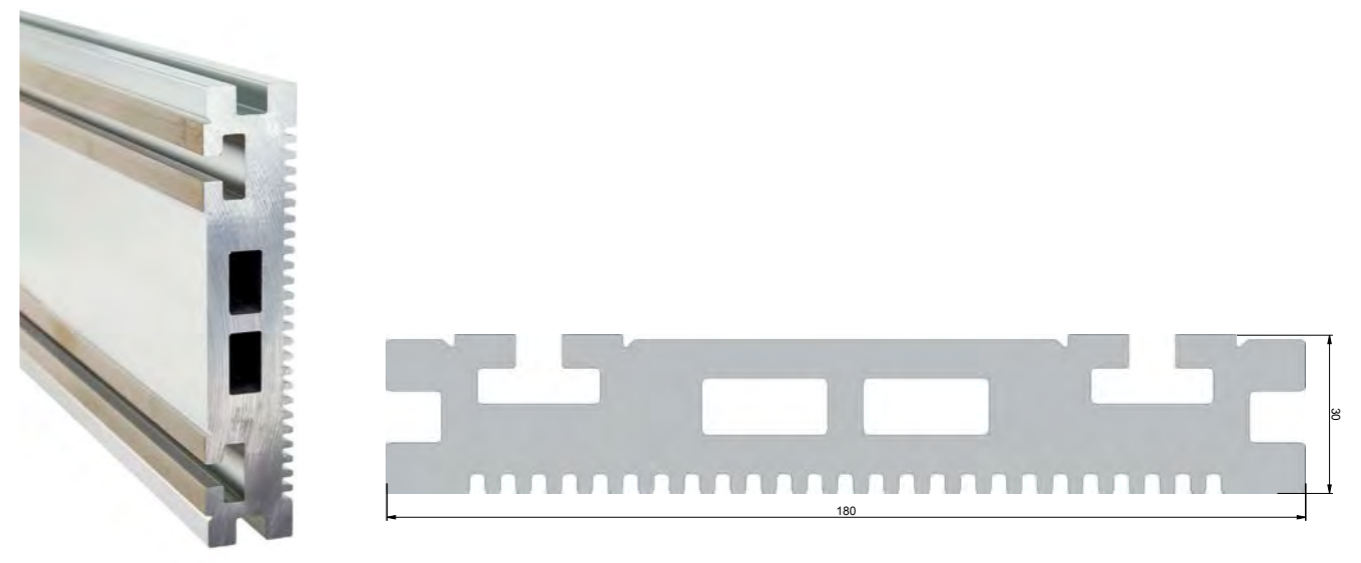


PRODUCT CODE	PACKAGE CONTENT	WEIGHT (KG)	THK (mm)	H (mm)	L (mm)	ΔT 30° C	ΔT 50° C
BA32P/1830	1	15,2	30	150	1830	3083	3723
BA32P/2325	1	19,4	30	150	2325	3083	3723

SMART-ENERGY PLUS PROFILE (4000 A)

Anodized aluminium profile with nickel contact surface (cold spray technology) up to 4000A

*THE LENGTH OF THE PROFILES CAN BE CUSTOMISED UPON REQUEST

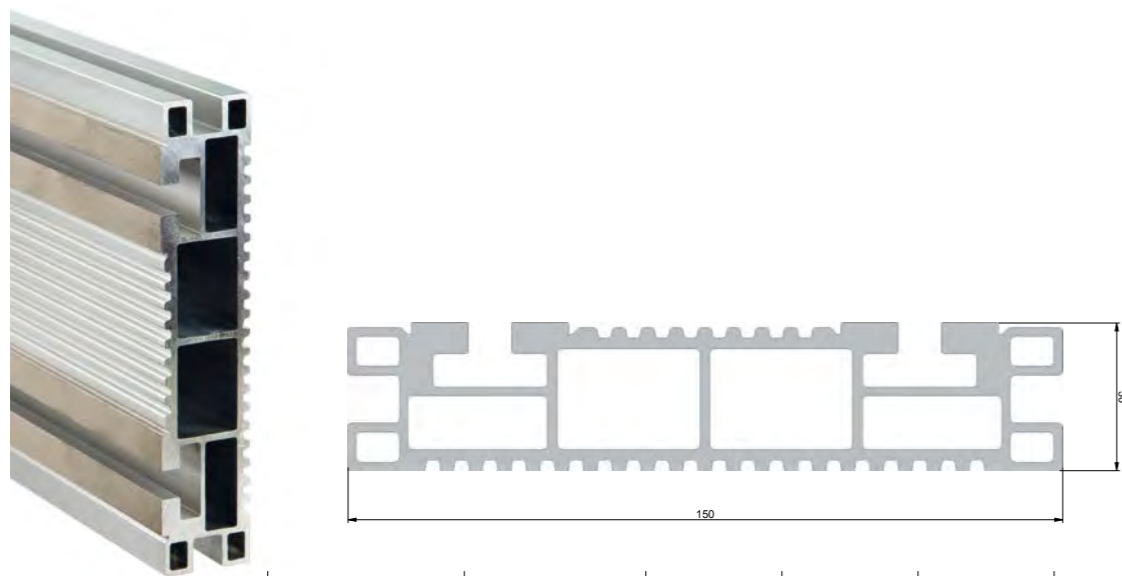


PRODUCT CODE	PACKAGE CONTENT	WEIGHT (KG)	THK (mm)	H (mm)	L (mm)	ΔT 30° C	ΔT 50° C
BA40P/1830	1	19,5	30	180	1830	3950	4562
BA40P/2325	1	24,7	30	180	2325	3950	4562

SMART-ENERGY PLUS PROFILE (3200 A) –NEUTRAL BAR

Anodized aluminium profile with nickel contact surface (cold spray technology) up to 3200A

*THE LENGTH OF THE PROFILES CAN BE CUSTOMISED UPON REQUEST

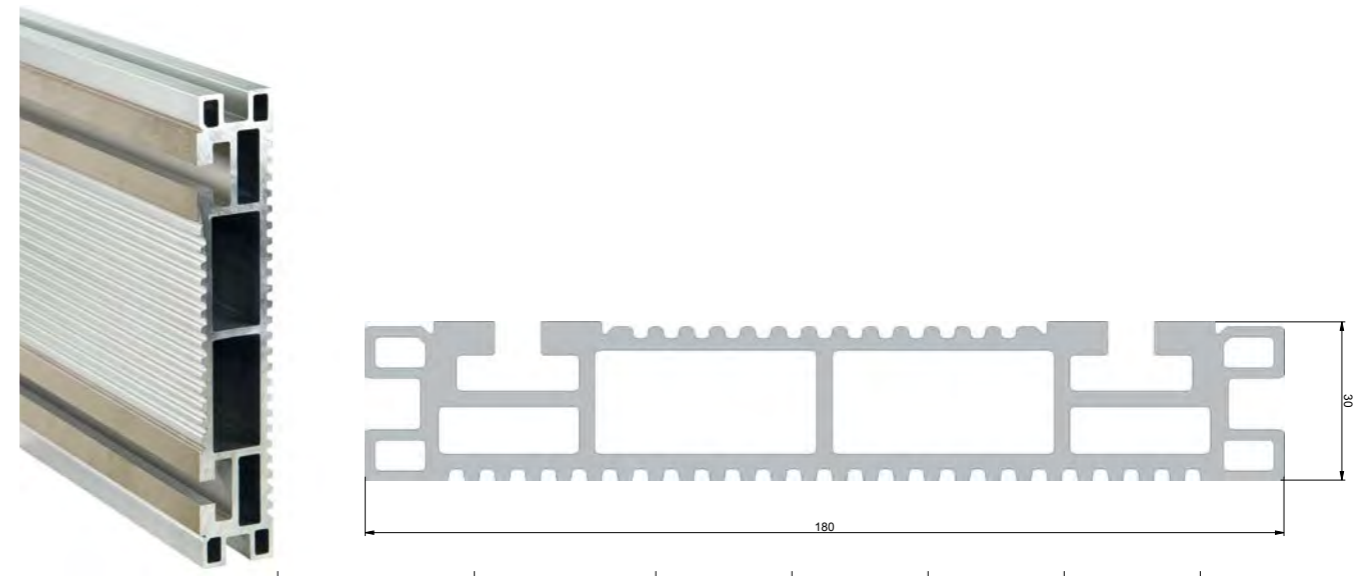


PRODUCT CODE	PACKAGE CONTENT	WEIGHT (KG)	THK (mm)	H (mm)	L (mm)	ΔT 30° C	ΔT 50° C
BA32P/5/1830	1	7,7	30	150	1830	2609	3138
BA32P/5/2325	1	9,8	30	150	2325	2609	3138

SMART-ENERGY PLUS PROFILE (4000 A) –NEUTRAL BAR

Anodized aluminium profile with nickel contact surface (cold spray technology) up to 4000A

*THE LENGTH OF THE PROFILES CAN BE CUSTOMISED UPON REQUEST



PRODUCT CODE	PACKAGE CONTENT	WEIGHT (KG)	THK (mm)	H (mm)	L (mm)	ΔT 30° C	ΔT 50° C
BA40P/5/1830	1	10	30	180	1830	3303	3562
BA40P/5/2325	1	13	30	180	2325	3303	3562

ALUMINIUM JOINT FOR SMART ENERGY PLUS PROFILES

Three-pole or four-pole tin-plated aluminum joints suitable for connections between Smart-Energy Plus profiles up to 4000A. The joints have been designed to perfectly fit all combinations between horizontal and vertical Smart-Energy Plus profiles.

ADVANTAGES

- Maximum compactness
- High speed of assembly
- Versatile design for a wide range of applications

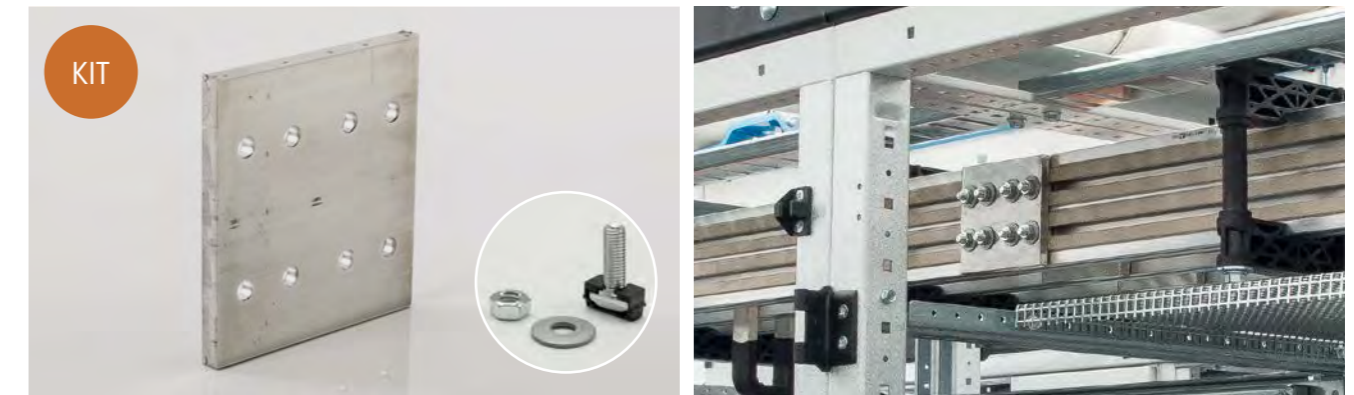
TECHNICAL SPECIFICATIONS

- Tin-plated aluminium joints



ALUMINIUM JOINTS FOR THREE-POLES/ FOUR-POLES PROFILES (PROFILES ARRANGED HORIZONTALLY)

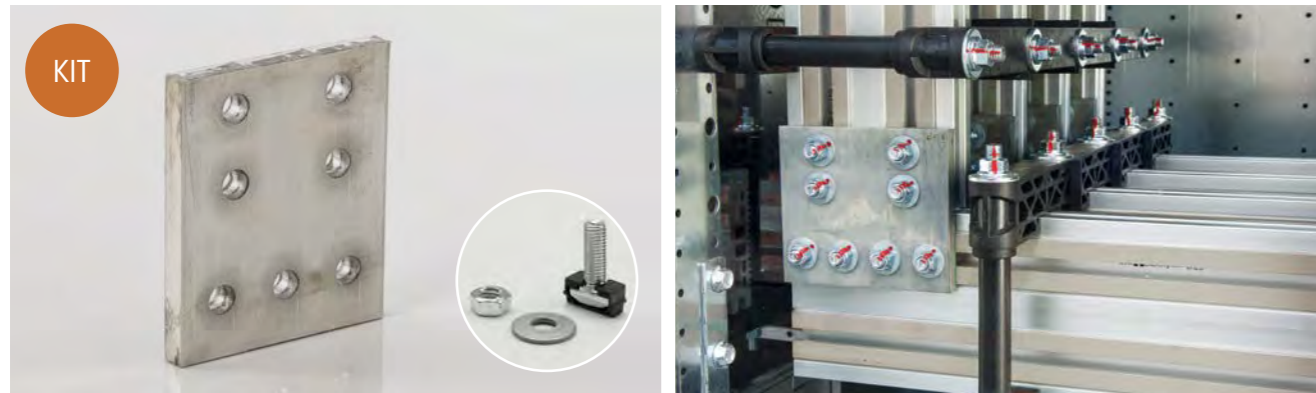
Tin-plated aluminium joints for the connection between Smart-Energy Plus profiles from 630A up to 4000A (Suitable for profiles arranged horizontally).



PRODUCT CODE	PACKAGE CONTENT	WEIGHT (KG)	N.POLES	IN (A)	ALUMINIUM CROSS SECTION	LENGTH
GOP123/C	3 joints + 12 screws / nuts	1,45	3	630 / 800 / 1000 / 1250	60x10	110
GOP124/C	4 joints + 16 screws / nuts	1,9	4	630 / 800 / 1000 / 1250	60x10	110
GOP163/C	3 joints + 24 screws / nuts	2,5	3	1600	80x10	110
GOP164/C	4 joints + 32 screws / nuts	3,35	4	1600	80x10	110
GOP203/C	3 joints + 24 screws / nuts	2,7	3	2000	100x10	110
GOP204/C	4 joints + 32 screws / nuts	3,6	4	2000	100x10	110
GOP253/C	3 joints + 24 screws / nuts	2,9	3	2500	120x10	110
GOP254/C	4 joints + 32 screws / nuts	3,8	4	2500	120x10	110
GOP323/C	6 joints + 48 screws / nuts	3,25	3	3200	160x10	110
GOP324/C	8 joints + 64 screws / nuts	4,3	4	3200	160x10	110
GOP403/C	6 joints + 48 screws / nuts	3,2	3	4000	160x10	110
GOP404/C	8 joints + 64 screws / nuts	4,3	4	4000	160x10	100

ALUMINIUM JOINTS FOR THREE-POLE / FOUR-POLE PROFILES (PROFILES ARRANGED VERTICALLY OR HORIZONTALLY)

Tin-plated aluminium joints for the connection between Smart-Energy Plus profiles form 630A up to 4000A
(Suitable for profiles arranged vertically or horizontally)



PRODUCT CODE	PACKAGE CONTENT	WEIGHT (KG)	N.POLES	IN (A)	ALUMINIUM CROSS SECTION	LENGTH
GVP123/C	3 joints + 12 screws / nuts	1,5	3	1250	60x10	105
GVP124/C	4 joints + 16 screws / nuts	1,95	4	1250	60x10	105
GVP163/C	3 joints + 24 screws / nuts	2,47	3	1600	80x10	105
GVP164/C	4 joints + 32 screws / nuts	3,25	4	1600	80x10	105
GVP203/C	3 joints + 24 screws / nuts	2,7	3	2000	100x10	105
GVP204/C	4 joints + 32 screws / nuts	3,5	4	2000	100x10	105
GVP253/C	3 joints + 24 screws / nuts	2,85	3	2500	120x10	105
GVP254/C	4 joints + 32 screws / nuts	3,76	4	2500	120x10	105
GVP323/C	6 joints + 48 screws / nuts	3,20	3	3200	160x10	110
GVP324/C	8 joints + 64 screws / nuts	4,3	4	3200	160x10	110
GVP403/C	6 joints + 48 screws / nuts	3,3	3	4000	160x10	115
GVP404/C	8 joints + 64 screws / nuts	4,4	4	4000	160x10	115

JOINTS FOR AIR CIRCUIT BREAKER CONNECTIONS

Tin-plated aluminium joints for the connection of air circuit breakers up to 3200A (3-pole/ 4-pole)



PRODUCT CODE	PACKAGE CONTENT	WEIGHT (KG)	N.POLES	CROSS SECTION OF THE CONNECTION BAR	IN (A)	ALUMINIUM CROSS SECTION	LENGTH
GC163/C	3 joints + 9 screws / nuts	1,35	3	60x10	1600A	100x10	100
GC164/C	4 joints + 12 screws / nuts	1,6	4	60x10	1600A	100x10	100
GC203/C	3 joints + 9 screws / nuts	1,7	3	80x10	2000A	120x10	105
GC204/C	4 joints + 12 screws / nuts	2,1	4	80x10	2000A	120x10	105
GC253/C	3 joints + 9 screws / nuts	1,7	3	100x10	2500A	120x10	105
GC254/C	4 joints + 12 screws / nuts	2,3	4	100x10	2500A	120x10	105
GC323/C	3 joints + 9 screws / nuts	1,4	3	120x10	3200A	180x10	105
GC324/C	4 joints + 12 screws / nuts	1,6	4	120x10	3200A	180x10	105

**** NOTE: FOR THE CONNECTION OF A 4000A AIR CIRCUIT BREAKER USE No. 02 JOINTS**

ALUBAR ALUMINIUM BARS



Tin-plated aluminium bars suitable for circuit breakers connections, circuit breaker terminals extension and connections to trunking systems terminal elements. The tin-plating process allows the contact between ALUBAR bars and the nickel contact surface of Smart-Energy Basic and Smart-Energy Plus profiles. ALUBAR bars are resistant to external forces and thus suitable for use in harsh environments, they can be punched and bended likewise flat copper bars. Alubar bars have been subjected to tests at IPH Institute.

ADVANTAGES

- Cost-saving solution
- Lightweight bars
- Resistant to harsh environments

TECHNICAL SPECIFICATIONS

- Tin-plated aluminium bar

ALUBAR BARS UP TO 6300A

Tin-plated aluminium bars suitable for circuit breakers connections, circuit breaker terminals extension and connections to trunking systems terminal elements.

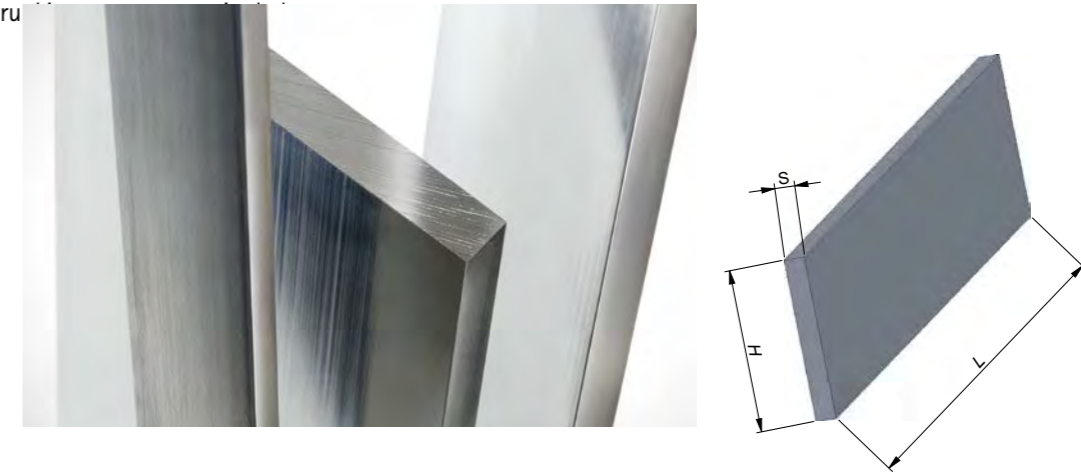


TABLE OF AMPACITIES (A) BASED ON TEMPERATURE RISE ΔT AS PER DIN 43671 REFERENCE ROOM TEMPERATURE 35 °C						NUMBER OF BARS IN PARAL/LEL ΔT 35° C				NUMBER OF BARS IN PARAL/LEL ΔT 50° C			
PRODUCT CODE	PACKAGE CONTENT	WEIGHT (kg)	H (mm)	THK (mm)	L (mm)	BAR	BAR	BAR	BAR	BAR	BAR	BAR	BAR
AL/20103000	1	1,65	20	10	3000	331	/	/	/	436	/	/	/
AL/30103000	1	2,43	30	10	3000	444	/	/	/	587	/	/	/
AL/30153000	1	3,65	30	15	3000	573	/	/	/	757	/	/	/
AL/40123000	1	3,9	40	12	3000	620	1154	/	/	818	1508	/	/
AL/50103000	1	4,15	50	10	3000	666	1208	/	/	879	1579	/	/
AL/50123000	1	4,9	50	12	3000	739	1348	1860	/	975	1761	2431	/
AL/50153000	1	6,07	50	15	3000	840	1543	2048	/	1109	1778	2705	/
AL/60103000	1	4,95	60	10	3000	773	1388	1937	/	1020	1814	2531	/
AL/60123000	1	5,9	60	12	3000	854	1538	2101	/	1127	2010	2745	/
AL/60153000	1	7,3	60	15	3000	967	1745	2298	/	1277	2046	2871	/
AL/80103000	1	6,5	80	10	3000	982	1718	2377	/	1296	2244	3105	/
AL/80123000	1	7,9	80	12	3000	1079	1892	2559	/	1424	2473	3343	/
AL/100103000	1	8,23	100	10	3000	1188	2047	2786	/	1568	2675	3640	/
AL/100123000	1	9,7	100	12	3000	1299	2240	2986	/	1715	2927	3903	/
AL/100153000	1	12	100	15	3000	1448	2496	3215	/	1911	3295	4244	/
AL/120103000	1	9,9	120	10	3000	1388	2357	3195	3924	1832	3079	4175	5180
AL/120123000	1	11,8	120	12	3000	1513	2569	3410	4142	1997	3356	4456	5468
AL/160103000	1	13	160	10	3000	1777	2956	3994	4813	2345	3862	5219	6353



CERTIFICATIONS

B6004584	Verification of the short-circuit withstand of the main circuits	Inom=6300A Icc=105 kA
-----------------	--	--------------------------

SMART-ENERGY COPPER
UNIVERSAL
COPPER
BUSBAR SYSTEMS
UP TO 6300A



Alcu[®]
SYSTEM

LINEAR BUSBAR HOLDERS FOR SMART ENERGY COPPER PROFILES



Linear polyamide busbar holders for Smart-Energy Plus and Smart-Energy Copper profiles or flat copper bars up to 4000A (Single-line busbar holder) and up to 6300A (Double-line busbar holder). The very simple pattern of consisting of two identical pieces offers maximum accessibility to the cabinet, making wiring quick and easy. The space-saving design allows Linear busbar holders to be installed on the back, on the side or at the top of the electrical cabinet.

ADVANTAGES

- High speed of assembly
- Versatile design for a wide range of applications
- High- strength solution

TECHNICAL SPECIFICATIONS

- Glass-fiber reinforced polyamide 6/6
- Compliance with UL 94-V0 self-extinguishing requirements
- Continuous operating temperature: 113 °C
- Glow wire test: 965 °C
- Colour: Black

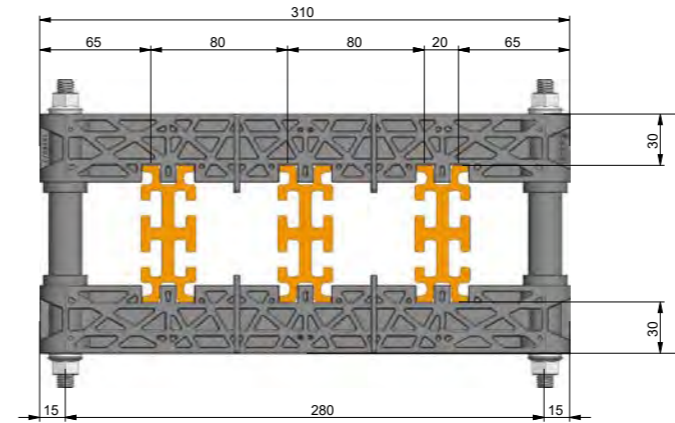


CERTIFICATIONS

B8020496	Verification of the short-circuit withstand of the main circuits	Inom=6300A Icc=105 kA
-----------------	--	--------------------------

THREE-POLE LINEAR BUSBAR HOLDERS FOR SMART-ENERGY COPPER PROFILES (MOUNTING DISTANCE BETWEEN BUSBAR HOLDERS= 80 MM)

Three-pole busbar holders for Smart-Energy Copper profiles from 630A up to 1600A



PRODUCT CODE	PACKAGE CONTENT	WEIGHT (KG)	SMART-ENERGY PROFILE	PROFILE SIZE (HxTHK)	H (MM)	ΔT 30° C	ΔT 30° C
IS38008CU/C	cod. ISP80/3/C cod. TUB302/C	1,25	BR8P	50x30	110	888	1106
IS31208CU/C	cod. ISP80/3/C cod. TUB302/C	1,25	BR12P	50x30	110	1251	1560
IS31608CU/C	cod. ISP80/3/C cod. TUB302/C	1,25	BR16P	50x30	110	1477	1832

MAXIMUM MOUNTING DISTANCE BETWEEN BUSBAR HOLDERS			
Rating (A)	630/800A	1000/1250A	1600A
Max. mounting distance	Icc	Icc	Icc
1000mm	20 kA	20 kA	25 kA
950mm	20 kA	20 kA	25 kA
900mm	20 kA	25 kA	30 kA
850mm	20 kA	25 kA	30 kA
800mm	20 kA	25 kA	35 kA
750mm	25 kA	30 kA	35 kA
700mm	25 kA	30 kA	40 kA
650mm	25 kA	35 kA	40 kA
600mm	30 kA	35 kA	45 kA
550mm	30 kA	40 kA	50 kA
500mm	35 kA	45 kA	50 kA
450mm	40 kA	50 kA	60 kA
400mm	45 kA	55 kA	65 kA
350mm	50 kA	60 kA	75 kA
300mm	60 kA	70 kA	80 kA
250mm	75 kA	85 kA	85 kA
200mm	85 kA		
Code	IS38008CU/C	IS31208CU/C	IS31608CU/C

THREE-POLE LOWER BASE

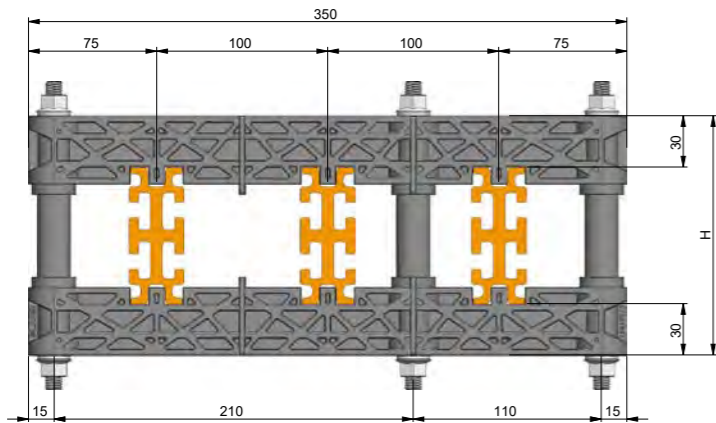
(Mounting distance between busbar holders= 80 mm)
Lower base for applications from 630A up to 1600A

PRODUCT CODE	PACKAGE CONTENT	WEIGHT (KG)	In (A)
ISB308/C	1	1,12	from 630A up to 1600A



THREE-POLE LINEAR BUSBAR HOLDERS FOR SMART-ENERGY COPPER PROFILES (MOUNTING DISTANCE BETWEEN BUSBAR HOLDERS= 100 MM)

Three-pole busbar holders for Smart-Energy Copper profiles from 630A up to 3200A



PRODUCT CODE	PACKAGE CONTENT	WEIGHT (KG)	SMART-ENERGY PROFILE	PROFILE SIZE (HxTHK)	H (MM)	ΔT 30° C	ΔT 50° C
IS38010CU/C	cod. ISP100/3/C cod. TUB303/C	1,3	BR8P	50x30	110	888	1106
IS31210CU/C	cod. ISP100/3/C cod. TUB303/C	1,3	BR12P	50x30	110	1251	1560
IS31610CU/C	cod. ISP100/3/C cod. TUB303/C	1,3	BR16P	50x30	110	1477	1832
IS32010CU/C	cod. ISP100/3/C cod. TUB603/C	1,4	BR20P	80x30	140	1980	2509
IS32510CU/C	cod. ISP100/3/C cod. TUB803/C	1,5	BR25P	100x30	160	2475	2957
IS33210CU/C	cod. ISP100/3/C cod. TUB103/C	1,55	BR32P	120x30	180	3129	3694

MAXIMUM MOUNTING DISTANCE BETWEEN BUSBAR HOLDERS						
Rating (A)	630/800A	1000/1250A	1600A	2000A	2500A	3200A
Max. mounting distance	lcc	lcc	lcc	lcc	lcc	lcc
1000mm	20 kA	25 kA	30 kA	35 kA	35 kA	35 kA
950mm	20 kA	25 kA	30 kA	35 kA	35 kA	35 kA
900mm	20 kA	25 kA	35 kA	40 kA	40 kA	40 kA
850mm	20 kA	30 kA	40 kA	50 kA	50 kA	50 kA
800mm	25 kA	30 kA	40 kA	55 kA	60 kA	60 kA
750mm	25 kA	30 kA	40 kA	55 kA	60 kA	60 kA
700mm	30 kA	35 kA	45 kA	60 kA	60 kA	60 kA
650mm	30 kA	35 kA	45 kA	65 kA	65 kA	65 kA
600mm	35 kA	40 kA	50 kA	75 kA	75 kA	75 kA
550mm	35 kA	45 kA	55 kA	75 kA	75 kA	75 kA
500mm	40 kA	50 kA	60 kA	80 kA	80 kA	80 kA
450mm	45 kA	55 kA	65 kA	85 kA	85 kA	85 kA
400mm	55 kA	60 kA	75 kA	90 kA	90 kA	90 kA
350mm	60 kA	70 kA	85 kA	95 kA	95 kA	95 kA
300mm	70 kA	80 kA	100 kA	105 kA	105 kA	105 kA
250mm	85 kA	95 kA	105 kA			
Code	IS38010CU/C	IS31210CU/C	IS31610CU/C	IS32010CU/C	IS32510CU/C	IS33210CU/C

THREE-POLE LOWER BASE

(Mounting distance between busbar holders= 100 mm)

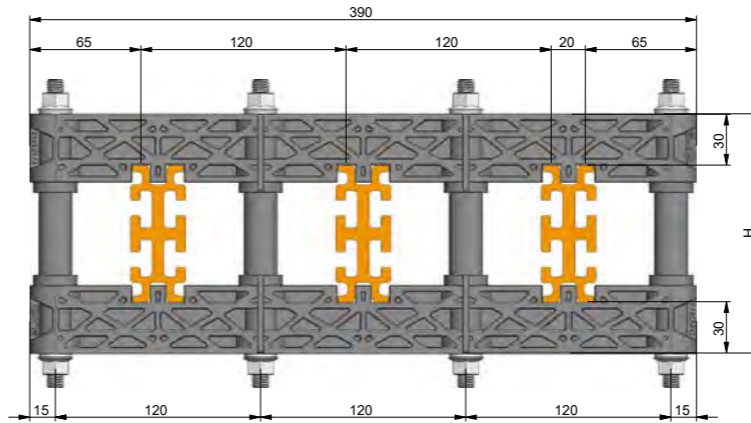
Lower base for applications from 630A up to 3200A

PRODUCT CODE	PACKAGE CONTENT	WEIGHT (KG)	In (A)
ISB310/C	1	1,2	from 630A up to 3200A



THREE-POLE LINEAR BUSBAR HOLDERS FOR SMART-ENERGY COPPER PROFILES (MOUNTING DISTANCE BETWEEN BUSBAR HOLDERS= 120 MM)

Three-pole busbar holders for Smart-Energy Copper profiles from 630A up to 4000A



PRODUCT CODE	PACKAGE CONTENT	WEIGHT (KG)	SMART-ENERGY PROFILE	PROFILE SIZE (HxTHK)	H (MM)	ΔT 30° C	ΔT 50° C
IS38012CU/C	cod. ISP120/3/C cod. TUB303/C	1,4	BR8P	50x30	110	888	1106
IS31212CU/C	cod. ISP120/3/C cod. TUB304/C	1,6	BR12P	50x30	110	1251	1560
IS31612CU/C	cod. ISP120/3/C cod. TUB304/C	1,6	BR16P	50x30	110	1477	1832
IS32012CU/C	cod. ISP120/3/C cod. TUB604/C	1,7	BR20P	80x30	140	1980	2509
IS32512CU/C	cod. ISP120/3/C cod. TUB804/C	1,5	BR25P	100x30	160	2475	2957
IS33212CU/C	cod. ISP120/3/C cod. TUB104/C	1,9	BR32P	120x30	180	2475	2957
IS34012CU/C	cod. ISP120/3/C cod. TUB134/C	2	BR40P	150x30	210	3953	4563

MAXIMUM MOUNTING DISTANCE BETWEEN BUSBAR HOLDERS							
Rating (A)	630/800A	1000/1250A	1600A	2000A	2500A	3200A	4000A
Max. mounting distance	lcc	lcc	lcc	lcc	lcc	lcc	lcc
1000mm	20 kA	25 kA	30 kA	35 kA	35 kA	35 kA	35 kA
950mm	25 kA	25 kA	35 kA	40 kA	40 kA	40 kA	40 kA
900mm	25 kA	30 kA	35 kA	40 kA	50 kA	40 kA	45 kA
850mm	25 kA	30 kA	40 kA	45 kA	55 kA	45 kA	50 kA
800mm	30 kA	35 kA	40 kA	60 kA	60 kA	60 kA	60 kA
750mm	30 kA	35 kA	45 kA	65 kA	65 kA	65 kA	65 kA
700mm	30 kA	40 kA	45 kA	65 kA	70 kA	70 kA	70 kA
650mm	35 kA	40 kA	50 kA	70 kA	70 kA	70 kA	70 kA
600mm	40 kA	45 kA	55 kA	75 kA	75 kA	75 kA	75 kA
550mm	40 kA	50 kA	60 kA	80 kA	80 kA	80 kA	80 kA
500mm	45 kA	50 kA	65 kA	85 kA	85 kA	85 kA	85 kA
450mm	50 kA	60 kA	70 kA	90 kA	90 kA	90 kA	90 kA
400mm	55 kA	65 kA	80 kA	95 kA	95 kA	95 kA	95 kA
350mm	65 kA	75 kA	90 kA	105 kA	105 kA	105 kA	105 kA
300mm	75 kA	95 kA	105 kA				
250mm	85 kA	100 kA					
Code	IS38012CU/C	IS31212CU/C	IS31612CU/C	IS32012CU/C	IS32512CU/C	IS33212CU/C	IS34012CU/C

THREE-POLE LOWER BASE

(Mounting distance between busbar holders= 120 mm)

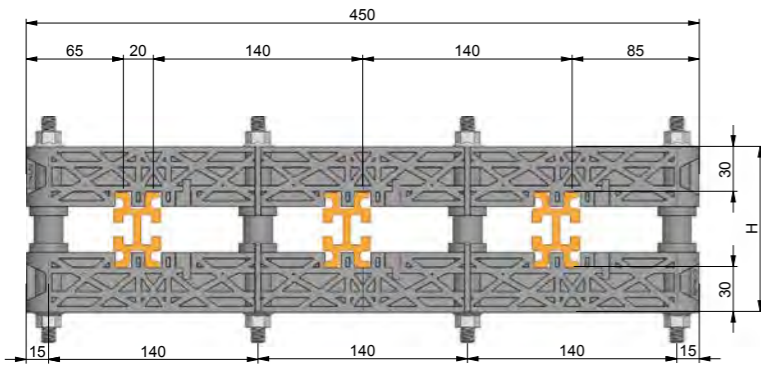
Lower base for applications from 630 up to 4000A

PRODUCT CODE	PACKAGE CONTENT	WEIGHT (KG)	In (A)
ISB312/C	1	1,3	from 630A up to 4000A



THREE-POLE LINEAR BUSBAR HOLDERS FOR SMART-ENERGY COPPER PROFILES (MOUNTING DISTANCE BETWEEN BUSBAR HOLDERS= 140 MM)

Four-pole busbar holders for Smart-Energy Copper profiles from 630A up to 4000A



PRODUCT CODE	PACKAGE CONTENT	WEIGHT (KG)	SMART-ENERGY PROFILE	PROFILE SIZE (HxTHK)	H (MM)	ΔT 30° C	ΔT 50° C
IS38014CU/C	cod. ISP140/3/C, AB/10C cod. TUB305/C	2,1	BR8P	50x30	110	888	1106
IS31214CU/C	cod. ISP140/3/C, AB/10C cod. TUB305/C	2,1	BR12P	50x30	110	1251	1560
IS31614CU/C	cod. ISP140/3/C, AB/10C cod. TUB305/C	2,1	BR16P	50x30	110	1477	1832
IS32014CU/C	cod. ISP140/3/C, AB/10C cod. TUB605/C	2,2	BR20P	80x30	140	1980	2509
IS32514CU/C	cod. ISP140/3/C, AB/10C cod. TUB805/C	2,5	BR25P	100x30	160	2475	2957
IS33214CU/C	cod. ISP140/3/C, AB/10C cod. TUB105/C	2,4	BR32P	120x30	180	3129	3694
IS34014CU/C	cod. ISP120/3/C, AB/10C cod. TUB135/C	2,6	BR40P	150x30	210	3953	4563

I. Nom	MAXIMUM MOUNTING DISTANCE BETWEEN BUSBAR HOLDERS						
	630/800A	1000/1250A	1600A	2000A	2500A	3200A	4000A
Max. mounting distance	lcc	lcc	lcc	lcc	lcc	lcc	lcc
1000mm	20 kA	25 kA	30 kA	35 kA	35 kA	35 kA	35 kA
950mm	25 kA	25 kA	35 kA	40 kA	40 kA	40 kA	40 kA
900mm	25 kA	30 kA	35 kA	40 kA	50 kA	40 kA	45 kA
850mm	25 kA	30 kA	40 kA	45 kA	55 kA	45 kA	50 kA
800mm	30 kA	35 kA	40 kA	60 kA	60 kA	60 kA	60 kA
750mm	30 kA	35 kA	45 kA	65 kA	65 kA	65 kA	65 kA
700mm	30 kA	40 kA	45 kA	65 kA	70 kA	70 kA	70 kA
650mm	35 kA	40 kA	50 kA	70 kA	70 kA	70 kA	70 kA
600mm	40 kA	45 kA	55 kA	75 kA	75 kA	75 kA	75 kA
550mm	40 kA	50 kA	60 kA	80 kA	80 kA	80 kA	80 kA
500mm	45 kA	50 kA	65 kA	85 kA	85 kA	85 kA	85 kA
450mm	50 kA	60 kA	70 kA	90 kA	90 kA	90 kA	90 kA
400mm	55 kA	65 kA	80 kA	95 kA	95 kA	95 kA	95 kA
350mm	65 kA	75 kA	90 kA	105 kA	105 kA	105 kA	105 kA
300mm	75 kA	95 kA	105 kA				
250mm	85 kA	100 kA					
Code	IS38014CU/C	IS31214CU/C	IS31614CU/C	IS32014CU/C	IS32514CU/C	IS33214CU/C	IS34014CU/C

THREE-POLE LOWER BASE

(Mounting distance between busbar holders= 140 mm)

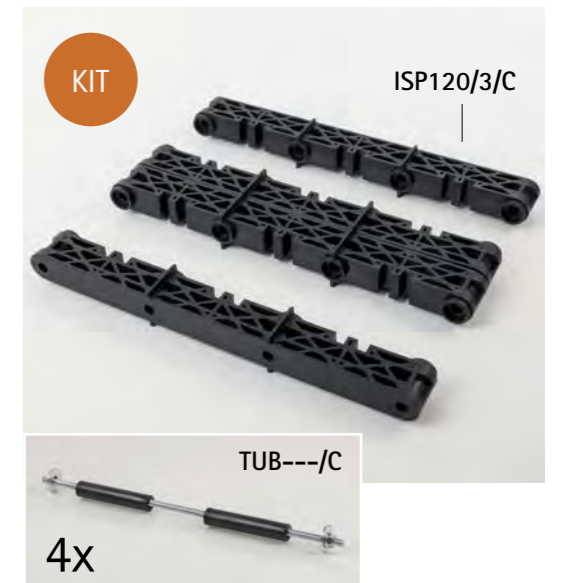
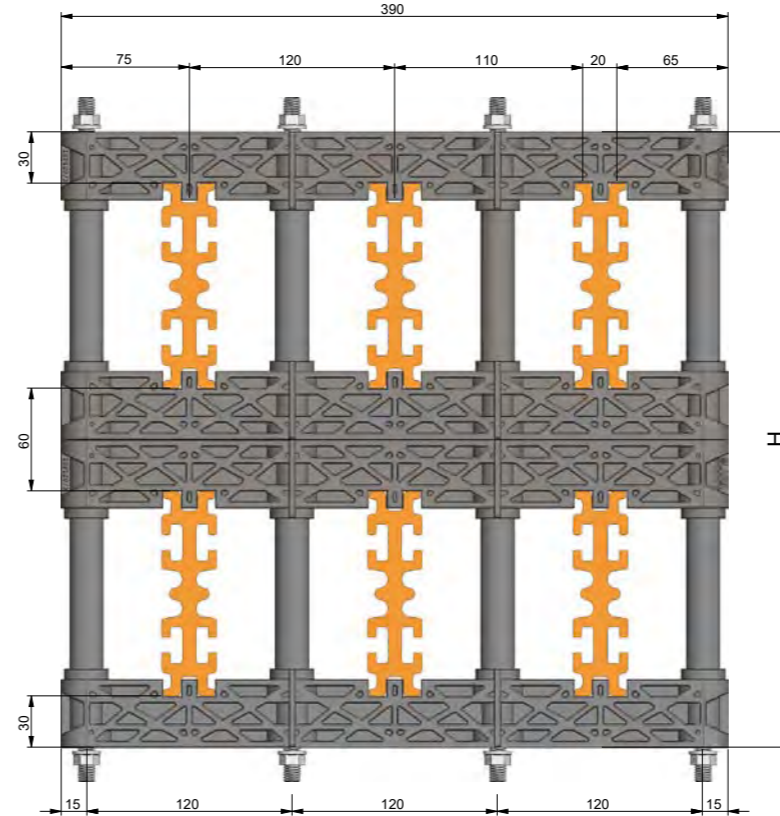
Lower base for applications from 630A up to 4000A

PRODUCT CODE	PACKAGE CONTENT	WEIGHT (KG)	In (A)
ISB314/C	1	1,8	from 630A up to 4000A



DOUBLE-LINE, THREE-POLE LINEAR BUSBAR HOLDERS FOR SMART-ENERGY COPPER PROFILES (MOUNTING DISTANCE BETWEEN BUSBAR HOLDERS= 120 MM)

Three-pole busbar holders for Smart-Energy Copper profiles from 5000A up to 6300A



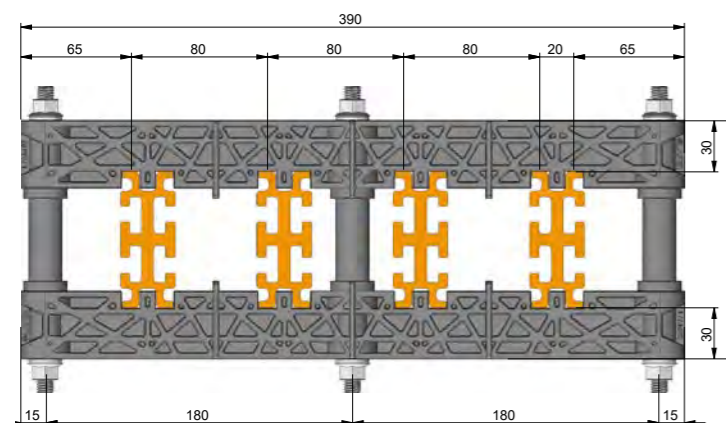
PRODUCT CODE	PACKAGE CONTENT	WEIGHT (KG)	SMART-ENERGY PROFILE	PROFILE SIZE (HxTHK)	H (MM)	ΔT 30° C	ΔT 50° C
IS35012CU/C	cod. ISP120/3/C cod. TUB884/C	3,2	BR25P	100x30	320	4952	5918
IS36312CU/C	cod. ISP120/3/C cod. TUB114/C	3,8	BR32P	120x30	360	6263	9127

Rating (A)	MAXIMUM MOUNTING DISTANCE BETWEEN BUSBAR HOLDERS	
	5000A	6300A
Max. mounting distance	lcc	lcc
1000mm	35 kA	35 kA
950mm	40 kA	40 kA
900mm	45 kA	45 kA
850mm	50 kA	50 kA
800mm	60 kA	60 kA
750mm	65 kA	65 kA
700mm	70 kA	70 kA
650mm	70 kA	70 kA
600mm	75 kA	75 kA
550mm	80 kA	80 kA
500mm	85 kA	85 kA
450mm	90 kA	90 kA
400mm	105 kA	105 kA
Code	IS35012CU/C	IS36312CU/C

FOUR-POLE LINEAR BUSBAR HOLDERS FOR SMART-ENERGY COPPER PROFILES (MOUNTING DISTANCE BETWEEN BUSBAR HOLDERS= 80 MM)

Four-pole busbar holders for Smart-Energy Copper profiles from 630A up to 1600A

*BUSBAR HOLDERS COMPATIBLE WITH 50% NEUTRAL BAR THANKS TO PHASE FILLER MODULE



PRODUCT CODE	PACKAGE CONTENT	WEIGHT (KG)	SMART-ENERGY PROFILE COPPER	PROFILE SIZE (HxTHK)	H (MM)	ΔT 30° C	ΔT 50° C
IS48008CU/C	cod. ISP80/4/C cod. TUB303/C	1,45	BR8	50x30	110	888	1106
IS41208CU/C	cod. ISP80/4/C cod. TUB303/C	1,45	(BR12P) / (BR12P+BR8P)	50x30	110	1251	1560
IS41608CU/C	cod. ISP80/4/C cod. TUB303/C	1,45	(BR16P) / (BR16P+BR8P)	50x30	110	1477	1832

MAXIMUM MOUNTING DISTANCE BETWEEN BUSBAR HOLDERS

Rating (A)	630/800A	1000/1250A	1600A
Max. mounting distance	lcc	lcc	lcc
1000mm	20 kA	20 kA	25 kA
950mm	20 kA	20 kA	25 kA
900mm	20 kA	25 kA	30 kA
850mm	20 kA	25 kA	30 kA
800mm	20 kA	25 kA	35 kA
750mm	25 kA	30 kA	35 kA
700mm	25 kA	30 kA	40 kA
650mm	25 kA	35 kA	40 kA
600mm	30 kA	35 kA	45 kA
550mm	30 kA	40 kA	50 kA
500mm	35 kA	45 kA	50 kA
450mm	40 kA	50 kA	60 kA
400mm	45 kA	55 kA	65 kA
350mm	50 kA	60 kA	75 kA
300mm	60 kA	70 kA	80 kA
250mm	75 kA	85 kA	85 kA
200mm	85 kA		
Code	IS48008CU/C	IS41208CU/C	IS41608CU/C

FOUR-POLE LOWER BASE

(Mounting distance between busbar holders= 80 mm)

Lower base for applications from 630A up to 1600A

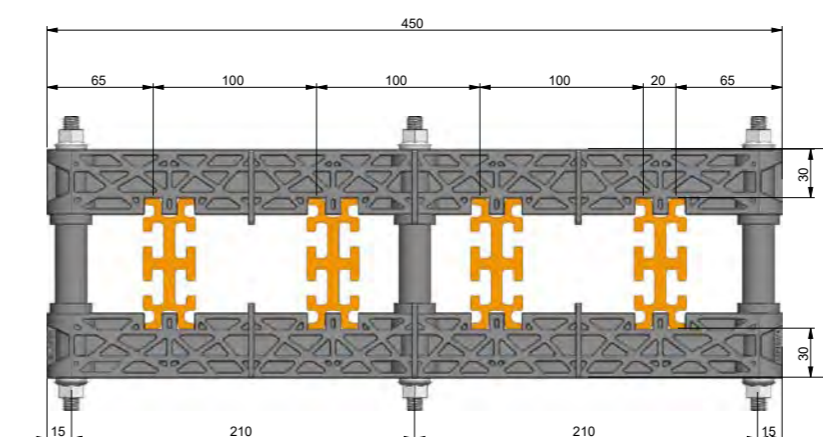
PRODUCT CODE	PACKAGE CONTENT	WEIGHT (KG)	In (A)
ISB408/C	1	1,34	from 630A up to 1600A



FOUR-POLE LINEAR BUSBAR HOLDERS FOR SMART-ENERGY COPPER PROFILES (MOUNTING DISTANCE BETWEEN BUSBAR HOLDERS= 100 MM)

Four-pole busbar holders for Smart-Energy Copper profiles from 630A up to 3200A

*BUSBAR HOLDERS COMPATIBLE WITH 50% NEUTRAL BAR THANKS TO PHASE FILLER MODULE



PRODUCT CODE	PACKAGE CONTENT	WEIGHT (KG)	SMART-ENERGY PROFILE	PROFILE SIZE (HxTHK)	H (MM)	ΔT 30° C	ΔT 50° C
IS4008CU/C	cod. ISP100/4/C cod. TUB303/C	1,6	BR8P	50x30	110	888	1106
IS41208CU/C	cod. ISP100/4/C cod. TUB303/C	1,9	(BR12P) / (BR12P+BR8P)	50x30	110	1251	1560
IS41608CU/C	cod. ISP100/4/C cod. TUB303/C	1,6	(BR16P) / (BR16P+BR8P)	50x30	110	1477	1832
IS42010CU/C	cod. ISP100/4/C cod. TUB603/C	1,6	(BR20P) / (BR20P+BR20P/5)	80x30	140	1980	2509
IS42510CU/C	cod. ISP100/4/C cod. TUB803/C	1,7	(BR25P) / (BR25P+BR25P/5)	100x30	160	2475	2957
IS43210CU/C	cod. ISP100/4/C cod. TUB103/C	1,8	(BR32P) / (BR32P+BR32P/5)	120x30	180	3129	3694

MAXIMUM MOUNTING DISTANCE BETWEEN BUSBAR HOLDERS

Rating (A)	630/800A	1000/1250A	1600A	2000A	2500A	3200A
Max. mounting distance	lcc	lcc	lcc	lcc	lcc	lcc
1000mm	20 kA	25 kA	30 kA	35 kA	35 kA	35 kA
950mm	20 kA	25 kA	30 kA	35 kA	35 kA	35 kA
900mm	20 kA	25 kA	35 kA	40 kA	40 kA	40 kA
850mm	20 kA	30 kA	40 kA	50 kA	50 kA	50 kA
800mm	25 kA	30 kA	40 kA	55 kA	60 kA	60 kA
750mm	25 kA	30 kA	40 kA	55 kA	60 kA	60 kA
700mm	30 kA	35 kA	45 kA	60 kA	60 kA	60 kA
650mm	30 kA	35 kA	45 kA	65 kA	65 kA	65 kA
600mm	35 kA	40 kA	50 kA	75 kA	75 kA	75 kA
550mm	35 kA	45 kA	55 kA	75 kA	75 kA	75 kA
500mm	40 kA	50 kA	60 kA	80 kA	80 kA	80 kA
450mm	45 kA	55 kA	65 kA	85 kA	85 kA	85 kA
400mm	55 kA	60 kA	75 kA	90 kA	90 kA	90 kA
350mm	60 kA	70 kA	85 kA	95 kA	95 kA	95 kA
300mm	70 kA	80 kA	100 kA	105 kA	105 kA	105 kA
250mm	85 kA	95 kA	105 kA			
200mm	100 kA					
Code	IS4008CU/C	IS41208CU/C	IS41608CU/C	IS42010CU/C	IS42510CU/C	IS43210CU/C

FOUR-POLE LOWER BASE

(Mounting distance between busbar holders= 100 mm)

Lower base for applications from 630A up to 3200A

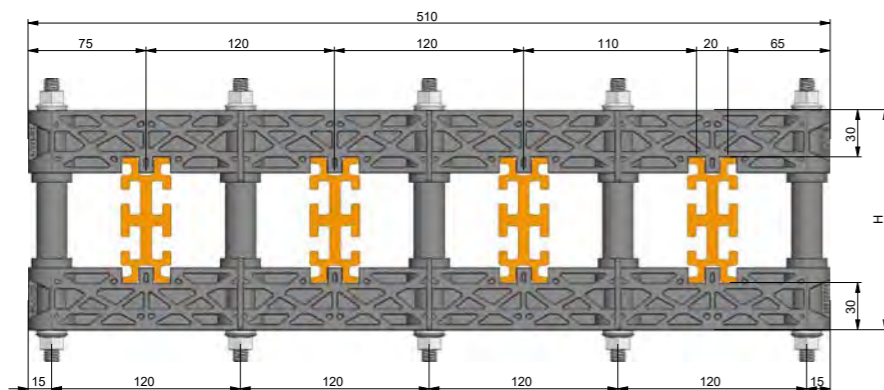
PRODUCT CODE	PACKAGE CONTENT	WEIGHT (KG)	In (A)
ISB410/C	1	1,34	from 630A up to 3200A



FOUR-POLE LINEAR BUSBAR HOLDERS FOR SMART-ENERGY COPPER PROFILES (MOUNTING DISTANCE BETWEEN BUSBAR HOLDERS= 120 MM)

Four-pole busbar holders for Smart-Energy Copper profiles from 630A up to 4000A

*BUSBAR HOLDERS COMPATIBLE WITH 50% NEUTRAL BAR THANKS TO PHASE FILLER MODULE



PRODUCT CODE	PACKAGE CONTENT	WEIGHT (KG)	SMART-ENERGY PROFILE	PROFILE SIZE (HxTHK)	H (MM)	ΔT 30° C	ΔT 50° C
IS48012CU/C	cod. ISP120/4/C cod. TUB305/C	1,9	BR8P	50x30	110	888	1106
IS41212CU/C	cod. ISP120/4/C cod. TUB305/C	1,9	(BR12P) / (BR12P+BR8P)	50x30	110	1251	1560
IS41612CU/C	cod. ISP120/4/C cod. TUB305/C	1,9	(BR16P) / (BR16P+BR8P)	50x30	110	1477	1832
IS42012CU/C	cod. ISP120/4/C cod. TUB605/C	2	(BR20P) / (BR20P+BR20P/5)	80x30	140	1980	2509
IS42512CU/C	cod. ISP120/4/C cod. TUB805/C	2,3	(BR25P) / (BR25P+BR25P/5)	100x30	160	2475	2957
IS43212CU/C	cod. ISP120/4/C cod. TUB105/C	2,2	(BR32P) / (BR32P+BR32P/5)	120x30	180	3129	3694
IS44012CU/C	cod. ISP120/4/C cod. TUB135/C	2,4	(BR40P) / (BR40P+BR40P/5)	150x30	210	3953	4563

MAXIMUM MOUNTING DISTANCE BETWEEN BUSBAR HOLDERS

I. Nom	630/800A	1000/1250A	1600A	2000A	2500A	3200A	4000A
Max. mounting distance	lcc	lcc	lcc	lcc	lcc	lcc	lcc
1000mm	20 kA	25 kA	30 kA	35 kA	35 kA	35 kA	35 kA
950mm	25 kA	25 kA	35 kA	40 kA	40 kA	40 kA	40 kA
900mm	25 kA	30 kA	35 kA	40 kA	50 kA	40 kA	45 kA
850mm	25 kA	30 kA	40 kA	45 kA	55 kA	45 kA	50 kA
800mm	30 kA	35 kA	40 kA	60 kA	60 kA	60 kA	60 kA
750mm	30 kA	35 kA	45 kA	65 kA	65 kA	65 kA	65 kA
700mm	30 kA	40 kA	45 kA	65 kA	70 kA	70 kA	70 kA
650mm	35 kA	40 kA	50 kA	70 kA	70 kA	70 kA	70 kA
600mm	40 kA	45 kA	55 kA	75 kA	75 kA	75 kA	75 kA
550mm	40 kA	50 kA	60 kA	80 kA	80 kA	80 kA	80 kA
500mm	45 kA	50 kA	65 kA	85 kA	85 kA	85 kA	85 kA
450mm	50 kA	60 kA	70 kA	90 kA	90 kA	90 kA	90 kA
400mm	55 kA	65 kA	80 kA	95 kA	95 kA	95 kA	95 kA
350mm	65 kA	75 kA	90 kA	105 kA	105 kA	105 kA	105 kA
300mm	75 kA	95 kA	105 kA				
250mm	85 kA	100 kA					
Code	IS48012CU/C	IS41212CU/C	IS41612CU/C	IS42012CU/C	IS42512CU/C	IS43212CU/C	IS44012CU/C

FOUR-POLE LOWER BASE

(Mounting distance between busbar holders= 120 mm)

Lower base for applications from 630A up to 4000A

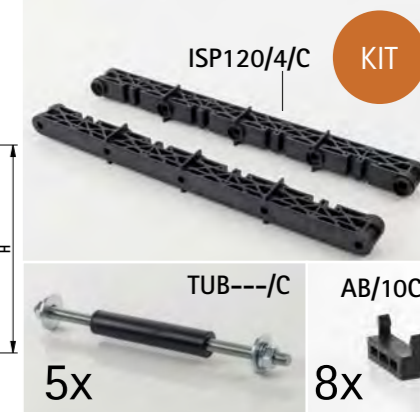
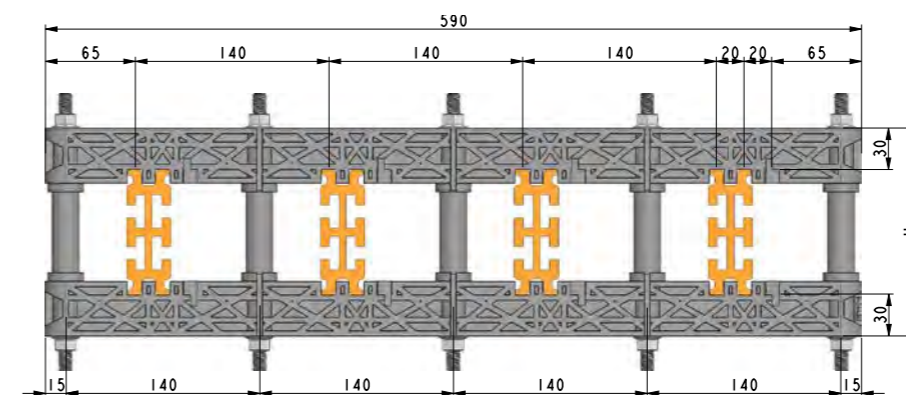


PRODUCT CODE	PACKAGE CONTENT	WEIGHT (KG)	In (A)
ISB412/C	1	1,6	from 630A up to 4000A

FOUR-POLE LINEAR BUSBAR HOLDERS FOR SMART-ENERGY COPPER PROFILES (MOUNTING DISTANCE BETWEEN BUSBAR HOLDERS= 140 MM)

Four-pole busbar holders for Smart-Energy Copper profiles from 630A up to 4000A

*BUSBAR HOLDERS COMPATIBLE WITH 50% NEUTRAL BAR THANKS TO PHASE FILLER MODULE



PRODUCT CODE	PACKAGE CONTENT	WEIGHT (KG)	SMART-ENERGY PROFILE	PROFILE SIZE (HxTHK)	H (MM)	ΔT 30° C	ΔT 50° C
IS48014CU/C	cod. ISP140/4/C, AB/10C cod. TUB305/C	2,1	BR8P	50x30	110	888	1106
IS41214CU/C	cod. ISP140/4/C, AB/10C cod. TUB305/C	2,1	(BR12P) (BR12P+BR8P)	50x30	110	1251	1560
IS41614CU/C	cod. ISP140/4/C, AB/10C cod. TUB305/C	2,1	(BR16P) (BR16P+BR8P)	50x30	110	1477	1832
IS42014CU/C	cod. ISP140/4/C, AB/10C cod. TUB605/C	2,2	(BR20P) (BR20P+BR20P/5)	80x30	140	1980	2509
IS42514CU/C	cod. ISP140/4/C, AB/10C cod. TUB805/C	2,5	(BR25P) (BR25P+BR25P/5)	100x30	160	2475	2957
IS43214CU/C	cod. ISP140/4/C, AB/10C cod. TUB105/C	2,4	(BR32P) (BR32P+BR32P/5)	120x30	180	3129	3694
IS44014CU/C	cod. ISP120/4/C, AB/10C cod. TUB135/C	2,6	(BR40P) / (BR40P+- BR40P/5)	150x30	210	3953	4563

MAXIMUM MOUNTING DISTANCE BETWEEN BUSBAR HOLDERS

I. Nom	630/800A	1000/1250A	1600A	2000A	2500A	3200A	4000A
Max. mounting distance	lcc	lcc	lcc	lcc	lcc	lcc	lcc
1000mm	20 kA	25 kA	30 kA	35 kA	35 kA	35 kA	35 kA
950mm	25 kA	25 kA	35 kA	40 kA	40 kA	40 kA	40 kA
900mm	25 kA	30 kA	35 kA	40 kA	50 kA	40 kA	45 kA
850mm	25 kA	30 kA	40 kA	45 kA	55 kA	45 kA	50 kA
800mm	30 kA	35 kA	40 kA	60 kA	60 kA	60 kA	60 kA
750mm	30 kA	35 kA	45 kA	65 kA	65 kA	65 kA	65 kA
700mm	30 kA	40 kA	45 kA	65 kA	70 kA	70 kA	70 kA
650mm	35 kA	40 kA	50 kA	70 kA	70 kA	70 kA	70 kA
600mm	40 kA	45 kA	55 kA	75 kA	75 kA	75 kA	75 kA
550mm	40 kA	50 kA	60 kA	80 kA	80 kA	80 kA	80 kA
500mm	45 kA	50 kA	65 kA	85 kA	85 kA	85 kA	85 kA
450mm	50 kA	60 kA	70 kA	90 kA	90 kA	90 kA	90 kA
400mm	55 kA	65 kA	80 kA	95 kA	95 kA	95 kA	95 kA
350mm	65 kA	75 kA	90 kA	105 kA	105 kA	105 kA	105 kA
300mm	75 kA	95 kA	105 kA				
250mm	85 kA	100 kA					
Code	IS48014CU/C	IS41214CU/C	IS41614CU/C	IS42014CU/C	IS42514CU/C	IS43214CU/C	IS44014CU/C

FOUR-POLE LOWER BASE

(Mounting distance between busbar holders= 140 mm)

Lower base for applications from 630A up to 4000A

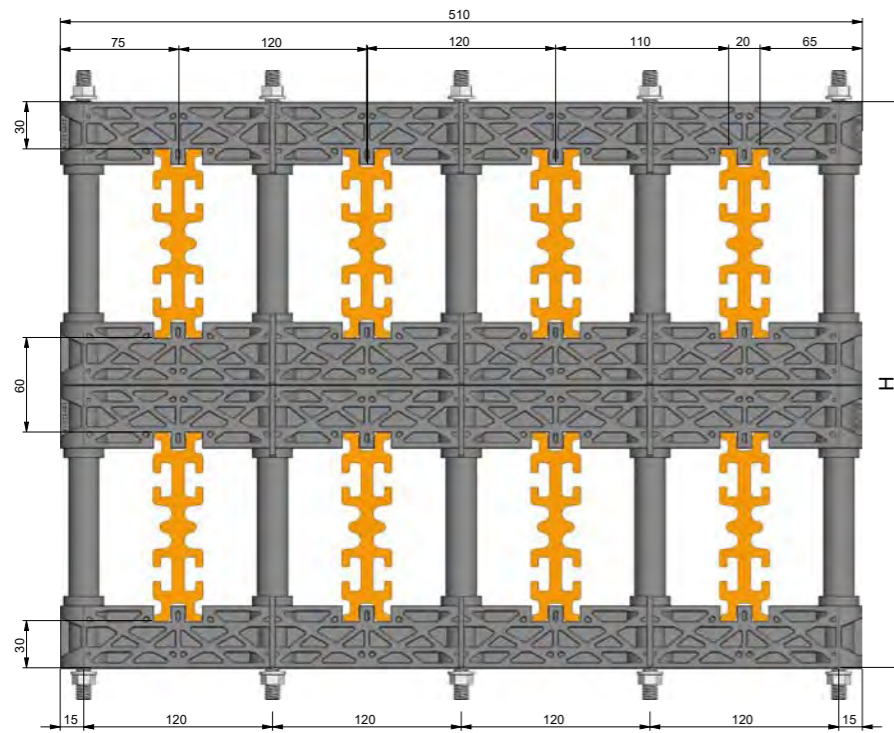


PRODUCT CODE	PACKAGE CONTENT	WEIGHT (KG)	In (A)
ISB414/C	1	1,8	from 630A up to 4000A

DOUBLE-LINE, FOUR-POLE LINEAR BUSBAR HOLDERS FOR SMART- ENERGY COPPER PROFILES (MOUNTING DISTANCE BETWEEN BUSBAR HOLDERS= 120 MM)

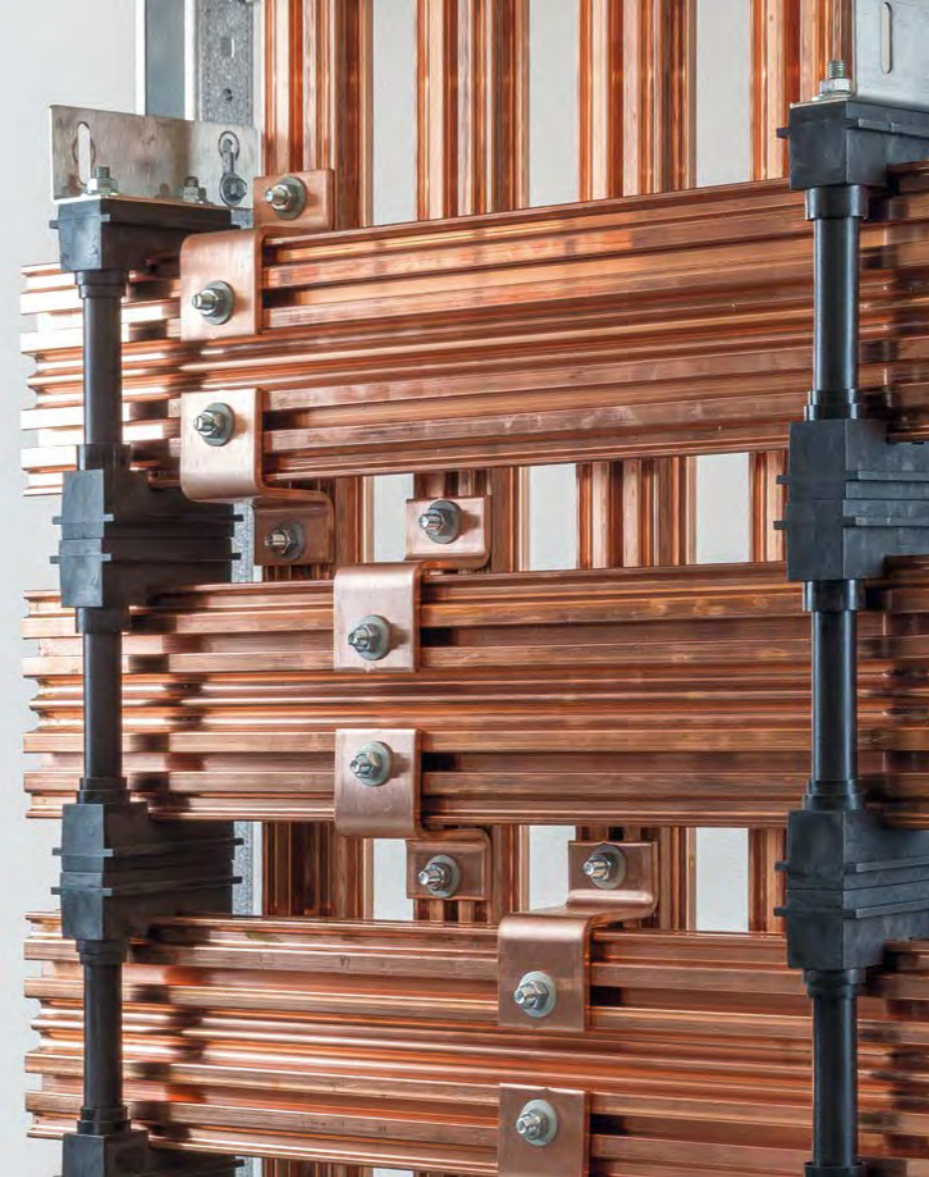
Four-pole busbar holders for Smart-Energy Plus profiles from 5000A up to 6300A

*BUSBAR HOLDERS COMPATIBLE WITH 50% NEUTRAL BAR THANKS TO PHASE FILLER MODULE



PRODUCT CODE	PACKAGE CONTENT	WEIGHT (KG)	SMART-ENERGY PROFILE	PROFILE SIZE (HxTHK)	H (MM)	In (A)
IS45012CU/C	cod. ISP120/4/C cod. TUB885/C	3,9	(BR25P) / (BR25P+BR25P/5)	120x30	320	5000
IS4630012CU/C	cod. ISP120/4/C cod. TUB115/C	4,2	(BR32P) / (BR32P+BR32P/5)	150x30	360	6300

MAXIMUM MOUNTING DISTANCE BETWEEN BUSBAR HOLDERS		
Rating (A)	5000A	6300A
Max. mounting distance	lcc	lcc
1000mm	35 kA	35 kA
950mm	40 kA	40 kA
900mm	45 kA	45 kA
850mm	50 kA	50 kA
800mm	60 kA	60 kA
750mm	65 kA	65 kA
700mm	70 kA	70 kA
650mm	70 kA	70 kA
600mm	75 kA	75 kA
550mm	80 kA	80 kA
500mm	85 kA	85 kA
450mm	90 kA	90 kA
400mm	105 kA	105 kA
Code	IS45012CU/C	IS4630012CU/C



BACK COPPER BUSBAR HOLDERS

Polyamide busbar holders for Smart-Energy Copper profiles up to 4000A. The space-saving design allows Back-Copper busbar holders to be installed on the back of the electrical cabinet, thus offering the maximum accessibility to the cabinet to work comfortably even in very tight spaces.

ADVANTAGES

- Compact design
- High speed of assembly

TECHNICAL SPECIFICATIONS

- Glass-fiber reinforced polyamide 6/6
- Compliance with UL 94-V0 self-extinguishing requirements
- Continuous operating temperature: 113 °C
- Glow wire test: 965 °C
- Colour: Black

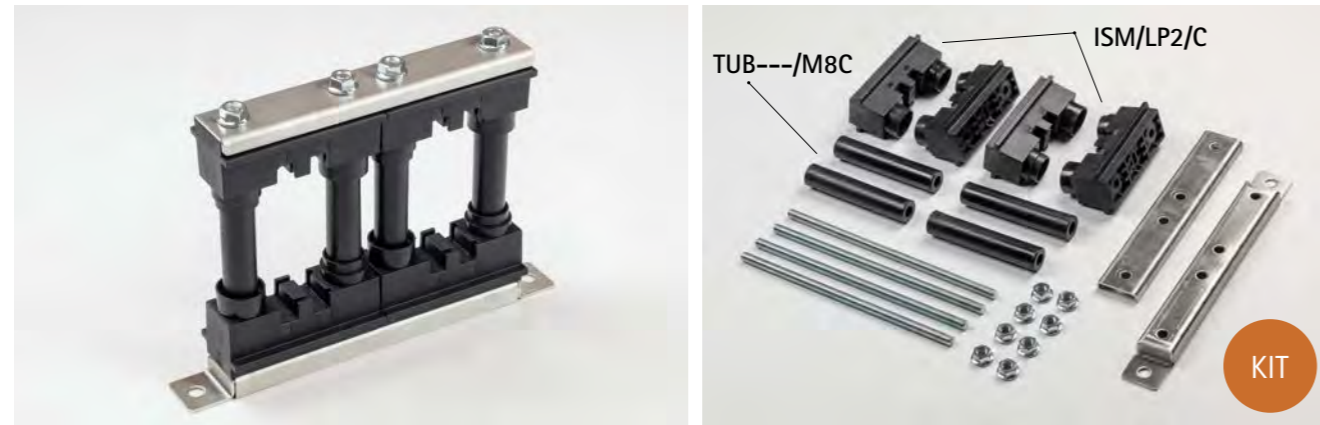


CERTIFICATIONS

B7001848	Verification of the short-circuit withstand of the main circuits	Inom=3200A lcc=105 kA
-----------------	--	--------------------------

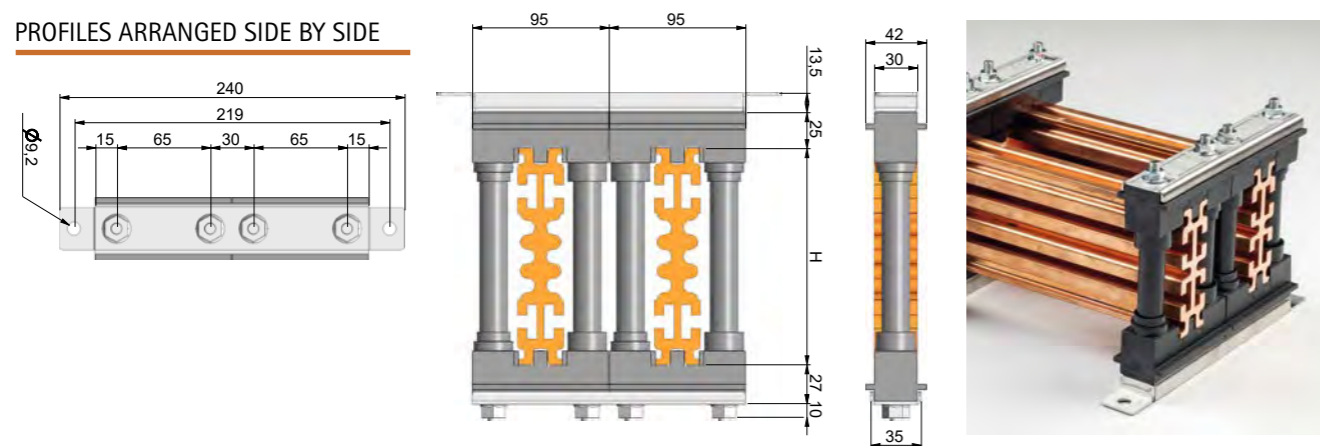
ONE-POLE BACK COPPER BUSBAR HOLDERS

Single phase Back Copper busbar holders for Smart-Energy Copper profiles up to 4000A (suitable for profiles arranged side by side)



PRODUCT CODE	PACKAGE CONTENT	WEIGHT (KG)	SMART-ENERGY PROFILE	PROFILE SIZE (HxTHK)	H (MM)	ΔT 30° C	ΔT 50° C
IBP280A/CU/C	cod. ISM/LP2/C cod. TUB304/M8C	2,26	BR8P	50x30	100	888	1106
IBP212A/CU/C	cod. ISM/LP2/C cod. TUB304/M8C	2,27	BR12P	50x30	100	1251	1560
IBP216A/CU/C	cod. ISM/LP2/C cod. TUB304/M8C	2,3	BR16P	50x30	100	1477	1832
IBP220A/CU/C	cod. ISM/LP2/C cod. TUB604/M8C	2,31	BR20P	80x30	130	1980	2509
IBP225A/CU/C	cod. ISM/LP2/C cod. TUB804/M8C	2,33	BR25P	100x30	150	2475	2957
IBP232A/CU/C	cod. ISM/LP2/C cod. TUB104/M8C	2,35	BR32P	120x30	170	3129	3694
IBP240A/CU/C	cod. ISM/LP2/C cod. TUB134/M8C	2,37	BR40P	150x30	200	3950	3582

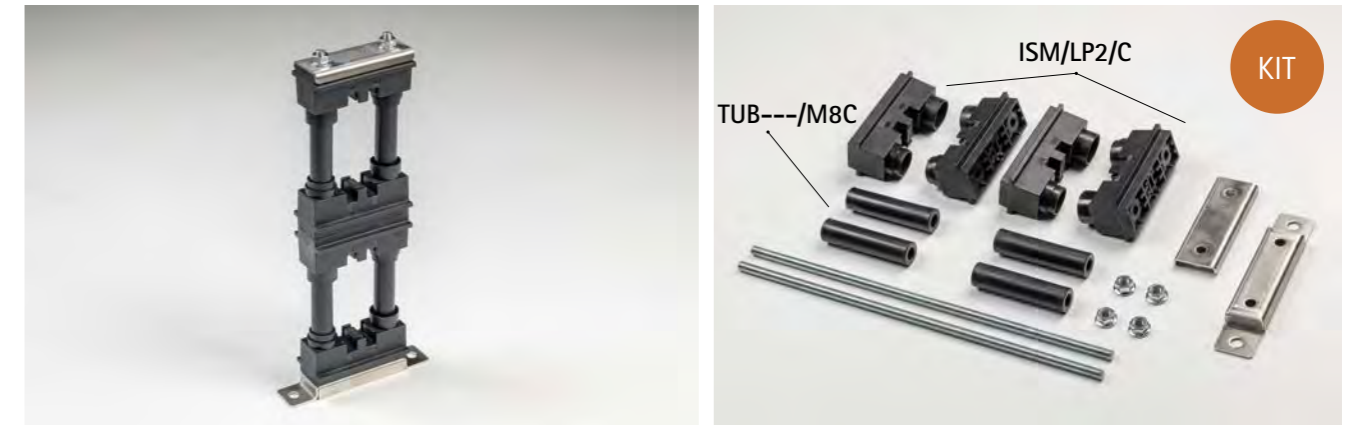
PROFILES ARRANGED SIDE BY SIDE



MAXIMUM MOUNTING DISTANCE BETWEEN BUSBAR HOLDERS							
Rating (A)	630/800A	1000/1250A	1600A	2000A	2500A	3200A	4000A
Max. mounting distance	lcc	lcc	lcc	lcc	lcc	lcc	lcc
1000mm	20 kA	25 kA	30 kA	35 kA	35 kA	35 kA	35 kA
950mm	25 kA	25 kA	35 kA	40 kA	40 kA	40 kA	40 kA
900mm	25 kA	30 kA	35 kA	40 kA	50 kA	40 kA	45 kA
850mm	25 kA	30 kA	40 kA	45 kA	55 kA	45 kA	50 kA
800mm	30 kA	35 kA	40 kA	60 kA	60 kA	60 kA	60 kA
750mm	30 kA	35 kA	45 kA	65 kA	65 kA	65 kA	65 kA
700mm	30 kA	40 kA	45 kA	65 kA	70 kA	70 kA	70 kA
650mm	35 kA	40 kA	50 kA	70 kA	70 kA	70 kA	70 kA
600mm	40 kA	45 kA	55 kA	75 kA	75 kA	75 kA	75 kA
550mm	40 kA	50 kA	60 kA	80 kA	80 kA	80 kA	80 kA
500mm	45 kA	50 kA	65 kA	85 kA	85 kA	85 kA	85 kA
450mm	50 kA	60 kA	70 kA	90 kA	90 kA	90 kA	90 kA
400mm	55 kA	65 kA	80 kA	95 kA	95 kA	95 kA	95 kA
350mm	65 kA	75 kA	90 kA	105 kA	105 kA	105 kA	105 kA
300mm	75 kA	95 kA	105 kA				
250mm	85 kA	100 kA					
Code	IBP280A/CU/C	IBP212A/CU/C	IBP216A/CU/C	IBP220A/CU/C	IBP225A/CU/C	IBP232A/CU/C	IBP240A/CU/C

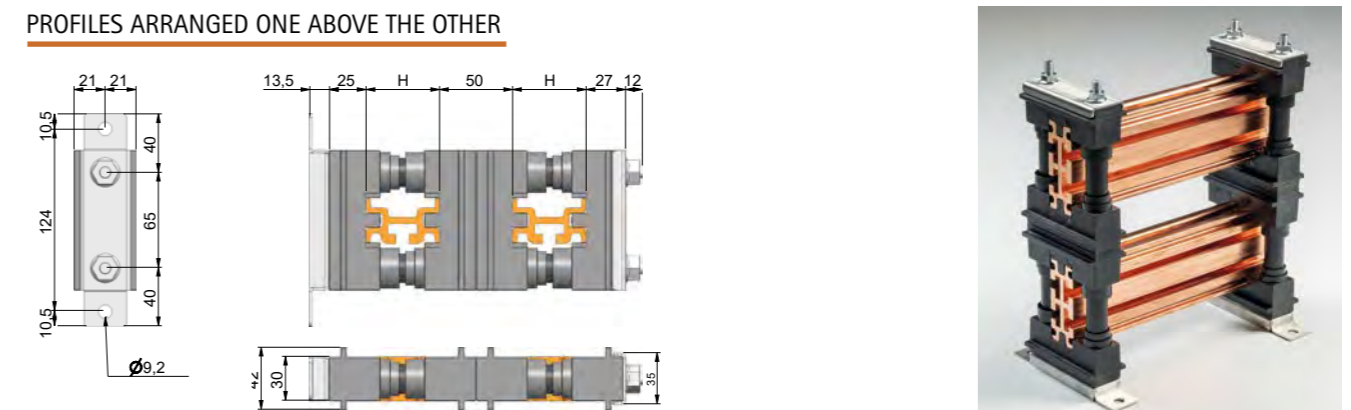
ONE-POLE BACK COPPER BUSBAR HOLDERS

Single phase Back Copper busbar holders for Smart-Energy Copper profiles up to 4000A (suitable for profiles arranged one above the other)



PRODUCT CODE	PACKAGE CONTENT	WEIGHT (KG)	SMART-ENERGY PROFILE	PROFILE SIZE (HxTHK)	H (MM)	In (A)	ΔT 50° C
IBP280/CU/C	cod. ISM/LP2/C cod. TUB230/M8C	2,3	BR8P	50x30	200	888	1106
IBP212/CU/C	cod. ISM/LP2/C cod. TUB230/M8C	2,4	BR12P	50x30	200	1251	1560
IBP216/CU/C	cod. ISM/LP2/C cod. TUB230/M8C	2,4	BR16P	50x30	200	1477	1832
IBP220/CU/C	cod. ISM/LP2/C cod. TUB260/M8C	2,5	BR20P	80x30	260	1980	2509
IBP225/CU/C	cod. ISM/LP2/C cod. TUB280/M8C	2,7	BR25P	100x30	300	2475	2957
IBP232/CU/C	cod. ISM/LP2/C cod. TUB210/M8C	2,8	BR32P	120x30	340	3129	3694
IBP240/CU/C	cod. ISM/LP2/C cod. TUB213/M8C	2,9	BR40P	150x30	400	3950	3582

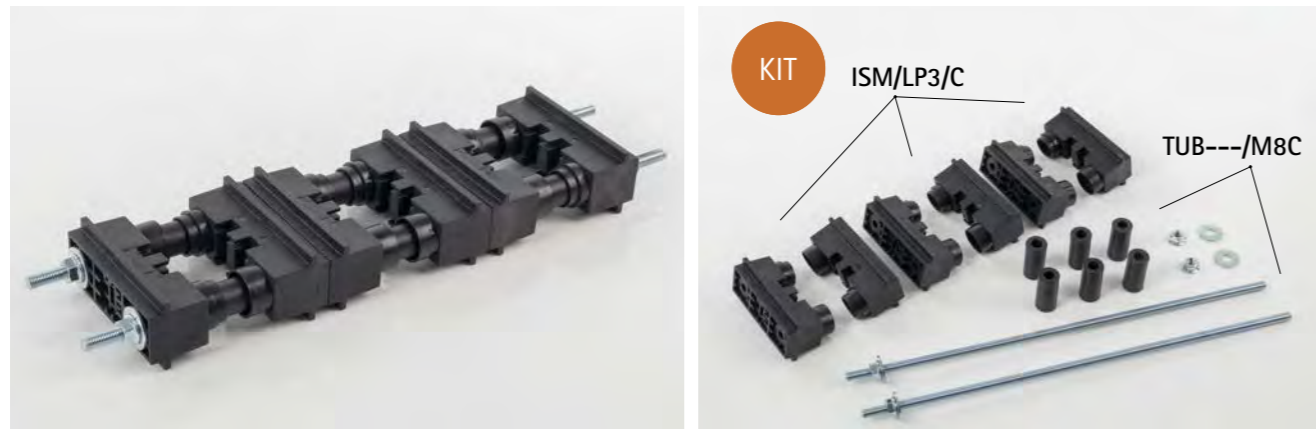
PROFILES ARRANGED ONE ABOVE THE OTHER



MAXIMUM MOUNTING DISTANCE BETWEEN BUSBAR HOLDERS							
Rating (A)	630/800/1000A	1250A	1600A	2000A	2500A	3200A	4000A
Max. mounting distance	lcc	lcc	lcc	lcc	lcc	lcc	lcc
1000mm	30 kA	40 kA	45 kA	55 kA	60 kA	65 kA	70 kA
950mm	30 kA	50 kA	50 kA	55 kA	60 kA	65 kA	70 kA
900mm	35 kA	50 kA	50 kA	60 kA	65 kA	65 kA	75 kA
850mm	35 kA	50 kA	50 kA	60 kA	65 kA	70 kA	75 kA
800mm	40 kA	50 kA	55 kA	60 kA	65 kA	70 kA	75 kA
750mm	40 kA	55 kA	55 kA	65 kA	70 kA	75 kA	80 kA
700mm	45 kA	55 kA	60 kA	65 kA	70 kA	75 kA	85 kA
650mm	50 kA	55 kA	60 kA	70 kA	75 kA	80 kA	85 kA
600mm	50 kA	65 kA	65 kA	70 kA	75 kA	85 kA	90 kA
550mm	55 kA	65 kA	65 kA	75 kA	80 kA	85 kA	95 kA
500mm	60 kA	70 kA	70 kA	80 kA	85 kA	90 kA	100 kA
450mm	70 kA	75 kA	75 kA	85 kA	90 kA	95 kA	105 kA
400mm	75 kA	75 kA	75 kA	90 kA	95 kA	100 kA	
350mm	85 kA	85 kA	85 kA	100 kA	100 kA	105 kA	
300mm	90 kA	90 kA	95 kA	105 kA	105 kA		
250mm	100 kA	105 kA	105 kA				
200mm	105 kA						
Code	IBP280CU/C	IBP212CU/C	IBP216CU/C	IBP220CU/C	IBP225CU/C	IBP232CU/C	IBP240CU/C

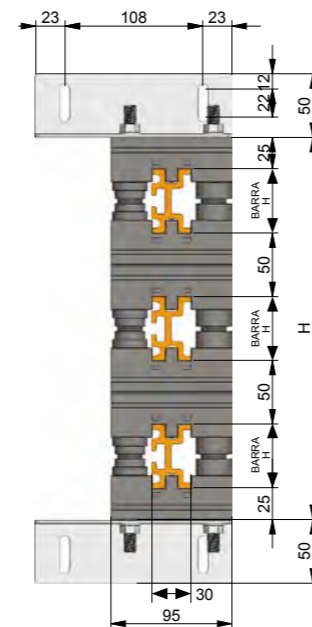
THREE-POLE VERTICAL/HORIZONTAL BACK-COPPER BUSBAR HOLDERS

Three-pole vertical/horizontal rear busbar holders for Smart-Energy Copper profiles up to 4000A

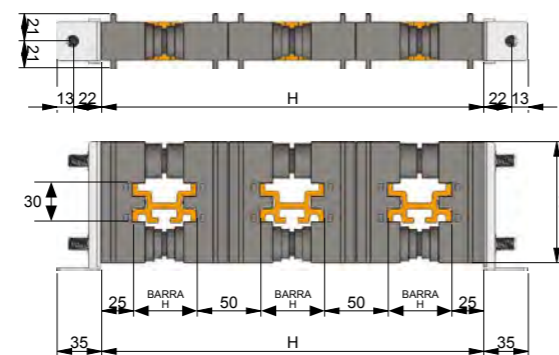


PRODUCT CODE	PACKAGE CONTENT	WEIGHT (KG)	BARRA SMART PROFILE	PROFILE SIZE (HxTHK)	H (MM)	ΔT 30° C	ΔT 50° C
IB380CU/C	cod. ISM/LP3/C cod. TUB330/M8C	3,4	BR8P	50x30	300	888	1106
IB312CU/C	cod. ISM/LP3/C cod. TUB330/M8C	3,4	(BR12P)	50x30	300	1251	1560
IB316CU/C	cod. ISM/LP3/C cod. TUB330/M8C	3,4	(BR16P)	50x30	300	1477	1832
IB320CU/C	cod. ISM/LP3/C cod. TUB360/M8C	3,6	(BR20P)	80x30	390	1980	2509
IB325CU/C	cod. ISM/LP3/C cod. TUB380/M8C	3,7	(BR25P)	100x30	450	2475	2957
IB332CU/C	cod. ISM/LP3/C cod. TUB3100/M8C	3,8	(BR32P)	120x30	510	3129	3694
IB340CU/C	cod. ISM/LP3/C cod. TUB3130/M8C	3,9	(BR40P)	150x30	600	3950	3582

BARS ARRANGED HORIZONTALLY



BARS ARRANGED VERTICALLY



MAXIMUM MOUNTING DISTANCE BETWEEN BUSBAR HOLDERS							
Rating (A)	630/800/1000A	1250A	1600A	2000A	2500A	3200A	4000A
Max. mounting distance	lcc	lcc	lcc	lcc	lcc	lcc	lcc
1000mm	30 kA	40 kA	45 kA	55 kA	60 kA	65 kA	70 kA
950mm	30 kA	50 kA	50 kA	55 kA	60 kA	65 kA	70 kA
900mm	35 kA	50 kA	50 kA	60 kA	65 kA	65 kA	75 kA
850mm	35 kA	50 kA	50 kA	60 kA	65 kA	70 kA	75 kA
800mm	40 kA	50 kA	55 kA	60 kA	65 kA	70 kA	75 kA
750mm	40 kA	55 kA	55 kA	65 kA	70 kA	75 kA	80 kA
700mm	45 kA	55 kA	60 kA	65 kA	70 kA	75 kA	85 kA
650mm	50 kA	55 kA	60 kA	70 kA	75 kA	80 kA	85 kA
600mm	50 kA	65 kA	65 kA	70 kA	75 kA	85 kA	90 kA
550mm	55 kA	65 kA	65 kA	75 kA	80 kA	85 kA	95 kA
500mm	60 kA	70 kA	70 kA	80 kA	85 kA	90 kA	100 kA
450mm	70 kA	75 kA	75 kA	85 kA	90 kA	95 kA	105 kA
400mm	75 kA	75 kA	75 kA	90 kA	95 kA	100 kA	
350mm	85 kA	85 kA	85 kA	100 kA	100 kA	105 kA	
300mm	90 kA	90 kA	95 kA	105 kA	105 kA		
250mm	100 kA	105 kA	105 kA				
200mm	105 kA						
Code	IBP380CU/C	IBP312CU/C	IBP316CU/C	IBP320CU/C	IBP325CU/C	IBP332CU/C	IBP340CU/C

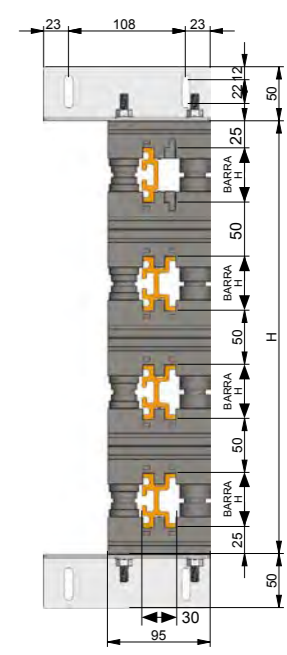
FOUR-POLE VERTICAL/HORIZONTAL BACK PLUS BUSBAR HOLDERS

Four-pole vertical/horizontal rear busbar holders for Smart-Energy Copper profiles up to 4000A

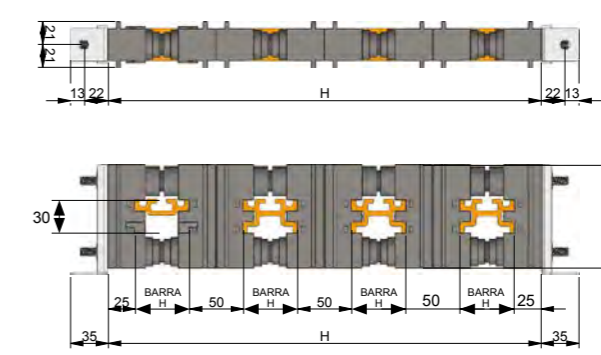


PRODUCT CODE	PACKAGE CONTENT	WEIGHT (KG)	SMART ENERGY PROFILE	PROFILE SIZE (HxTHK)	H (MM)	In (A)
IB480CU/C	cod. ISM/LP4/C cod. TUB430/M8C	4,3	BR8P	50x30	888	1106
IB412CU/C	cod. ISM/LP4/C cod. TUB430/M8C	4,3	(BR12P) (BR12P+BR8P)	50x30	1251	1560
IB416CU/C	cod. ISM/LP4/C cod. TUB430/M8C	4,3	(BR16P) (BR16P+BR8P)	50x30	1477	1832
IB420CU/C	cod. ISM/LP4/C cod. TUB460/M8C	4,7	(BR20P) (BR20P+BR20P/5)	80x30	1980	2509
IB425CU/C	cod. ISM/LP4/C cod. TUB480/M8C	4,8	(BR25P) (BR25P+BR25P/5)	100x30	2475	2957
IB432CU/C	cod. ISM/LP4/C cod. TUB4100/M8C	4,85	(BR32P) (BR32P+BR32P/5)	120x30	3129	3694
IB440CU/C	cod. ISM/LP4/C cod. TUB4130/M8C	4,9	(BR40P) (BR40P+BR40P/5)	150x30	3950	3582

BARS ARRANGED HORIZONTALLY



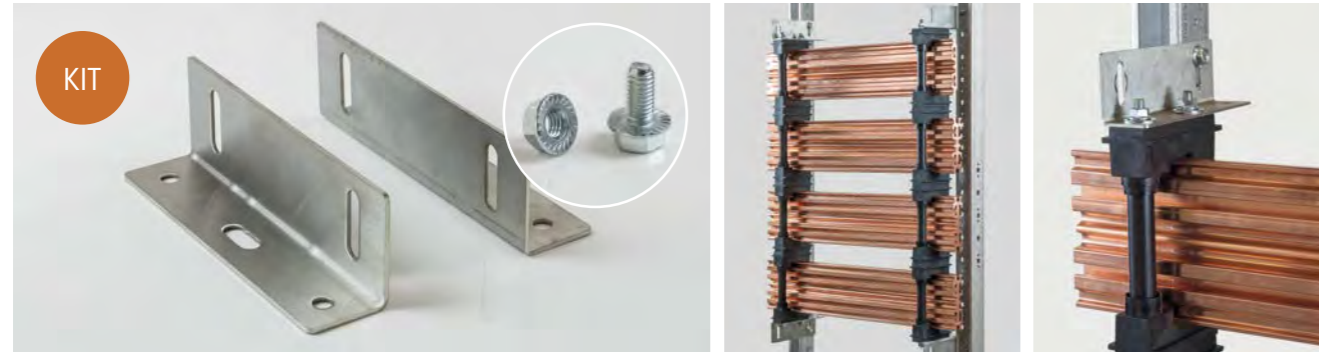
BARS ARRANGED VERTICALLY



MAXIMUM MOUNTING DISTANCE BETWEEN BUSBAR HOLDERS							
Rating (A)	630/800/1000A	1250A	1600A	2000A	2500A	3200A	4000A
Max. mounting distance	lcc	lcc	lcc	lcc	lcc	lcc	lcc
1000mm	30 kA	40 kA	45 kA	55 kA	60 kA	65 kA	70 kA
950mm	30 kA	50 kA	50 kA	55 kA	60 kA	65 kA	70 kA
900mm	35 kA	50 kA	50 kA	60 kA	65 kA	65 kA	75 kA
850mm	35 kA	50 kA	50 kA	60 kA	65 kA	70 kA	75 kA
800mm	40 kA	50 kA	55 kA	60 kA	65 kA	70 kA	75 kA
750mm	40 kA	55 kA	55 kA	65 kA	70 kA	75 kA	80 kA
700mm	45 kA	55 kA	60 kA	65 kA	70 kA	75 kA	85 kA
650mm	50 kA	55 kA	60 kA	70 kA	75 kA	80 kA	85 kA
600mm	50 kA	65 kA	65 kA	70 kA	75 kA	85 kA	90 kA
550mm	55 kA	65 kA	65 kA	75 kA	80 kA	85 kA	95 kA
500mm	60 kA	70 kA	70 kA	80 kA	85 kA	90 kA	100 kA
450mm	70 kA	75 kA	75 kA	85 kA	90 kA	95 kA	105 kA
400mm	75 kA	75 kA	75 kA	90 kA	95 kA	100 kA	
350mm	85 kA	85 kA	85 kA	100 kA	100 kA	105 kA	
300mm	90 kA	90 kA	95 kA	105 kA	105 kA		
250mm	100 kA	105 kA	105 kA				
200mm	105 kA						
Code	IBP480CU/C	IBP412CU/C	IBP416CU/C	IBP420CU/C	IBP425CU/C	IBP432CU/C	IBP440CU/C

BRACKETS FOR HORIZONTAL BACK- COPPER BUSBAR HOLDERS

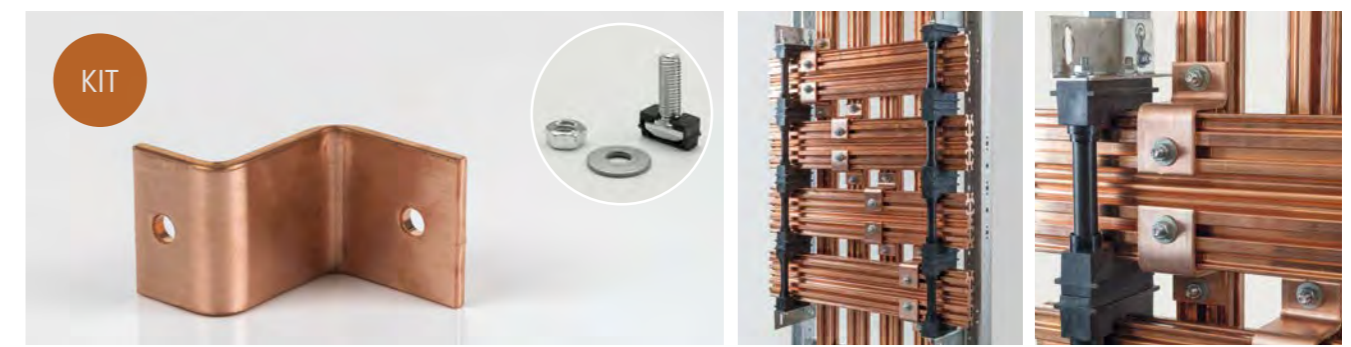
Stainless steel brackets for Back-Copper busbar holders (suitable for profiles arranged horizontally)



PRODUCT CODE	PACKAGE CONTENT	WEIGHT (KG)
SHLB/C	4 brackets + 4 screws / nuts	0,8

COPPER JOINTS FOR BACK-COPPER BUSBAR SYSTEM

Copper joints for the connection between three-pole and four-pole Back-Copper busbar systems (suitable for profiles arranged horizontally or vertically)



PRODUCT CODE	PACKAGE CONTENT	WEIGHT (KG)	N.POLES	IN (A)	COPPER CROSS SECTION	DIM.
GBP3/C	3 joints + 6 screws / nuts	0,8	3	from 630A up to 4000A	50x5	55x60x40
GBP4/C	4 joints + 8 screws / nuts	1	4	from 630A up to 4000A	50x5	55x60x40

1 Kit per bar for applications up to 630A | 2 Kits per bar for applications ≥800A

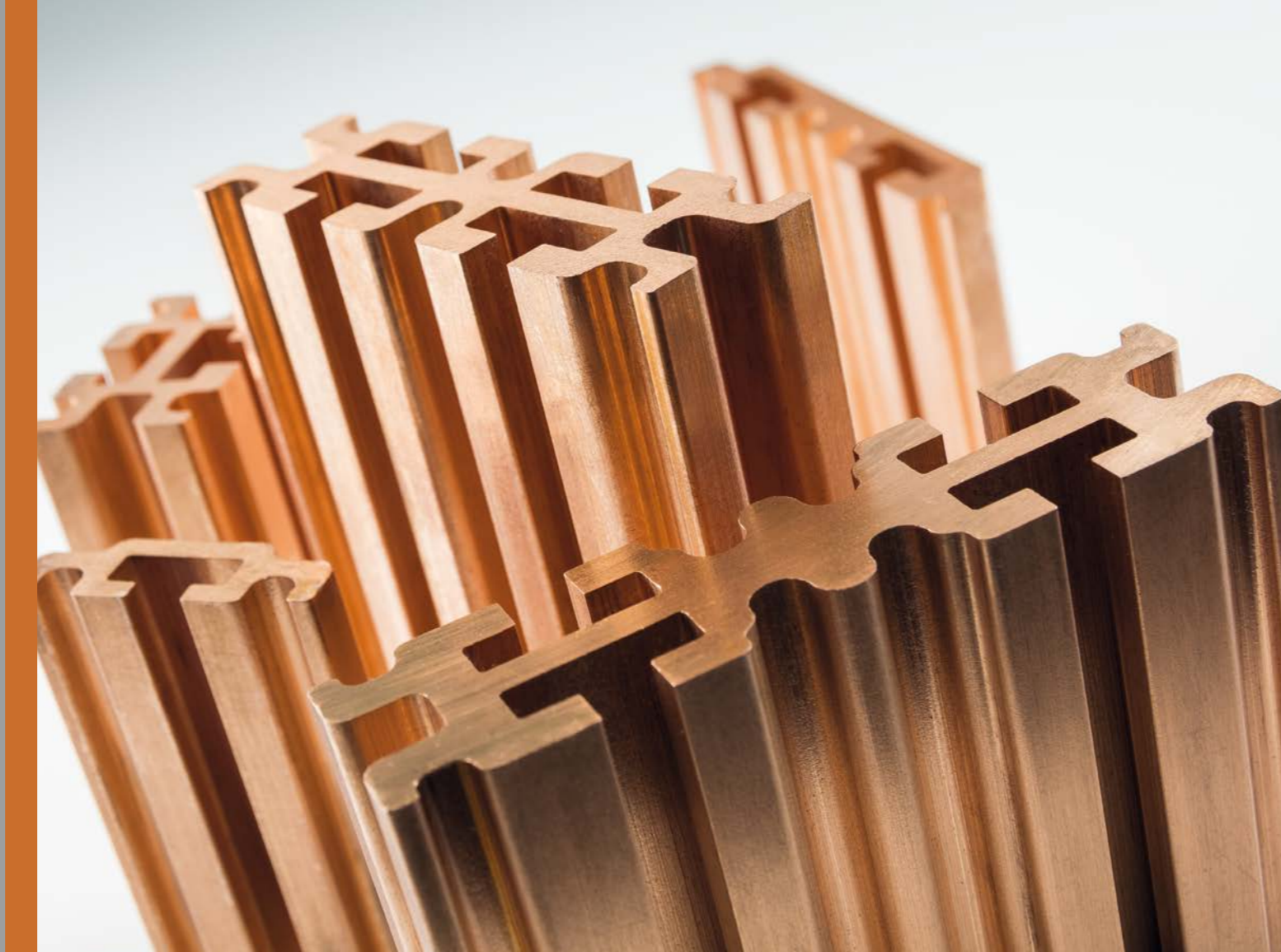
BRACKETS FOR VERTICAL BACK COPPER BUSBAR HOLDERS

Stainless steel brackets for Back-Copper busbar holders (suitable for profiles arranged vertically)



PRODUCT CODE	PACKAGE CONTENT	WEIGHT (KG)
SVLB/C	6 brackets + 6 screws / nuts	0,65

UNIVERSAL COPPER BUSBAR SYSTEMS UP TO 6300A



Double-grooved copper profiles ensuring the maximum wiring flexibility as well as remarkable cost savings compared to flat copper bars. The extraordinary versatility of Smart-Copper solution enables it to perfectly match any modification or extension of the busbar system, while the compact design of the profiles allows them to optimize spaces at best.

ADVANTAGES

- Cost-saving solution
- Significant wiring times reduction
- Tool-free system

SMART-ENERGY COPPER PROFILE (630A /800A /1000A)

Extruded copper profile (In= 630A /800A /1000A)

*THE LENGTH OF THE PROFILES CAN BE CUSTOMISED UPON REQUEST



PRODUCT CODE	PACKAGE CONTENT	WEIGHT (KG)	THK (mm)	H (mm)	L (mm)	ΔT 30° C	ΔT 50° C
BR8P/1830	1	6,35	15	50	1830	888	1106
BR8P/2030	1	7	15	50	2030	888	1106
BR8P/2325	1	8	15	50	2325	888	1106



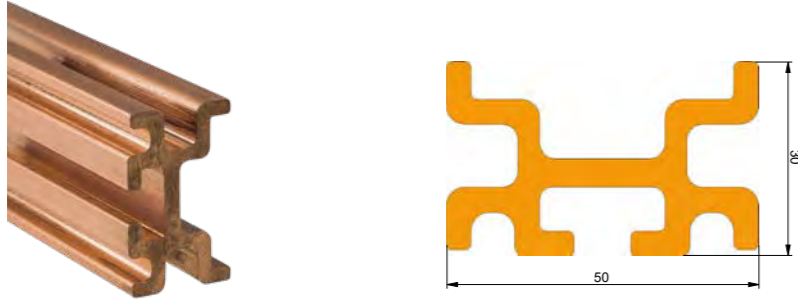
CERTIFICATIONS

B8020496	Verification of the short-circuit withstand of the main circuits	Inom=6300A Icc=105 kA
-----------------	--	--------------------------

SMART-ENERGY COPPER PROFILE (1250 A)

Extruded copper profile (In=1250A)

*THE LENGTH OF THE PROFILES CAN BE CUSTOMISED UPON REQUEST

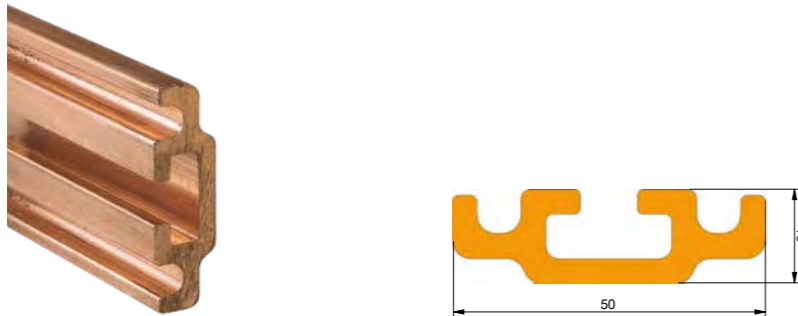


PRODUCT CODE	PACKAGE CONTENT	WEIGHT (KG)	THK (mm)	H (mm)	L (mm)	ΔT 30° C	ΔT 50° C
BR12P/1830	1	10,8	30	50	1830	1251	1560
BR12P/2030	1	11	30	50	2030	1251	1560
BR12P/2325	1	12,55	30	50	2325	1251	1560

SMART-ENERGY COPPER PROFILE (1250 A) –NEUTRAL BAR

Extruded copper profile (neutral bar) - In=1250A

*THE LENGTH OF THE PROFILES CAN BE CUSTOMISED UPON REQUEST

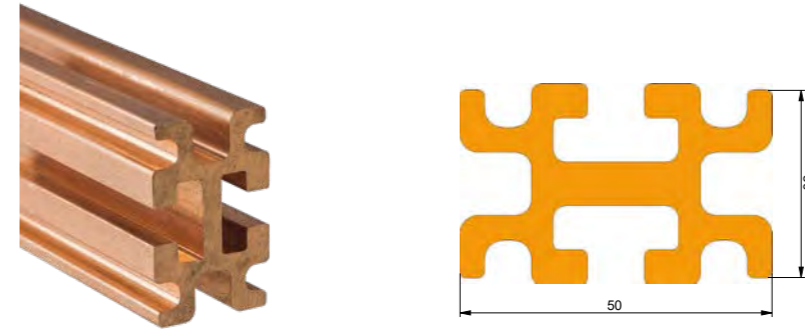


PRODUCT CODE	PACKAGE CONTENT	WEIGHT (KG)	THK (mm)	H (mm)	L (mm)	ΔT 30° C	ΔT 50° C
BR8P/1830	1	6,35	15	50	1830	888	1106
BR8P/2030	1	7	15	50	2030	888	1106
BR8P/2325	1	8	15	50	2325	888	1106

SMART-ENERGY COPPER PROFILE (1600 A)

EXTRUDED COPPER PROFILE (IN=1600A)

*THE LENGTH OF THE PROFILES CAN BE CUSTOMISED UPON REQUEST

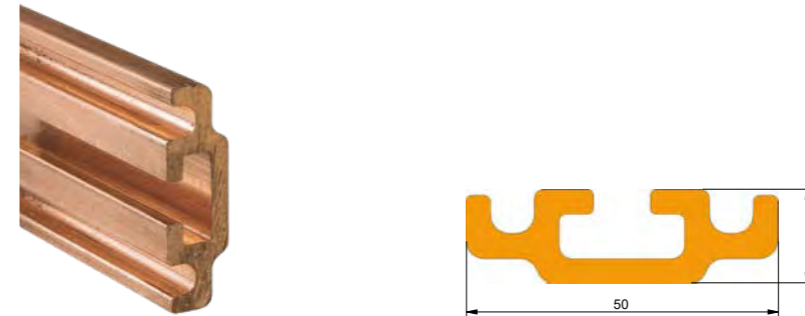


PRODUCT CODE	PACKAGE CONTENT	WEIGHT (KG)	THK (mm)	H (mm)	L (mm)	ΔT 30° C	ΔT 50° C
BR16P/1830	1	12,8	30	50	1830	1477	1832
BR16P/2030	1	14,2	30	50	2030	1477	1832
BR16P/2325	1	16,2	30	50	2325	1477	1832

SMART-ENERGY COPPER PROFILE (1600 A) –NEUTRAL BAR

EXTRUDED COPPER PROFILE (NEUTRAL BAR) - IN=1600A

*THE LENGTH OF THE PROFILES CAN BE CUSTOMISED UPON REQUEST

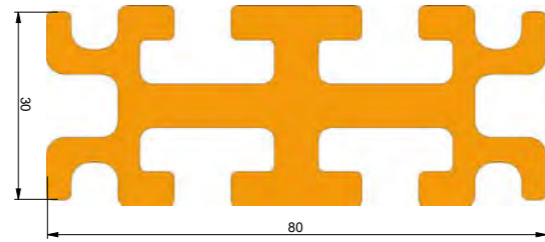


PRODUCT CODE	PACKAGE CONTENT	WEIGHT (KG)	THK (mm)	H (mm)	L (mm)	ΔT 30° C	ΔT 50° C
BR8P/1830	1	6,35	15	50	1830	888	1106
BR8P/2030	1	7	15	50	2030	888	1106
BR8P/2325	1	8	15	50	2325	888	1106

SMART-ENERGY COPPER PROFILE (2000 A)

Extruded copper profile (In=2000A)

*THE LENGTH OF THE PROFILES CAN BE CUSTOMISED UPON REQUEST

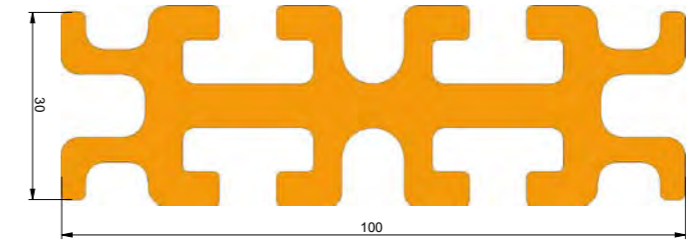


PRODUCT CODE	PACKAGE CONTENT	WEIGHT (KG)	THK (mm)	H (mm)	L (mm)	ΔT 30° C	ΔT 50° C
BR20P/1830	1	21,8	30	80	1830	1980	2509
BR20P/2030	1	24,1	30	80	2030	1980	2509
BR20P/2325	1	27,5	30	80	2325	1980	2509

SMART-ENERGY COPPER PROFILE (2500 A)

Extruded copper profile (In=2500A)

*THE LENGTH OF THE PROFILES CAN BE CUSTOMISED UPON REQUEST

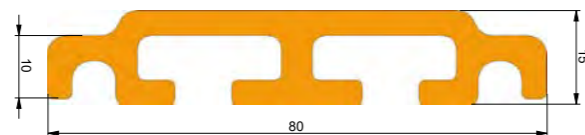


PRODUCT CODE	PACKAGE CONTENT	WEIGHT (KG)	THK (mm)	H (mm)	L (mm)	ΔT 30° C	ΔT 50° C
BR25P/1830	1	25,9	30	100	1830	2475	2957
BR25P/2030	1	39,7	30	100	2030	2475	2957
BR25P/2325	1	34	30	100	2325	2475	2957

SMART-ENERGY COPPER PROFILE (2000 A) – NEUTRAL BAR

Extruded copper profile (neutral bar) - In=2000A

*THE LENGTH OF THE PROFILES CAN BE CUSTOMISED UPON REQUEST

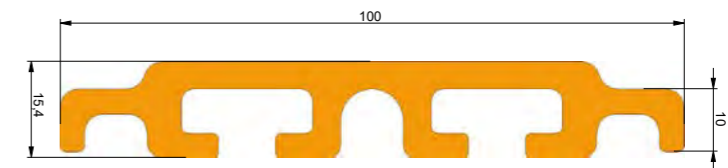


PRODUCT CODE	PACKAGE CONTENT	WEIGHT (KG)	THK (mm)	H (mm)	L (mm)	ΔT 30° C	ΔT 50° C
BR20P/5/1830	1	13,5	15	80	1830	1200	1486
BR20P/5/2030	1	14,9	15	80	2030	1200	1486
BR20P/5/2325	1	17	15	80	2325	1200	1486

SMART-ENERGY COPPER PROFILE (2500 A) – NEUTRAL BAR

Extruded copper profile (neutral bar) - In=2500A

*THE LENGTH OF THE PROFILES CAN BE CUSTOMISED UPON REQUEST

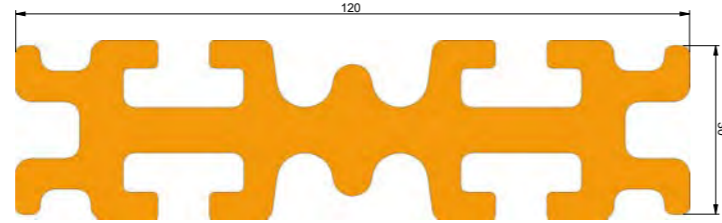


PRODUCT CODE	PACKAGE CONTENT	WEIGHT (KG)	THK (mm)	H (mm)	L (mm)	ΔT 30° C	ΔT 50° C
BR25P/5/1830	1	12,9	15	100	1830	1525	1972
BR25P/5/2030	1	14,9	15	100	2030	1525	1972
BR25P/5/2325	1	17	15	100	2325	1525	1972

SMART-ENERGY COPPER PROFILE (3200 A)

Extruded copper profile (In=3200A)

*THE LENGTH OF THE PROFILES CAN BE CUSTOMISED UPON REQUEST

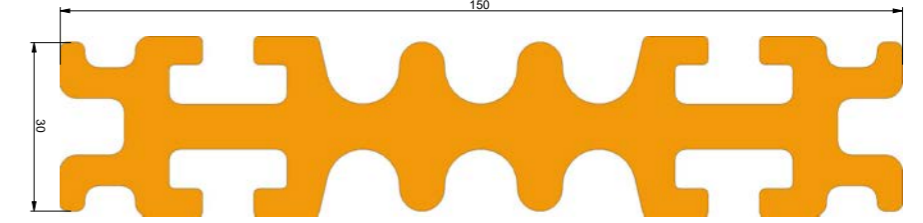


PRODUCT CODE	PACKAGE CONTENT	WEIGHT (KG)	THK (mm)	H (mm)	L (mm)	$\Delta T 30^\circ C$	$\Delta T 50^\circ C$
BR32P/2030	1	38,3	30	120	2030	3129	3694
BR32P/2325	1	43,8	30	120	2325	3129	3694

SMART-ENERGY COPPER PROFILE (4000 A)

Extruded copper profile In=4000A

*THE LENGTH OF THE PROFILES CAN BE CUSTOMISED UPON REQUEST

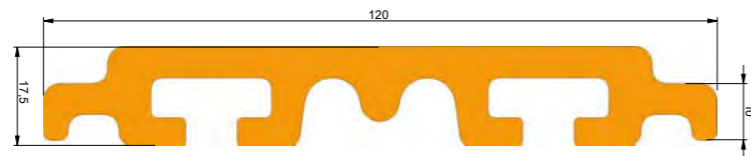
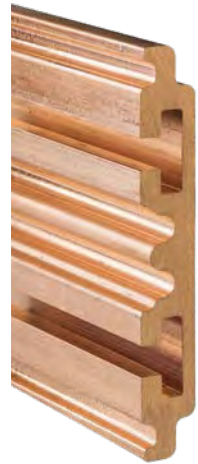


PRODUCT CODE	PACKAGE CONTENT	WEIGHT (KG)	THK (mm)	H (mm)	L (mm)	$\Delta T 30^\circ C$	$\Delta T 50^\circ C$
BR40P/2030	1	48,8	30	150	2030	3953	4563
BR40P/2325	1	55,9	30	150	2325	3953	4563

SMART-ENERGY COPPER PROFILE (3200 A) – NEUTRAL BAR

Extruded copper profile (neutral bar) -In=3200A

*THE LENGTH OF THE PROFILES CAN BE CUSTOMISED UPON REQUEST

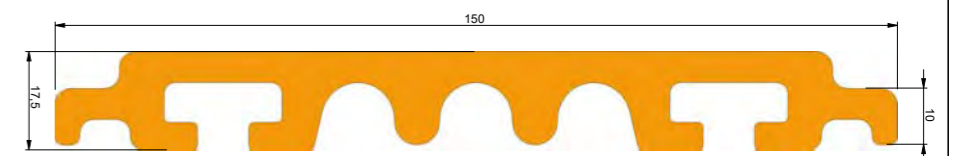


PRODUCT CODE	PACKAGE CONTENT	WEIGHT (KG)	THK (mm)	H (mm)	L (mm)	$\Delta T 30^\circ C$	$\Delta T 50^\circ C$
BR32P/5/2030	1	21,9	17,5	120	2030	2053	2573
BR32P/5/2325	1	25	17,5	120	2325	2053	2573

SMART-ENERGY COPPER PROFILE (4000 A) – NEUTRAL BAR

Extruded copper profile (neutral bar) - In=4000A

*THE LENGTH OF THE PROFILES CAN BE CUSTOMISED UPON REQUEST



PRODUCT CODE	PACKAGE CONTENT	WEIGHT (KG)	THK (mm)	H (mm)	L (mm)	$\Delta T 30^\circ C$	$\Delta T 50^\circ C$
BR40P/5/2030	1	28	17,5	150	2030	2504	3069
BR40P/5/2325	1	32	17,5	150	2325	2504	3069

TIN-PLATED/ NICKEL-PLATED SMART-ENERGY COPPER PROFILE

Tin-plated/ nickel-plated extruded copper profile

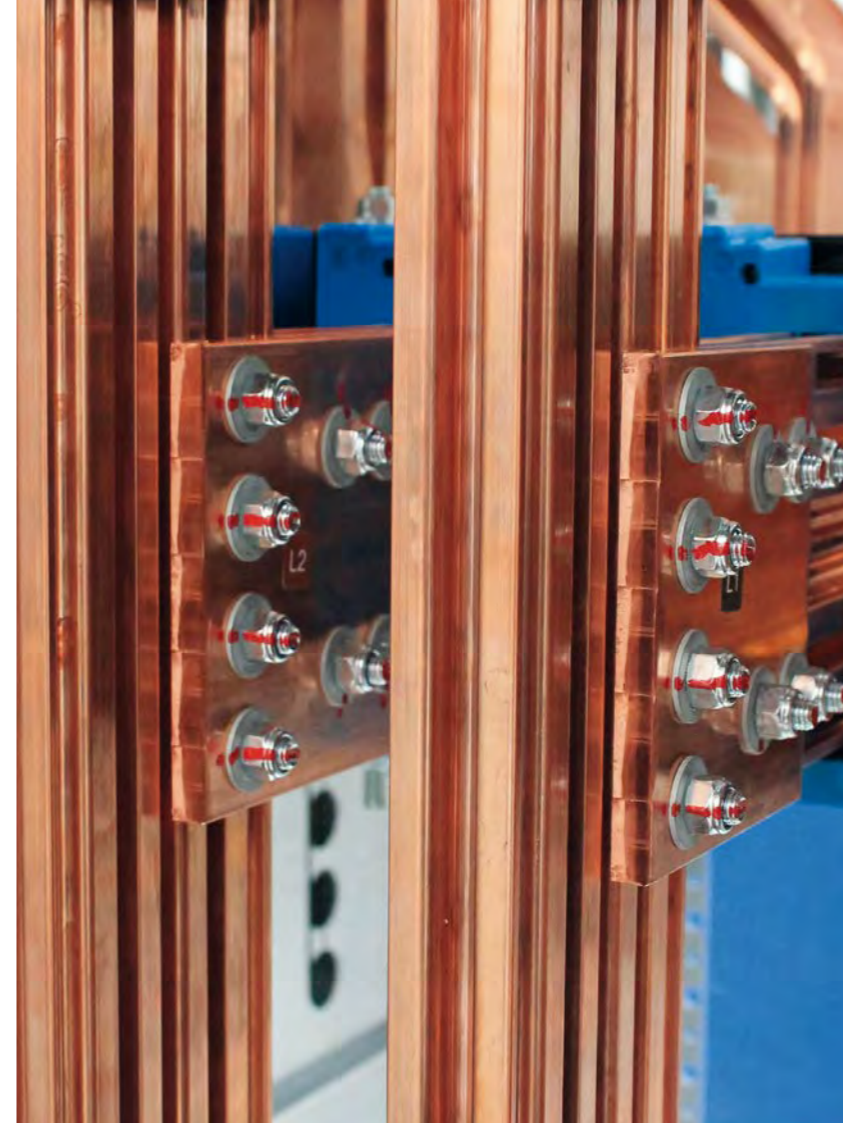


SMART ENERGY COPPER

SMART ENERGY COPPER

INSULATED SMART-ENERGY COPPER PROFILE

Copper bar treated with protective coat and equipped with plastic shutter



JOINTS FOR SMART ENERGY COPPER PROFILES

Three-pole or four-pole copper joints suitable for connections between Smart-Energy Copper profiles up to 4000A. The joints have been designed to perfectly fit all combinations between horizontal and vertical Smart-Energy Copper profiles.

ADVANTAGES

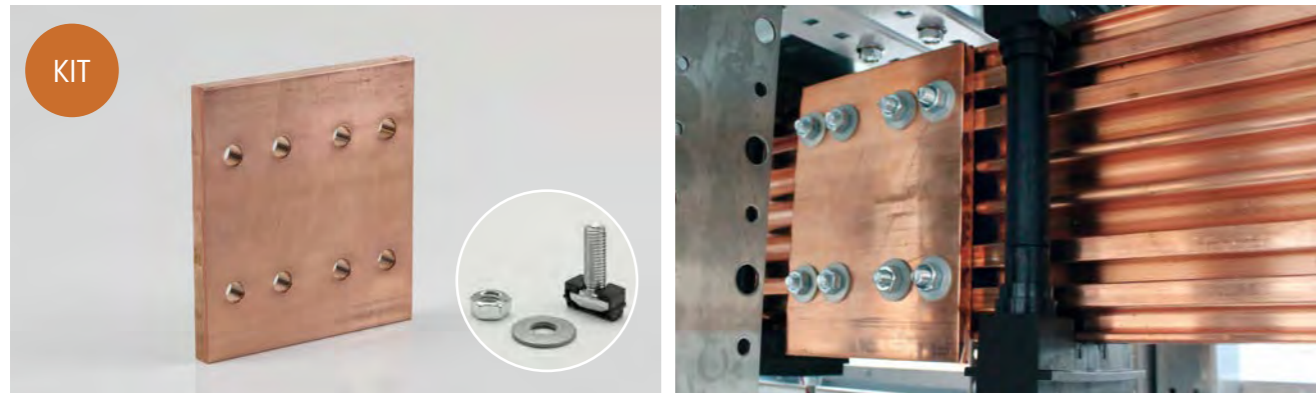
- Maximum compactness
- High speed of assembly

TECHNICAL SPECIFICATIONS

- Copper joints

COPPER JOINTS FOR THREE-POLES/ FOUR-POLES PROFILES (PROFILES ARRANGED HORIZONTALLY)

Copper joints for the connection between Smart-Energy Copper profiles from 800A up to 4000A (Suitable for profiles arranged horizontally).



PRODUCT CODE	PACKAGE CONTENT	WEIGHT (KG)	N.POLES	IN (A)	COPPER CROSS SECTION	LENGTH
GOC83/C	3 joints + 12 screws / nuts	1,7	3	800	50x10	105
GOC84/C	4 joints + 16 screws / nuts	2,3	4	800	50x10	105
GOC163/C	3 joints + 12 screws / nuts	2,4	3	1250 / 1600	60x10	105
GOC164/C	4 joints + 16 screws / nuts	3,1	4	1250 / 1600	60x10	105
GOC203/C	3 joints + 24 screws / nuts	3,9	3	2000	80x10	105
GOC204/C	4 joints + 32 screws / nuts	5,1	4	2000	80x10	105
GOC253/C	3 joints + 24 screws / nuts	4,4	3	2500	100x10	105
GOC254/C	4 joints + 32 screws / nuts	5,9	4	2500	100x10	105
GOC323/C	6 joints + 48 screws / nuts	5	3	3200	120x10	105
GOC324/C	8 joints + 64 screws / nuts	6,6	4	3200	120x10	105
GOC403/C	6 joints + 48 screws / nuts	6	3	4000	160x10	105
GOC404/C	8 joints + 64 screws / nuts	7,95	4	4000	160x10	105

COPPER JOINTS FOR THREE-POLE / FOUR-POLE PROFILES (PROFILES ARRANGED VERTICALLY OR HORIZONTALLY)

Copper joints for the connection between Smart-Energy Copper profiles from 800A up to 4000A (Suitable for profiles arranged vertically or horizontally).



PRODUCT CODE	PACKAGE CONTENT	WEIGHT (KG)	N.POLES	IN (A)	COPPER CROSS SECTION	LENGTH
GVC83/C	3 joints + 24 screws / nuts	2,55	3	800	50x10	105
GVC84/C	4 joints + 32 screws / nuts	3,4	4	800	50x10	105
GVC163/C	3 joints + 24 screws / nuts	3	3	1250 / 1600	60x10	105
GVC164/C	4 joints + 32 screws / nuts	4	4	1250 / 1600	60x10	105
GVC203/C	3 joints + 24 screws / nuts	3,8	3	2000	80x10	105
GVC204/C	4 joints + 32 screws / nuts	5	4	2000	80x10	105
GVC253/C	3 joints + 24 screws / nuts	4,3	3	2500	100x10	105
GVC254/C	4 joints + 32 screws / nuts	5,7	4	2500	100x10	105
GVC323/C	6 joints + 48 screws / nuts	5	3	3200	120x10	105
GVC324/C	8 joints + 64 screws / nuts	6,6	4	3200	120x10	105
GVC403/C	6 joints + 48 screws / nuts	6	3	4000	160x10	105
GVC404/C	8 joints + 64 screws / nuts	7,95	4	4000	160x10	105

SMART-ENERGY ACCESSORIES BASIC PLUS COPPER

COMPREHENSIVE RANGE OF ACCESSORIES
DEVELOPED TO MAKE WIRING EASIER AND QUICKER



HAMMER-HEAD SCREWS

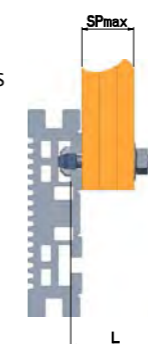
Anti-rotation patented screws, (available lengths: 20mm, 30mm, 40mm)



KIT CONTENT

The product kit includes:

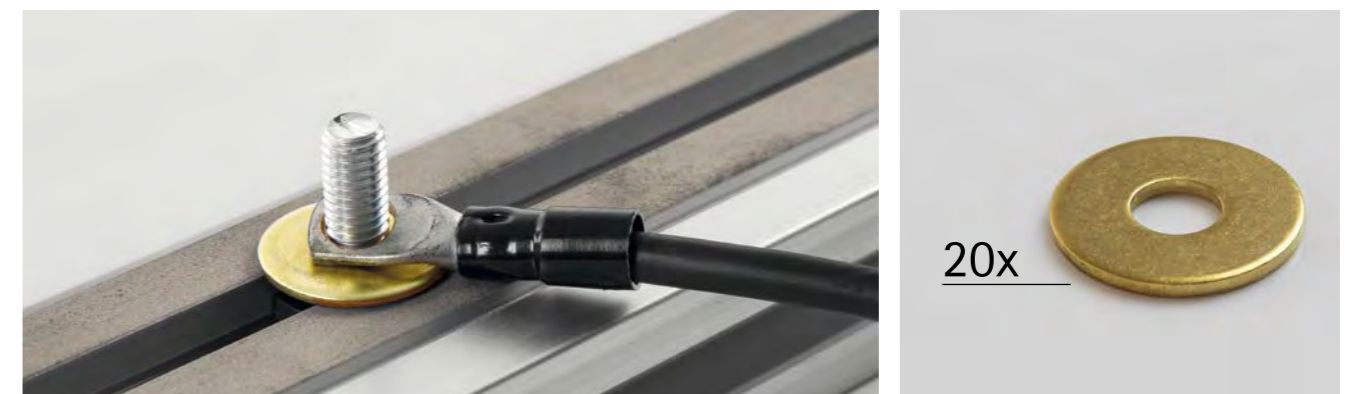
- No. 20 hammer-head screws, washers and nuts



PRODUCT CODE	PACKAGE CONTENT	WEIGHT (KG)	L (mm) x Ø	THK max (mm)	
KSE/25	20 screws / nuts	0,26	25 x 8	6	
KSE/30	20 screws / nuts	0,32	30 x 8	11	
KSE/35	20 screws / nuts	0,35	35 x 8	16	
KSE/40	20 screws / nuts	0,37	40 x 8	20	
KSE/50	20 screws / nuts	0,40	50 x 8	30	
KSE10/35	20 screws / nuts	0,45	35 x 10	16	New
KSE10/45	20 screws / nuts	0,52	45 x 10	20	New
KSE10/55	20 screws / nuts	0,59	55 x 10	30	New

BRASS WASHER

M8 (24X2 Thickness) brass washer



KIT CONTENT

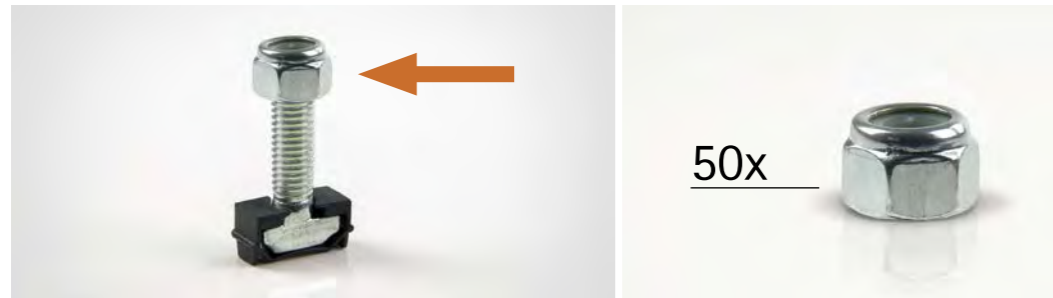
The product kit includes:

- No. 20 washers (24x2 thickness)

PRODUCT CODE	PACKAGE CONTENT	WEIGHT (KG)
ROM08/C	20 washers	0,3

SELF-LOCKING NUT

M8 white galvanized nut suitable for a quick fastening of the joints. It facilitates the 90° rotation of the screw.



KIT CONTENT

- The product kit includes:
- No. 50 self-locking nuts (24x2 thickness)

PRODUCT CODE	PACKAGE CONTENT	WEIGHT (KG)
DAB08/50/C	50 nuts	0,22

INSULATED CAP FOR SCREWS

Insulated cap for M8 screws.



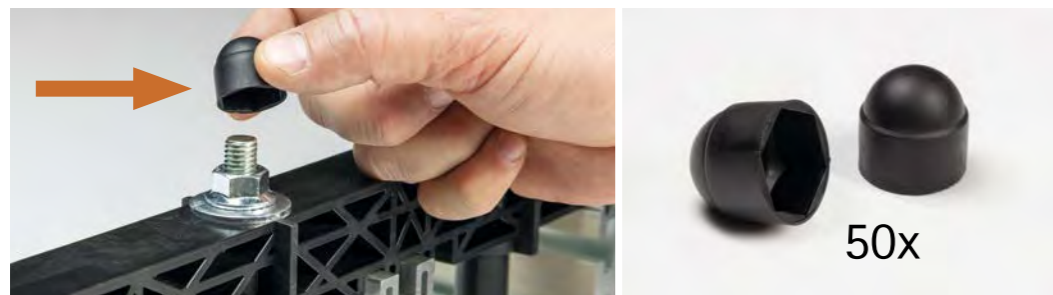
KIT CONTENT

- The product kit includes:
- No. 50 screw caps

PRODUCT CODE	PACKAGE CONTENT	WEIGHT (KG)
TCV8/C	50 caps	0,7

INSULATED CAP FOR BUSBAR HOLDER NUTS

Insulated cap for M10 nuts.



KIT CONTENT

- The product kit includes:
- No. 50 caps

PRODUCT CODE	PACKAGE CONTENT	WEIGHT (KG)
TCV10/C	50 caps	0,9

BAR FOR MODULAR CIRCUIT BREAKERS CONNECTION



KIT CONTENT

- The product kit includes:
- No. 4 M6 prepunched bars
 - No. 8 25x8 hammer-head screws equipped with washers and nuts

PRODUCT CODE	PACKAGE CONTENT	WEIGHT (KG)
BCM8/C	4 bars and 8 screws / nuts	0,76

PHASES AND NEUTRAL MARKERS FOR SMART-ENERGY PROFILES

Set of markers allowing an easy identification of neutral and phases



KIT CONTENT

- The product kit includes:
- No. 4 markers (L1, L2, L3, N)

PRODUCT CODE	PACKAGE CONTENT	WEIGHT (KG)
IFN/10/C	10 kits	-

PHASES FILLER MODULES

Phases filler modules for linear busbar holders





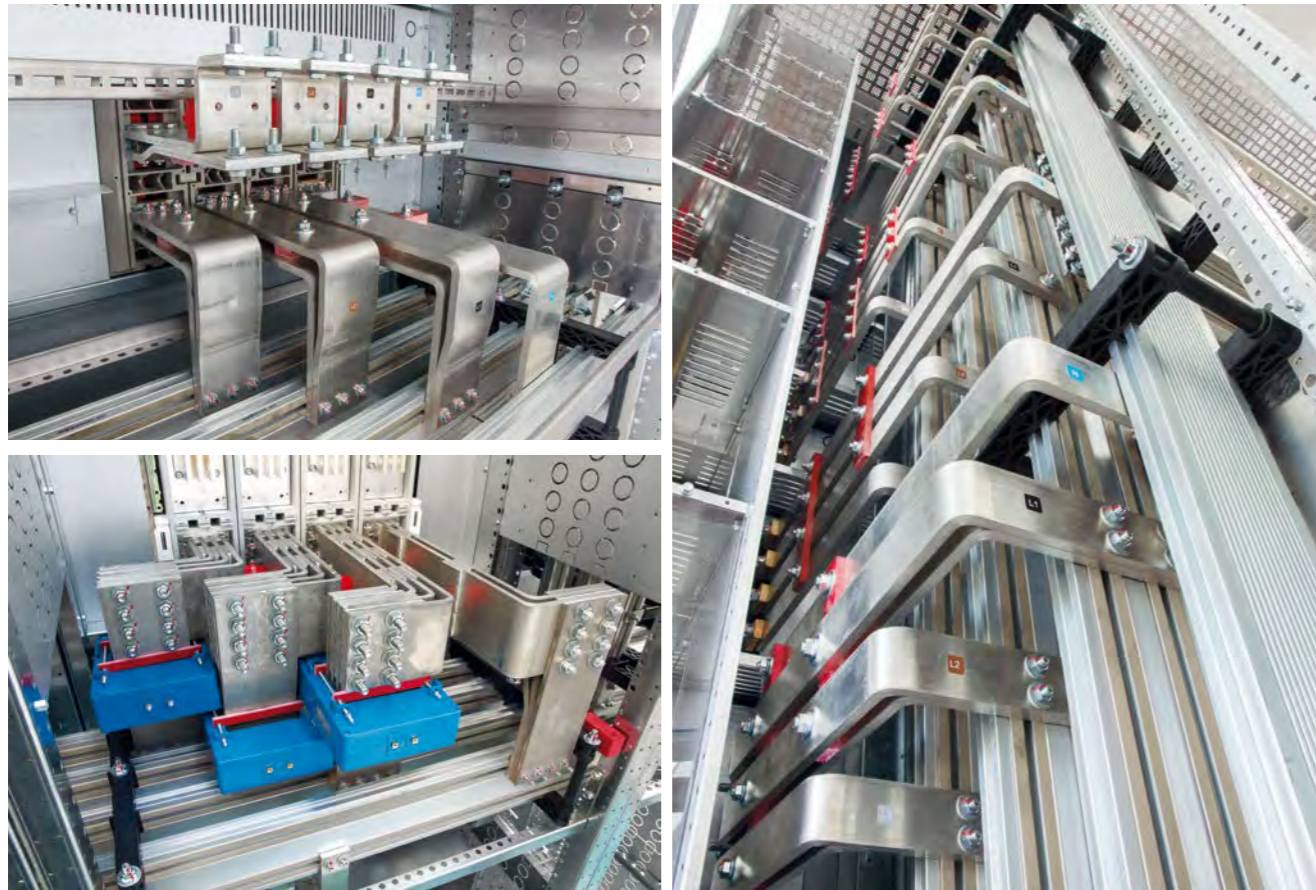
PRODUCT CODE	PACKAGE CONTENT	WEIGHT (KG)
AB5/C	1 kit thickness 5 mm	0,23
AB10/C	1 kit thickness 10 mm	0,24

PUNCHING OIL

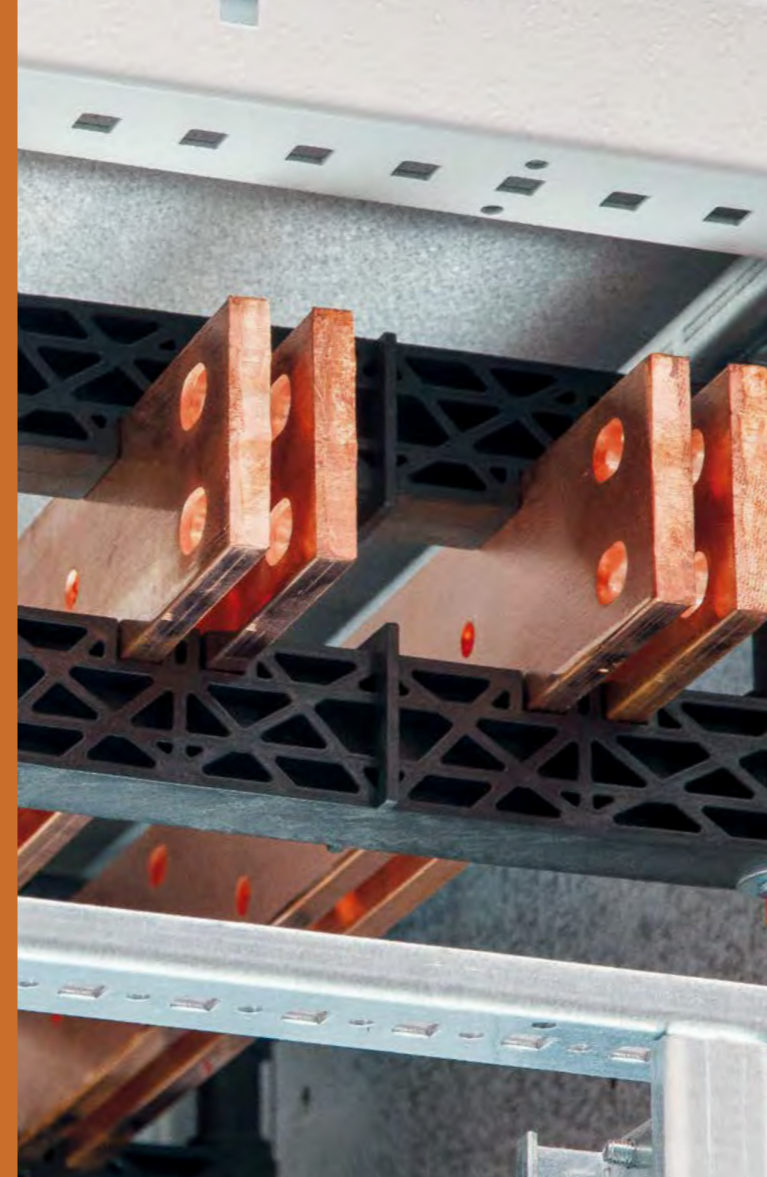
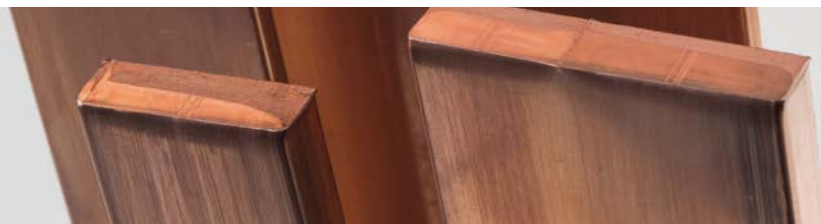
Oil for aluminium bars punching.



 PRODUCT CODE	 CONTENT
OLP	1 liter



LINEAR BUSBAR HOLDERS



LINEAR BUSBAR HOLDERS FOR FLAT COPPER OR ALUMINIUM BARS

LINEAR BUSBAR HOLDERS

Linear polyamide busbar holders for flat copper or aluminium bars up to 4000A (Single-line busbar holder) and up to 6300A (Double-line busbar holder). The very simple pattern of consisting of two identical pieces offers maximum accessibility to the cabinet, making wiring quick and easy. The space-saving design allows Linear busbar holders to be installed on the back, on the side or at the top of the electrical cabinet.

ADVANTAGES

- High speed of assembly
- Versatile design for a wide range of applications
- High-strength solution

TECHNICAL SPECIFICATIONS

- Glass-fiber reinforced polyamide 6/6
- Compliance with UL 94-V0 self-extinguishing requirements
- Continuous operating temperature: 113 °C
- Glow wire test: 965 °C
- Colour: Black

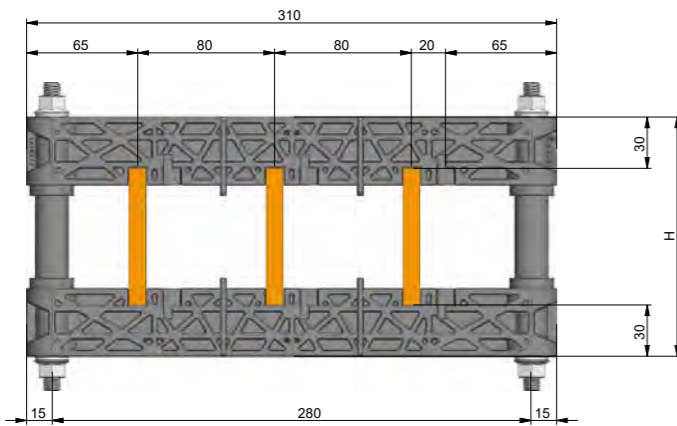


CERTIFICATIONS

B5002265	Verification of the short-circuit withstand of the main circuits Verification of the efficiency of the protection circuit Verification of the short-circuit withstand of the protection circuit	Inom=6300A Icc=105 kA
B7001848	Verification of the short-circuit withstand of the main circuits	Inom=3200A Icc=105 kA
B8020496	Verification of the short-circuit withstand of the main circuits	Inom=6300A Icc=105 kA

THREE-POLE LINEAR BUSBAR HOLDERS FOR FLAT COPPER BARS (MOUNTING DISTANCE BETWEEN BUSBAR HOLDERS= 80 MM)

Three-pole busbar holders for flat copper bars from 630A up to 2500A



PRODUCT CODE	PACKAGE CONTENT	WEIGHT (KG)	PROFILE SIZE (HxTHK)	H (MM)	In (A)
IS36308CU1/C	cod. ISP80/3/C, cod. AB/10C cod. TUB202/C	1,1	40x10	100	630
IS38008CU1/C	cod. ISP80/3/C, cod. AB/10C cod. TUB302/C	1,1	50x10	110	800
IS31008CU1/C	cod. ISP80/3/C, cod. AB/10C cod. TUB402/C	1,1	60x10	120	1000
IS31208CU1/C	cod. ISP80/3/C, cod. AB/10C cod. TUB602/C	1,1	80x10	140	1250
IS31608CU1/C	cod. ISP80/3/C, cod. AB/10C cod. TUB802/C	1,2	100x10	160	1600
IS318008CU1/C	cod. ISP80/3/C, cod. AB/10C cod. TUB102/C	1,2	120x10	180	1800
IS32008CU1/C	cod. ISP80/3/C, cod. AB/10C cod. TUB142/C	1,3	160x10	220	2000
IS32508CU1/C	cod. ISP80/3/C, cod. AB/10C cod. TUB182/C	1,4	200x10	260	2500

MAXIMUM MOUNTING DISTANCE BETWEEN BUSBAR HOLDERS								
Rating (A)	630A	800A	1000A	1250A	1600A	1800A	2000A	2500A
Max. mounting distance	lcc	lcc	lcc	lcc	lcc	lcc	lcc	lcc
1000mm	16 kA	16 kA	20 kA	20 kA	25 kA	25 kA	30 kA	35 kA
950mm	16 kA	16 kA	20 kA	20 kA	25 kA	30 kA	35 kA	35 kA
900mm	16 kA	16 kA	20 kA	20 kA	25 kA	30 kA	35 kA	40 kA
850mm	16 kA	16 kA	20 kA	20 kA	25 kA	30 kA	35 kA	40 kA
800mm	20 kA	20 kA	25 kA	25 kA	30 kA	35 kA	40 kA	45 kA
750mm	25 kA	25 kA	25 kA	30 kA	35 kA	40 kA	40 kA	45 kA
700mm	25 kA	25 kA	25 kA	30 kA	35 kA	45 kA	40 kA	45 kA
650mm	25 kA	25 kA	25 kA	30 kA	35 kA	45 kA	45 kA	50 kA
600mm	25 kA	30 kA	30 kA	35 kA	40 kA	40 kA	50 kA	55 kA
550mm	25 kA	30 kA	35 kA	40 kA	45 kA	50 kA	55 kA	55 kA
500mm	30 kA	35 kA	40 kA	45 kA	50 kA	55 kA	60 kA	60 kA
450mm	35 kA	40 kA	45 kA	50 kA	55 kA	60 kA	70 kA	70 kA
400mm	40 kA	45 kA	50 kA	55 kA	60 kA	70 kA	75 kA	75 kA
350mm	45 kA	50 kA	55 kA	65 kA	70 kA	80 kA	80 kA	80 kA
300mm	50 kA	60 kA	65 kA	75 kA	85 kA	85 kA	85 kA	85 kA
250mm	60 kA	70 kA	75 kA	85 kA				
200mm	80 kA	85 kA	85 kA					
Code	IS36308CU1/C	IS3808CU1/C	IS31008CU1/C	IS31208CU1/C	IS31608CU1/C	IS31808CU1/C	IS32008CU1/C	IS32508CU1/C

THREE-POLE LOWER BASE

(Mounting distance between busbar holders= 80 mm)

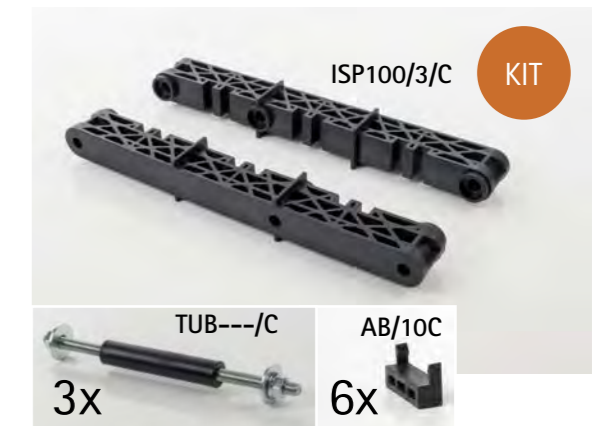
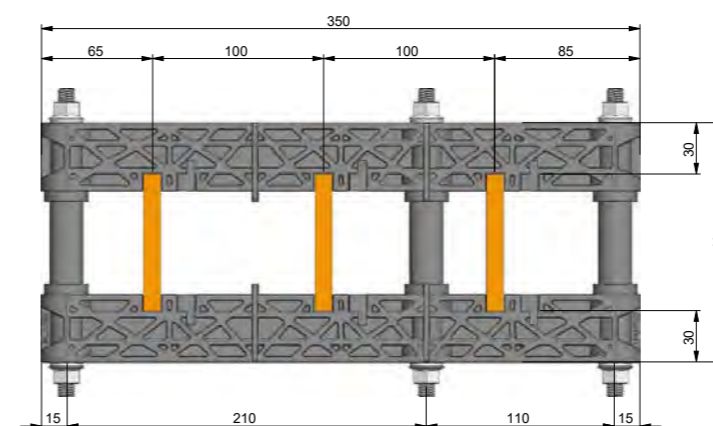
Lower base for applications from 630A up to 2500A

PRODUCT CODE	PACKAGE CONTENT	WEIGHT (KG)	In (A)
ISB308CU/C	1	1,4	from 630A up to 2500A



THREE-POLE LINEAR BUSBAR HOLDERS FOR FLAT COPPER BARS (MOUNTING DISTANCE BETWEEN BUSBAR HOLDERS= 100 MM)

Three-pole busbar holders for flat copper bars from 630A up to 2500A



PRODUCT CODE	PACKAGE CONTENT	WEIGHT (KG)	PROFILE SIZE (HxTHK)	H (MM)	In (A)
IS36310CU1/C	cod. ISP100/3/C, cod. AB/10C cod. TUB203/C	1,3	40x10	100	630
IS3810CU1/C	cod. ISP100/3/C, cod. AB/10C cod. TUB303/C	1,3	50x10	110	800
IS31010CU1/C	cod. ISP100/3/C, cod. AB/10C cod. TUB403/C	1,4	60x10	120	1000
IS31210CU1/C	cod. ISP100/3/C, cod. AB/10C cod. TUB603/C	1,5	80x10	140	1250
IS31610CU1/C	cod. ISP100/3/C, cod. AB/10C cod. TUB803/C	1,5	100x10	160	1600
IS32010CU1/C	cod. ISP100/3/C, cod. AB/10C cod. TUB143/C	1,7	160x10	220	2000
IS32510CU1/C	cod. ISP100/3/C, cod. AB/10C cod. TUB183/C	1,8	200x10	260	2500

MAXIMUM MOUNTING DISTANCE BETWEEN BUSBAR HOLDERS							
Rating (A)	630A	800A	1000A	1250A	1600A	2000A	2500A
Max. mounting distance	lcc	lcc	lcc	lcc	lcc	lcc	lcc
1000mm	16 kA	20 kA	20 kA	25 kA	25 kA	35 kA	35 kA
950mm	20 kA	25 kA	25 kA	25 kA	30 kA	35 kA	35 kA
900mm	20 kA	25 kA	25 kA	25 kA	30 kA	40 kA	40 kA
850mm	20 kA	25 kA	25 kA	25 kA	30 kA	40 kA	40 kA
800mm	20 kA	25 kA	25 kA	30 kA	35 kA	45 kA	45 kA
750mm	25 kA	25 kA	30 kA	35 kA	40 kA	45 kA	45 kA
700mm	25 kA	30 kA	30 kA	35 kA	40 kA	50 kA	50 kA
650mm	25 kA	30 kA	30 kA	35 kA	40 kA	50 kA	50 kA
600mm	30 kA	35 kA	35 kA	40 kA	45 kA	50 kA	50 kA
550mm	30 kA	35 kA	40 kA	45 kA	50 kA	60 kA	60 kA
500mm	35 kA	40 kA	45 kA	50 kA	55 kA	65 kA	65 kA
450mm	40 kA	45 kA	50 kA	55 kA	60 kA	80 kA	80 kA
400mm	45 kA	50 kA	55 kA	60 kA	70 kA	85 kA	85 kA
350mm	50 kA	55 kA	60 kA	70 kA	80 kA	95 kA	95 kA
300mm	60 kA	65 kA	70 kA	85 kA	95 kA	100 kA	100 kA
250mm	70 kA	80 kA	85 kA	100 kA	105 kA	105 kA	105 kA
200mm	85 kA	100 kA	105 kA	105 kA			
Code	IS36310CU1/C	IS3810CU1/C	IS31010CU1/C	IS31210CU1/C	IS31610CU1/C	IS32010CU1/C	IS32510CU1/C

THREE-POLE LOWER BASE

(Mounting distance between busbar holders= 100 mm)

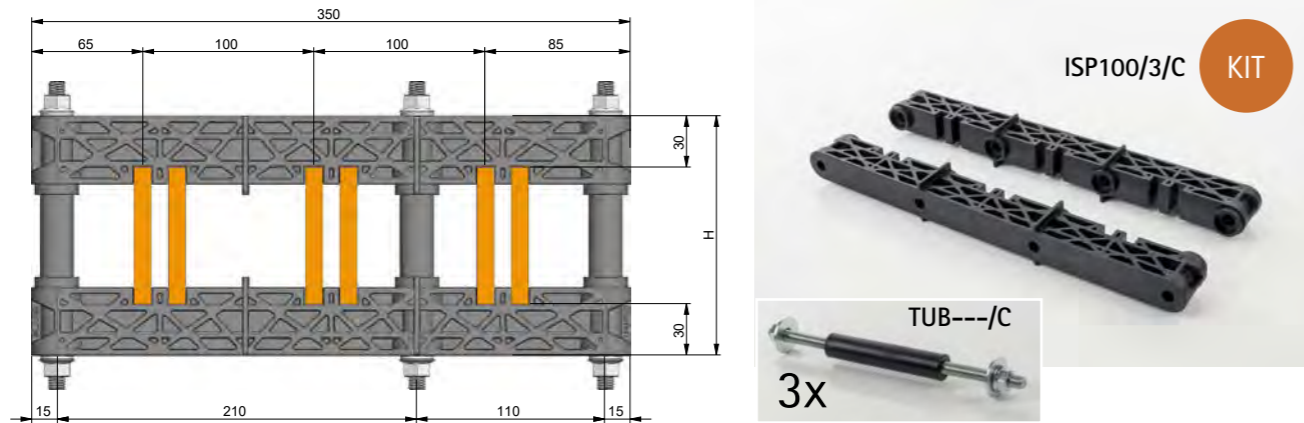
Lower base for applications from 630A up to 2500A

PRODUCT CODE	PACKAGE CONTENT	WEIGHT (KG)	In (A)
ISB310CU/C	1	1,6	from 630A up to 2500A



THREE-POLE LINEAR BUSBAR HOLDERS FOR FLAT COPPER BARS (DOUBLE BAR PER PHASE, MOUNTING DISTANCE BETWEEN BUSBAR HOLDERS= 100 MM)

Three-pole busbar holders for double flat copper bars from 1600A up to 4300A



PRODUCT CODE	PACKAGE CONTENT	WEIGHT (KG)	PROFILE SIZE (HxTHK)	H (MM)	In (A)
IS31610CU2/C	cod. ISP100/3/C cod. TUB303/C	1,3	50x10	110	1600
IS31810CU2/C	cod. ISP100/3/C cod. TUB403/C	1,3	60x10	120	1800
IS32010CU2/C	cod. ISP100/3/C cod. TUB603/C	1,4	80x10	140	2000
IS32510CU2/C	cod. ISP100/3/C cod. TUB803/C	1,4	100x10	160	2500
IS33210CU2/C	cod. ISP100/3/C cod. TUB103/C	1,5	120x10	180	3000
IS33610CU2/C	cod. ISP100/3/C cod. TUB143/C	1,7	160x10	220	3600
IS34310CU2/C	cod. ISP100/3/C cod. TUB183/C	1,8	200x10	260	4300

MAXIMUM MOUNTING DISTANCE BETWEEN BUSBAR HOLDERS							
Rating (A)	1600A	1800A	2000A	2500A	3000A	3600A	4300A
Max. mounting distance	lcc	lcc	lcc	lcc	lcc	lcc	lcc
1000mm	20 kA	20 kA	25 kA	30 kA	35 kA	40 kA	50 kA
950mm	20 kA	20 kA	25 kA	30 kA	35 kA	45 kA	50 kA
900mm	20 kA	20 kA	25 kA	35 kA	40 kA	45 kA	55 kA
850mm	20 kA	20 kA	25 kA	35 kA	40 kA	45 kA	55 kA
800mm	20 kA	25 kA	30 kA	40 kA	45 kA	50 kA	60 kA
750mm	25 kA	30 kA	35 kA	40 kA	45 kA	50 kA	65 kA
700mm	25 kA	30 kA	35 kA	45 kA	45 kA	50 kA	70 kA
650mm	25 kA	30 kA	40 kA	45 kA	45 kA	55 kA	70 kA
600mm	30 kA	35 kA	45 kA	50 kA	55 kA	60 kA	75 kA
550mm	30 kA	35 kA	45 kA	55 kA	60 kA	65 kA	75 kA
500mm	35 kA	40 kA	50 kA	60 kA	70 kA	70 kA	80 kA
450mm	40 kA	45 kA	55 kA	65 kA	75 kA	75 kA	90 kA
400mm	45 kA	50 kA	65 kA	75 kA	85 kA	95 kA	95 kA
350mm	50 kA	60 kA	75 kA	85 kA	90 kA	100 kA	100 kA
300mm	60 kA	70 kA	85 kA	100 kA	105 kA	105 kA	105 kA
250mm	70 kA	85 kA	105 kA	105 kA			
200mm	90 kA	105 kA					
Code	IS31610CU2/C	IS31810CU2/C	IS32010CU2/C	IS32510CU2/C	IS33210CU2/C	IS33610CU2/C	IS34310CU2/C

THREE-POLE LOWER BASE (double bar per phase)

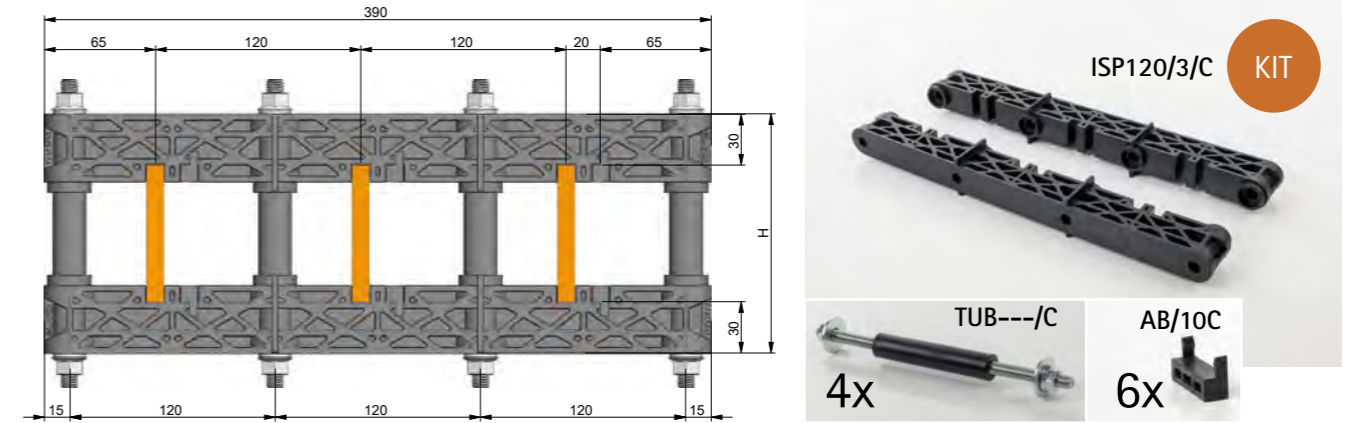
(Mounting distance between busbar holders= 100 mm)
Lower base for double flat copper bars from 1600A up to 4300A

PRODUCT CODE	PACKAGE CONTENT	WEIGHT (KG)	In (A)
ISB310CU/C	1	1,6	from 1600A up to 4300A



THREE-POLE LINEAR BUSBAR HOLDERS FOR FLAT COPPER BARS (MOUNTING DISTANCE BETWEEN BUSBAR HOLDERS= 120 MM)

Three-pole busbar holders for double flat copper bars from 630A up to 1600A



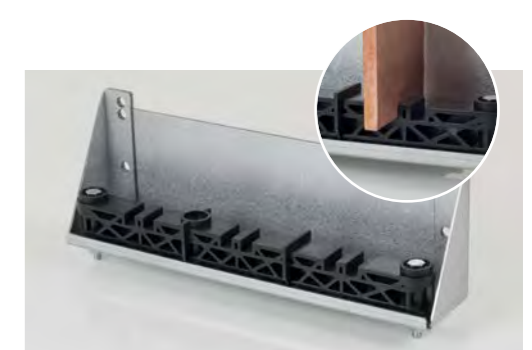
PRODUCT CODE	PACKAGE CONTENT	WEIGHT (KG)	PROFILE SIZE (HxTHK)	H (MM)	In (A)
IS36312CU1/C	cod. ISP120/3/C, cod. AB/10C cod. TUB304/C	1,6	40x10	100	630
IS38012CU1/C	cod. ISP120/3/C, cod. AB/10C cod. TUB304/C	1,6	50x10	110	800
IS31012CU1/C	cod. ISP120/3/C, cod. AB/10C cod. TUB404/C	1,6	60x10	120	1000
IS31212CU1/C	cod. ISP120/3/C, cod. AB/10C cod. TUB604/C	1,7	80x10	140	1250
IS31612CU1/C	cod. ISP120/3/C, cod. AB/10C cod. TUB804/C	1,8	100x10	160	1600

MAXIMUM MOUNTING DISTANCE BETWEEN BUSBAR HOLDERS					
Rating (A)	630A	800A	1000A	1250A	1600A
Max. mounting distance	lcc	lcc	lcc	lcc	lcc
1000mm	20 kA	20 kA	25 kA	25 kA	30 kA
950mm	20 kA	20 kA	25 kA	30 kA	30 kA
900mm	20 kA	20 kA	25 kA	30 kA	35 kA
850mm	20 kA	20 kA	25 kA	30 kA	35 kA
800mm	25 kA	25 kA	30 kA	35 kA	40 kA
750mm	25 kA	25 kA	30 kA	35 kA	40 kA
700mm	25 kA	25 kA	35 kA	40 kA	45 kA
650mm	25 kA	25 kA	35 kA	40 kA	45 kA
600mm	30 kA	30 kA	40 kA	45 kA	50 kA
550mm	35 kA	35 kA	45 kA	50 kA	55 kA
500mm	40 kA	40 kA	50 kA	55 kA	60 kA
450mm	45 kA	45 kA	55 kA	60 kA	65 kA
400mm	50 kA	50 kA	60 kA	70 kA	75 kA
350mm	55 kA	55 kA	65 kA	80 kA	85 kA
300mm	65 kA	65 kA	80 kA	90 kA	100 kA
250mm	75 kA	75 kA	95 kA	100 kA	100 kA
200mm	95 kA	95 kA	105 kA	105 kA	105 kA
Code	IS36312CU1/C	IS38012CU1/C	IS31012CU1/C	IS31212CU1/C	IS31612CU1/C

THREE-POLE LOWER BASE

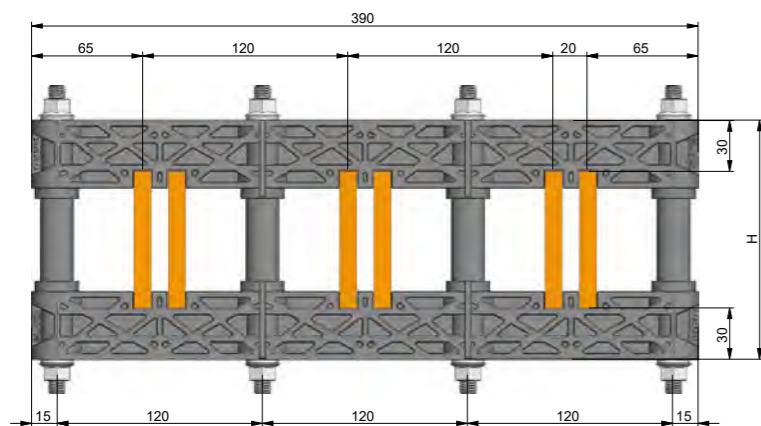
(Mounting distance between busbar holders= 120 mm)
Lower base for double flat copper bars from 630A up to 1600A

PRODUCT CODE	PACKAGE CONTENT	WEIGHT (KG)	In (A)
ISB312CU/C	1	1,7	from 630A up to 1600A



THREE-POLE LINEAR BUSBAR HOLDERS FOR FLAT COPPER BARS (DOUBLE BAR PER PHASE, MOUNTING DISTANCE BETWEEN BUSBAR HOLDERS= 120 MM)

Three-pole busbar holders for flat copper bars from 1600A up to 4300A



PRODUCT CODE	PACKAGE CONTENT	WEIGHT (KG)	PROFILE SIZE (HxTHK)	H (MM)	In (A)
IS31612CU2/C	cod. ISP120/3/C, cod. AB/10C cod. TUB304/C	1,6	50x10	110	1600
IS31812CU2/C	cod. ISP120/3/C, cod. AB/10C cod. TUB404/C	1,6	60x10	120	1800
IS32012CU2/C	cod. ISP120/3/C, cod. AB/10C cod. TUB604/C	1,7	80x10	140	2000
IS32512CU2/C	cod. ISP120/3/C, cod. AB/10C cod. TUB804/C	1,5	100x10	160	2500
IS33012CU2/C	cod. ISP120/3/C, cod. AB/10C cod. TUB104/C	1,9	120x10	180	3000
IS33612CU2/C	cod. ISP120/3/C, cod. AB/10C cod. TUB144/C	2	160x10	220	3600
IS34312CU2/C	cod. ISP120/3/C, cod. AB/10C cod. TUB184/C	2,2	200x10	260	4300

MAXIMUM MOUNTING DISTANCE BETWEEN BUSBAR HOLDERS

Max. mounting distance l, Nom	lcc	lcc	lcc	lcc	lcc	lcc	lcc
	1600A	1800A	2000A	2500A	3000A	3600A	4300A
1000mm	20 kA	20 kA	25 kA	30 kA	35 kA	45 kA	50 kA
950mm	20 kA	20 kA	30 kA	35 kA	40 kA	50 kA	55 kA
900mm	20 kA	20 kA	30 kA	35 kA	40 kA	50 kA	55 kA
850mm	20 kA	20 kA	30 kA	35 kA	40 kA	50 kA	55 kA
800mm	25 kA	25 kA	35 kA	40 kA	45 kA	55 kA	60 kA
750mm	25 kA	30 kA	40 kA	40 kA	45 kA	55 kA	60 kA
700mm	25 kA	30 kA	40 kA	45 kA	45 kA	55 kA	60 kA
650mm	25 kA	30 kA	40 kA	45 kA	45 kA	55 kA	60 kA
600mm	30 kA	35 kA	45 kA	50 kA	50 kA	60 kA	65 kA
550mm	35 kA	40 kA	45 kA	55 kA	60 kA	75 kA	80 kA
500mm	40 kA	45 kA	50 kA	60 kA	70 kA	80 kA	85 kA
450mm	45 kA	50 kA	60 kA	65 kA	75 kA	95 kA	95 kA
400mm	50 kA	55 kA	65 kA	80 kA	90 kA	100 kA	105 kA
350mm	55 kA	60 kA	75 kA	90 kA	100 kA	105 kA	
300mm	65 kA	70 kA	90 kA	105 kA	105 kA		
250mm	90 kA	85 kA	100 kA				
200mm	95 kA	105 kA	105 kA				
Code	IS31612CU2/C	IS31812CU2/C	IS32012CU2/C	IS32512CU2/C	IS33012CU2/C	IS33612CU2/C	IS34312CU2/C

THREE-POLE LOWER BASE

(Mounting distance between busbar holders= 120 mm)

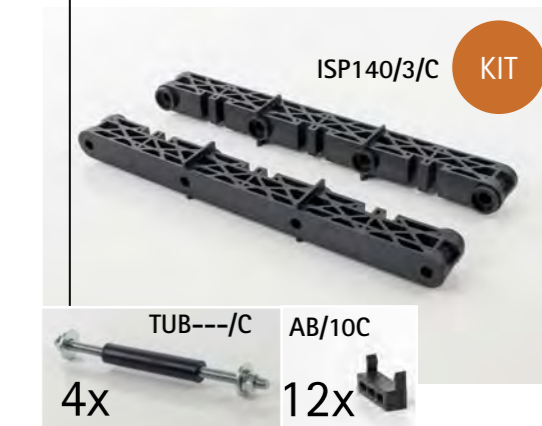
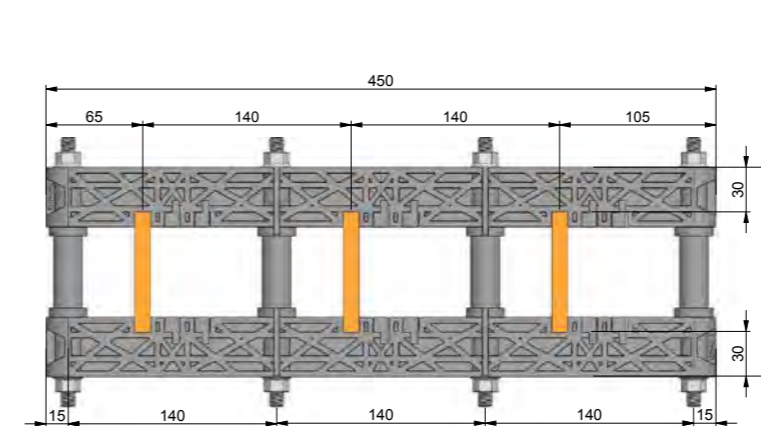
Lower base for flat copper bars from 1600A up to 4300A

PRODUCT CODE	PACKAGE CONTENT	WEIGHT (KG)	In (A)
ISB312CU/C	1	1,7	from 1600A up to 4300A



THREE-POLE LINEAR BUSBAR HOLDERS FOR FLAT COPPER BARS (NEUTRAL=100%) (MOUNTING DISTANCE BETWEEN BUSBAR HOLDERS= 140 MM)

Three-pole busbar holders for flat copper bars from 630A up to 2000A (neutral= 100%)



PRODUCT CODE	PACKAGE CONTENT	WEIGHT (KG)	PROFILE SIZE (HxTHK)	H (MM)	In (A)
IS36314CU1/C	cod. ISP140/3/C, cod. AB/10C, cod. TUB205/C	1,9	40x10	100	630
IS38014CU1/C	cod. ISP140/3/C, cod. AB/10C, cod. TUB305/C	2	50x10	110	800
IS31014CU1/C	cod. ISP140/3/C, cod. AB/10C, cod. TUB405/C	2,1	60x10	120	1000
IS31214CU1/C	cod. ISP140/3/C, cod. AB/10C, cod. TUB605/C	2,2	80x10	140	1250
IS31614CU1/C	cod. ISP140/3/C, cod. AB/10C, cod. TUB805/C	2,3	100x10	160	1600
IS31814CU1/C	cod. ISP140/3/C, cod. AB/10C, cod. TUB105/C	2,4	120x10	180	1800
IS32014CU1/C	cod. ISP140/3/C, cod. AB/10C, cod. TUB145/C	2,5	160x10	220	2000

MAXIMUM MOUNTING DISTANCE BETWEEN BUSBAR HOLDERS

Rating (A)	630A	800A	1000A	1250A	1600A	1800A	2000A
Max. mounting distance	lcc	lcc	lcc	lcc	lcc	lcc	lcc
1000mm	20 kA	20 kA	25 kA	30 kA	35 kA	35 kA	40 kA
950mm	20 kA	25 kA	25 kA	30 kA	35 kA	40 kA	45 kA
900mm	20 kA	25 kA	30 kA	30 kA	35 kA	40 kA	45 kA
850mm	25 kA	25 kA	30 kA	35 kA	40 kA	45 kA	50 kA
800mm	25 kA	30 kA	30 kA	35 kA	40 kA	45 kA	50 kA
750mm	25 kA	30 kA	35 kA	40 kA	45 kA	50 kA	55 kA
700mm	30 kA	35 kA	35 kA	45 kA	50 kA	50 kA	55 kA
650mm	30 kA	35 kA	40 kA	45 kA	50 kA	55 kA	55 kA
600mm	35 kA	40 kA	45 kA	50 kA	55 kA	55 kA	55 kA
550mm	40 kA	45 kA	45 kA	55 kA	60 kA	60 kA	60 kA
500mm	40 kA	50 kA	50 kA	60 kA	65 kA	70 kA	80 kA
450mm	45 kA	50 kA	55 kA	65 kA	75 kA	80 kA	95 kA
400mm	50 kA	55 kA	65 kA	75 kA	80 kA	90 kA	105 kA
350mm	60 kA	65 kA	70 kA	85 kA	95 kA	105 kA	
300mm	70 kA	75 kA	85 kA	100 kA	105 kA		
250mm	85 kA	95 kA	105 kA	105 kA			
200mm	105 kA	105 kA					
Code	IS36314CU1/C	IS38014CU1/C	IS31014CU1/C	IS31214CU1/C	IS31614CU1/C	IS31814CU1/C	IS32014CU1/C

THREE-POLE LOWER BASE

(Mounting distance between busbar holders= 140 mm)

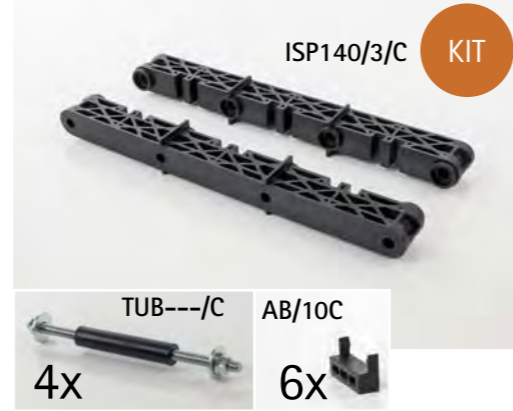
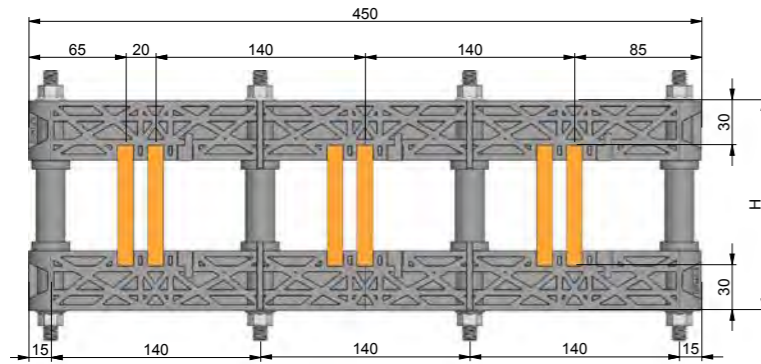
Lower base for flat copper bars from 630A up to 2000A (neutral= 100%)

PRODUCT CODE	PACKAGE CONTENT	WEIGHT (KG)	In (A)
ISB414CU/C	1	2,1	from 630A up to 2000A



THREE-POLE LINEAR BUSBAR HOLDERS FOR FLAT COPPER BARS (NEUTRAL=100%, MOUNTING DISTANCE BETWEEN BUSBAR HOLDERS= 140 MM)

Three-pole busbar holders for flat copper bars from 1800A up to 4300A (neutral= 100%)



CODICE	CONTENUTO	PESO (kg)	DIM. BARRA (HXSP)	H (MM)	In (A)
IS31814CU2/C	cod. ISP140/3/C, cod. AB/10C, cod. TUB405/C	1,9	60x10	120	1800
IS32014CU2/C	cod. ISP140/3/C, cod. AB/10C, cod. TUB605/C	2	80x10	140	2000
IS32514CU2/C	cod. ISP140/3/C, cod. AB/10C, cod. TUB805/C	2,1	100x10	160	2500
IS33014CU2/C	cod. ISP140/3/C, cod. AB/10C, cod. TUB105/C	2,2	120x10	180	3000
IS33614CU2/C	cod. ISP140/3/C, cod. AB/10C, cod. TUB145/C	2,3	160x10	220	3600
IS34314CU2/C	cod. ISP140/3/C, cod. AB/10C, cod. TUB185/C	2,4	200x10	260	4300

MAXIMUM MOUNTING DISTANCE BETWEEN BUSBAR HOLDERS						
Rating (A)	1800A	2000A	2500A	3000A	3600A	4300A
Max. mounting distance	lcc	lcc	lcc	lcc	lcc	lcc
1000mm	20 kA	25 kA	30 kA	35 kA	45 kA	55 kA
950mm	25 kA	30 kA	35 kA	40 kA	50 kA	55 kA
900mm	25 kA	30 kA	35 kA	40 kA	50 kA	60 kA
850mm	25 kA	30 kA	40 kA	45 kA	50 kA	65 kA
800mm	30 kA	35 kA	40 kA	45 kA	55 kA	65 kA
750mm	30 kA	35 kA	45 kA	50 kA	60 kA	65 kA
700mm	30 kA	40 kA	45 kA	50 kA	60 kA	65 kA
650mm	35 kA	45 kA	50 kA	60 kA	60 kA	65 kA
600mm	40 kA	45 kA	55 kA	60 kA	75 kA	85 kA
550mm	40 kA	50 kA	60 kA	65 kA	80 kA	90 kA
500mm	45 kA	55 kA	65 kA	75 kA	90 kA	100 kA
450mm	50 kA	60 kA	70 kA	80 kA	100 kA	105 kA
400mm	55 kA	70 kA	85 kA	90 kA	105 kA	
350mm	65 kA	80 kA	85 kA	105 kA		
300mm	75 kA	90 kA	90 kA			
250mm	90 kA	105 kA				
200mm	105 kA					
Code	IS31814CU2/C	IS32014CU2/C	IS32514CU2/C	IS33014CU2/C	IS33614CU2/C	IS34314CU2/C

THREE-POLE LOWER BASE

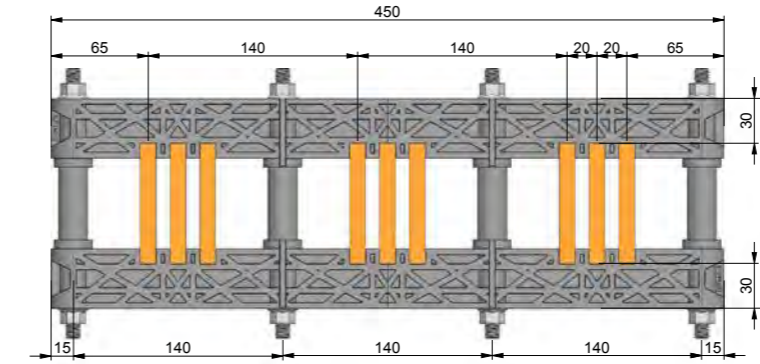
(Mounting distance between busbar holders= 140 mm)
Lower base for flat copper bars from 1800A up to 4300A (neutral= 100%)

PRODUCT CODE	PACKAGE CONTENT	WEIGHT (KG)	In (A)
ISB314CU/C	1	1,9	from 1800A up to 4300A



FOUR-POLE LINEAR BUSBAR HOLDERS FOR FLAT COPPER BARS (NEUTRAL = 100%) (MOUNTING DISTANCE BETWEEN BUSBAR HOLDERS= 140 MM)

Four-pole busbar holders for flat copper bars from 3000A up to 6300A (neutral= 100%)



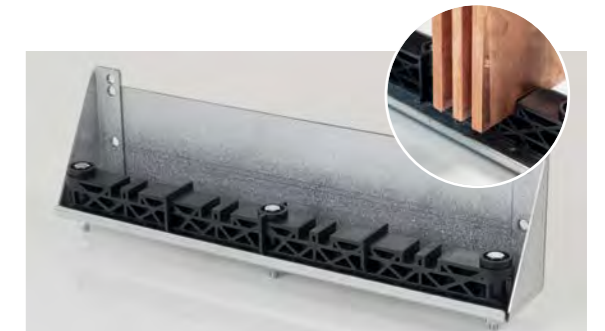
CODICE	CONTENUTO	PESO (kg)	DIM. BARRA (HXSP)	H (MM)	In (A)
IS33014CU3/C	cod. ISP140/3/C, cod. TUB605/C	1,9	80x10	140	3000
IS33314CU3/C	cod. ISP140/3/C, cod. TUB805/C	2	100x10	160	3300
IS34014CU3/C	cod. ISP140/3/C, cod. TUB105/C	2,1	120x10	180	4000
IS35014CU3/C	cod. ISP140/3/C, cod. TUB145/C	2,2	160x10	220	5000
IS36314CU3/C	cod. ISP140/3/C, cod. TUB185/C	2,3	200x10	260	6300

MAXIMUM MOUNTING DISTANCE BETWEEN BUSBAR HOLDERS					
Rating (A)	3000A	3300A	4000A	5000A	6300A
Max. mounting distance	lcc	lcc	lcc	lcc	lcc
1000mm	30 kA	35 kA	45 kA	50 kA	60 kA
950mm	35 kA	35 kA	50 kA	55 kA	60 kA
900mm	35 kA	35 kA	50 kA	60 kA	60 kA
850mm	40 kA	45 kA	50 kA	60 kA	65 kA
800mm	40 kA	50 kA	50 kA	65 kA	65 kA
750mm	45 kA	50 kA	55 kA	65 kA	65 kA
700mm	45 kA	55 kA	55 kA	65 kA	65 kA
650mm	50 kA	55 kA	55 kA	65 kA	65 kA
600mm	55 kA	55 kA	70 kA	80 kA	85 kA
550mm	60 kA	60 kA	75 kA	85 kA	90 kA
500mm	65 kA	75 kA	85 kA	100 kA	100 kA
450mm	70 kA	85 kA	95 kA	105 kA	105 kA
400mm	80 kA	95 kA	105 kA		
350mm	90 kA	105 kA			
300mm	105 kA				
Code	IS33014CU3/C	IS33314CU3/C	IS34014CU3/C	IS35014CU3/C	IS36314CU3/C

THREE-POLE LOWER BASE

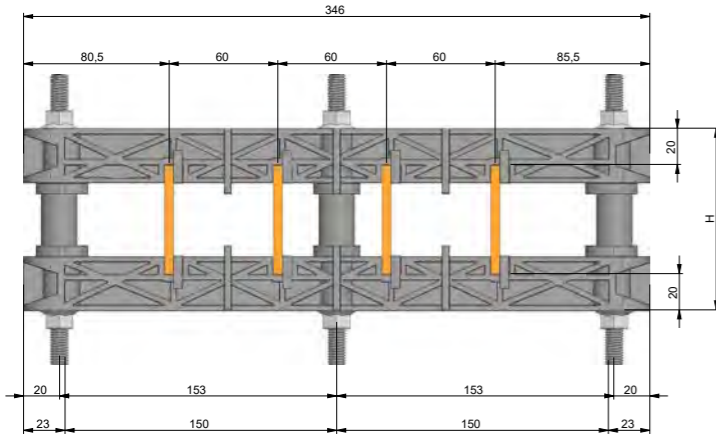
(Mounting distance between busbar holders= 140 mm)
Lower base for flat copper bars from 3000A up to 6300A (neutral=100%)

PRODUCT CODE	PACKAGE CONTENT	WEIGHT (KG)	In (A)
ISB314CU/C	1	2,1	from 3000A up to 6300A



FOUR-POLE LINEAR BUSBAR HOLDERS FOR FLAT COPPER BARS (NEUTRAL = 100%) (MOUNTING DISTANCE BETWEEN BUSBAR HOLDERS= 60 MM)

Four-pole busbar holders for flat copper bars from 400A up to 1000A (neutral= 100%)



PRODUCT CODE	PACKAGE CONTENT	WEIGHT (KG)	PROFILE SIZE (HxTHK)	H (MM)	In (A)
IS44006CU1/C	cod. ISP60/4/C, cod. AB/5C, cod. TUB203/C	1,4	40x5	80	400
IS45006CU1/C	cod. ISP60/4/C, cod. AB/5C, cod. TUB303/C	1,5	50x5	90	500
IS46006CU1/C	cod. ISP60/4/C, cod. AB/5C, cod. TUB403/C	1,5	60x5	100	630
IS48006CU1/C	cod. ISP60/4/C, cod. AB/5C, cod. TUB603/C	1,6	80x5	120	800
IS41006CU1/C	cod. ISP60/4/C, cod. AB/5C, cod. TUB803/C	1,7	100x5	140	1000

MAXIMUM MOUNTING DISTANCE BETWEEN BUSBAR HOLDERS					
Rating (A)	400A	500A	630A	800A	1000A
Max. mounting distance	lcc	lcc	lcc	lcc	lcc
800mm	10 kA	10 kA	10 kA	10 kA	15 kA
750mm	10 kA	10 kA	10 kA	10 kA	15 kA
700mm	10 kA	10 kA	10 kA	15 kA	15 kA
650mm	10 kA	10 kA	10 kA	15 kA	20 kA
600mm	10 kA	10 kA	15 kA	15 kA	20 kA
550mm	10 kA	15 kA	15 kA	15 kA	20 kA
500mm	15 kA	15 kA	15 kA	20 kA	20 kA
450mm	15 kA	15 kA	20 kA	20 kA	25 kA
400mm	15 kA	20 kA	20 kA	25 kA	25 kA
350mm	20 kA	20 kA	25 kA	25 kA	30 kA
300mm	20 kA	25 kA	25 kA	30 kA	35 kA
250mm	25 kA	30 kA	30 kA	35 kA	45 kA
200mm	35 kA	40 kA	40 kA	45 kA	55 kA
Code	IS44006CU1/C	IS45006CU1/C	IS46006CU1/C	IS48006CU1/C	IS41006CU1/C

FOUR-POLE LOWER BASE

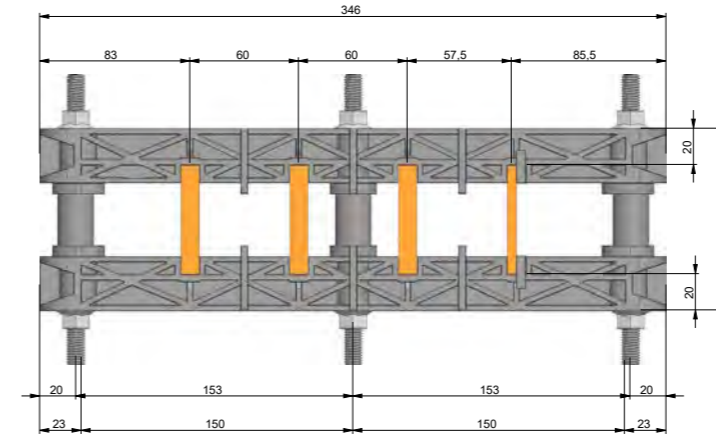
(Mounting distance between busbar holders= 60 mm)
Lower base for flat copper bars from 400A up to 1000A (neutral= 100%)



PRODUCT CODE	PACKAGE CONTENT	WEIGHT (KG)	In (A)
ISB406CU/C	1	1,7	from 400A up to 1000A

FOUR-POLE LINEAR BUSBAR HOLDERS FOR FLAT COPPER BARS (NEUTRAL=50%) (MOUNTING DISTANCE BETWEEN BUSBAR HOLDERS= 60 MM)

Four-pole busbar holders for flat copper bars from 400A up to 1000A (neutral= 50%)



PRODUCT CODE	PACKAGE CONTENT	WEIGHT (KG)	PROFILE SIZE (HxTHK)	H (MM)	In (A)
IS44006CU1/C	cod. ISP60/4/C, cod. AB/5C, cod. TUB203/C	1,4	40x5	80	400
IS45006CU1/C	cod. ISP60/4/C, cod. AB/5C, cod. TUB303/C	1,5	50x5	90	500
IS46006CU1/C	cod. ISP60/4/C, cod. AB/5C, cod. TUB403/C	1,5	60x5	100	630
IS48006CU1/C	cod. ISP60/4/C, cod. AB/5C, cod. TUB603/C	1,6	80x5	120	800
IS41006CU1/C	cod. ISP60/4/C, cod. AB/5C, cod. TUB803/C	1,7	100x5	140	1000

MAXIMUM MOUNTING DISTANCE BETWEEN BUSBAR HOLDERS					
Rating (A)	400A	500A	630A	800A	1000A
Max. mounting distance	lcc	lcc	lcc	lcc	lcc
1000mm	15 kA	15 kA	15 kA	20 kA	20 kA
950mm	15 kA	15 kA	15 kA	20 kA	20 kA
900mm	15 kA	15 kA	20 kA	20 kA	25 kA
850mm	15 kA	20 kA	20 kA	25 kA	25 kA
800mm	15 kA	20 kA	20 kA	25 kA	25 kA
750mm	20 kA	20 kA	20 kA	25 kA	30 kA
700mm	20 kA	20 kA	25 kA	25 kA	30 kA
650mm	20 kA	25 kA	25 kA	30 kA	30 kA
600mm	20 kA	25 kA	25 kA	30 kA	30 kA
550mm	25 kA	25 kA	25 kA	30 kA	30 kA
500mm	25 kA	30 kA	35 kA	40 kA	45 kA
450mm	30 kA	35 kA	35 kA	45 kA	50 kA
400mm	35 kA	40 kA	40 kA	50 kA	55 kA
350mm	40 kA	45 kA	50 kA	55 kA	60 kA
300mm	45 kA	50 kA	55 kA	65 kA	70 kA
250mm	55 kA	55 kA	65 kA	75 kA	80 kA
200mm	70 kA	75 kA	80 kA	90 kA	90 kA
Code	IS44006CU1/C	IS45006CU1/C	IS46006CU1/C	IS48006CU1/C	IS41006CU1/C

FOUR-POLE LOWER BASE

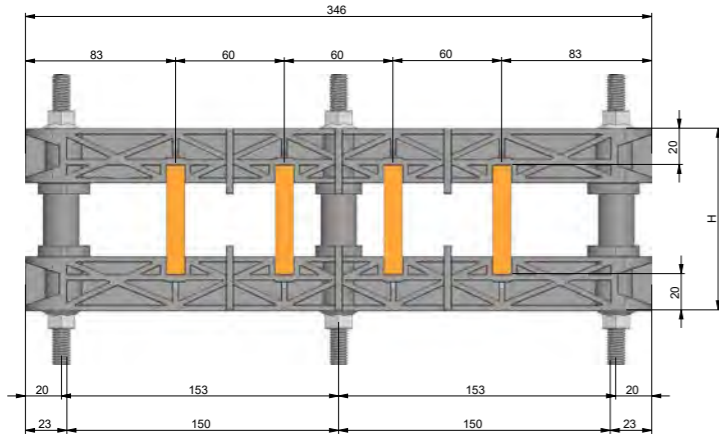
(Mounting distance between busbar holders= 60 mm)
Lower base for flat copper bars from 400A up to 1000A (neutral= 50%)



PRODUCT CODE	PACKAGE CONTENT	WEIGHT (KG)	In (A)
ISB406CU/C	1	1,7	from 400A up to 1000A

FOUR-POLE LINEAR BUSBAR HOLDERS FOR FLAT COPPER BARS (NEUTRAL=100%) (MOUNTING DISTANCE BETWEEN BUSBAR HOLDERS=60 MM)

Four-pole busbar holders for flat copper bars from 400A up to 1000A (neutral= 100%)



PRODUCT CODE	PACKAGE CONTENT	WEIGHT (KG)	PROFILE SIZE (HxTHK)	H (MM)	In (A)
IS44006CU1/C	cod. ISP60/4/C, cod. TUB203/C	1,4	40x5	80	400
IS45006CU1/C	cod. ISP60/4/C, cod. TUB303/C	1,5	50x5	90	500
IS46006CU1/C	cod. ISP60/4/C, cod. TUB403/C	1,5	60x5	100	630
IS48006CU1/C	cod. ISP60/4/C, cod. TUB603/C	1,6	80x5	120	800
IS41006CU1/C	cod. ISP60/4/C, cod. TUB803/C	1,7	100x5	140	1000

MAXIMUM MOUNTING DISTANCE BETWEEN BUSBAR HOLDERS					
Rating (A)	400A	500A	630A	800A	1000A
Max. mounting distance	lcc	lcc	lcc	lcc	lcc
1000mm	15 kA	15 kA	15 kA	20 kA	20 kA
950mm	15 kA	15 kA	15 kA	20 kA	20 kA
900mm	15 kA	15 kA	20 kA	20 kA	25 kA
850mm	15 kA	20 kA	20 kA	25 kA	25 kA
800mm	15 kA	20 kA	20 kA	25 kA	25 kA
750mm	20 kA	20 kA	20 kA	25 kA	30 kA
700mm	20 kA	20 kA	25 kA	25 kA	30 kA
650mm	20 kA	25 kA	25 kA	30 kA	30 kA
600mm	20 kA	25 kA	25 kA	30 kA	30 kA
550mm	25 kA	25 kA	25 kA	30 kA	30 kA
500mm	25 kA	30 kA	35 kA	40 kA	45 kA
450mm	30 kA	35 kA	35 kA	45 kA	50 kA
400mm	35 kA	40 kA	40 kA	50 kA	55 kA
350mm	40 kA	45 kA	50 kA	55 kA	60 kA
300mm	45 kA	50 kA	55 kA	65 kA	70 kA
250mm	55 kA	55 kA	65 kA	75 kA	80 kA
200mm	70 kA	75 kA	80 kA	90 kA	90 kA
Code	IS44006CU1/C	IS45006CU1/C	IS46006CU1/C	IS48006CU1/C	IS41006CU1/C

FOUR-POLE LOWER BASE

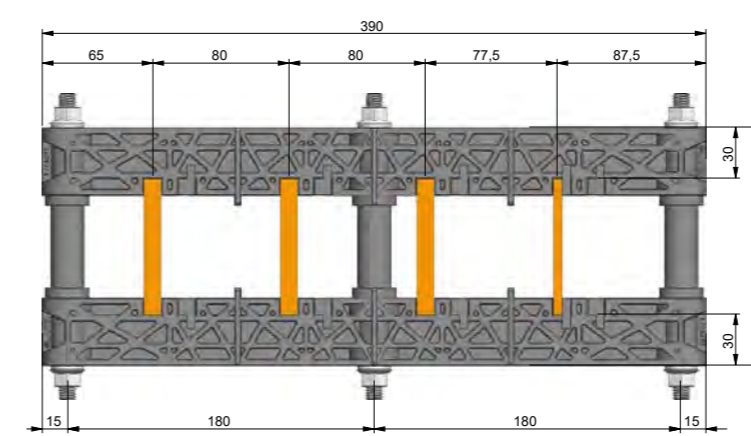
(Mounting distance between busbar holders= 60 mm)
Lower base for flat copper bars from 400A up to 1000A (neutral= 100%)



PRODUCT CODE	PACKAGE CONTENT	WEIGHT (KG)	In (A)
ISB406CU/C	1	1,7	from 400A up to 1000A

FOUR-POLE LINEAR BUSBAR HOLDERS FOR FLAT COPPER BARS (NEUTRAL=50%) (MOUNTING DISTANCE BETWEEN BUSBAR HOLDERS= 80 MM)

Four-pole busbar holders for flat copper bars from 630A up to 1600A (neutral= 50%)



PRODUCT CODE	PACKAGE CONTENT	WEIGHT (KG)	PROFILE SIZE (HxTHK)	H (MM)	In (A)
IS46308CU1/C	cod. ISP80/4/C, cod. AB/10C, cod. AB/5C, cod. TUB203/C	1,4	40x10	100	630
IS48008CU1/C	cod. ISP80/4/C, cod. AB/10C, cod. AB/5C, cod. TUB303/C	1,5	50x10	110	800
IS41008CU1/C	cod. ISP80/4/C, cod. AB/10C, cod. AB/5C, cod. TUB403/C	1,5	60x10	120	1000
IS41208CU1/C	cod. ISP80/4/C, cod. AB/10C, cod. AB/5C, cod. TUB603/C	1,6	80x10	140	1250
IS41608CU1/C	cod. ISP80/4/C, cod. AB/10C, cod. AB/5C, cod. TUB803/C	1,7	100x10	160	1600

MAXIMUM MOUNTING DISTANCE BETWEEN BUSBAR HOLDERS					
Rating (A)	630A	800A	1000A	1250A	1600A
Max. mounting distance	lcc	lcc	lcc	lcc	lcc
1000mm	16 kA	16 kA	20 kA	20 kA	25 kA
950mm	16 kA	16 kA	20 kA	20 kA	25 kA
900mm	16 kA	16 kA	20 kA	20 kA	25 kA
850mm	16 kA	16 kA	20 kA	20 kA	25 kA
800mm	20 kA	20 kA	25 kA	25 kA	30 kA
750mm	25 kA	25 kA	25 kA	30 kA	35 kA
700mm	25 kA	25 kA	25 kA	30 kA	35 kA
650mm	25 kA	25 kA	25 kA	30 kA	35 kA
600mm	25 kA	30 kA	30 kA	35 kA	40 kA
550mm	25 kA	30 kA	35 kA	40 kA	45 kA
500mm	30 kA	35 kA	40 kA	45 kA	50 kA
450mm	35 kA	40 kA	45 kA	50 kA	55 kA
400mm	40 kA	45 kA	50 kA	55 kA	60 kA
350mm	45 kA	50 kA	55 kA	65 kA	70 kA
300mm	50 kA	60 kA	65 kA	75 kA	85 kA
250mm	60 kA	70 kA	75 kA	85 kA	
200mm	80 kA	85 kA	85 kA		
Code	IS46308CU1/C	IS48008CU1/C	IS41008CU1/C	IS41208CU1/C	IS41608CU1/C

FOUR-POLE LOWER BASE

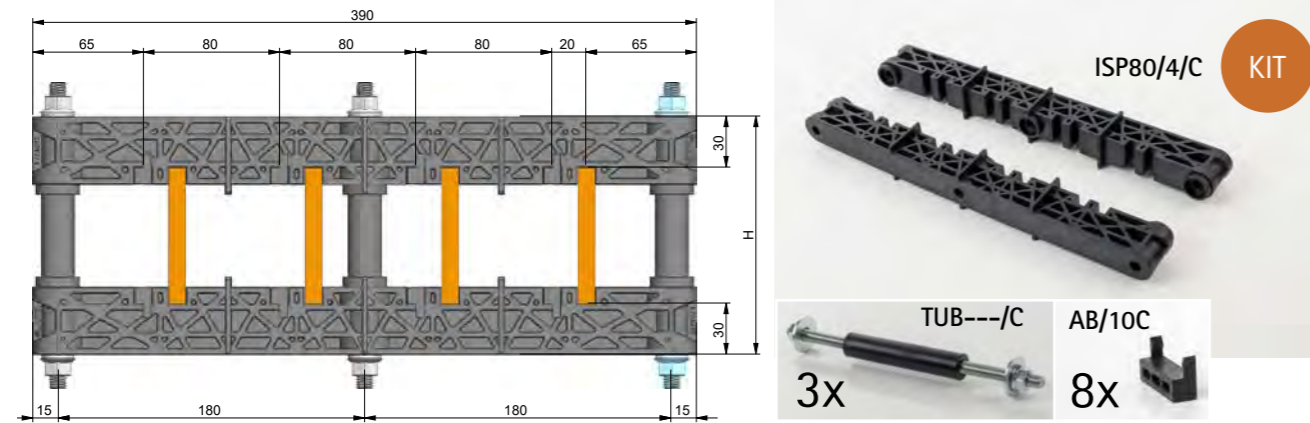
(Mounting distance between busbar holders= 80 mm)
Lower base for flat copper bars from 630A up to 1600A (neutral= 50%)



PRODUCT CODE	PACKAGE CONTENT	WEIGHT (KG)	In (A)
ISB408CU/C	1	1,7	from 800A up to 1600A

FOUR-POLE LINEAR BUSBAR HOLDERS FOR FLAT COPPER BARS (NEUTRAL=100%) (MOUNTING DISTANCE BETWEEN BUSBAR HOLDERS= 80 MM)

Four-pole busbar holders for flat copper bars from 630A up to 2500A (neutral= 100%)



PRODUCT CODE	PACKAGE CONTENT	WEIGHT (KG)	PROFILE SIZE (HxTHK)	H (MM)	In (A)
IS46308CU1/C	cod. ISP80/4/C, cod. AB/10C, cod. AB/5C, cod. TUB203/C	1,4	40x10	100	630
IS48008CU1/C	cod. ISP80/4/C, cod. AB/10C, cod. AB/5C, cod. TUB303/C	1,5	50x10	110	800
IS41008CU1/C	cod. ISP80/4/C, cod. AB/10C, cod. AB/5C, cod. TUB403/C	1,5	60x10	120	1000
IS41208CU1/C	cod. ISP80/4/C, cod. AB/10C, cod. AB/5C, cod. TUB603/C	1,6	80x10	140	1250
IS41608CU1/C	cod. ISP80/4/C, cod. AB/10C, cod. AB/5C, cod. TUB803/C	1,7	100x10	160	1600
IS41808CU1/C	cod. ISP80/4/C, cod. AB/10C, cod. TUB103/C	1,7	120x10	180	1800
IS42008CU1/C	cod. ISP80/4/C, cod. AB/10C, cod. TUB143/C	1,8	160x10	220	2000
IS42508CU1/C	cod. ISP80/4/C, cod. AB/10C, cod. TUB183/C	1,9	200x10	260	2500

MAXIMUM MOUNTING DISTANCE BETWEEN BUSBAR HOLDERS								
Rating (A)	630A	800A	1000A	1250A	1600A	1800A	2000A	2500A
Max. mounting distance	lcc	lcc	lcc	lcc	lcc	lcc	lcc	lcc
1000mm	16 kA	16 kA	20 kA	20 kA	25 kA	25 kA	30 kA	35 kA
950mm	16 kA	16 kA	20 kA	20 kA	25 kA	30 kA	35 kA	35 kA
900mm	16 kA	16 kA	20 kA	20 kA	25 kA	30 kA	35 kA	40 kA
850mm	16 kA	16 kA	20 kA	20 kA	25 kA	30 kA	35 kA	40 kA
800mm	20 kA	20 kA	25 kA	25 kA	30 kA	35 kA	40 kA	45 kA
750mm	25 kA	25 kA	25 kA	30 kA	35 kA	40 kA	40 kA	45 kA
700mm	25 kA	25 kA	25 kA	30 kA	35 kA	45 kA	40 kA	45 kA
650mm	25 kA	25 kA	25 kA	30 kA	35 kA	45 kA	45 kA	50 kA
600mm	25 kA	30 kA	30 kA	35 kA	40 kA	40 kA	50 kA	55 kA
550mm	25 kA	30 kA	35 kA	40 kA	45 kA	50 kA	55 kA	55 kA
500mm	30 kA	35 kA	40 kA	45 kA	50 kA	55 kA	60 kA	60 kA
450mm	35 kA	40 kA	45 kA	50 kA	55 kA	60 kA	70 kA	70 kA
400mm	40 kA	45 kA	50 kA	55 kA	60 kA	70 kA	75 kA	75 kA
350mm	45 kA	50 kA	55 kA	65 kA	70 kA	80 kA	80 kA	80 kA
300mm	50 kA	60 kA	65 kA	75 kA	85 kA	85 kA	85 kA	85 kA
250mm	60 kA	70 kA	75 kA	85 kA				
200mm	80 kA	85 kA	85 kA					
Code	IS46308CU1/C	IS48008CU1/C	IS41008CU1/C	IS41208CU1/C	IS41608CU1/C	IS41808CU1/C	IS42008CU1/C	IS42508CU1/C

FOUR-POLE LOWER BASE

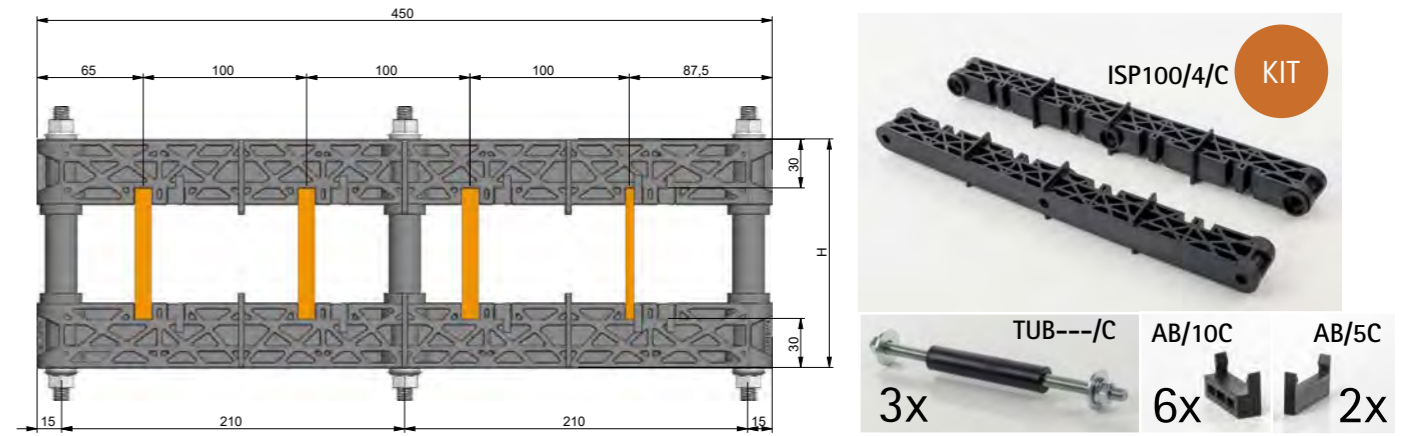
(Mounting distance between busbar holders= 80 mm)
Lower base for flat copper bars from 630A up to 2500A (neutral= 100%)

PRODUCT CODE	PACKAGE CONTENT	WEIGHT (KG)	In (A)
ISB408CU/C	1	1,7	from 630A up to 2500A



FOUR-POLE LINEAR BUSBAR HOLDERS FOR FLAT COPPER BARS (NEUTRAL=50%) (MOUNTING DISTANCE BETWEEN BUSBAR HOLDERS= 100 MM)

Four-pole busbar holders for flat copper bars from 630A up to 1600A (neutral= 50%)



PRODUCT CODE	PACKAGE CONTENT	WEIGHT (KG)	PROFILE SIZE (HxTHK)	H (MM)	In (A)
IS46310CU1/C	cod. ISP100/4/C, cod. AB/10C, cod. AB/5C, cod. TUB203/C	1,5	40x10	100	630
IS48010CU1/C	cod. ISP100/4/C, cod. AB/10C, cod. AB/5C, cod. TUB303/C	1,6	50x10	110	800
IS41010CU1/C	cod. ISP100/4/C, cod. AB/10C, cod. AB/5C, cod. TUB403/C	1,6	60x10	120	1000
IS41210CU1/C	cod. ISP100/4/C, cod. AB/10C, cod. AB/5C, cod. TUB603/C	1,6	80x10	140	1250
IS41610CU1/C	cod. ISP100/4/C, cod. AB/10C, cod. AB/5C, cod. TUB803/C	1,7	100x10	160	1600

MAXIMUM MOUNTING DISTANCE BETWEEN BUSBAR HOLDERS					
Rating (A)	630A	800A	1000A	1250A	1600A
Max. mounting distance	lcc	lcc	lcc	lcc	lcc
1000mm	16 kA	20 kA	20 kA	25 kA	25 kA
950mm	20 kA	25 kA	25 kA	25 kA	30 kA
900mm	20 kA	25 kA	25 kA	25 kA	30 kA
850mm	20 kA	25 kA	25 kA	25 kA	30 kA
800mm	20 kA	25 kA	25 kA	30 kA	35 kA
750mm	25 kA	25 kA	30 kA	35 kA	35 kA
700mm	25 kA	30 kA	30 kA	35 kA	40 kA
650mm	25 kA	30 kA	30 kA	35 kA	40 kA
600mm	30 kA	35 kA	35 kA	40 kA	45 kA
550mm	30 kA	35 kA	40 kA	45 kA	50 kA
500mm	35 kA	40 kA	45 kA	50 kA	55 kA
450mm	40 kA	45 kA	50 kA	55 kA	60 kA
400mm	45 kA	50 kA	55 kA	60 kA	70 kA
350mm	50 kA	55 kA	60 kA	70 kA	80 kA
300mm	60 kA	65 kA	70 kA	85 kA	95 kA
250mm	70 kA	80 kA	85 kA	100 kA	105 kA
200mm	85 kA	100 kA	105 kA	105 kA	
Code	IS46310CU1/C	IS48010CU1/C	IS41010CU1/C	IS41210CU1/C	IS41610CU1/C

FOUR-POLE LOWER BASE

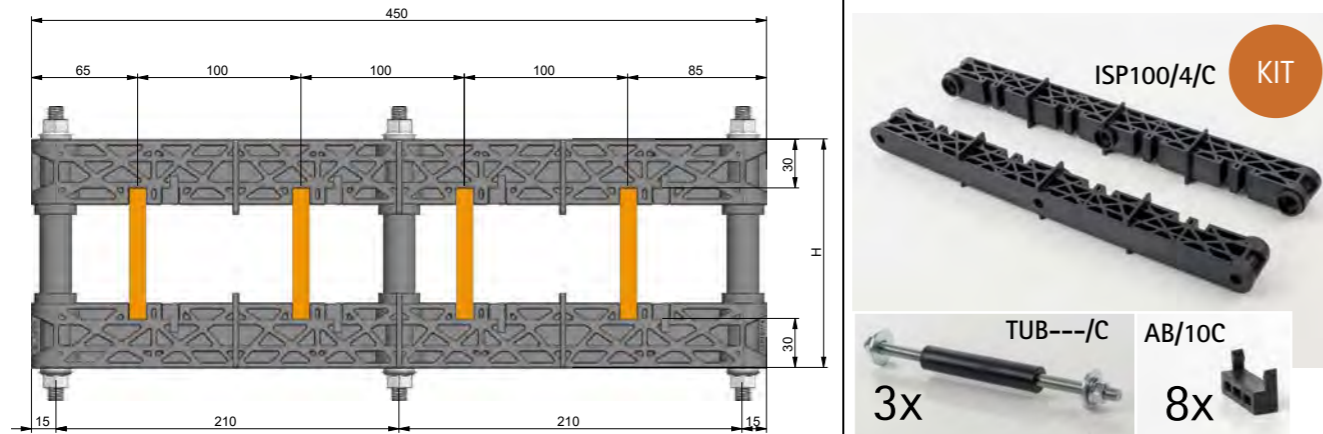
(Mounting distance between busbar holders= 100 mm)
Lower base for flat copper bars from 630A up to 1600A (neutral= 50%)

PRODUCT CODE	PACKAGE CONTENT	WEIGHT (KG)	In (A)
ISB410CU/C	1	1,9	from 630A up to 1600A



FOUR-POLE LINEAR BUSBAR HOLDERS FOR FLAT COPPER BARS (NEUTRAL=100%) (MOUNTING DISTANCE BETWEEN BUSBAR HOLDERS= 100 MM)

Four-pole busbar holders for flat copper bars from 630A up to 2000A (neutral= 100%)



PRODUCT CODE	PACKAGE CONTENT	WEIGHT (KG)	PROFILE SIZE (HxTHK)	H (MM)	In (A)
IS46310CU1/C	cod. ISP100/4/C, cod. AB/10C, cod. TUB203/C	1,5	40x10	100	630
IS48010CU1/C	cod. ISP100/4/C, cod. AB/10C, cod. TUB303/C	1,6	50x10	110	800
IS41010CU1/C	cod. ISP100/4/C, cod. AB/10C, cod. TUB403/C	1,6	60x10	120	1000
IS41210CU1/C	cod. ISP100/4/C, cod. AB/10C, cod. TUB603/C	1,6	80x10	140	1250
IS41610CU1/C	cod. ISP100/4/C, cod. AB/10C, cod. TUB803/C	1,7	100x10	160	1600
IS41810CU1/C	cod. ISP100/4/C, cod. AB/10C, cod. TUB103/C	1,8	120x10	180	1800
IS42010CU1/C	cod. ISP100/4/C, cod. AB/10C, cod. TUB143/C	1,9	160x10	220	2000

MAXIMUM MOUNTING DISTANCE BETWEEN BUSBAR HOLDERS

Rating (A)	630A	800A	1000A	1250A	1600A	1800A	2000A
Max. mounting distance	lcc	lcc	lcc	lcc	lcc	lcc	lcc
1000mm	16 kA	20 kA	20 kA	25 kA	25 kA	35 kA	35 kA
950mm	20 kA	25 kA	25 kA	25 kA	30 kA	35 kA	35 kA
900mm	20 kA	25 kA	25 kA	25 kA	30 kA	35 kA	35 kA
850mm	20 kA	25 kA	25 kA	25 kA	30 kA	35 kA	40 kA
800mm	20 kA	25 kA	25 kA	30 kA	35 kA	40 kA	45 kA
750mm	25 kA	25 kA	30 kA	35 kA	35 kA	45 kA	50 kA
700mm	25 kA	30 kA	30 kA	35 kA	40 kA	45 kA	50 kA
650mm	25 kA	30 kA	30 kA	35 kA	40 kA	45 kA	50 kA
600mm	30 kA	35 kA	35 kA	40 kA	45 kA	50 kA	50 kA
550mm	30 kA	35 kA	40 kA	45 kA	50 kA	55 kA	55 kA
500mm	35 kA	40 kA	45 kA	50 kA	55 kA	60 kA	65 kA
450mm	40 kA	45 kA	50 kA	55 kA	60 kA	70 kA	70 kA
400mm	45 kA	50 kA	55 kA	60 kA	70 kA	80 kA	80 kA
350mm	50 kA	55 kA	60 kA	70 kA	80 kA	85 kA	85 kA
300mm	60 kA	65 kA	70 kA	85 kA	95 kA	95 kA	95 kA
250mm	70 kA	80 kA	85 kA	100 kA	105 kA	105 kA	105 kA
200mm	95 kA	95 kA	105 kA	105 kA			
Code	IS46310CU1/C	IS48010CU1/C	IS41010CU1/C	IS41210CU1/C	IS41610CU1/C	IS41810CU1/C	IS42010CU1/C

FOUR-POLE LOWER BASE

(Mounting distance between busbar holders= 100 mm)

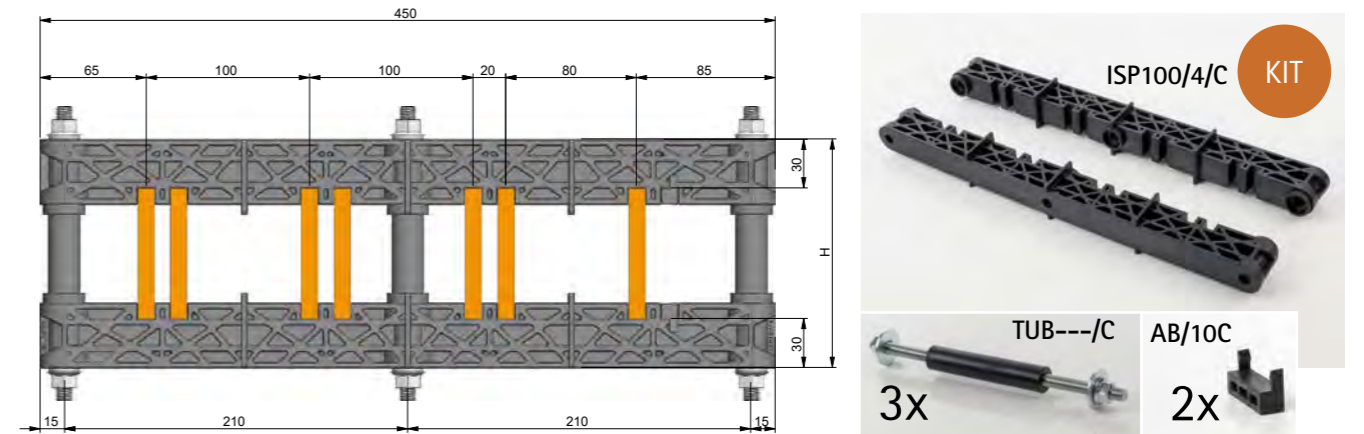
Lower base for flat copper bars from 630A up to 2000A (neutral= 100%)

PRODUCT CODE	PACKAGE CONTENT	WEIGHT (KG)	In (A)
ISB410CU/C	1	1,9	from 630A up to 2000A



FOUR-POLE LINEAR BUSBAR HOLDERS FOR FLAT COPPER BARS (DOUBLE BAR PER PHASE, NEUTRAL=50%, MOUNTING DISTANCE BETWEEN BUSBAR HOLDERS= 100 MM)

Four-pole busbar holders for flat copper bars from 1600A up to 4300A (neutral= 50%)



PRODUCT CODE	PACKAGE CONTENT	WEIGHT (KG)	PROFILE SIZE (HxTHK)	H (MM)	In (A)
IS41610CU2/C	cod. ISP100/4/C, cod. AB/10C, cod. TUB303/C	1,6	50x10	110	1600
IS41810CU2/C	cod. ISP100/4/C, cod. AB/10C, cod. TUB403/C	1,6	60x10	120	1800
IS42010CU2/C	cod. ISP100/4/C, cod. AB/10C, cod. TUB603/C	1,6	80x10	140	2000
IS42510CU2/C	cod. ISP100/4/C, cod. AB/10C, cod. TUB803/C	1,7	100x10	160	2500
IS43010CU2/C	cod. ISP100/4/C, cod. AB/10C, cod. TUB103/C	1,8	120x10	180	3000
IS43610CU2/C	cod. ISP100/4/C, cod. AB/10C, cod. TUB143/C	1,9	160x10	220	3600
IS44310CU2/C	cod. ISP100/4/C, cod. AB/10C, cod. TUB183/C	2	200x10	260	4300

MAXIMUM MOUNTING DISTANCE BETWEEN BUSBAR HOLDERS

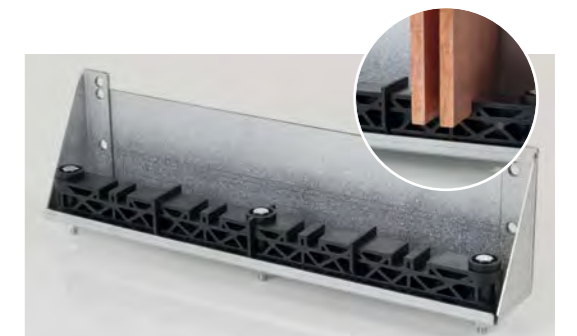
Max. mounting distance	lcc	lcc	lcc	lcc	lcc	lcc	lcc
l. Nom	1600A	1800A	2000A	2500A	3000A	3600A	4300A
1000mm	20 kA	20 kA	25 kA	30 kA	35 kA	40 kA	50 kA
950mm	20 kA	20 kA	25 kA	30 kA	35 kA	45 kA	50 kA
900mm	20 kA	20 kA	25 kA	35 kA	40 kA	45 kA	55 kA
850mm	20 kA	20 kA	25 kA	35 kA	40 kA	45 kA	55 kA
800mm	20 kA	25 kA	30 kA	40 kA	45 kA	50 kA	60 kA
750mm	25 kA	30 kA	35 kA	40 kA	45 kA	50 kA	65 kA
700mm	25 kA	30 kA	35 kA	45 kA	45 kA	50 kA	70 kA
650mm	25 kA	30 kA	40 kA	45 kA	45 kA	55 kA	70 kA
600mm	30 kA	35 kA	45 kA	50 kA	55 kA	60 kA	75 kA
550mm	30 kA	35 kA	45 kA	55 kA	60 kA	65 kA	75 kA
500mm	35 kA	40 kA	50 kA	60 kA	70 kA	70 kA	80 kA
450mm	40 kA	45 kA	55 kA	65 kA	75 kA	75 kA	90 kA
400mm	45 kA	50 kA	65 kA	75 kA	85 kA	95 kA	95 kA
350mm	50 kA	60 kA	75 kA	85 kA	90 kA	100 kA	100 kA
300mm	60 kA	70 kA	85 kA	100 kA	105 kA	105 kA	105 kA
250mm	70 kA	85 kA	105 kA	105 kA			
200mm	90 kA	105 kA					
Code	IS41610CU2/C	IS41810CU2/C	IS42010CU2/C	IS42510CU2/C	IS43010CU2/C	IS43610CU2/C	IS44310CU2/C

FOUR-POLE LOWER BASE

(Mounting distance between busbar holders=100 mm)

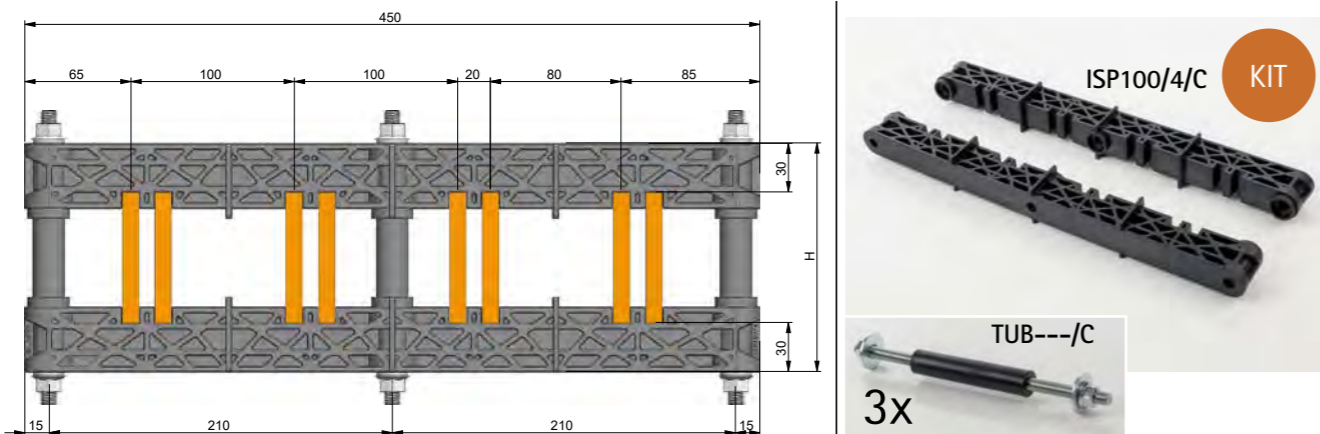
Lower base for flat copper bars from 1600A up to 4300A (neutral= 50%)

PRODUCT CODE	PACKAGE CONTENT	WEIGHT (KG)	In (A)
ISB410CU/C	1	1,9	from 1600A up to 4300A



FOUR-POLE LINEAR BUSBAR HOLDERS FOR FLAT COPPER BARS (DOUBLE BAR PER PHASE, NEUTRAL=100%, MOUNTING DISTANCE BETWEEN BUSBAR HOLDERS= 100 MM)

Four-pole busbar holders for flat copper bars from 1600A up to 4300A (neutral= 100%)



PRODUCT CODE	PACKAGE CONTENT	WEIGHT (KG)	PROFILE SIZE (HxTHK)	H (MM)	In (A)
IS41610CU2/C	cod. ISP100/4/C, cod. AB/10C, cod. TUB303/C	1,6	50x10	110	1600
IS41810CU2/C	cod. ISP100/4/C, cod. AB/10C, cod. TUB403/C	1,6	60x10	120	1800
IS42010CU2/C	cod. ISP100/4/C, cod. AB/10C, cod. TUB603/C	1,6	80x10	140	2000
IS42510CU2/C	cod. ISP100/4/C, cod. AB/10C, cod. TUB803/C	1,7	100x10	160	2500
IS43010CU2/C	cod. ISP100/4/C, cod. AB/10C, cod. TUB103/C	1,8	120x10	180	3000
IS43610CU2/C	cod. ISP100/4/C, cod. AB/10C, cod. TUB143/C	1,9	160x10	220	3600
IS44310CU2/C	cod. ISP100/4/C, cod. AB/10C, cod. TUB183/C	2	200x10	260	4300

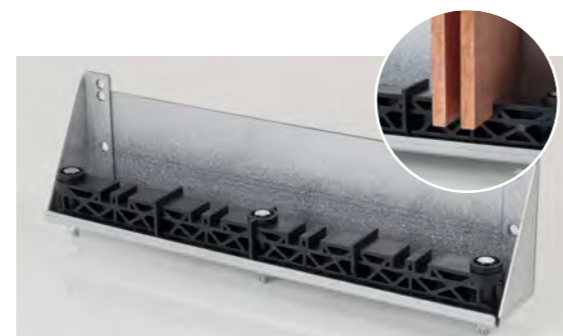
MAXIMUM MOUNTING DISTANCE BETWEEN BUSBAR HOLDERS

Max. mounting distance	lcc	lcc	lcc	lcc	lcc	lcc	lcc
l. Nom	1600A	1800A	2000A	2500A	3000A	3600A	4300A
1000mm	20 kA	20 kA	25 kA	30 kA	35 kA	40 kA	50 kA
950mm	20 kA	20 kA	25 kA	30 kA	35 kA	45 kA	50 kA
900mm	20 kA	20 kA	25 kA	35 kA	40 kA	45 kA	55 kA
850mm	20 kA	20 kA	25 kA	35 kA	40 kA	45 kA	55 kA
800mm	20 kA	25 kA	30 kA	40 kA	45 kA	50 kA	60 kA
750mm	25 kA	30 kA	35 kA	40 kA	45 kA	50 kA	65 kA
700mm	25 kA	30 kA	35 kA	45 kA	45 kA	50 kA	70 kA
650mm	25 kA	30 kA	40 kA	45 kA	45 kA	55 kA	70 kA
600mm	30 kA	35 kA	45 kA	50 kA	55 kA	60 kA	75 kA
550mm	30 kA	35 kA	45 kA	55 kA	60 kA	65 kA	75 kA
500mm	35 kA	40 kA	50 kA	60 kA	70 kA	70 kA	80 kA
450mm	40 kA	45 kA	55 kA	65 kA	75 kA	75 kA	90 kA
400mm	45 kA	50 kA	65 kA	75 kA	85 kA	95 kA	95 kA
350mm	50 kA	60 kA	75 kA	85 kA	90 kA	100 kA	100 kA
300mm	60 kA	70 kA	85 kA	100 kA	105 kA	105 kA	105 kA
250mm	70 kA	85 kA	105 kA	105 kA			
200mm	90 kA	105 kA					
Code	IS41610CU2/C	IS41810CU2/C	IS42010CU2/C	IS42510CU2/C	IS43010CU2/C	IS43610CU2/C	IS44310CU2/C

FOUR-POLE LOWER BASE

(Mounting distance between busbar holders= 100 mm)

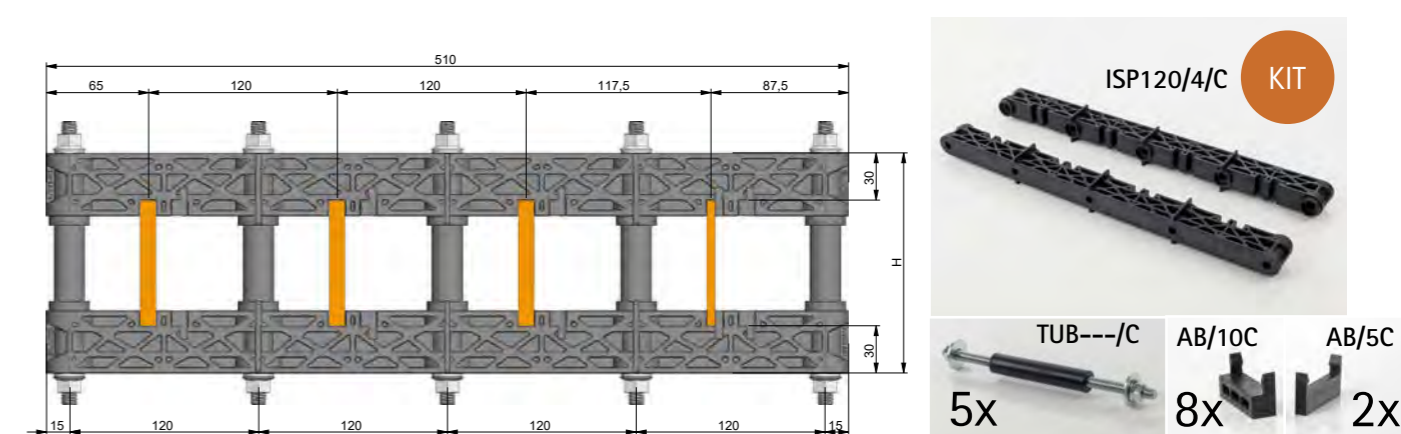
Lower base for flat copper bars from 1600A up to 4300A (neutral= 100%)



PRODUCT CODE	PACKAGE CONTENT	WEIGHT (KG)	In (A)
ISB410CU/C	1	1,9	from 1600A a 4300A

FOUR-POLE LINEAR BUSBAR HOLDERS FOR FLAT COPPER BARS (NEUTRAL =50%) (MOUNTING DISTANCE BETWEEN BUSBAR HOLDERS= 120 MM)

Four-pole busbar holders for flat copper bars from 630A up to 1600A (neutral= 50%)



PRODUCT CODE	PACKAGE CONTENT	WEIGHT (KG)	PROFILE SIZE (HxTHK)	H (MM)	In (A)
IS46312CU1/C	cod. ISP120/4/C, cod. AB/10C, cod. AB/5C, cod. TUB205/C	1,9	40x10	100	630
IS48012CU1/C	cod. ISP120/4/C, cod. AB/10C, cod. AB/5C, cod. TUB305/C	2	50x10	110	800
IS41012CU1/C	cod. ISP120/4/C, cod. AB/10C, cod. AB/5C, cod. TUB405/C	2	60x10	120	1000
IS41212CU1/C	cod. ISP120/4/C, cod. AB/10C, cod. AB/5C, cod. TUB605/C	2,1	80x10	140	1250
IS41612CU1/C	cod. ISP120/4/C, cod. AB/10C, cod. AB/5C, cod. TUB805/C	2,1	100x10	160	1600

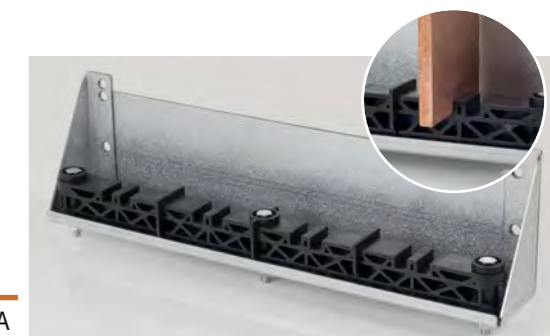
MAXIMUM MOUNTING DISTANCE BETWEEN BUSBAR HOLDERS

Rating (A)	630A	800A	1000A	1250A	1600A
Max. mounting distance	lcc	lcc	lcc	lcc	lcc
1000mm	20 kA	20 kA	25 kA	25 kA	30 kA
950mm	20 kA	20 kA	25 kA	30 kA	30 kA
900mm	20 kA	20 kA	25 kA	30 kA	35 kA
850mm	20 kA	20 kA	25 kA	30 kA	35 kA
800mm	25 kA	25 kA	30 kA	35 kA	40 kA
750mm	25 kA	25 kA	30 kA	35 kA	40 kA
700mm	25 kA	25 kA	35 kA	40 kA	45 kA
650mm	25 kA	25 kA	35 kA	40 kA	45 kA
600mm	30 kA	30 kA	40 kA	45 kA	50 kA
550mm	35 kA	35 kA	45 kA	50 kA	55 kA
500mm	40 kA	40 kA	50 kA	55 kA	60 kA
450mm	45 kA	45 kA	55 kA	60 kA	65 kA
400mm	50 kA	50 kA	60 kA	70 kA	75 kA
350mm	55 kA	55 kA	65 kA	80 kA	85 kA
300mm	65 kA	65 kA	80 kA	90 kA	100 kA
250mm	75 kA	75 kA	95 kA	100 kA	100 kA
200mm	95 kA	95 kA	105 kA	105 kA	105 kA
Code	IS46312CU1/C	IS48012CU1/C	IS41012CU1/C	IS41212CU1/C	IS41612CU1/C

FOUR-POLE LOWER BASE

(Mounting distance between busbar holders= 120 mm)

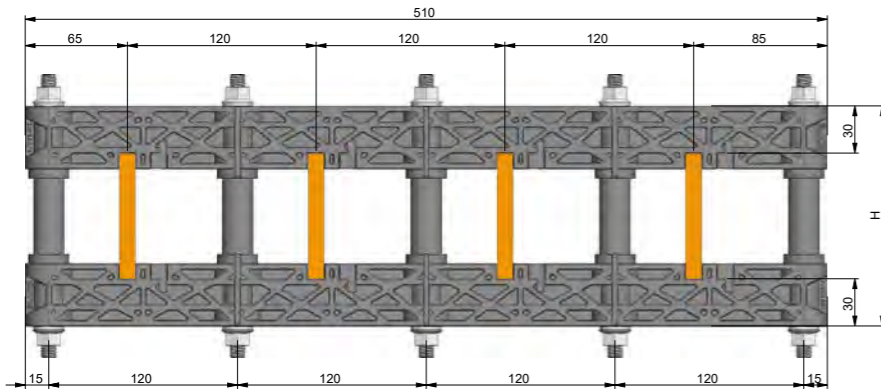
Lower base for flat copper bars from 630A up to 1600A (neutral= 50%)



PRODUCT CODE	PACKAGE CONTENT	WEIGHT (KG)	In (A)
ISB412CU/C	1	2,1	from 630A up to 1600A

FOUR-POLE LINEAR BUSBAR HOLDERS FOR FLAT COPPER BARS (NEUTRAL=100%) (MOUNTING DISTANCE BETWEEN BUSBAR HOLDERS= 120 MM)

Four-pole busbar holders for flat copper bars from 630A up to 2000A (neutral= 100%)



PRODUCT CODE	PACKAGE CONTENT	WEIGHT (KG)	PROFILE SIZE (HxTHK)	H (MM)	In (A)
IS46312CU1/C	cod. ISP120/4/C, cod. AB/10C, cod. TUB205/C	1,9	40x10	100	630
IS48012CU1/C	cod. ISP120/4/C, cod. AB/10C, cod. TUB305/C	2	50x10	110	800
IS41012CU1/C	cod. ISP120/4/C, cod. AB/10C, cod. TUB405/C	2	60x10	120	1000
IS41212CU1/C	cod. ISP120/4/C, cod. AB/10C, cod. TUB605/C	2,1	80x10	140	1250
IS41612CU1/C	cod. ISP120/4/C, cod. AB/10C, cod. TUB805/C	2,1	100x10	160	1600
IS41812CU1/C	cod. ISP120/4/C, cod. AB/10C, cod. TUB105/C	2,4	120x10	180	1800
IS42012CU1/C	cod. ISP120/4/C, cod. AB/10C, cod. TUB145/C	2,1	160x10	220	2000

MAXIMUM MOUNTING DISTANCE BETWEEN BUSBAR HOLDERS

Rating (A)	630A	800A	1000A	1250A	1600A	1800A	2000A
Max. mounting distance	lcc	lcc	lcc	lcc	lcc	lcc	lcc
1000mm	20 kA	20 kA	25 kA	25 kA	30 kA	30 kA	35 kA
950mm	20 kA	20 kA	25 kA	30 kA	30 kA	30 kA	40 kA
900mm	20 kA	20 kA	25 kA	30 kA	35 kA	35 kA	40 kA
850mm	20 kA	20 kA	25 kA	30 kA	35 kA	35 kA	40 kA
800mm	25 kA	25 kA	30 kA	35 kA	40 kA	40 kA	45 kA
750mm	25 kA	25 kA	30 kA	35 kA	40 kA	40 kA	50 kA
700mm	25 kA	25 kA	35 kA	40 kA	45 kA	45 kA	50 kA
650mm	25 kA	25 kA	35 kA	40 kA	45 kA	45 kA	50 kA
600mm	30 kA	30 kA	40 kA	45 kA	50 kA	50 kA	55 kA
550mm	35 kA	35 kA	45 kA	50 kA	55 kA	55 kA	60 kA
500mm	40 kA	40 kA	50 kA	55 kA	60 kA	60 kA	65 kA
450mm	45 kA	45 kA	55 kA	60 kA	65 kA	70 kA	70 kA
400mm	50 kA	50 kA	60 kA	70 kA	75 kA	80 kA	85 kA
350mm	55 kA	55 kA	65 kA	80 kA	85 kA	90 kA	90 kA
300mm	65 kA	65 kA	80 kA	90 kA	100 kA	105 kA	105 kA
250mm	75 kA	75 kA	95 kA	100 kA	100 kA		
200mm	95 kA	95 kA	105 kA	105 kA	105 kA		
Code	IS46312CU1/C	IS48012CU1/C	IS41012CU1/C	IS41212CU1/C	IS41612CU1/C	IS41812CU1/C	IS42012CU1/C

FOUR-POLE LOWER BASE

(Mounting distance between busbar holders= 120 mm)

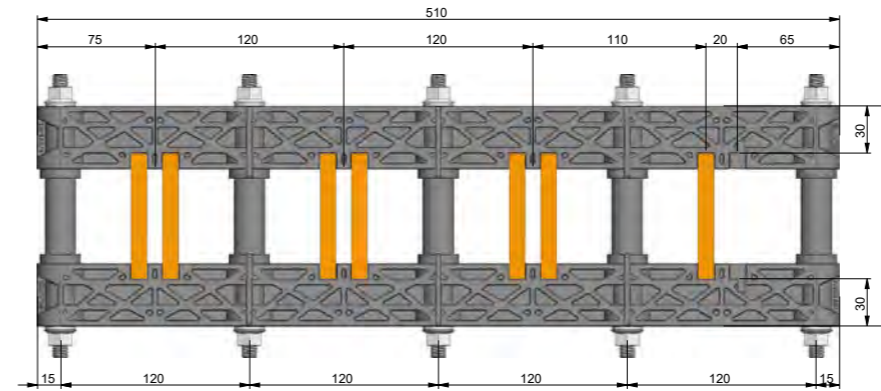
Lower base for flat copper bars from 630A up to 2000A (neutral= 100%)

PRODUCT CODE	PACKAGE CONTENT	WEIGHT (KG)	In (A)
ISB412CU/C	1	2,1	from 630A up to 1600A



FOUR-POLE LINEAR BUSBAR HOLDERS FOR FLAT COPPER BARS (DOUBLE BAR PER PHASE, NEUTRAL=50%, MOUNTING DISTANCE BETWEEN BUSBAR HOLDERS= 120 MM)

Four-pole busbar holders for flat copper bars from 1600A up to 4300A (neutral= 50%)



PRODUCT CODE	PACKAGE CONTENT	WEIGHT (KG)	PROFILE SIZE (HxTHK)	H (MM)	In (A)
IS41612CU2/C	cod. ISP120/4/C, cod. AB/10C, cod. TUB305/C	2	50x10	110	1600
IS41812CU2/C	cod. ISP120/4/C, cod. AB/10C, cod. TUB405/C	2	60x10	120	1800
IS42012CU2/C	cod. ISP120/4/C, cod. AB/10C, cod. TUB605/C	2,1	80x10	140	2000
IS42512CU2/C	cod. ISP120/4/C, cod. AB/10C, cod. TUB805/C	2,3	100x10	160	2500
IS43012CU2/C	cod. ISP120/4/C, cod. AB/10C, cod. TUB105/C	2,4	120x10	180	3000
IS43612CU2/C	cod. ISP120/4/C, cod. AB/10C, cod. TUB145/C	2,2	160x10	220	3600
IS44312CU2/C	cod. ISP120/4/C, cod. AB/10C, cod. TUB185/C	2,2	200x10	260	4300

MAXIMUM MOUNTING DISTANCE BETWEEN BUSBAR HOLDERS

Max. mounting distance	lcc	lcc	lcc	lcc	lcc	lcc	lcc
l. Nom	1600A	1800A	2000A	2500A	3000A	3600A	4300A
1000mm	20 kA	20 kA	25 kA	30 kA	35 kA	45 kA	50 kA
950mm	20 kA	20 kA	30 kA	35 kA	40 kA	50 kA	55 kA
900mm	20 kA	20 kA	30 kA	35 kA	40 kA	50 kA	55 kA
850mm	20 kA	20 kA	30 kA	35 kA	40 kA	50 kA	55 kA
800mm	25 kA	25 kA	35 kA	40 kA	45 kA	55 kA	60 kA
750mm	25 kA	30 kA	40 kA	40 kA	45 kA	55 kA	60 kA
700mm	25 kA	30 kA	40 kA	45 kA	45 kA	55 kA	60 kA
650mm	25 kA	30 kA	40 kA	45 kA	45 kA	55 kA	60 kA
600mm	30 kA	35 kA	45 kA	50 kA	50 kA	60 kA	65 kA
550mm	35 kA	40 kA	45 kA	55 kA	60 kA	75 kA	80 kA
500mm	40 kA	45 kA	50 kA	60 kA	70 kA	80 kA	85 kA
450mm	45 kA	50 kA	60 kA	65 kA	75 kA	95 kA	95 kA
400mm	50 kA	55 kA	65 kA	80 kA	90 kA	100 kA	105 kA
350mm	55 kA	60 kA	75 kA	90 kA	100 kA	105 kA	
300mm	65 kA	70 kA	90 kA	105 kA	105 kA		
250mm	90 kA	85 kA	100 kA				
200mm	95 kA	105 kA	105 kA				
Code	IS41612CU2/C	IS41812CU2/C	IS42012CU2/C	IS42512CU2/C	IS43012CU2/C	IS43612CU2/C	IS44312CU2/C

FOUR-POLE LOWER BASE

(Mounting distance between busbar holders= 120 mm)

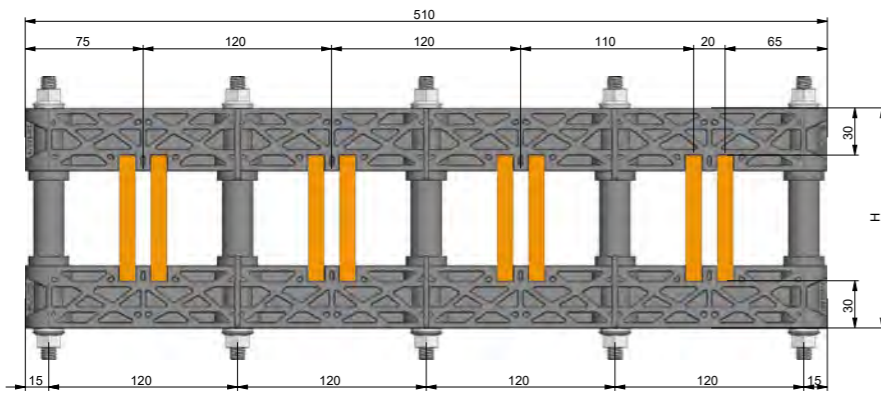
Lower base for flat copper bars from 1600A up to 4300A (neutral= 50%)

PRODUCT CODE	PACKAGE CONTENT	WEIGHT (KG)	In (A)
ISB412CU/C	1	2,1	from 1600A up to 4300A



FOUR-POLE LINEAR BUSBAR HOLDERS FOR FLAT COPPER BARS (NEUTRAL=100%, MOUNTING DISTANCE BETWEEN BUSBAR HOLDERS= 120 MM)

Four-pole busbar holders for flat copper bars from 1600A up to 4300A (neutral= 100%)



PRODUCT CODE	PACKAGE CONTENT	WEIGHT (KG)	PROFILE SIZE (HxTHK)	H (MM)	In (A)
IS41612CU2/C	cod. ISP120/4/C, cod. TUB305/C	2	50x10	110	1600
IS41812CU2/C	cod. ISP120/4/C, cod. TUB405/C	2	60x10	120	1800
IS42012CU2/C	cod. ISP120/4/C, cod. TUB605/C	2,1	80x10	140	2000
IS42512CU2/C	cod. ISP120/4/C, cod. TUB805/C	2,3	100x10	160	2500
IS43012CU2/C	cod. ISP120/4/C, cod. TUB105/C	2,4	120x10	180	3000
IS43612CU2/C	cod. ISP120/4/C, cod. TUB145/C	2,2	160x10	220	3600
IS44312CU2/C	cod. ISP120/4/C, cod. TUB185/C	2,2	200x10	260	4300

MAXIMUM MOUNTING DISTANCE BETWEEN BUSBAR HOLDERS							
Max. mounting distance l. Nom	1600A	1800A	2000A	2500A	3000A	3600A	4300A
1000mm	20 kA	20 kA	25 kA	30 kA	35 kA	45 kA	50 kA
950mm	20 kA	20 kA	30 kA	35 kA	40 kA	50 kA	55 kA
900mm	20 kA	20 kA	30 kA	35 kA	40 kA	50 kA	55 kA
850mm	20 kA	20 kA	30 kA	35 kA	40 kA	50 kA	55 kA
800mm	25 kA	25 kA	35 kA	40 kA	45 kA	55 kA	60 kA
750mm	25 kA	30 kA	40 kA	40 kA	45 kA	55 kA	60 kA
700mm	25 kA	30 kA	40 kA	45 kA	45 kA	55 kA	60 kA
650mm	25 kA	30 kA	40 kA	45 kA	45 kA	55 kA	60 kA
600mm	30 kA	35 kA	45 kA	50 kA	50 kA	60 kA	65 kA
550mm	35 kA	40 kA	45 kA	55 kA	60 kA	75 kA	80 kA
500mm	40 kA	45 kA	50 kA	60 kA	70 kA	80 kA	85 kA
450mm	45 kA	50 kA	60 kA	65 kA	75 kA	95 kA	95 kA
400mm	50 kA	55 kA	65 kA	80 kA	90 kA	100 kA	105 kA
350mm	55 kA	60 kA	75 kA	90 kA	100 kA	105 kA	
300mm	65 kA	70 kA	90 kA	105 kA	105 kA		
250mm	90 kA	85 kA	100 kA				
200mm	95 kA	105 kA	105 kA				
Code	IS41612CU2/C	IS41812CU2/C	IS42012CU2/C	IS42512CU2/C	IS43012CU2/C	IS43612CU2/C	IS44312CU2/C

FOUR-POLE LOWER BASE

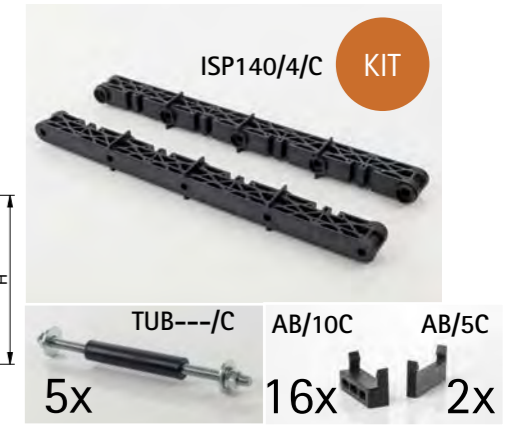
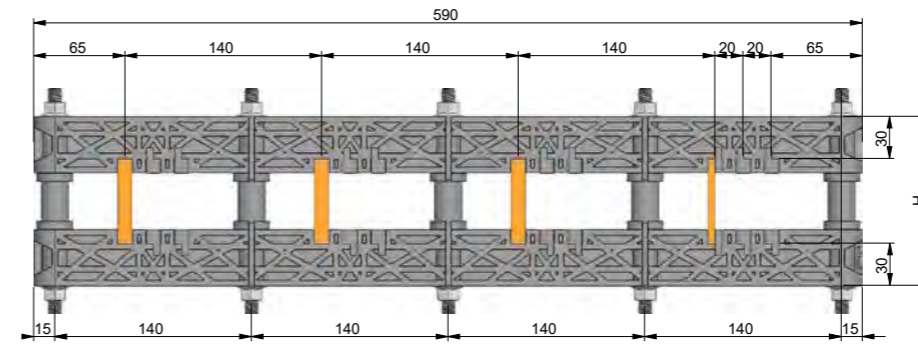
(Mounting distance between busbar holders= 120 mm)
Lower base for flat copper bars from 1600A up to 4300A (neutral= 100%)



PRODUCT CODE	PACKAGE CONTENT	WEIGHT (KG)	In (A)
ISB412CU/C	1	2,1	from 1600A up to 4300A

FOUR-POLE LINEAR BUSBAR HOLDERS FOR FLAT COPPER BARS (NEUTRAL=50%) (MOUNTING DISTANCE BETWEEN BUSBAR HOLDERS= 140 MM)

Four-pole busbar holders for flat copper bars from 630A up to 1600A (neutral= 50%)



PRODUCT CODE	PACKAGE CONTENT	WEIGHT (KG)	PROFILE SIZE (HxTHK)	H (MM)	In (A)
IS46314CU1/C	cod. ISP140/4/C, cod. AB/10C, cod. AB/5C, cod. TUB205/C	2,1	40x10	100	630
IS48014CU1/C	cod. ISP140/4/C, cod. AB/10C, cod. AB/5C, cod. TUB305/C	2,2	50x10	110	800
IS41014CU1/C	cod. ISP140/4/C, cod. AB/10C, cod. AB/5C, cod. TUB405/C	2,2	60x10	120	1000
IS41214CU1/C	cod. ISP140/4/C, cod. AB/10C, cod. AB/5C, cod. TUB605/C	2,3	80x10	140	1250
IS41614CU1/C	cod. ISP140/4/C, cod. AB/10C, cod. AB/5C, cod. TUB805/C	2,5	100x10	160	1600

MAXIMUM MOUNTING DISTANCE BETWEEN BUSBAR HOLDERS					
Rating (A)	630A	800A	1000A	1250A	1600A
Max. mounting distance	lcc	lcc	lcc	lcc	lcc
1000mm	20 kA	20 kA	25 kA	30 kA	35 kA
950mm	20 kA	25 kA	25 kA	30 kA	35 kA
900mm	20 kA	25 kA	30 kA	30 kA	35 kA
850mm	25 kA	25 kA	30 kA	35 kA	40 kA
800mm	25 kA	30 kA	30 kA	35 kA	40 kA
750mm	25 kA	30 kA	35 kA	40 kA	45 kA
700mm	30 kA	35 kA	35 kA	45 kA	50 kA
650mm	30 kA	35 kA	40 kA	45 kA	50 kA
600mm	35 kA	40 kA	45 kA	50 kA	55 kA
550mm	40 kA	45 kA	45 kA	55 kA	60 kA
500mm	40 kA	50 kA	50 kA	60 kA	65 kA
450mm	45 kA	50 kA	55 kA	65 kA	75 kA
400mm	50 kA	55 kA	65 kA	75 kA	80 kA
350mm	60 kA	65 kA	70 kA	85 kA	95 kA
300mm	70 kA	75 kA	85 kA	100 kA	105 kA
250mm	85 kA	95 kA	105 kA	105 kA	
200mm	105 kA	105 kA			
Code	IS46314CU1/C	IS48014CU1/C	IS41014CU1/C	IS41214CU1/C	IS41614CU1/C

FOUR-POLE LOWER BASE

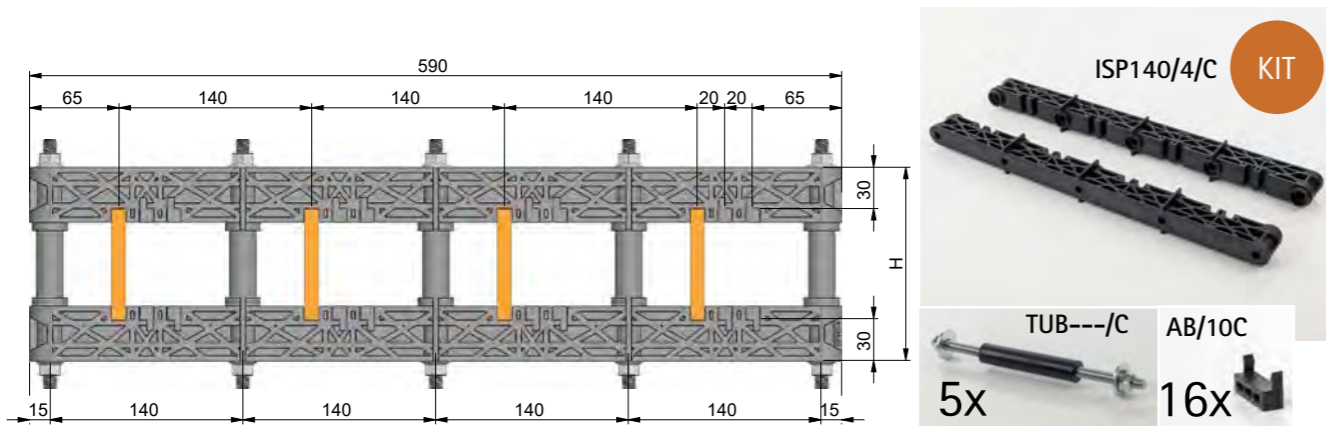
(Mounting distance between busbar holders= 140 mm)
Lower base for flat copper bars from 630A up to 1600A (neutral= 50%)



PRODUCT CODE	PACKAGE CONTENT	WEIGHT (KG)	In (A)
ISB414CU/C	1	2,1	from 630A up to 1600A

FOUR-POLE LINEAR BUSBAR HOLDERS FOR FLAT COPPER BARS (NEUTRAL=100%) (MOUNTING DISTANCE BETWEEN BUSBAR HOLDERS= 140 MM)

Four-pole busbar holders for flat copper bars from 630A up to 2000A (neutral= 100%)



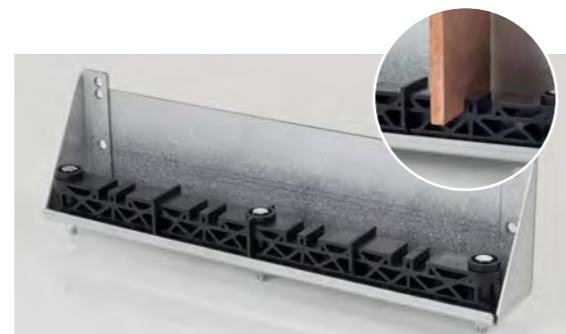
PRODUCT CODE	PACKAGE CONTENT	WEIGHT (KG)	PROFILE SIZE (HxTHK)	H (MM)	In (A)
IS46314CU1/C	cod. ISP140/4/C, cod. AB/10C, cod. TUB205/C	2,1	40x10	100	630
IS48014CU1/C	cod. ISP140/4/C, cod. AB/10C, cod. TUB305/C	2,2	50x10	110	800
IS41014CU1/C	cod. ISP140/4/C, cod. AB/10C, cod. TUB405/C	2,2	60x10	120	1000
IS41214CU1/C	cod. ISP140/4/C, cod. AB/10C, cod. TUB605/C	2,3	80x10	140	1250
IS41614CU1/C	cod. ISP140/4/C, cod. AB/10C, cod. TUB805/C	2,5	100x10	160	1600
IS41814CU1/C	cod. ISP140/4/C, cod. AB/10C, cod. TUB105/C	2,7	120x10	180	1800
IS42014CU1/C	cod. ISP140/4/C, cod. AB/10C, cod. TUB145/C	2,9	160x10	220	2000

MAXIMUM MOUNTING DISTANCE BETWEEN BUSBAR HOLDERS							
Rating (A)	630A	800A	1000A	1250A	1600A	1800A	2000A
Max. mounting distance	lcc	lcc	lcc	lcc	lcc	lcc	lcc
1000mm	20 kA	20 kA	25 kA	30 kA	35 kA	35 kA	40 kA
950mm	20 kA	25 kA	25 kA	30 kA	35 kA	40 kA	45 kA
900mm	20 kA	25 kA	30 kA	30 kA	35 kA	40 kA	45 kA
850mm	25 kA	25 kA	30 kA	35 kA	40 kA	45 kA	50 kA
800mm	25 kA	30 kA	30 kA	35 kA	40 kA	45 kA	50 kA
750mm	25 kA	30 kA	35 kA	40 kA	45 kA	50 kA	55 kA
700mm	30 kA	35 kA	35 kA	45 kA	50 kA	50 kA	55 kA
650mm	30 kA	35 kA	40 kA	45 kA	50 kA	55 kA	55 kA
600mm	35 kA	40 kA	45 kA	50 kA	55 kA	55 kA	55 kA
550mm	40 kA	45 kA	45 kA	55 kA	60 kA	60 kA	60 kA
500mm	40 kA	50 kA	50 kA	60 kA	65 kA	70 kA	80 kA
450mm	45 kA	50 kA	55 kA	65 kA	75 kA	80 kA	95 kA
400mm	50 kA	55 kA	65 kA	75 kA	80 kA	90 kA	105 kA
350mm	60 kA	65 kA	70 kA	85 kA	95 kA	105 kA	
300mm	70 kA	75 kA	85 kA	100 kA	105 kA		
250mm	85 kA	95 kA	105 kA				
200mm	105 kA	105 kA					
Code	IS46314CU1/C	IS48014CU1/C	IS41014CU1/C	IS41214CU1/C	IS41614CU1/C	IS41814CU1/C	IS42014CU1/C

FOUR-POLE LOWER BASE

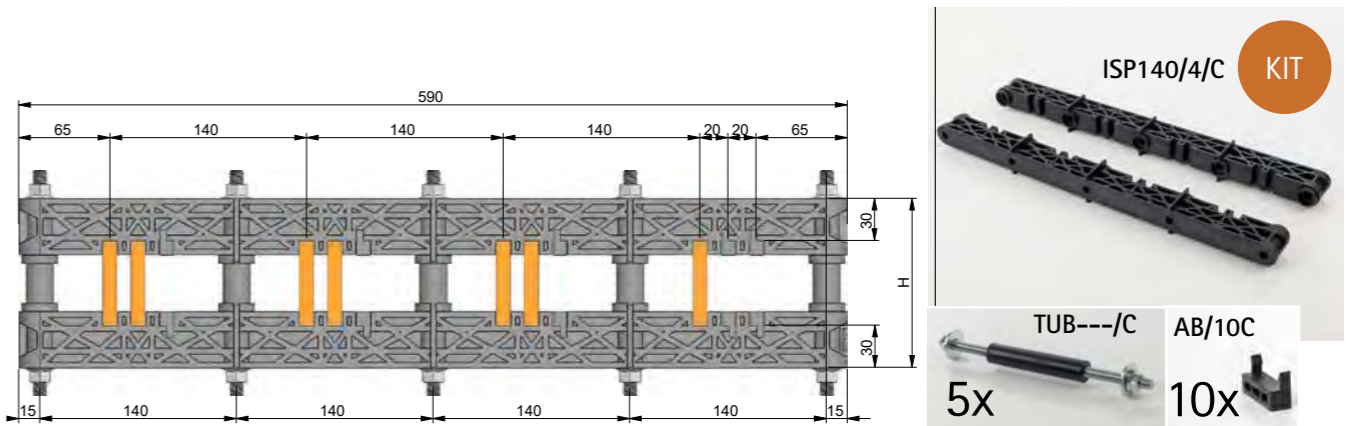
(Mounting distance between busbar holders= 140 mm)
Lower base for flat copper bars from 630A up to 2000A (neutral= 100%)

PRODUCT CODE	PACKAGE CONTENT	WEIGHT (KG)	In (A)
ISB414CU/C	1	2,1	from 630A up to 2000A



FOUR-POLE LINEAR BUSBAR HOLDERS FOR FLAT COPPER BARS (DOUBLE BAR PER PHASE, NEUTRAL=50%, MOUNTING DISTANCE BETWEEN BUSBAR HOLDERS= 140 MM)

Four-pole busbar holders for flat copper bars from 1800A up to 4300A (neutral= 50%)



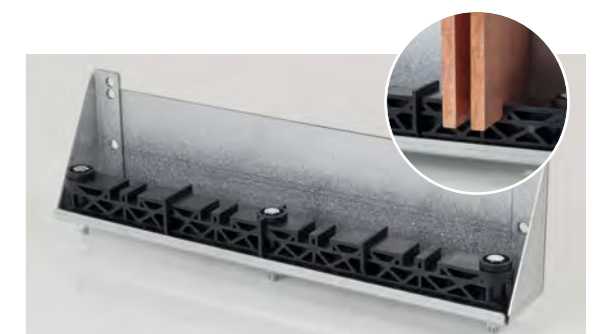
PRODUCT CODE	PACKAGE CONTENT	WEIGHT (KG)	PROFILE SIZE (HxTHK)	H (MM)	In (A)
IS41814CU2/C	cod. ISP140/4/C, cod. AB/10C, cod. TUB405/C	2,1	60x10	120	1800
IS42014CU2/C	cod. ISP140/4/C, cod. AB/10C, cod. TUB605/C	2,2	80x10	140	2000
IS42514CU2/C	cod. ISP140/4/C, cod. AB/10C, cod. TUB805/C	2,2	100x10	160	2500
IS43614CU2/C	cod. ISP140/4/C, cod. AB/10C, cod. TUB145/C	2,5	160x10	220	3600
IS44314CU2/C	cod. ISP140/4/C, cod. AB/10C, cod. TUB185/C	2,5	200x10	260	4300

MAXIMUM MOUNTING DISTANCE BETWEEN BUSBAR HOLDERS					
Rating (A)	1800A	2000A	2500A	3600A	4300A
Max. mounting distance	lcc	lcc	lcc	lcc	lcc
1000mm	20 kA	20 kA	25 kA	30 kA	35 kA
950mm	20 kA	25 kA	25 kA	30 kA	35 kA
900mm	20 kA	25 kA	30 kA	30 kA	35 kA
850mm	25 kA	25 kA	30 kA	35 kA	40 kA
800mm	25 kA	30 kA	30 kA	35 kA	40 kA
750mm	25 kA	30 kA	35 kA	40 kA	45 kA
700mm	30 kA	35 kA	35 kA	45 kA	50 kA
650mm	30 kA	35 kA	40 kA	45 kA	50 kA
600mm	35 kA	40 kA	45 kA	50 kA	55 kA
550mm	40 kA	45 kA	45 kA	55 kA	60 kA
500mm	40 kA	50 kA	50 kA	60 kA	65 kA
450mm	45 kA	50 kA	55 kA	65 kA	75 kA
400mm	50 kA	55 kA	65 kA	75 kA	80 kA
350mm	60 kA	65 kA	70 kA	85 kA	95 kA
300mm	70 kA	75 kA	85 kA	100 kA	105 kA
250mm	85 kA	95 kA	105 kA		
200mm	105 kA	105 kA			
Code	IS41814CU2/C	IS42014CU2/C	IS42514CU2/C	IS43614CU2/C	IS44314CU2/C

FOUR-POLE LOWER BASE

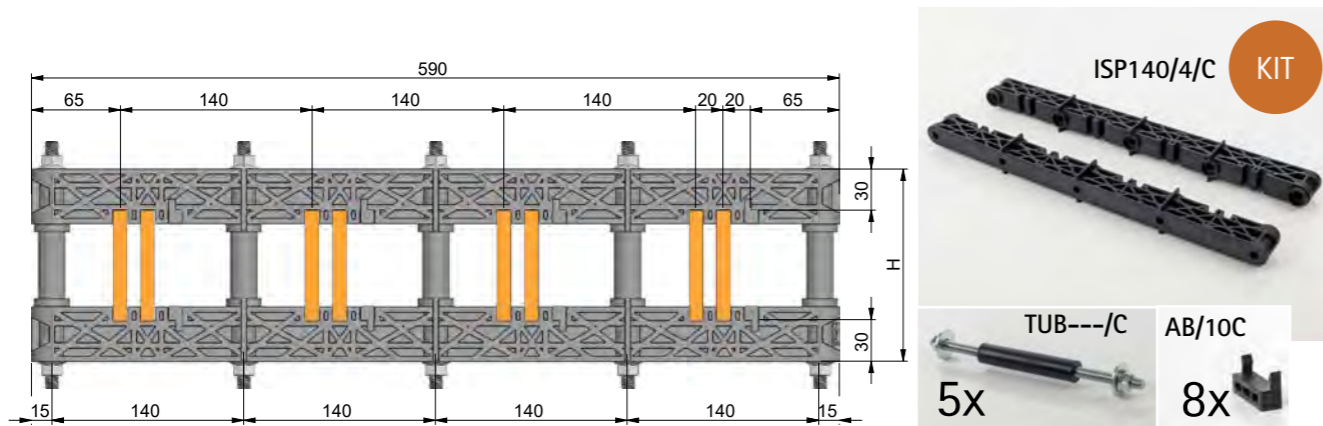
(Mounting distance between busbar holders= 140 mm)
Lower base for flat copper bars from 1800A up to 4300A (neutral= 50%)

PRODUCT CODE	PACKAGE CONTENT	WEIGHT (KG)	In (A)
ISB414CU/C	1	2,1	from 1800A up to 4300A



FOUR-POLE LINEAR BUSBAR HOLDERS FOR FLAT COPPER BARS (DOUBLE BAR PER PHASE, NEUTRAL=100%, MOUNTING DISTANCE BETWEEN BUSBAR HOLDERS= 140 MM)

Four-pole busbar holders for flat copper bars from 1800A up to 4300A (neutral= 100%)



PRODUCT CODE	PACKAGE CONTENT	WEIGHT (KG)	PROFILE SIZE (HxTHK)	H (MM)	In (A)
IS41814CU2/C	cod. ISP140/4/C, cod. AB/10C, cod. TUB405/C	2,1	60x10	120	1800
IS42014CU2/C	cod. ISP140/4/C, cod. AB/10C, cod. TUB605/C	2,2	80x10	140	2000
IS42514CU2/C	cod. ISP140/4/C, cod. AB/10C, cod. TUB805/C	2,2	100x10	160	2500
IS43014CU2/C	cod. ISP140/4/C, cod. AB/10C, cod. TUB105/C	2,3	120x10	180	3000
IS43614CU2/C	cod. ISP140/4/C, cod. AB/10C, cod. TUB145/C	2,5	160x10	220	3600
IS44314CU2/C	cod. ISP140/4/C, cod. AB/10C, cod. TUB185/C	2,5	200x10	260	4300

MAXIMUM MOUNTING DISTANCE BETWEEN BUSBAR HOLDERS						
Rating (A)	1800A	2000A	2500A	3000A	3600A	4300A
Max. mounting distance	lcc	lcc	lcc	lcc	lcc	lcc
1000mm	20 kA	25 kA	30 kA	35 kA	45 kA	55 kA
950mm	25 kA	30 kA	35 kA	40 kA	50 kA	55 kA
900mm	25 kA	30 kA	35 kA	40 kA	50 kA	60 kA
850mm	25 kA	30 kA	40 kA	45 kA	50 kA	65 kA
800mm	30 kA	35 kA	40 kA	45 kA	55 kA	65 kA
750mm	30 kA	35 kA	45 kA	50 kA	60 kA	65 kA
700mm	30 kA	40 kA	45 kA	50 kA	60 kA	65 kA
650mm	35 kA	45 kA	50 kA	60 kA	60 kA	65 kA
600mm	40 kA	45 kA	55 kA	60 kA	75 kA	85 kA
550mm	40 kA	50 kA	60 kA	65 kA	80 kA	90 kA
500mm	45 kA	55 kA	65 kA	75 kA	90 kA	100 kA
450mm	50 kA	60 kA	70 kA	80 kA	100 kA	105 kA
400mm	55 kA	70 kA	85 kA	90 kA	105 kA	
350mm	65 kA	80 kA	85 kA	105 kA		
300mm	75 kA	90 kA	90 kA			
250mm	90 kA	105 kA	105 kA			
200mm	105 kA					
Code	IS41814CU2/C	IS42014CU2/C	IS42514CU2/C	IS43014CU2/C	IS43614CU2/C	IS44314CU2/C

FOUR-POLE LOWER BASE

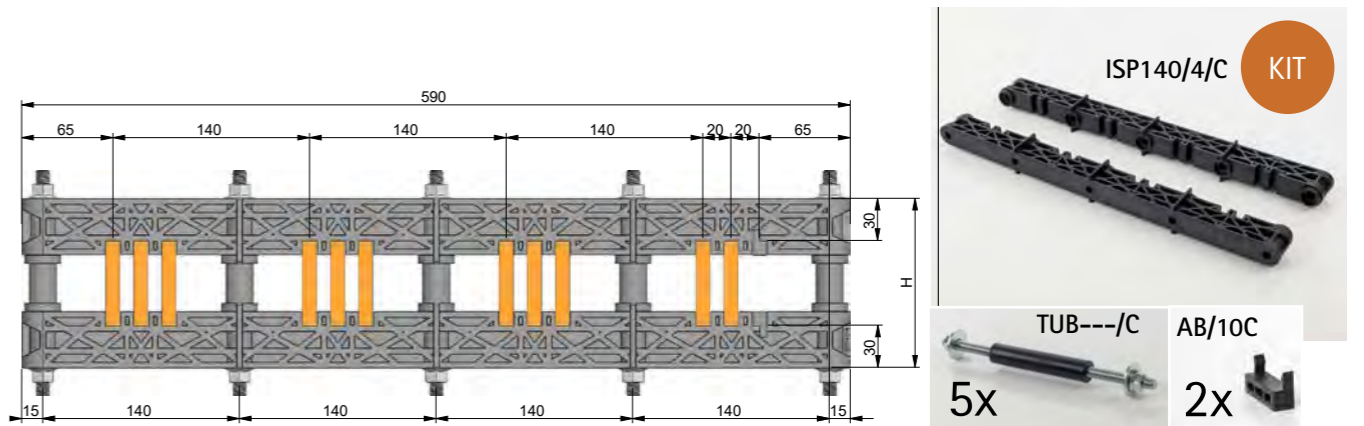
(Mounting distance between busbar holders= 140 mm)
Lower base for flat copper bars from 1800A up to 4300A (neutral= 100%)

PRODUCT CODE	PACKAGE CONTENT	WEIGHT (KG)	In (A)
ISB414CU/C	1	2,1	from 1800A up to 4300A



FOUR-POLE LINEAR BUSBAR HOLDERS FOR FLAT COPPER BARS (NEUTRAL=50%) (MOUNTING DISTANCE BETWEEN BUSBAR HOLDERS= 140 MM)

Four-pole busbar holders for flat copper bars from 3000A up to 6300A (neutral= 50%)



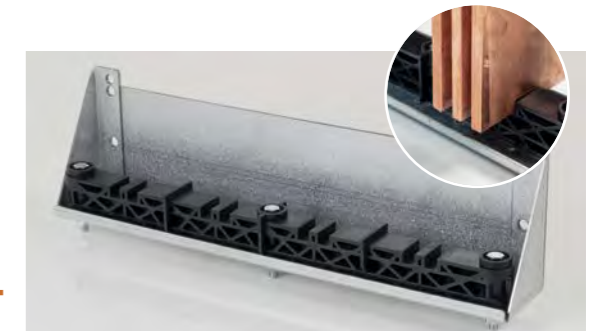
PRODUCT CODE	PACKAGE CONTENT	WEIGHT (KG)	PROFILE SIZE (HxTHK)	H (MM)	In (A)
IS43014CU3/C	cod. ISP140/4/C, cod. AB/10C, cod. TUB405/C	2,1	60x10	140	3000
IS43314CU3/C	cod. ISP140/4/C, cod. AB/10C, cod. TUB605/C	2,2	80x10	160	3300
IS44014CU3/C	cod. ISP140/4/C, cod. AB/10C, cod. TUB805/C	2,2	100x10	180	4000
IS45014CU3/C	cod. ISP140/4/C, cod. AB/10C, cod. TUB145/C	2,5	160x10	220	5000
IS46314CU3/C	cod. ISP140/4/C, cod. AB/10C, cod. TUB185/C	2,5	200x10	260	6300

MAXIMUM MOUNTING DISTANCE BETWEEN BUSBAR HOLDERS					
Rating (A)	3000A	3300A	4000A	5000A	6300A
Max. mounting distance	lcc	lcc	lcc	lcc	lcc
1000mm	30 kA	35 kA	45 kA	50 kA	60 kA
950mm	35 kA	35 kA	50 kA	55 kA	60 kA
900mm	35 kA	35 kA	50 kA	60 kA	60 kA
850mm	40 kA	45 kA	50 kA	60 kA	65 kA
800mm	40 kA	50 kA	50 kA	65 kA	65 kA
750mm	45 kA	50 kA	55 kA	65 kA	65 kA
700mm	45 kA	55 kA	55 kA	65 kA	65 kA
650mm	50 kA	55 kA	55 kA	65 kA	65 kA
600mm	55 kA	55 kA	70 kA	80 kA	85 kA
550mm	60 kA	60 kA	75 kA	85 kA	90 kA
500mm	65 kA	75 kA	85 kA	100 kA	100 kA
450mm	70 kA	85 kA	95 kA	105 kA	105 kA
400mm	80 kA	95 kA	105 kA		
350mm	90 kA	105 kA			
300mm	105 kA				
Code	IS43014CU3/C	IS43314CU3/C	IS44014CU3/C	IS45014CU3/C	IS46314CU3/C

FOUR-POLE LOWER BASE

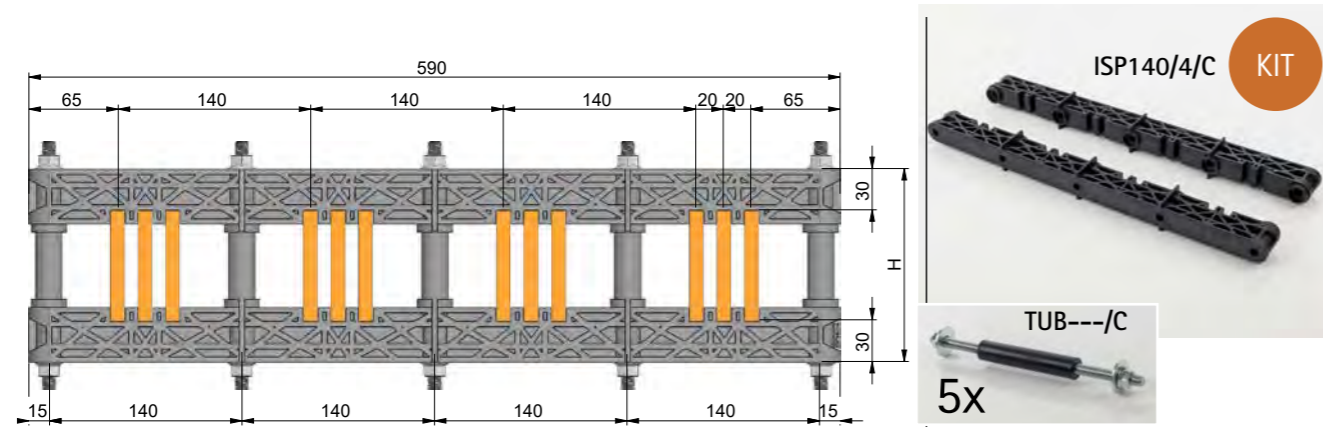
(Mounting distance between busbar holders= 140 mm)
Lower base for flat copper bars from 3000A up to 6300A (neutral= 50%)

PRODUCT CODE	PACKAGE CONTENT	WEIGHT (KG)	In (A)
ISB414CU/C	1	2,1	from 3000A up to 6300A



FOUR-POLE LINEAR BUSBAR HOLDERS FOR FLAT COPPER BARS (NEUTRAL = 100%) (MOUNTING DISTANCE BETWEEN BUSBAR HOLDERS= 140 MM)

Four-pole busbar holders for flat copper bars from 3000A up to 6300A (neutral= 100%)



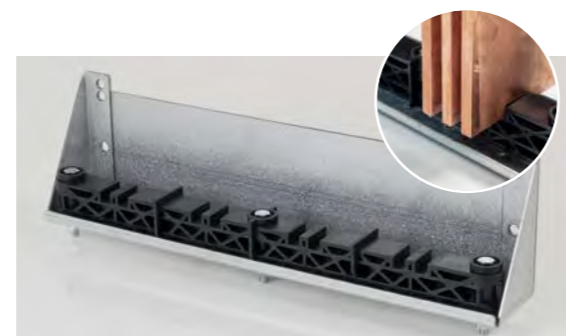
PRODUCT CODE	PACKAGE CONTENT	WEIGHT (KG)	PROFILE SIZE (HxTHK)	H (MM)	In (A)
IS43014CU3/C	cod. ISP140/4/C, cod. TUB605/C	2,1	80x10	140	3000
IS43314CU3/C	cod. ISP140/4/C, cod. TUB805/C	2,2	100x10	160	3300
IS44014CU3/C	cod. ISP140/4/C, cod. TUB105/C	2,2	120x10	180	4000
IS45014CU3/C	cod. ISP140/4/C, cod. TUB145/C	2,5	160x10	220	5000
IS46314CU3/C	cod. ISP140/4/C, cod. TUB185/C	2,5	200x10	260	6300

MAXIMUM MOUNTING DISTANCE BETWEEN BUSBAR HOLDERS					
Rating (A)	3000A	3300A	4000A	5000A	6300A
Max. mounting distance	lcc	lcc	lcc	lcc	lcc
1000mm	30 kA	35 kA	45 kA	50 kA	60 kA
950mm	35 kA	35 kA	50 kA	55 kA	60 kA
900mm	35 kA	35 kA	50 kA	60 kA	60 kA
850mm	40 kA	45 kA	50 kA	60 kA	65 kA
800mm	40 kA	50 kA	50 kA	65 kA	65 kA
750mm	45 kA	50 kA	55 kA	65 kA	65 kA
700mm	45 kA	55 kA	55 kA	65 kA	65 kA
650mm	50 kA	55 kA	55 kA	65 kA	65 kA
600mm	55 kA	55 kA	70 kA	80 kA	85 kA
550mm	60 kA	60 kA	75 kA	85 kA	90 kA
500mm	65 kA	75 kA	85 kA	100 kA	100 kA
450mm	70 kA	85 kA	95 kA	105 kA	105 kA
400mm	80 kA	95 kA	105 kA		
350mm	90 kA	105 kA			
300mm	105 kA				
Code	IS43014CU3/C	IS43314CU3/C	IS44014CU3/C	IS45014CU3/C	IS46314CU3/C

FOUR-POLE LOWER BASE

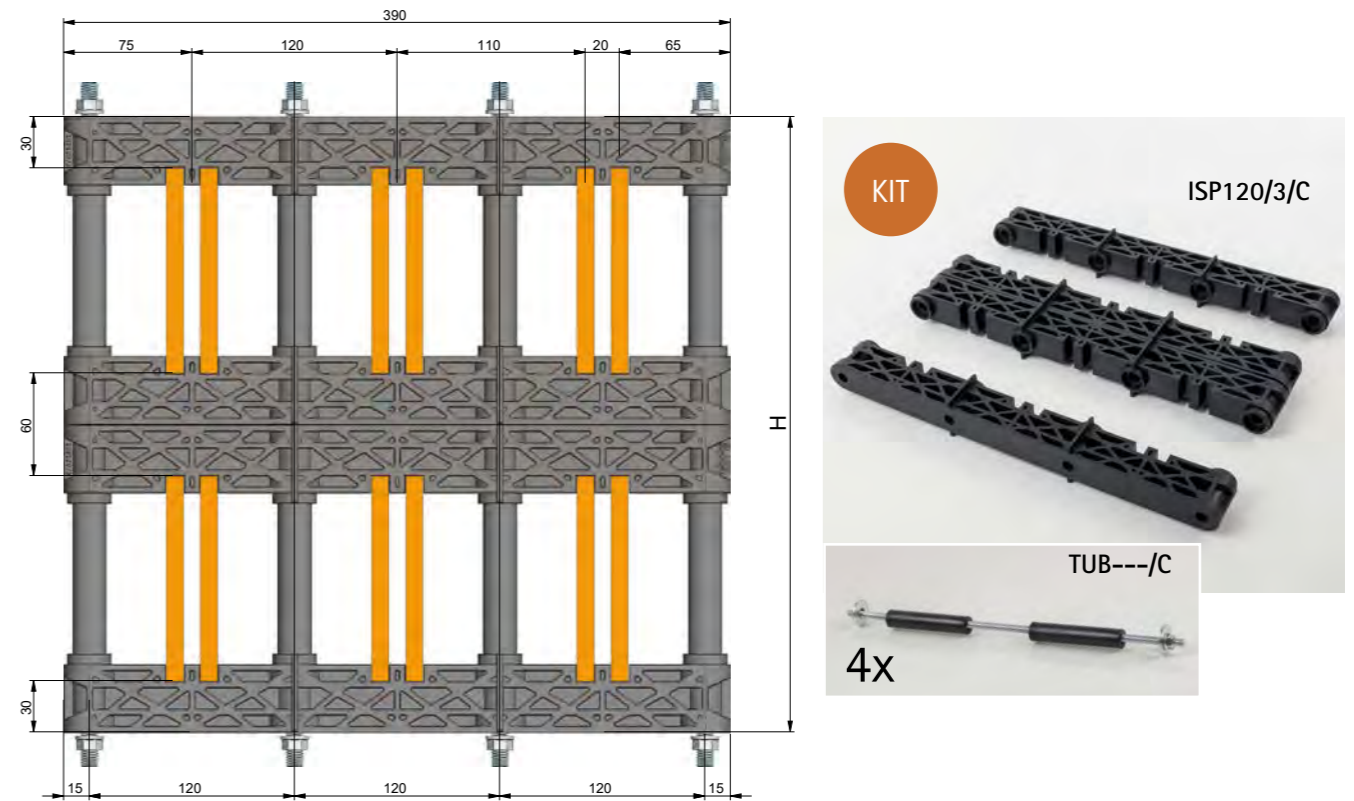
(Mounting distance between busbar holders= 140 mm)
Lower base for flat copper bars from 3000A up to 6300A (neutral=100%)

PRODUCT CODE	PACKAGE CONTENT	WEIGHT (KG)	In (A)
ISB414CU/C	1	2,1	from 3000A up to 6300A



THREE-POLE LINEAR BUSBAR HOLDERS FOR FLAT COPPER BARS (DOUBLE BAR PER PHASE, MOUNTING DISTANCE BETWEEN BUSBAR HOLDERS= 120 MM)

Three-pole busbar holders for flat copper bars from 5000A up to 6300A

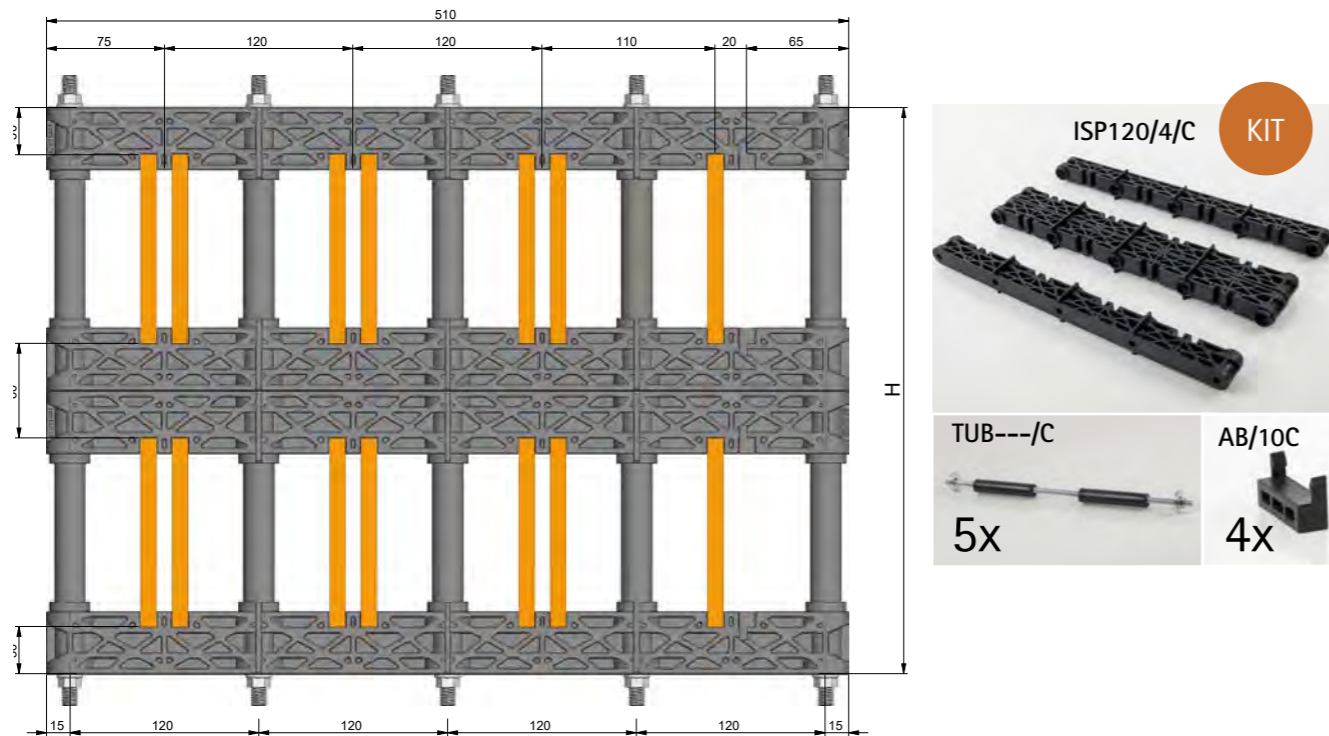


PRODUCT CODE	PACKAGE CONTENT	WEIGHT (KG)	PROFILE SIZE (HxTHK)	H (MM)	In (A)
IS35012CU2/C	cod. ISP120/3/C, cod. TUB885/C	3,5	100x10	320	5000
IS3630012CU2/C	cod. ISP120/3/C, cod. TUB115/C	3,8	120x10	360	6300

MAXIMUM MOUNTING DISTANCE BETWEEN BUSBAR HOLDERS		
Rating (A)	5000A	6300A
Max. mounting distance	lcc	lcc
1000mm	30 kA	35 kA
950mm	35 kA	40 kA
900mm	35 kA	40 kA
850mm	35 kA	40 kA
800mm	40 kA	45 kA
750mm	40 kA	45 kA
700mm	45 kA	45 kA
650mm	45 kA	45 kA
600mm	50 kA	50 kA
550mm	55 kA	60 kA
500mm	60 kA	70 kA
450mm	65 kA	75 kA
400mm	80 kA	90 kA
350mm	90 kA	100 kA
300mm	105 kA	105 kA
Code	IS35012CU2/C	IS3630012CU2/C

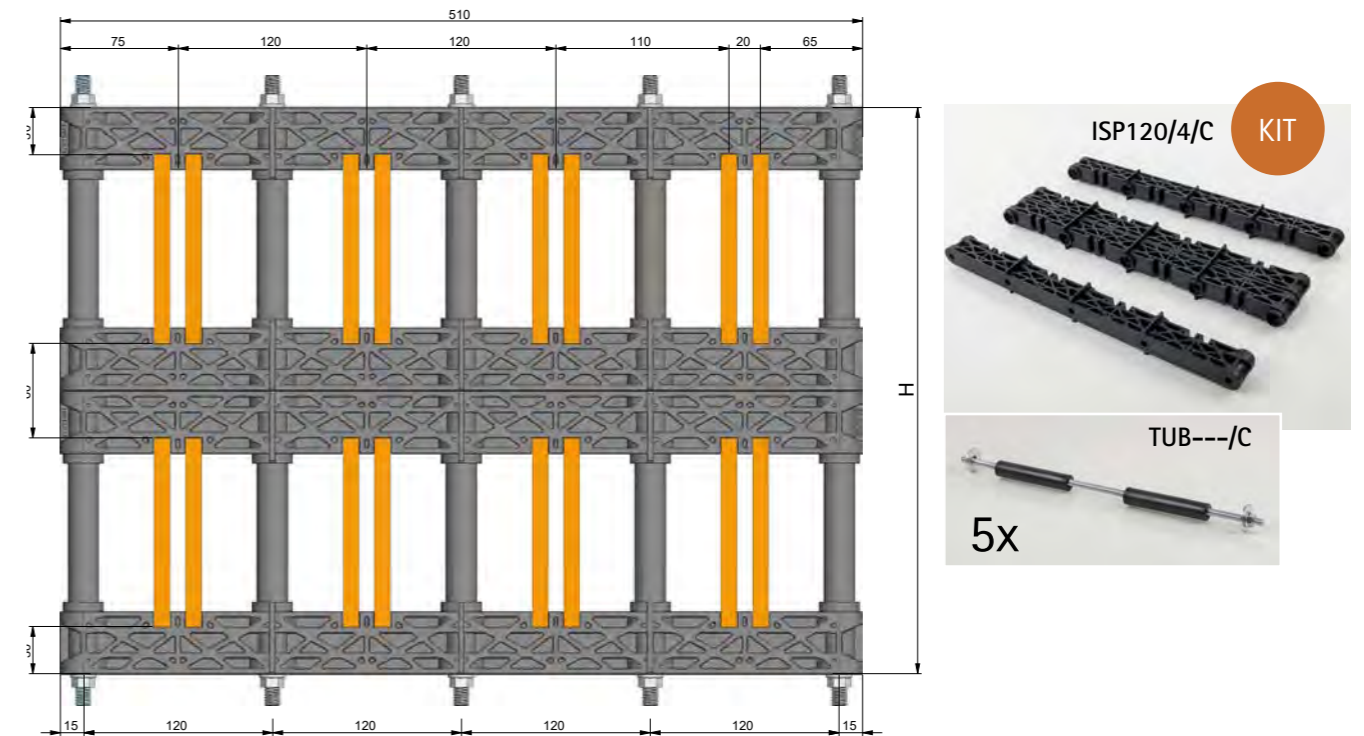
FOUR-POLE LINEAR BUSBAR HOLDERS FOR FLAT COPPER BARS (DOUBLE BAR PER PHASE, NEUTRAL=50%, MOUNTING DISTANCE BETWEEN BUSBAR HOLDERS= 120 MM)

Four-pole busbar holders for flat copper bars from 5000A up to 6300A (neutral= 50%)



FOUR-POLE LINEAR BUSBAR HOLDERS FOR FLAT COPPER BARS (DOUBLE BAR PER PHASE, NEUTRAL=100%, MOUNTING DISTANCE BETWEEN BUSBAR HOLDERS= 120 MM)

Four-pole busbar holders for flat copper bars from 5000A up to 6300A (neutral= 100%)

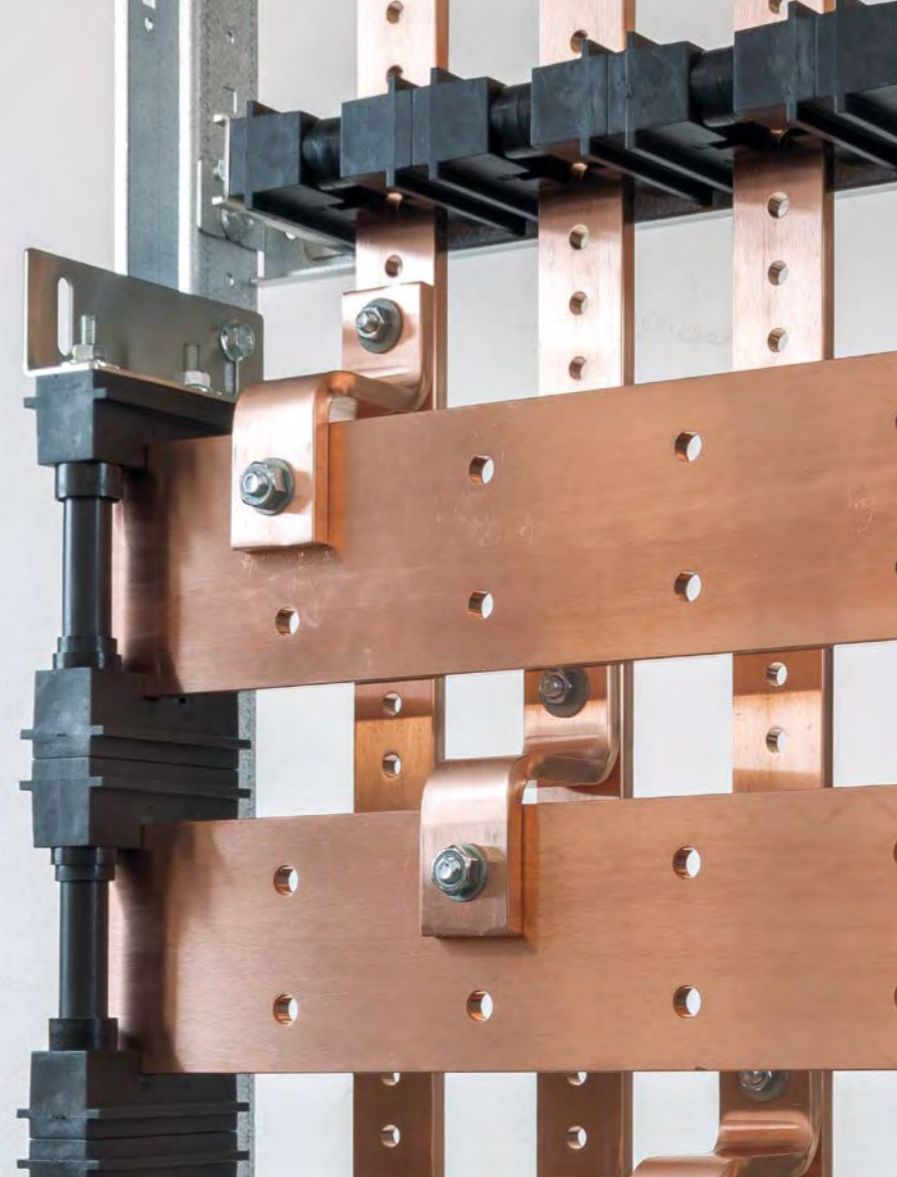
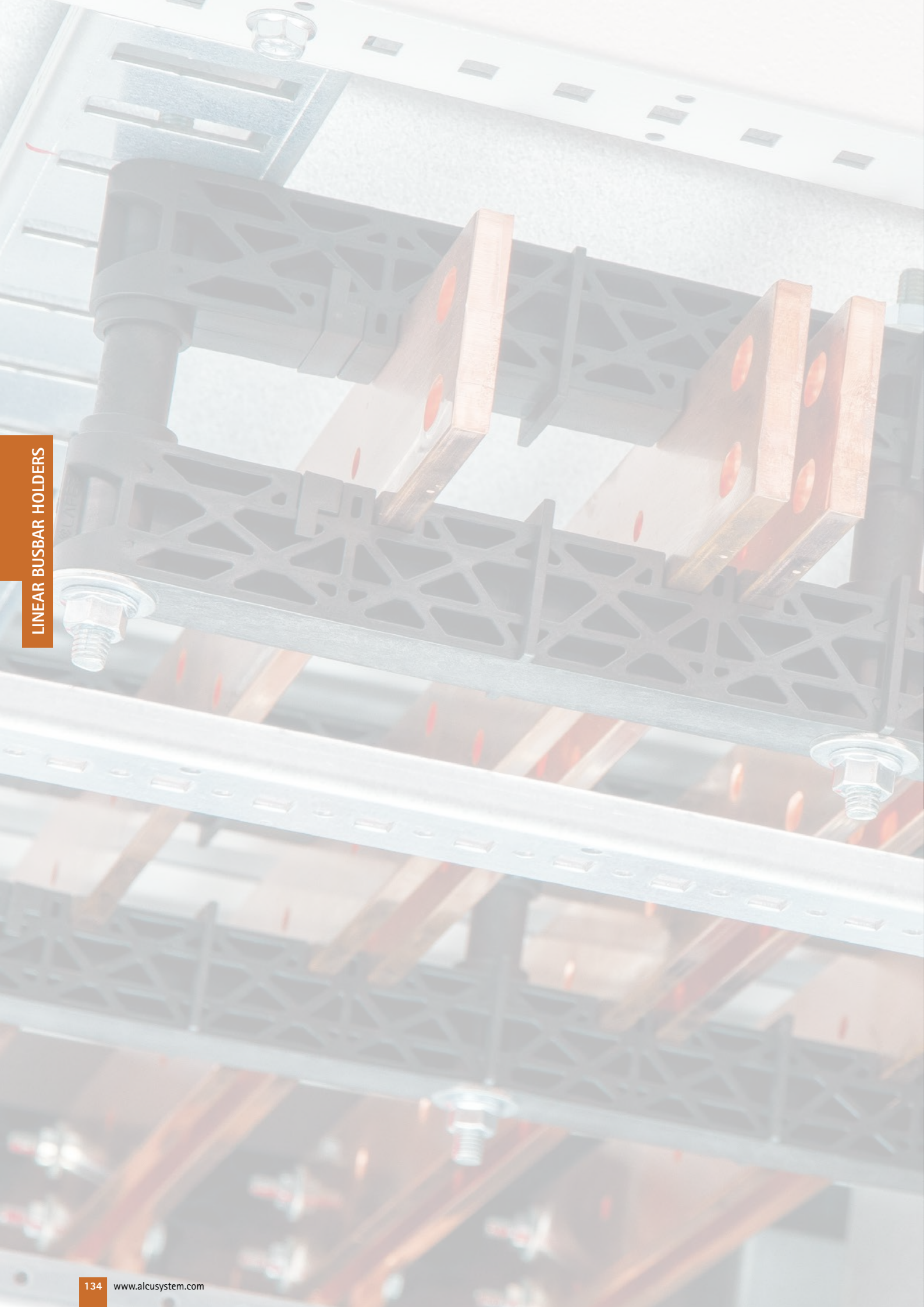


PRODUCT CODE	PACKAGE CONTENT	WEIGHT (KG)	PROFILE SIZE (HxTHK)	H (MM)	In (A)
IS45012CU2/C	cod. ISP120/4/C, cod. AB/10C, cod. TUB885/C	5,8	320	5000	5000
IS4630012CU2/C	cod. ISP120/4/C, cod. AB/10C, cod. TUB115/C	6,2	360	6300	6300

MAXIMUM MOUNTING DISTANCE BETWEEN BUSBAR HOLDERS		
Rating (A)	5000A	6300A
Max. mounting distance	lcc	lcc
1000mm	30 kA	35 kA
950mm	35 kA	40 kA
900mm	35 kA	40 kA
850mm	35 kA	40 kA
800mm	40 kA	45 kA
750mm	40 kA	45 kA
700mm	45 kA	45 kA
650mm	45 kA	45 kA
600mm	50 kA	50 kA
550mm	55 kA	60 kA
500mm	60 kA	70 kA
450mm	65 kA	75 kA
400mm	80 kA	90 kA
350mm	90 kA	100 kA
300mm	105 kA	105 kA
Code	IS45012CU2/C	IS4630012CU2/C

PRODUCT CODE	PACKAGE CONTENT	WEIGHT (KG)	PROFILE SIZE (HxTHK)	H (MM)	In (A)
IS45012CU2/C	cod. ISP120/4/C, cod. TUB885/C	5,8	320	5000	5000
IS4630012CU2/C	cod. ISP120/4/C, cod. TUB115/C	6,2	360	6300	6300

MAXIMUM MOUNTING DISTANCE BETWEEN BUSBAR HOLDERS		
Rating (A)	5000A	6300A
Max. mounting distance	lcc	lcc
1000mm	30 kA	35 kA
950mm	35 kA	40 kA
900mm	35 kA	40 kA
850mm	35 kA	40 kA
800mm	40 kA	45 kA
750mm	40 kA	45 kA
700mm	45 kA	45 kA
650mm	45 kA	45 kA
600mm	50 kA	50 kA
550mm	55 kA	60 kA
500mm	60 kA	70 kA
450mm	65 kA	75 kA
400mm	80 kA	90 kA
350mm	90 kA	100 kA
300mm	105 kA	105 kA
Code	IS45012CU2/C	IS4630012CU2/C



BACK BUSBAR HOLDERS FOR FLAT COPPER BARS

Polyamide busbar holders for flat copper bars up to 4000A. The space-saving design allows Back-Copper busbar holders to be installed on the back of the electrical cabinet, thus offering the maximum accessibility to the cabinet to work comfortably even in very tight spaces.

ADVANTAGES

- Maximum compactness
- High speed of assembly
- Versatile design for a wide range of applications

TECHNICAL SPECIFICATIONS

- Glass-fiber reinforced polyamide 6/6
- Compliance with UL 94-V0 self-extinguishing requirements
- Continuous operating temperature: 113 °C
- Glow wire test: 965 °C
- Colour: Black



CERTIFICATIONS

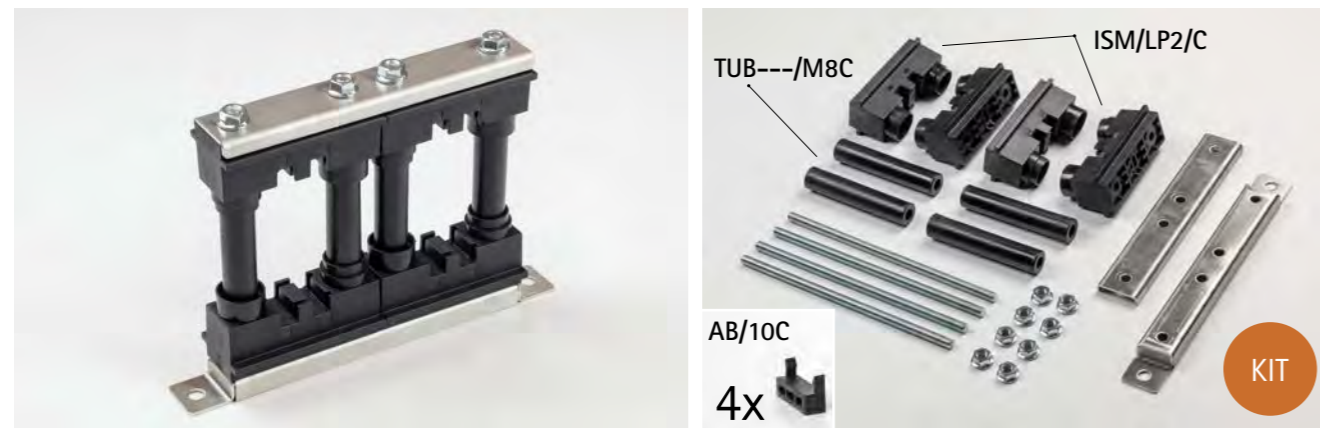
B7001848

Verification of the short-circuit withstand of the main circuits

Inom=3200 A
Icc=105 kA

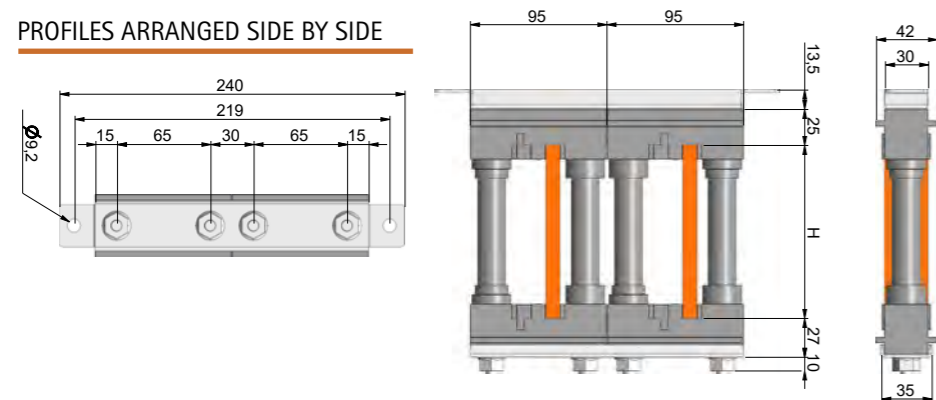
ONE-POLE BACK BUSBAR HOLDERS

Single phase Back busbar holders for copper bars from 630A up to 2000A (suitable for bars arranged side by side)



PRODUCT CODE	PACKAGE CONTENT	WEIGHT (KG)	PROFILE SIZE (HxTHK)	H (MM)	In (A)
IB263A/CU1/C	cod. ISM/LP2/C, AB/10C, cod. TUB204/M8C	2,7	40x10	90	630
IB280A/CU1/C	cod. ISM/LP2/C, AB/10C, cod. TUB304/M8C	2,7	50x10	100	800
IB210A/CU1/C	cod. ISM/LP2/C, AB/10C, cod. TUB404/M8C	2,8	60x10	110	1000
IB212A/CU1/C	cod. ISM/LP2/C, AB/10C, cod. TUB604/M8C	2,9	80x10	130	1250
IB216A/CU1/C	cod. ISM/LP2/C, AB/10C, cod. TUB804/M8C	3,2	100x10	150	1600
IB218A/CU1/C	cod. ISM/LP2/C, AB/10C, cod. TUB104/M8C	3,2	120x10	170	1800
IB220A/CU1/C	cod. ISM/LP2/C, AB/10C, cod. TUB144/M8C	3,2	160x10	210	2000

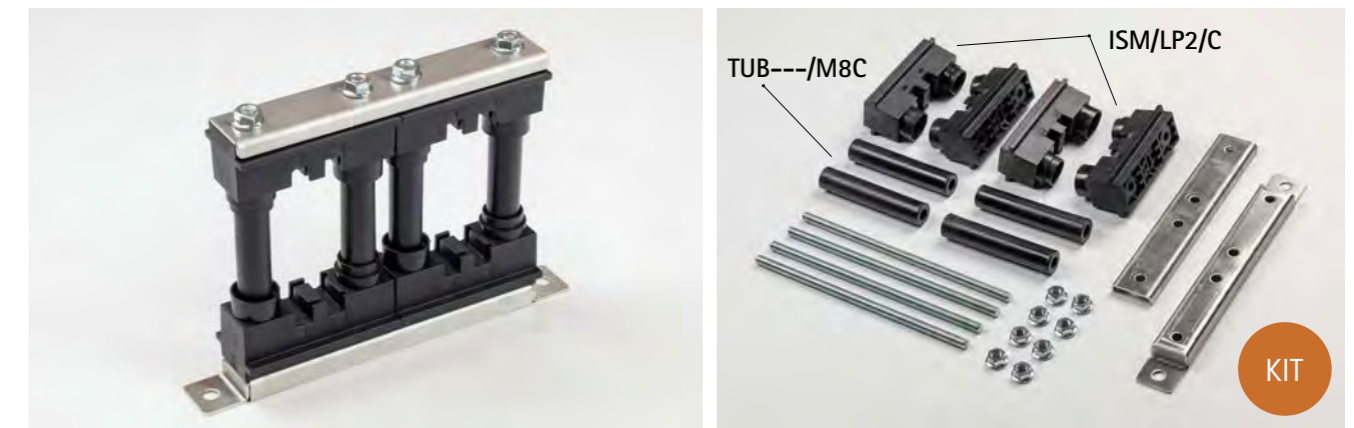
PROFILES ARRANGED SIDE BY SIDE



MAXIMUM MOUNTING DISTANCE BETWEEN BUSBAR HOLDERS							
Rating (A)	630A	800A	1000A	1250A	1600A	1800A	2000A
Max. mounting distance	lcc	lcc	lcc	lcc	lcc	lcc	lcc
1000mm	16 kA	16 kA	20 kA	20 kA	25 kA	25 kA	30 kA
950mm	16 kA	16 kA	20 kA	20 kA	25 kA	30 kA	35 kA
900mm	16 kA	16 kA	20 kA	20 kA	25 kA	30 kA	35 kA
850mm	16 kA	16 kA	20 kA	20 kA	25 kA	30 kA	35 kA
800mm	20 kA	20 kA	25 kA	25 kA	30 kA	35 kA	40 kA
750mm	25 kA	25 kA	25 kA	30 kA	35 kA	40 kA	40 kA
700mm	25 kA	25 kA	25 kA	30 kA	35 kA	45 kA	40 kA
650mm	25 kA	25 kA	25 kA	30 kA	35 kA	45 kA	45 kA
600mm	25 kA	30 kA	30 kA	35 kA	40 kA	40 kA	50 kA
550mm	25 kA	30 kA	35 kA	40 kA	45 kA	50 kA	55 kA
500mm	30 kA	35 kA	40 kA	45 kA	50 kA	55 kA	60 kA
450mm	35 kA	40 kA	45 kA	50 kA	55 kA	60 kA	70 kA
400mm	40 kA	45 kA	50 kA	55 kA	60 kA	70 kA	75 kA
350mm	45 kA	50 kA	55 kA	65 kA	70 kA	80 kA	80 kA
300mm	50 kA	60 kA	65 kA	75 kA	85 kA	85 kA	85 kA
250mm	60 kA	70 kA	75 kA	85 kA			
200mm	80 kA	85 kA	85 kA				
Code	IB263A/CU1/C	IB280A/CU1/C	IB210A/CU1/C	IB212A/CU1/C	IB216A/CU1/C	IB218A/CU1/C	IB220A/CU1/C

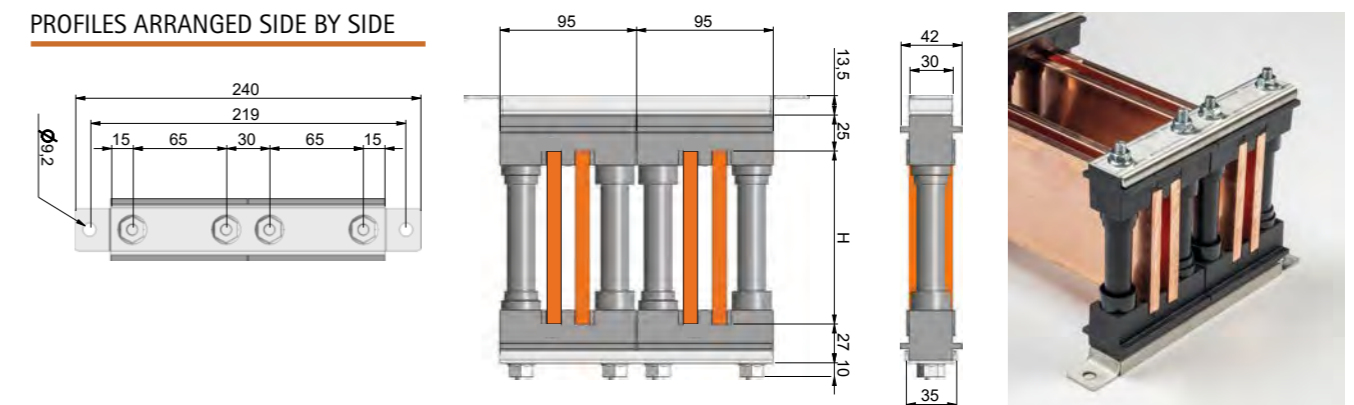
ONE-POLE BACK BUSBAR HOLDERS (DOUBLE BAR)

Single phase Back busbar holders for copper bars from 1600A up to 3600A (suitable for bars arranged side by side)



PRODUCT CODE	PACKAGE CONTENT	WEIGHT (KG)	PROFILE SIZE (HxTHK)	H (MM)	In (A)
IB216A/CU2/C	cod. ISM/LP2/C, cod. TUB304/M8C	2,7	50x10	100	1600
IB218A/CU2/C	cod. ISM/LP2/C, cod. TUB404/M8C	2,8	60x10	110	1800
IB220A/CU2/C	cod. ISM/LP2/C, cod. TUB604/M8C	2,9	80x10	130	2000
IB225A/CU2/C	cod. ISM/LP2/C, cod. TUB804/M8C	3,2	100x10	150	2500
IB230A/CU2/C	cod. ISM/LP2/C, cod. TUB104/M8C	3,2	120x10	170	3300
IB236A/CU2/C	cod. ISM/LP2/C, cod. TUB144/M8C	3,2	160x10	210	3600

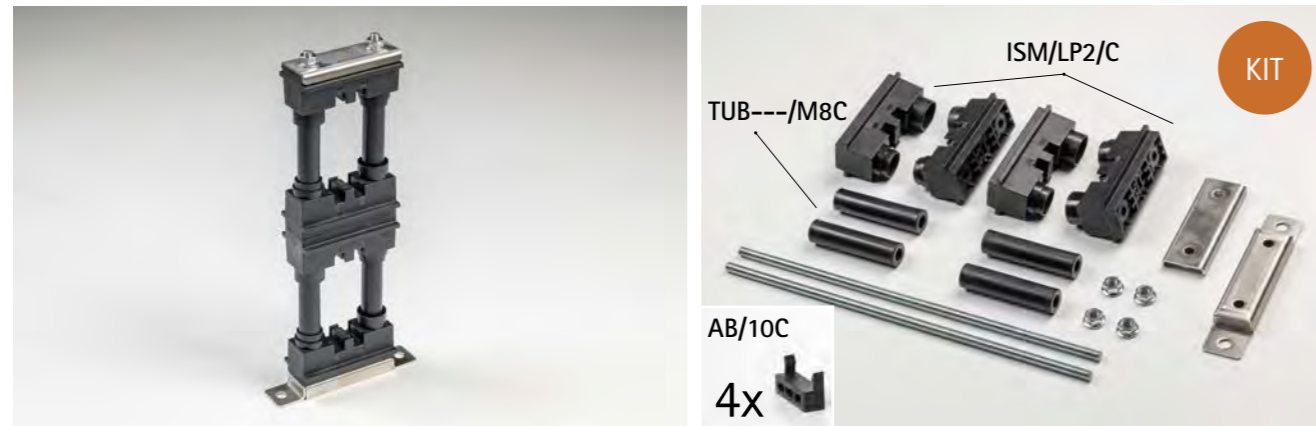
PROFILES ARRANGED SIDE BY SIDE



MAXIMUM MOUNTING DISTANCE BETWEEN BUSBAR HOLDERS						
Rating (A)	1600A	1800A	2000A	2500A	3000A	3600A
Max. mounting distance	lcc	lcc	lcc	lcc	lcc	lcc
1000mm	20 kA	20 kA	25 kA	30 kA	35 kA	40 kA
950mm	20 kA	20 kA	25 kA	30 kA	35 kA	45 kA
900mm	20 kA	20 kA	25 kA	30 kA	40 kA	45 kA
850mm	20 kA	20 kA	25 kA	35 kA	40 kA	45 kA
800mm	20 kA	25 kA	30 kA	40 kA	45 kA	50 kA
750mm	25 kA	30 kA	35 kA	40 kA	45 kA	50 kA
700mm	25 kA	30 kA	35 kA	45 kA	45 kA	50 kA
650mm	25 kA	30 kA	40 kA	45 kA	45 kA	55 kA
600mm	30 kA	35 kA	45 kA	50 kA	55 kA	60 kA
550mm	30 kA	35 kA	45 kA	55 kA	60 kA	65 kA
500mm	35 kA	40 kA	50 kA	60 kA	70 kA	70 kA
450mm	40 kA	45 kA	55 kA	65 kA	75 kA	75 kA
400mm	45 kA	50 kA	65 kA	75 kA	85 kA	95 kA
350mm	50 kA	60 kA	75 kA	85 kA	90 kA	100 kA
300mm	60 kA	70 kA	85 kA	100 kA	105 kA	105 kA
250mm	70 kA	85 kA	105 kA	105 kA		
200mm	90 kA	105 kA				
Code	IS216A/CU2/C	IS218A/CU2/C	IS220A/CU2/C	IS225A/CU2/C	IS230A/CU2/C	IS236A/CU2/C

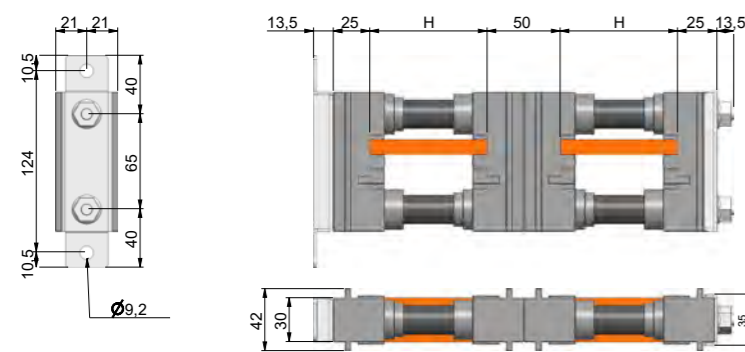
ONE-POLE BACK BUSBAR HOLDERS

Single phase Back busbar holders for copper bars from 630A up to 2000A (suitable for bars arranged one above the other)



PRODUCT CODE	PACKAGE CONTENT	WEIGHT (KG)	PROFILE SIZE (HxTHK)	H (MM)	In (A)
IB263CU1/C	cod. ISM/LP4/C, AB/10C cod. TUB220/M8C	2,6	40x10	230	630
IB280CU1/C	cod. ISM/LP4/C, AB/10C cod. TUB230/M8C	2,7	50x10	250	800
IB210CU1/C	cod. ISM/LP4/C, AB/10C cod. TUB240/M8C	2,9	60x10	270	1000
IB212CU1/C	cod. ISM/LP4/C, AB/10C cod. TUB260/M8C	3	80x10	310	1250
IB216CU1/C	cod. ISM/LP4/C, AB/10C cod. TUB280/M8C	3,2	100x10	350	1600
IB218CU1/C	cod. ISM/LP4/C, AB/10C cod. TUB210/M8C	3,4	120x10	390	1800
IB220CU1/C	cod. ISM/LP4/C, AB/10C cod. TUB214/M8C	3,6	160x10	470	2000

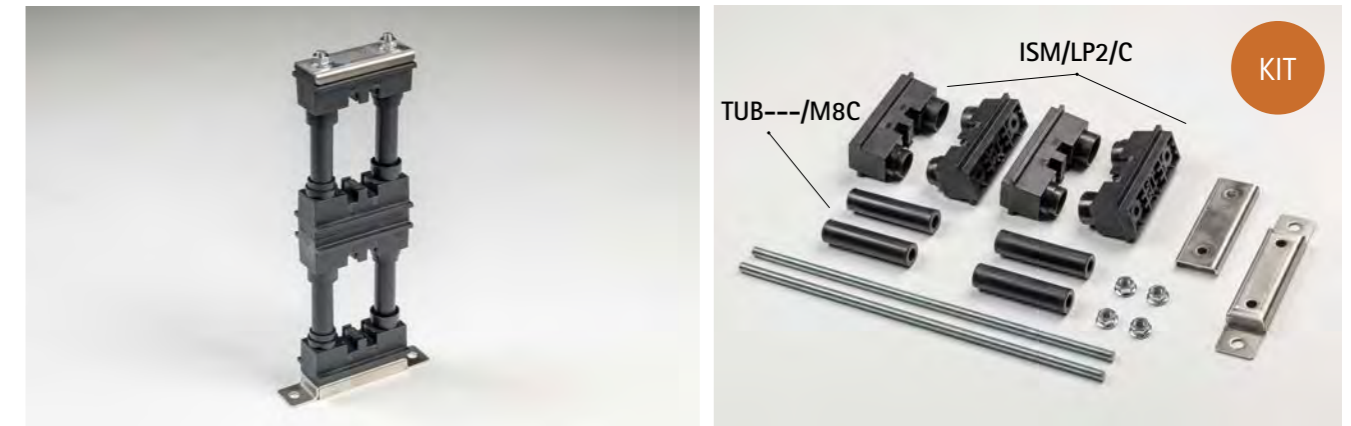
PROFILES ARRANGED ONE ABOVE THE OTHER



MAXIMUM MOUNTING DISTANCE BETWEEN BUSBAR HOLDERS							
Rating (A)	630A	800A	1000A	1250A	1600A	1800A	2000A
Max. mounting distance	lcc	lcc	lcc	lcc	lcc	lcc	lcc
1000mm	16 kA	20 kA	25 kA	30 kA	35 kA	40 kA	50 kA
950mm	20 kA	20 kA	25 kA	30 kA	35 kA	40 kA	55 kA
900mm	20 kA	20 kA	25 kA	30 kA	40 kA	45 kA	60 kA
850mm	20 kA	25 kA	25 kA	35 kA	40 kA	45 kA	60 kA
800mm	20 kA	25 kA	30 kA	35 kA	45 kA	50 kA	65 kA
750mm	20 kA	25 kA	30 kA	40 kA	45 kA	55 kA	70 kA
700mm	25 kA	30 kA	30 kA	40 kA	50 kA	60 kA	75 kA
650mm	25 kA	30 kA	35 kA	45 kA	55 kA	65 kA	80 kA
600mm	30 kA	30 kA	35 kA	50 kA	60 kA	70 kA	80 kA
550mm	30 kA	35 kA	40 kA	50 kA	65 kA	75 kA	85 kA
500mm	35 kA	40 kA	45 kA	60 kA	70 kA	80 kA	90 kA
450mm	35 kA	45 kA	50 kA	65 kA	80 kA	85 kA	95 kA
400mm	40 kA	50 kA	60 kA	75 kA	85 kA	90 kA	100 kA
350mm	50 kA	55 kA	65 kA	85 kA	95 kA	100 kA	105 kA
300mm	55 kA	65 kA	75 kA	95 kA	100 kA	105 kA	
250mm	70 kA	80 kA	95 kA	105 kA			
200mm	85 kA	100 kA	105 kA				
Code	IB263CU1/C	IB280CU1/C	IB210CU1/C	IB212CU1/C	IB216CU1/C	IB218CU1/C	IB220CU1/C

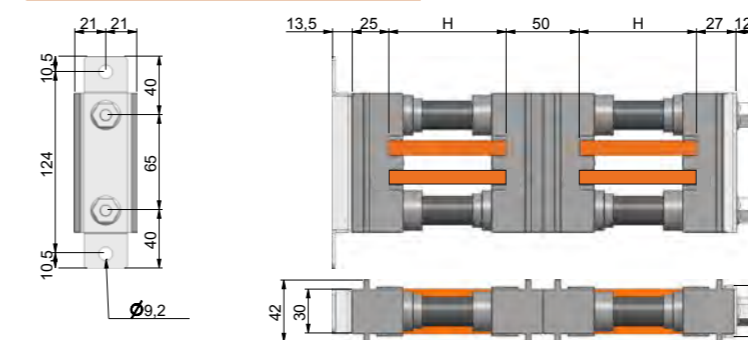
ONE-POLE BACK BUSBAR HOLDERS (DOUBLE BAR)

Single phase Back busbar holders for copper bars from 1250A up to 3600A (suitable for bars arranged one above the other)



PRODUCT CODE	PACKAGE CONTENT	WEIGHT (KG)	PROFILE SIZE (HxTHK)	H (MM)	In (A)
IB212CU2/C	cod. ISM/LP4/C cod. TUB220/M8C	4,6	40x10	230	1250
IB216CU2/C	cod. ISM/LP4/C cod. TUB230/M8C	4,7	50x10	250	1600
IB218CU2/C	cod. ISM/LP4/C cod. TUB240/M8C	4,6	60x10	270	1800
IB220CU2/C	cod. ISM/LP4/C cod. TUB260/M8C	4,7	80x10	310	2000
IB225CU2/C	cod. ISM/LP4/C cod. TUB280/M8C	4,7	100x10	350	2500
IB2430CU2/C	cod. ISM/LP4/C cod. TUB210/M8C	4,6	120x10	390	3000
IB236CU2/C	cod. ISM/LP4/C cod. TUB214/M8C	5	160x10	470	3600

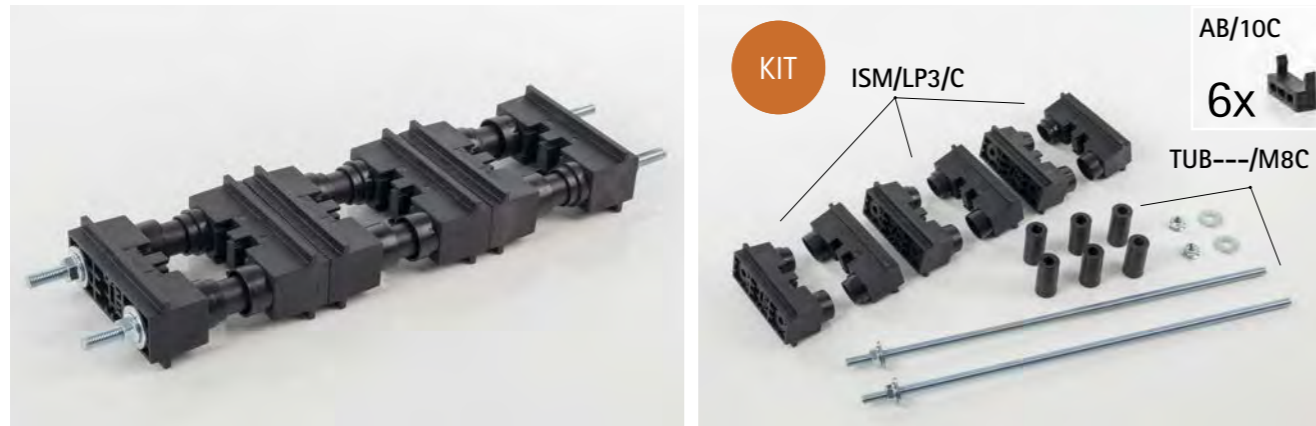
PROFILES ARRANGED ONE ABOVE THE OTHER



MAXIMUM MOUNTING DISTANCE BETWEEN BUSBAR HOLDERS							
Rating (A)	1250A	1600A	1800A	2000A	2500A	3000A	3600A
Max. mounting distance	lcc	lcc	lcc	lcc	lcc	lcc	lcc
1000mm	16 kA	20 kA	25 kA	30 kA	35 kA	40 kA	50 kA
950mm	20 kA	20 kA	25 kA	30 kA	35 kA	40 kA	55 kA
900mm	20 kA	20 kA	25 kA	30 kA	40 kA	45 kA	60 kA
850mm	20 kA	25 kA	25 kA	35 kA	40 kA	45 kA	60 kA
800mm	20 kA	25 kA	30 kA	35 kA	45 kA	50 kA	65 kA
750mm	20 kA	25 kA	30 kA	40 kA	45 kA	55 kA	70 kA
700mm	25 kA	30 kA	30 kA	40 kA	50 kA	60 kA	75 kA
650mm	25 kA	30 kA	35 kA	45 kA	55 kA	65 kA	80 kA
600mm	30 kA	30 kA	35 kA	50 kA	60 kA	70 kA	80 kA
550mm	30 kA	35 kA	40 kA	50 kA	65 kA	75 kA	85 kA
500mm	35 kA	40 kA	45 kA	60 kA	70 kA	80 kA	90 kA
450mm	35 kA	45 kA	50 kA	65 kA	80 kA	85 kA	95 kA
400mm	40 kA	50 kA	60 kA	75 kA	85 kA	90 kA	100 kA
350mm	50 kA	55 kA	65 kA	85 kA	95 kA	100 kA	105 kA
300mm	55 kA	65 kA	75 kA	95 kA	100 kA	105 kA	
250mm	70 kA	80 kA	95 kA	105 kA			
200mm	85 kA	100 kA	105 kA				
Code	IB212CU2/C	IB216CU2/C	IB218CU2/C	IB220CU2/C	IB225CU2/C	IB230CU2/C	IB236CU2/C

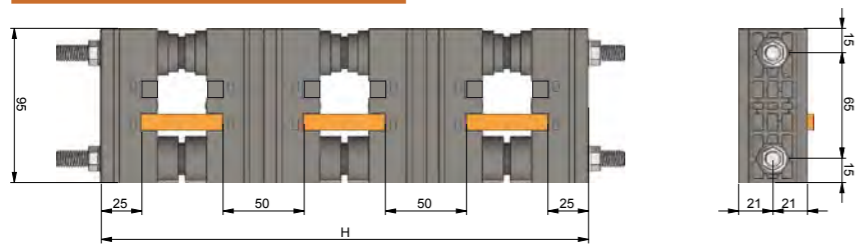
THREE-POLE VERTICAL/HORIZONTAL BACK BUSBAR HOLDERS

Three-pole vertical/horizontal rear busbar holders for copper bars from 630A up to 2000A



PRODUCT CODE	PACKAGE CONTENT	WEIGHT (KG)	PROFILE SIZE (HxTHK)	H (MM)	In (A)
IB363CU1/C	cod. ISM/LP3/C, AB/10C, cod. TUB320/M8C	3,4	40x10	270	630
IB380CU1/C	cod. ISM/LP3/C, AB/10C, cod. TUB330/M8C	3,4	50x10	300	800
IB310CU1/C	cod. ISM/LP3/C, AB/10C, cod. TUB340/M8C	3,5	60x10	330	1000
IB312CU1/C	cod. ISM/LP3/C, AB/10C, cod. TUB360/M8C	3,6	80x10	390	1250
IB316CU1/C	cod. ISM/LP3/C, AB/10C, cod. TUB380/M8C	3,7	100x10	450	1600
IB318CU1/C	cod. ISM/LP3/C, AB/10C, cod. TUB3100/M8C	3,7	120x10	510	1800
IB320CU1/C	cod. ISM/LP3/C, AB/10C, cod. TUB3140/M8C	3,7	160x10	630	2000

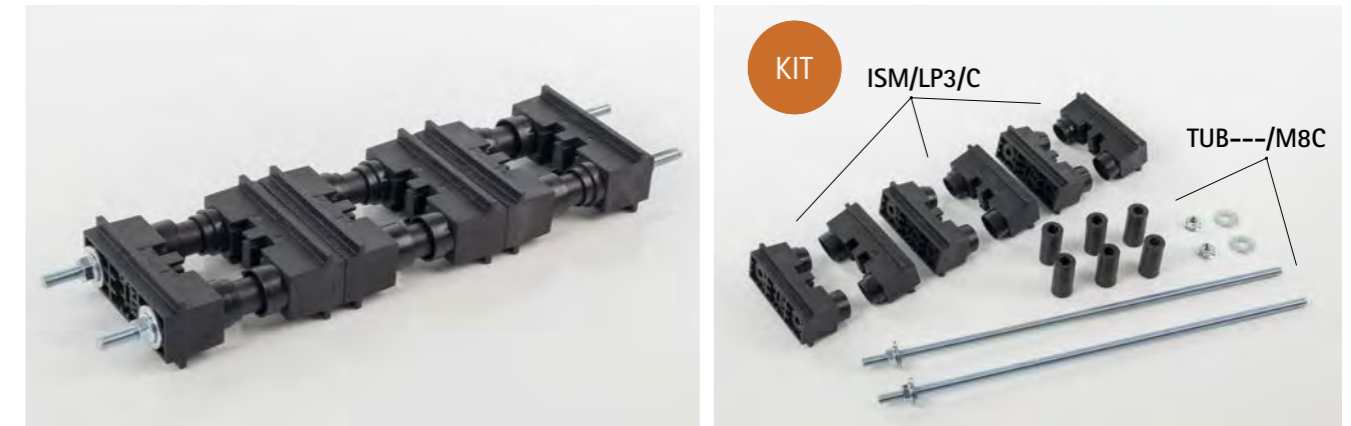
BARS ARRANGED VERTICALLY



MAXIMUM MOUNTING DISTANCE BETWEEN BUSBAR HOLDERS							
Rating (A)	630A	800A	1000A	1250A	1600A	1800A	2000A
Max. mounting distance	lcc	lcc	lcc	lcc	lcc	lcc	lcc
1000mm	16 kA	20 kA	25 kA	30 kA	35 kA	40 kA	50 kA
950mm	20 kA	20 kA	25 kA	30 kA	35 kA	40 kA	55 kA
900mm	20 kA	20 kA	25 kA	30 kA	40 kA	45 kA	60 kA
850mm	20 kA	25 kA	25 kA	35 kA	40 kA	45 kA	60 kA
800mm	20 kA	25 kA	30 kA	35 kA	45 kA	50 kA	65 kA
750mm	20 kA	25 kA	30 kA	40 kA	45 kA	55 kA	70 kA
700mm	25 kA	30 kA	30 kA	40 kA	50 kA	60 kA	75 kA
650mm	25 kA	30 kA	35 kA	45 kA	55 kA	65 kA	80 kA
600mm	30 kA	30 kA	35 kA	50 kA	60 kA	70 kA	80 kA
550mm	30 kA	35 kA	40 kA	50 kA	65 kA	75 kA	85 kA
500mm	35 kA	40 kA	45 kA	60 kA	70 kA	80 kA	90 kA
450mm	35 kA	45 kA	50 kA	65 kA	80 kA	85 kA	95 kA
400mm	40 kA	50 kA	60 kA	75 kA	85 kA	90 kA	100 kA
350mm	50 kA	55 kA	65 kA	85 kA	95 kA	100 kA	105 kA
300mm	55 kA	65 kA	75 kA	95 kA	100 kA	105 kA	
250mm	70 kA	80 kA	95 kA	105 kA			
200mm	85 kA	100 kA	105 kA				
Code	IB363CU1/C	IB380CU1/C	IB310CU1/C	IB312CU1/C	IB316CU1/C	IB318CU1/C	IB320CU1/C

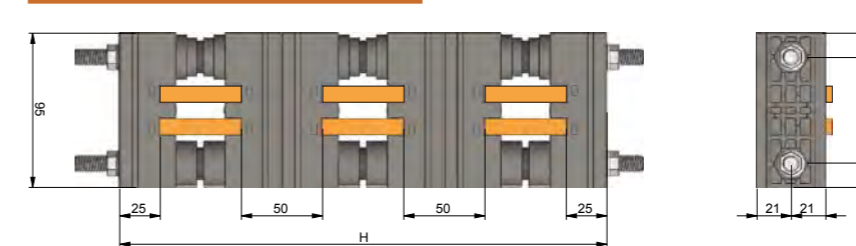
THREE-POLE VERTICAL/HORIZONTAL BACK BUSBAR HOLDERS (DOUBLE BAR PER PHASE)

Three-pole vertical/horizontal rear busbar holders for copper bars from 1250A up to 3600A



PRODUCT CODE	PACKAGE CONTENT	WEIGHT (KG)	PROFILE SIZE (HxTHK)	H (MM)	In (A)
IB312CU2/C	cod. ISM/LP3/C, cod. TUB320/M8C	3,5	40x10	270	1250
IB316CU2/C	cod. ISM/LP3/C, cod. TUB330/M8C	3,5	50x10	300	1600
IB318CU2/C	cod. ISM/LP3/C, cod. TUB340/M8C	3,5	60x10	330	1800
IB320CU2/C	cod. ISM/LP3/C, cod. TUB360/M8C	3,6	80x10	390	2000
IB325CU2/C	cod. ISM/LP3/C, cod. TUB380/M8C	3,7	100x10	450	2500
IB330CU2/C	cod. ISM/LP3/C, cod. TUB300/M8C	3,8	120x10	510	3300
IB336CU2/C	cod. ISM/LP3/C, cod. TUB3140/M8C	4	160x10	630	3600

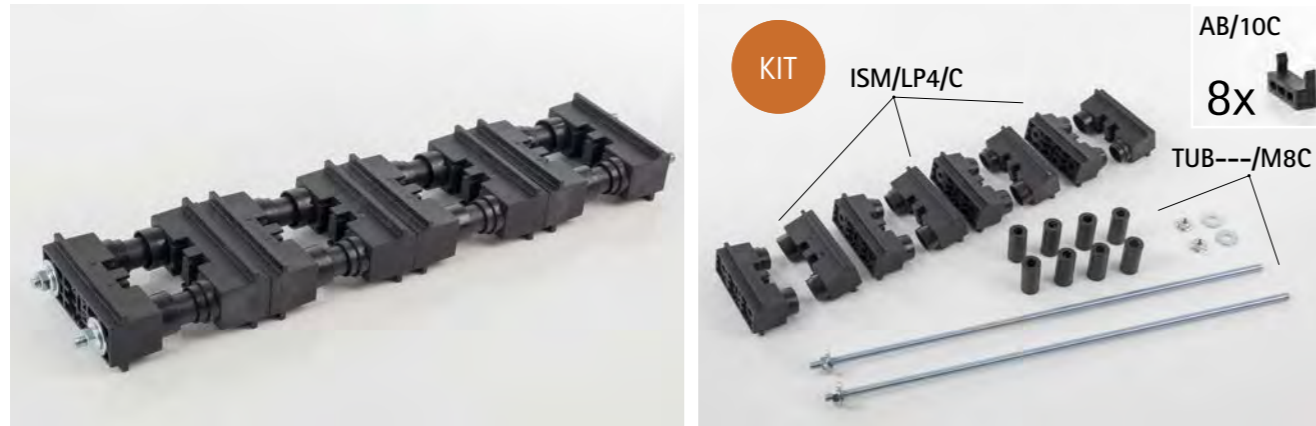
BARS ARRANGED VERTICALLY



MAXIMUM MOUNTING DISTANCE BETWEEN BUSBAR HOLDERS							
Rating (A)	1250A	1600A	1800A	2000A	2500A	3000A	3600A
Max. mounting distance	lcc	lcc	lcc	lcc	lcc	lcc	lcc
1000mm	16 kA	20 kA	25 kA	30 kA	35 kA	40 kA	50 kA
950mm	20 kA	20 kA	25 kA	30 kA	35 kA	40 kA	55 kA
900mm	20 kA	20 kA	25 kA	30 kA	40 kA	45 kA	60 kA
850mm	20 kA	25 kA	25 kA	35 kA	40 kA	45 kA	60 kA
800mm	20 kA	25 kA	30 kA	35 kA	45 kA	50 kA	65 kA
750mm	20 kA	25 kA	30 kA	40 kA	45 kA	55 kA	70 kA
700mm	25 kA	30 kA	30 kA	40 kA	50 kA	60 kA	75 kA
650mm	25 kA	30 kA	35 kA	45 kA	55 kA	65 kA	80 kA
600mm	30 kA	30 kA	35 kA	50 kA	60 kA	70 kA	80 kA
550mm	30 kA	35 kA	40 kA	50 kA	65 kA	75 kA	85 kA
500mm	35 kA	40 kA	45 kA	60 kA	70 kA	80 kA	90 kA
450mm	35 kA	45 kA	50 kA	65 kA	80 kA	85 kA	95 kA
400mm	40 kA	50 kA	60 kA	75 kA	85 kA	90 kA	100 kA
350mm	50 kA	55 kA	65 kA	85 kA	95 kA	100 kA	105 kA
300mm	55 kA	65 kA	75 kA	95 kA	100 kA	105 kA	
250mm	70 kA	80 kA	95 kA	105 kA			
200mm	85 kA	100 kA	105 kA				
Code	IB312CU2/C	IB316CU2/C	IB318CU2/C	IB320CU2/C	IB325CU2/C	IB330CU2/C	IB336CU2/C

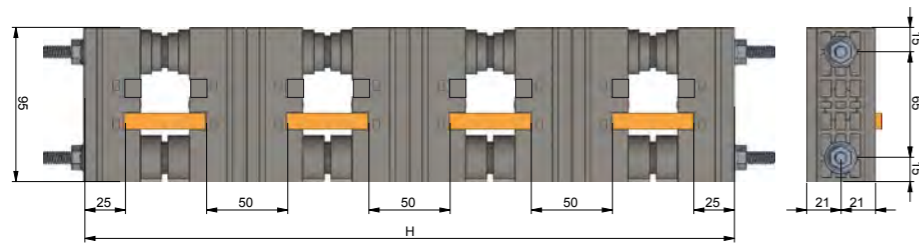
FOUR-POLE VERTICAL/HORIZONTAL BACK BUSBAR HOLDERS

Four-pole vertical/horizontal rear busbar holders for copper bars from 630A up to 2000A



PRODUCT CODE	PACKAGE CONTENT	WEIGHT (KG)	PROFILE SIZE (HxTHK)	H (MM)	In (A)
IB463CU1/C	cod. ISM/LP4/C cod. TUB420/M8C	4,4	40x10	270	630
IB480CU1/C	cod. ISM/LP4/C cod. TUB430/M8C	4,3	50x10	300	800
IB410CU1/C	cod. ISM/LP4/C cod. TUB440/M8C	4,6	60x10	330	1000
IB412CU1/C	cod. ISM/LP4/C cod. TUB460/M8C	4,7	80x10	390	1250
IB416CU1/C	cod. ISM/LP4/C cod. TUB480/M8C	4,8	100x10	450	1600
IB418CU1/C	cod. ISM/LP4/C cod. TUB3100/M8C	4,7	120x10	510	1800
IB420CU1/C	cod. ISM/LP4/C cod. TUB3140/M8C	4,8	160x10	630	2000

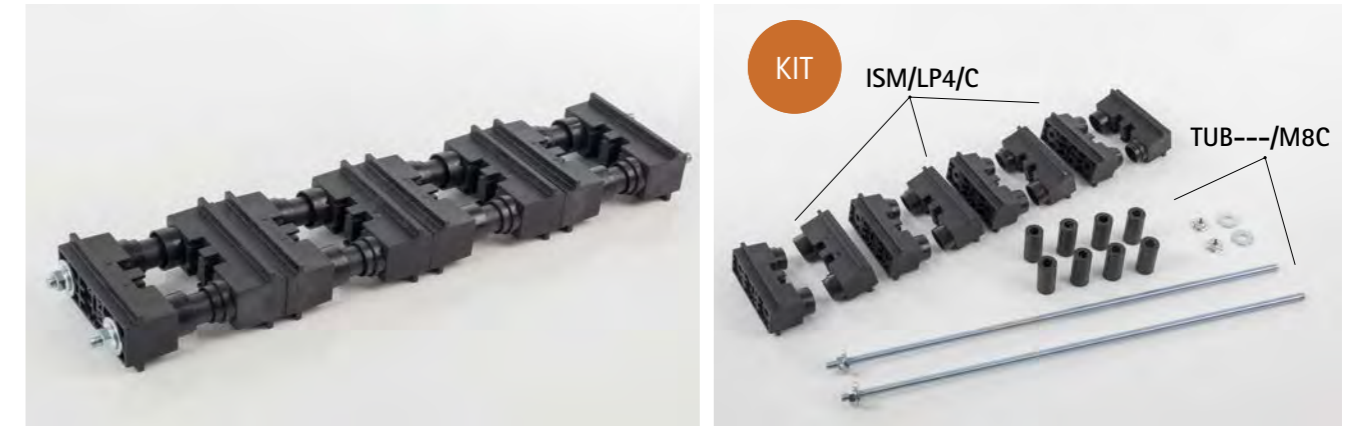
BARS ARRANGED VERTICALLY



MAXIMUM MOUNTING DISTANCE BETWEEN BUSBAR HOLDERS							
Rating (A)	630A	800A	1000A	1250A	1600A	1800A	2000A
Max. mounting distance	lcc	lcc	lcc	lcc	lcc	lcc	lcc
1000mm	16 kA	20 kA	25 kA	30 kA	35 kA	40 kA	50 kA
950mm	20 kA	20 kA	25 kA	30 kA	35 kA	40 kA	55 kA
900mm	20 kA	20 kA	25 kA	30 kA	40 kA	45 kA	60 kA
850mm	20 kA	25 kA	25 kA	35 kA	40 kA	45 kA	60 kA
800mm	20 kA	25 kA	30 kA	35 kA	45 kA	50 kA	65 kA
750mm	20 kA	25 kA	30 kA	40 kA	45 kA	55 kA	70 kA
700mm	25 kA	30 kA	30 kA	40 kA	50 kA	60 kA	75 kA
650mm	25 kA	30 kA	35 kA	45 kA	55 kA	65 kA	80 kA
600mm	30 kA	30 kA	35 kA	50 kA	60 kA	70 kA	80 kA
550mm	30 kA	35 kA	40 kA	50 kA	65 kA	75 kA	85 kA
500mm	35 kA	40 kA	45 kA	60 kA	70 kA	80 kA	90 kA
450mm	35 kA	45 kA	50 kA	65 kA	80 kA	85 kA	95 kA
400mm	40 kA	50 kA	60 kA	75 kA	85 kA	90 kA	100 kA
350mm	50 kA	55 kA	65 kA	85 kA	95 kA	100 kA	105 kA
300mm	55 kA	65 kA	75 kA	95 kA	100 kA	105 kA	
250mm	70 kA	80 kA	95 kA	105 kA			
200mm	85 kA	100 kA	105 kA				
Code	IB463CU1/C	IB480CU1/C	IB410CU1/C	IB412CU1/C	IB416CU1/C	IB418CU1/C	IB420CU1/C

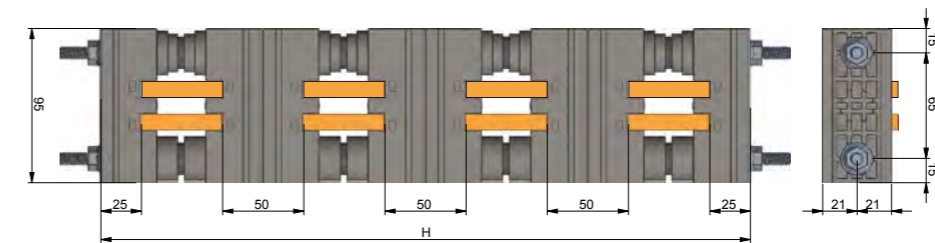
FOUR-POLE VERTICAL/HORIZONTAL BACK BUSBAR HOLDERS (DOUBLE BAR PER PHASE)

Four-pole vertical/horizontal rear busbar holders for copper bars from 1250A up to 3600A



PRODUCT CODE	PACKAGE CONTENT	WEIGHT (KG)	PROFILE SIZE (HxTHK)	H (MM)	In (A)
IB412CU2/C	cod. ISM/LP4/C cod. TUB420/M8C	4,6	40x10	270	1250
IB416CU2/C	cod. ISM/LP4/C cod. TUB430/M8C	4,7	50x10	300	1600
IB418CU2/C	cod. ISM/LP4/C cod. TUB440/M8C	4,6	60x10	330	1800
IB420CU2/C	cod. ISM/LP4/C cod. TUB460/M8C	4,7	80x10	390	2000
IB425CU2/C	cod. ISM/LP4/C cod. TUB480/M8C	4,7	100x10	450	2500
IB430CU2/C	cod. ISM/LP4/C cod. TUB3100/M8C	4,6	120x10	510	3000
IB436CU2/C	cod. ISM/LP4/C cod. TUB3140/M8C	5	160x10	630	3600

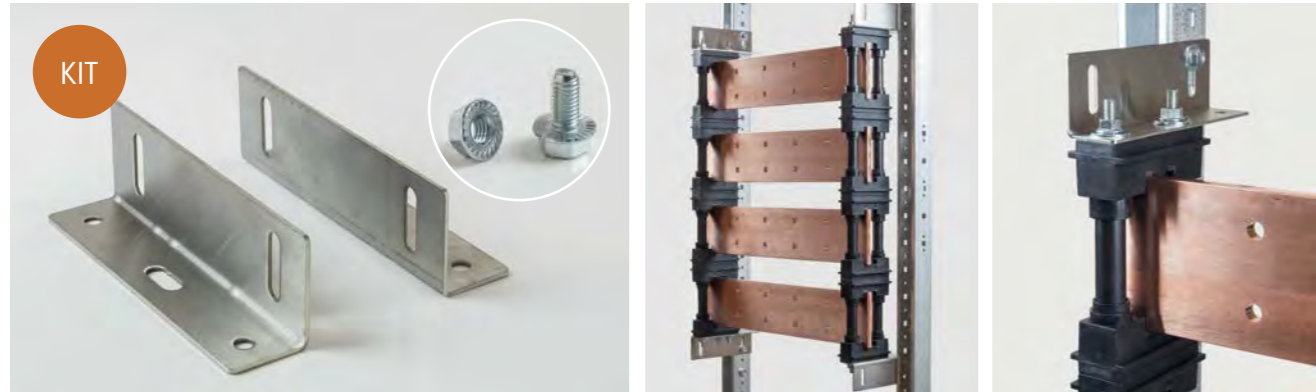
BARS ARRANGED VERTICALLY



MAXIMUM MOUNTING DISTANCE BETWEEN BUSBAR HOLDERS							
Rating (A)	1250A	1600A	1800A	2000A	2500A	3000A	3600A
Max. mounting distance	lcc	lcc	lcc	lcc	lcc	lcc	lcc
1000mm	16 kA	20 kA	25 kA	30 kA	35 kA	40 kA	50 kA
950mm	20 kA	20 kA	25 kA	30 kA	35 kA	40 kA	55 kA
900mm	20 kA	20 kA	25 kA	30 kA	40 kA	45 kA	60 kA
850mm	20 kA	25 kA	25 kA	35 kA	40 kA	45 kA	60 kA
800mm	20 kA	25 kA	30 kA	35 kA	45 kA	50 kA	65 kA
750mm	20 kA	25 kA	30 kA	40 kA	45 kA	55 kA	70 kA
700mm	25 kA	30 kA	30 kA	40 kA	50 kA	60 kA	75 kA
650mm	25 kA	30 kA	35 kA	45 kA	55 kA	65 kA	80 kA
600mm	30 kA	30 kA	35 kA	50 kA	60 kA	70 kA	80 kA
550mm	30 kA	35 kA	40 kA	50 kA	65 kA	75 kA	85 kA
500mm	35 kA	40 kA	45 kA	60 kA	70 kA	80 kA	90 kA
450mm	35 kA	45 kA	50 kA	65 kA	80 kA	85 kA	95 kA
400mm	40 kA	50 kA	60 kA	75 kA	85 kA	90 kA	100 kA
350mm	50 kA	55 kA	65 kA	85 kA	95 kA	100 kA	105 kA
300mm	55 kA	65 kA	75 kA	95 kA	100 kA	105 kA	
250mm	70 kA	80 kA	95 kA	105 kA			
200mm	85 kA	100 kA	105 kA				
Code	IB412CU2/C	IB416CU2/C	IB418CU2/C	IB420CU2/C	IB425CU2/C	IB430CU2/C	IB436CU2/C

BRACKETS FOR HORIZONTAL BACK BUSBAR HOLDERS

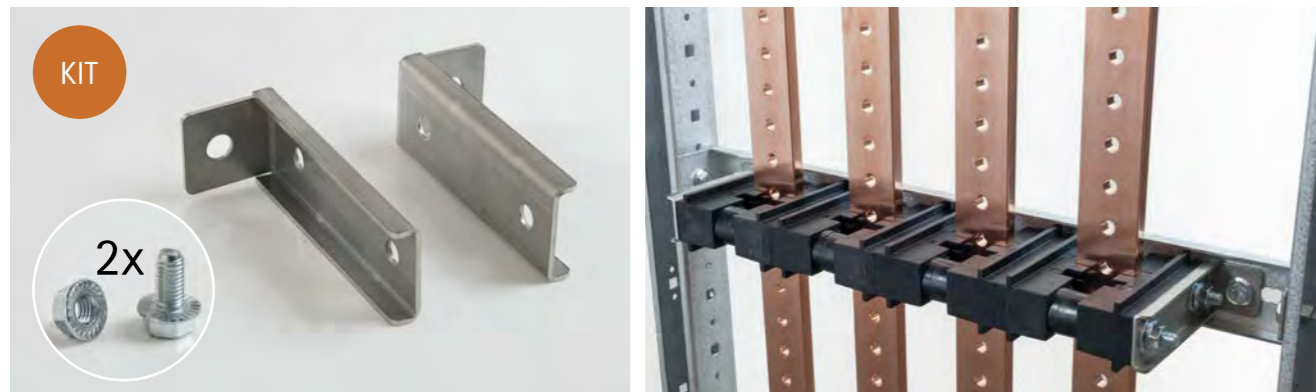
Stainless steel brackets for Back busbar holders (suitable for bars arranged horizontally)



PRODUCT CODE	PACKAGE CONTENT	WEIGHT (KG)
SHLB/C	4 brackets + 4 screws/nuts	0,8

BRACKETS FOR VERTICAL BACK BUSBAR HOLDERS

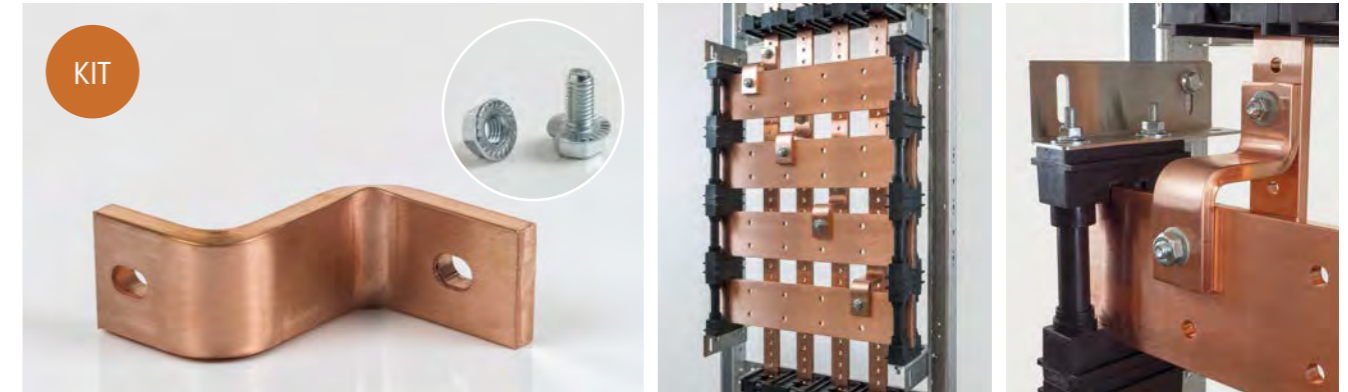
Stainless steel brackets for Back busbar holders (suitable for bars arranged vertically)



PRODUCT CODE	PACKAGE CONTENT	WEIGHT (KG)
SVLB/C	6 brackets + 6 screws/nuts	0,65

COPPER JOINTS FOR BACK BUSBAR SYSTEM

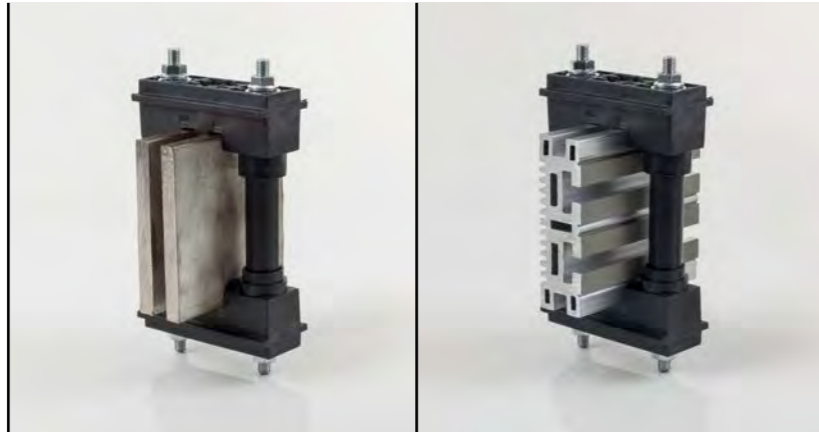
Copper joints for the connection between three-pole and four-pole Back busbar systems (suitable for bars arranged horizontally or vertically)



PRODUCT CODE	PACKAGE CONTENT	WEIGHT (KG)	N.POLES	IN (A)	COPPER CROSS SECTION	DIM. (H1xP2xH2)
GOP83/C	3 brackets + 6 screws/nuts	1,35	3	from 630A up to 800A	50x10	70x80x50
GOP84/C	4 brackets + 8 screws/nuts	1,8	4	from 630A up to 800A	50x10	70x80x50
GOP103/C	3 brackets + 6 screws/nuts	1,44	3	1000A	60x10	70x80x50
GOP104/C	4 brackets + 8 screws/nuts	1,9	4	1000A	60x10	70x80x50

MODULAR BUSBAR HOLDERS UP TO 4000A ALUBAR/ SMART-ENERGY PLUS

Adjustable busbar holders that can be ranged in rows
mainly used for the connection of trunking systems terminal elements or special busbar systems

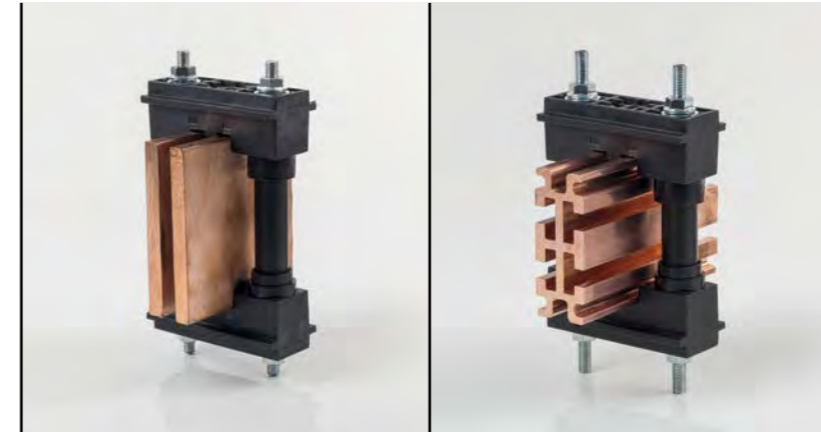


MAXIMUM MOUNTING DISTANCE BETWEEN BUSBAR HOLDERS

BUSBAR HOLDER CODE	ALUMINIUM BAR			SMART ENERGY PLUS			IN (A)
	BAR SIZE (HxTHK)	SINGLE BAR PER PHASE IN (A)	DOUBLE BAR PER PHASE IN (A)	BAR SIZE (HxTHK)	PRODUCT CODE	IN (A)	
ISK50/C	50x10	500A	630A	50x30	BA6P	630A 800A 1000A	
ISK60/C	60x10	800A	1400A	60x30	BA12P	1250A	
ISK80/C	80x10	1000A	1800A	80x30	BA16P	1600A	
ISK100/C	100x10	1200A	2000A	100x30	BA20P	2000A	
ISK120/C	120x10	1250A	2500A	120x30	BA25P	2500A	
ISK150/C	-	-	-	150x30	BA32P	3200A	
ISK160/C	160x10	1800A	3000A	-	-	-	
ISK180/C	-	-	-	180x30	BA40P	4000A	
ISK200/C	200x10	-	-	-	-	-	

MODULAR BUSBAR HOLDERS UP TO 4000A FLAT COPPER BARS/ SMART-ENERGY COPPER

Adjustable busbar holders that can be ranged in rows
mainly used for the connection of trunking systems terminal elements or special busbar systems



MAXIMUM MOUNTING DISTANCE BETWEEN BUSBAR HOLDERS

BUSBAR HOLDER CODE	FLAT COPPER BAR			SMART ENERGY COPPER			IN (A)
	BAR SIZE (HxTHK)	SINGLE BAR PER PHASE IN (A)	DOUBLE BAR PER PHASE IN (A)	BAR SIZE (HxTHK)	PRODUCT CODE	IN (A)	
ISK40/C	40x10	630A	-	40x30	BR16P BR8P	800A 1600A	
ISK50/C	50x10	800A	-	50x30	BR12P BR16P	1250A 1600A	
ISK60/C	60x10	1000A	1800A	60x30	-	-	
ISK80/C	80x10	1250A	2000A	80x30	BR20P	2000A	
ISK100/C	100x10	1600A	2500A	100x30	BR25P	2500A	
ISK120/C	120x10	-	3300A	120x30	BR32P	3200A	
ISK150/C	-	-	-	150x30	BR40P	4000A	
ISK160/C	160x10	-	3600A	-	-	-	
ISK200/C	200x10	-	4000A	-	-	-	

LINEAR BUSBAR HOLDERS

LINEAR BUSBAR HOLDERS



BRACKETS FOR MODULAR BUSBAR HOLDERS

Stainless steel brackets for modular busbar holders



PRODUCT CODE	PACKAGE CONTENT	WEIGHT (KG)
SSLB2/C	1 upper bracket and 1 lower bracket	0,7

COPPER BARS



Electrolytic copper bars for applications up to 4000A. Bars available in different cross-sections and thicknesses (ranging from 5 mm to 10 mm) with a maximum length of 2000 mm.

ADVANTAGES

- High speed of assembly
- Versatile design for a wide range of applications
- High-strength solution

TECHNICAL SPECIFICATIONS

- Glass-fiber reinforced polyamide 6/6
- Compliance with UL 94-V0 self-extinguishing requirements
- Continuous operating temperature: 113 °C
- Glow wire test: 965 °C
- Colour: Black

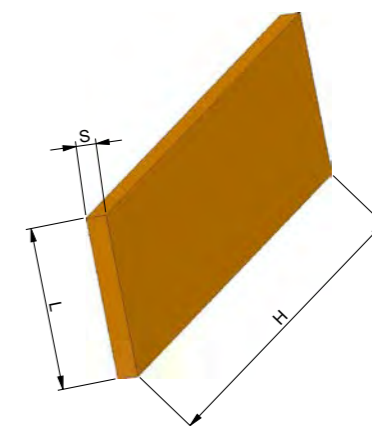
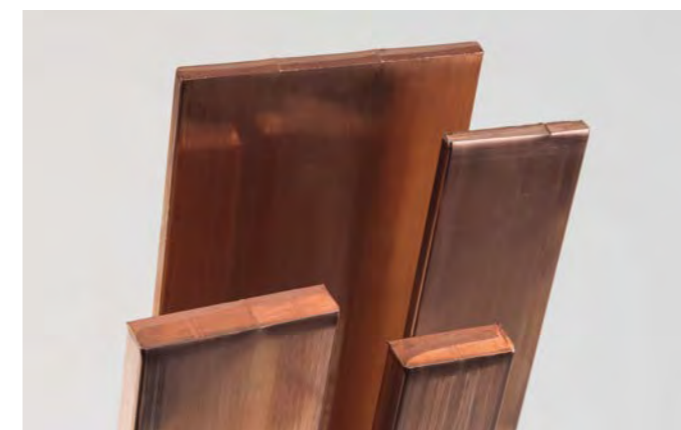


CERTIFICATIONS

B8020496	Verification of the short-circuit withstand of the main circuits	Inom=6300 A Icc=105 kA
-----------------	--	---------------------------

FLAT COPPER BARS

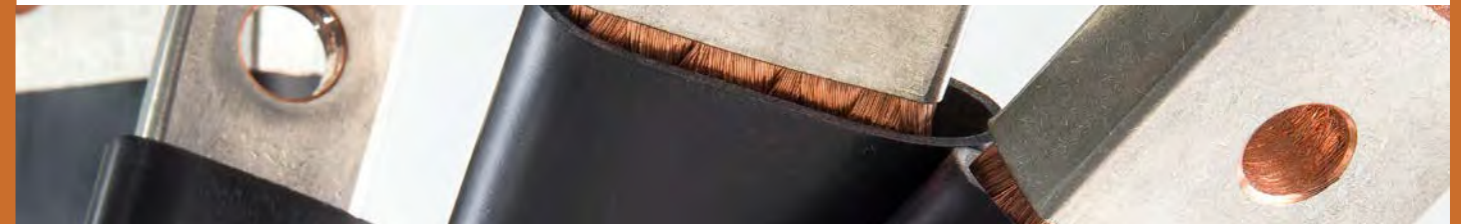
2000 mm long flat copper bars



PRODUCT CODE	PACKAGE CONTENT	WEIGHT (KG)	L - LENGTH (MM)	S - THICKNESS (MM)	H - HEIGHT (MM)	CROSS-SECTION (MM ²)
CU/20520	1	1,8	20	5	2000	100
CU/40520	1	3,6	40	5	2000	200
CU/50520	1	4,5	50	5	2000	250
CU/60520	1	5,4	60	5	2000	300
CU/100520	1	8,9	100	5	2000	500
CU/40620	1	4,3	40	6	2000	240
CU/30820	1	4,3	30	8	2000	240
CU/40820	1	5,7	40	8	2000	320
CU/50820	1	7,1	50	8	2000	400
CU/301020	1	5,4	30	10	2000	300
CU/401020	1	7,2	40	10	2000	400
CU/501020	1	8,9	50	10	2000	500
CU/601020	1	10,7	60	10	2000	600
CU/801020	1	14,3	80	10	2000	800
CU/1001020	1	17,8	100	10	2000	1000
CU/1201020	1	23,8	120	10	2000	1200
CU/1601020	1	28,5	160	10	2000	1600
CU/2001020	1	35,6	200	10	2000	2000

BAR SIZE	^T30°C				^T50°C			
	BAR	BAR	BAR	BAR	BAR	BAR	BAR	BAR
20x5	274	500	690	/	363	663	914	/
40x5	482	836	1090	/	639	1108	1444	/
50x5	583	994	1260	1411	772	1317	1670	1870
60x5	688	1150	1440	1613	912	1524	1908	2137
100x5	1080	1730	2050	2296	1431	2292	2716	3042
40x6	533	924	1219	/	704	1220	1608	/
30x8	499	852	1068	/	659	1125	1409	/
40x8	628	1034	1258	/	828	1365	1660	/
50x8	752	1208	1427	/	993	1594	1884	/
30x10	573	986	1289	/	756	1300	1701	/
40x10	715	1230	1609	/	944	1624	2124	/
50x10	852	1510	2040	/	1129	2001	2703	/
60x10	985	1720	2300	/	1305	2279	3048	/
80x10	1240	2110	2790	/	1643	2796	3697	/
100x10	1490	2480	3260	/	1974	3286	4320	/
120x10	1740	2860	3740	/	2306	3790	4956	/
160x10	2220	3590	4680	/	2942	4757	6201	/
200x10	2690	4310	5610	/	3564	5711	7433	/

CONDUCTORS



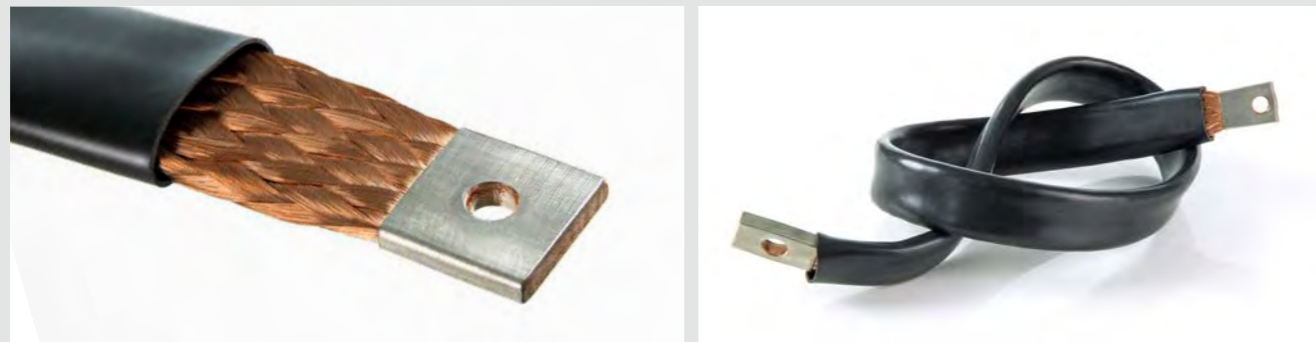
Alcu[®]
SYSTEM

SUPER FLEX INSULATED COPPER BRAIDS FOR CONNECTIONS UP TO 630A



PVC sheathed flat copper braids equipped with tin-plated copper terminals suitable for connections ranging from 160A up to 630A. Available in different lengths, "Super Flex" conductors are compatible with all molded case circuit breakers of the major brands available on the market.

CONDUCTORS



ADVANTAGES

- Wide variety of bending and twisting possibilities
- Quick and easy to install
- High electrical insulation properties
- Maximum short circuit withstanding

TECHNICAL SPECIFICATIONS

- Operating temperature -70°C +135°C
- Black PVC sheath
- Nominal voltage 1000 VAC/1500 VDC
- Dielectric Strength: 22 kV/mm
- Thermal shock: UL 224
- Cold bend test: UL 224
- Tensile strength 10,4 MPa Min
- Elongation at break 200% Min

INSULATING SHEATH

- Flammability Rating: UL 94-V0
- Maximum operating temperature: 105° C
- Class: F:V0
- Colour: Black
- Thickness: 1,8 ÷ 2 mm

COPPER CONDUCTOR

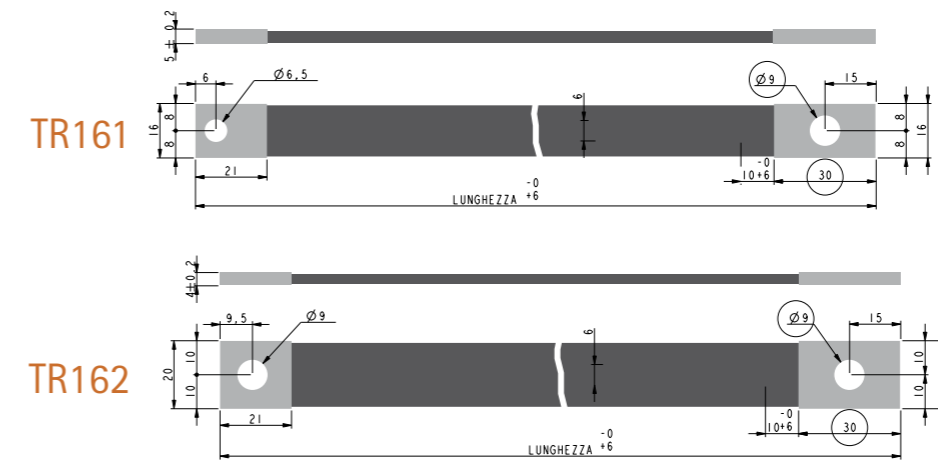
- Maximum operating voltage: 1000 V CA – 1500 V DC
- Intensity: from 160A up to 630A
- Electrolytic copper Cu-EPT 99,90%
- Wire diameter 0,20 mm
- Tin-plated copper terminals

"SUPER FLEX" BRAIDED CONDUCTOR

- Flexible copper conductor suitable for applications from 125A up to 160A

SUPER FLEX INSULATED BRAIDED CONDUCTORS FROM 125A UP TO 160A

Flat insulated copper braids suitable for applications from 125A up to 160A



PRODUCT CODE	PACKAGE CONTENT	WEIGHT (KG)	Ø WIRE	LENGTH (MM)	WIDTH (MM)	THICKNESS (MM)
TR161/430	1	0,2	0,20	430	16	5
TR161/530	1	0,25	0,20	530	16	5
TR161/580	1	0,27	0,20	580	16	5
TR161/630	1	0,3	0,20	630	16	5
TR161/680	1	0,32	0,20	680	16	5
TR161/750	1	0,36	0,20	750	16	5
TR162/250	1	0,12	0,20	250	20	4
TR162/300	1	0,14	0,20	300	20	4
TR162/350	1	0,17	0,20	350	20	4
TR162/400	1	0,19	0,20	400	20	4
TR162/450	1	0,21	0,20	450	20	4
TR162/500	1	0,24	0,20	500	20	4
TR162/550	1	0,26	0,20	550	20	4
TR162/600	1	0,29	0,20	600	20	4
TR162/650	1	0,31	0,20	650	20	4
TR162/700	1	0,33	0,20	700	20	4
TR162/750	1	0,36	0,20	750	20	4
TR162/800	1	0,36	0,20	800	20	4
TR162/850	1	0,40	0,20	850	20	4
TR162/900	1	0,42	0,20	900	20	4

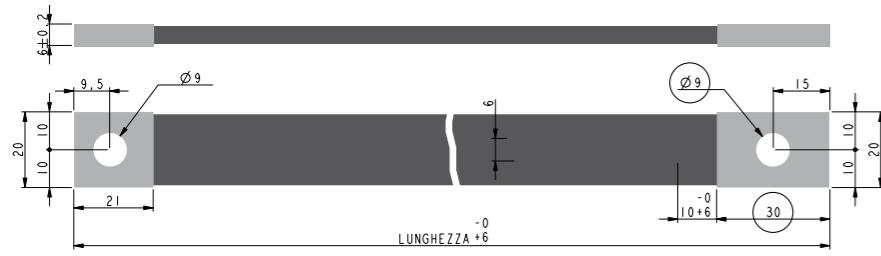
CIRCUIT BREAKER COMPATIBILITY

Code	ABB circuit breakers	BITICINO circuit breakers	SCHNEIDER circuit breakers	SIEMENS circuit breakers	AEG circuit breakers	In (A)
TR161/430	xT1 - T1	M1	-	-	-	160
TR161/530	xT1 - T1	M1	-	-	-	160
TR161/580	xT1 - T1	M1	-	-	-	160
TR161/630	xT1 - T1	M1	-	-	-	160
TR161/680	xT1 - T1	M1	-	-	-	160
TR161/750	xT1 - T1	M1	-	-	-	160
TR162/250	xT2-T2-OT160	-	NSx160-INS160	VL160-VL160x-3VT1-3KA71-1	MC169-MM169	160
TR162/300	xT2-T2-OT160	-	NSx160-INS160	VL160-VL160x-3VT1-3KA71-1	MC169-MM169	160
TR162/350	xT2-T2-OT160	-	NSx160-INS160	VL160-VL160x-3VT1-3KA71-1	MC169-MM169	160
TR162/400	xT2-T2-OT160	-	NSx160-INS160	VL160-VL160x-3VT1-3KA71-1	MC169-MM169	160
TR162/450	xT2-T2-OT160	-	NSx160-INS160	VL160-VL160x-3VT1-3KA71-1	MC169-MM169	160
TR162/500	xT2-T2-OT160	-	NSx160-INS160	VL160-VL160x-3VT1-3KA71-1	MC169-MM169	160
TR162/550	xT2-T2-OT160	-	NSx160-INS160	VL160-VL160x-3VT1-3KA71-1	MC169-MM169	160
TR162/600	xT2-T2-OT160	-	NSx160-INS160	VL160-VL160x-3VT1-3KA71-1	MC169-MM169	160
TR162/650	xT2-T2-OT160	-	NSx160-INS160	VL160-VL160x-3VT1-3KA71-1	MC169-MM169	160
TR162/700	xT2-T2-OT160	-	NSx160-INS160	VL160-VL160x-3VT1-3KA71-1	MC169-MM169	160
TR162/750	xT2-T2-OT160	-	NSx160-INS160	VL160-VL160x-3VT1-3KA71-1	MC169-MM169	160
TR162/800	xT2-T2-OT160	-	NSx160-INS160	VL160-VL160x-3VT1-3KA71-1	MC169-MM169	160
TR162/850	xT2-T2-OT160	-	NSx160-INS160	VL160-VL160x-3VT1-3KA71-1	MC169-MM169	160
TR162/900	xT2-T2-OT160	-	NSx160-INS160	VL160-VL160x-3VT1-3KA71-1	MC169-MM169	160

CONDUCTORS

"SUPER FLEX" INSULATED BRAIDED CONDUCTORS (250A)

Flat insulated copper braids (250A)



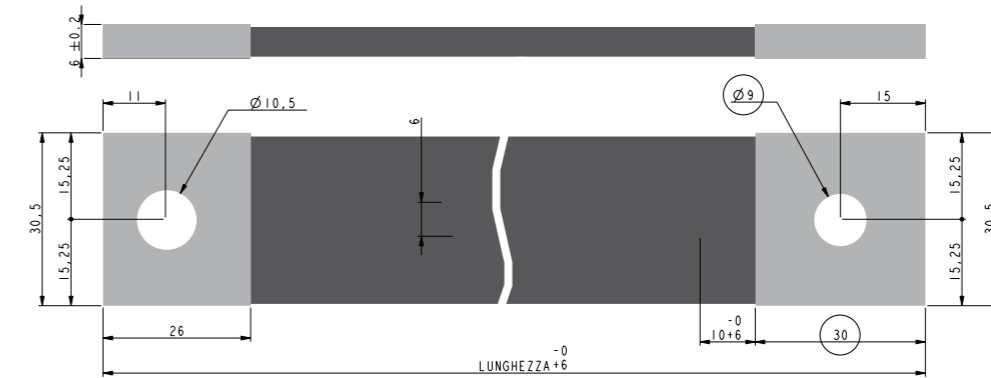
PRODUCT CODE	PACKAGE CONTENT	WEIGHT (KG)	Ø WIRE	LENGTH (MM)	WIDTH (MM)	THICKNESS (MM)
TR25/250	1	0,18	0,20	250	20	6
TR25/300	1	0,213	0,20	300	20	6
TR25/350	1	0,29	0,20	350	20	6
TR25/400	1	0,31	0,20	400	20	6
TR25/450	1	0,32	0,20	450	20	6
TR25/500	1	0,35	0,20	500	20	6
TR25/550	1	0,39	0,20	550	20	6
TR25/600	1	0,432	0,20	600	20	6
TR25/650	1	0,46	0,20	650	20	6
TR25/700	1	0,50	0,20	700	20	6
TR25/750	1	0,53	0,20	750	20	6
TR25/800	1	0,57	0,20	800	20	6
TR25/850	1	0,60	0,20	850	20	6
TR25/900	1	0,64	0,20	900	20	6

CIRCUIT BREAKER COMPATIBILITY

Code	ABB circuit breakers	SCHNEIDER circuit breakers	SIEMENS circuit breakers	AEG circuit breakers	In (A)
TR25/250	xT3-T3-T4-xT4-OT250	NSx250-INS250	VL250-3VT2-3KA71-2	MC259-HLN3	250
TR25/300	xT3-T3-T4-xT4-OT250	NSx250-INS250	VL250-3VT2-3KA71-2	MC259-HLN3	250
TR25/350	xT3-T3-T4-xT4-OT250	NSx250-INS250	VL250-3VT2-3KA71-2	MC259-HLN3	250
TR25/400	xT3-T3-T4-xT4-OT250	NSx250-INS250	VL250-3VT2-3KA71-2	MC259-HLN3	250
TR25/450	xT3-T3-T4-xT4-OT250	NSx250-INS250	VL250-3VT2-3KA71-2	MC259-HLN3	250
TR25/500	xT3-T3-T4-xT4-OT250	NSx250-INS250	VL250-3VT2-3KA71-2	MC259-HLN3	250
TR25/550	xT3-T3-T4-xT4-OT250	NSx250-INS250	VL250-3VT2-3KA71-2	MC259-HLN3	250
TR25/600	xT3-T3-T4-xT4-OT250	NSx250-INS250	VL250-3VT2-3KA71-2	MC259-HLN3	250
TR25/650	xT3-T3-T4-xT4-OT250	NSx250-INS250	VL250-3VT2-3KA71-2	MC259-HLN3	250
TR25/700	xT3-T3-T4-xT4-OT250	NSx250-INS250	VL250-3VT2-3KA71-2	MC259-HLN3	250
TR25/750	xT3-T3-T4-xT4-OT250	NSx250-INS250	VL250-3VT2-3KA71-2	MC259-HLN3	250
TR25/800	xT3-T3-T4-xT4-OT250	NSx250-INS250	VL250-3VT2-3KA71-2	MC259-HLN3	250
TR25/850	xT3-T3-T4-xT4-OT250	NSx250-INS250	VL250-3VT2-3KA71-2	MC259-HLN3	250
TR25/900	xT3-T3-T4-xT4-OT250	NSx250-INS250	VL250-3VT2-3KA71-2	MC259-HLN3	250

"SUPER FLEX" INSULATED BRAIDED CONDUCTORS (400A)

Flat insulated copper braids (400A)



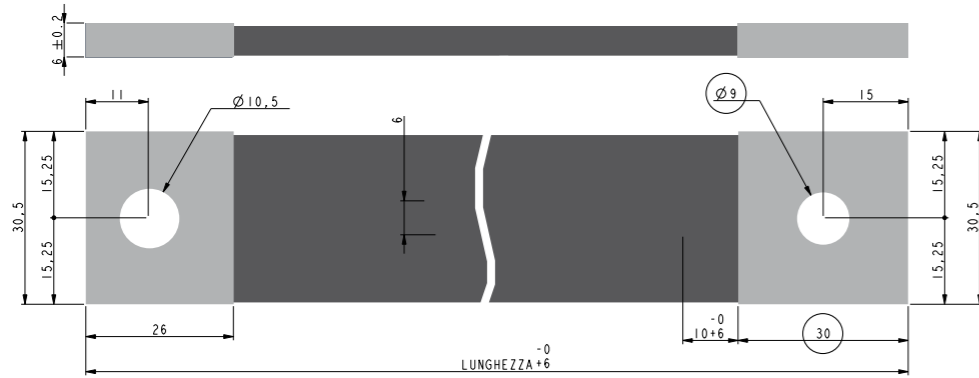
PRODUCT CODE	PACKAGE CONTENT	WEIGHT (KG)	Ø WIRE	LENGTH (MM)	WIDTH (MM)	THICKNESS (MM)
TR40/250	1	0,28	0,20	250	30,5	6
TR40/300	1	0,34	0,20	300	30,5	6
TR40/350	1	0,45	0,20	350	30,5	6
TR40/400	1	0,47	0,20	400	30,5	6
TR40/450	1	0,51	0,20	450	30,5	6
TR40/500	1	0,57	0,20	500	30,5	6
TR40/550	1	0,63	0,20	550	30,5	6
TR40/600	1	0,68	0,20	600	30,5	6
TR40/650	1	0,74	0,20	650	30,5	6
TR40/700	1	0,80	0,20	700	30,5	6
TR40/750	1	0,85	0,20	750	30,5	6
TR40/800	1	0,91	0,20	800	30,5	6
TR40/850	1	0,97	0,20	850	30,5	6
TR40/900	1	1,03	0,20	900	30,5	6

CIRCUIT BREAKER COMPATIBILITY

Code	ABB circuit breakers	SCHNEIDER circuit breakers	SIEMENS circuit breakers	AEG circuit breakers	In (A)
TR40/250	T5400-OT400	NSx400-INS400	VL400-3VT3 (400)-3KA71-3	MC409-HNL3-HNL4	400
TR40/300	T5400-OT400	NSx400-INS400	VL400-3VT3 (400)-3KA71-3	MC409-HNL3-HNL4	400
TR40/350	T5400-OT400	NSx400-INS400	VL400-3VT3 (400)-3KA71-3	MC409-HNL3-HNL4	400
TR40/400	T5400-OT400	NSx400-INS400	VL400-3VT3 (400)-3KA71-3	MC409-HNL3-HNL4	400
TR40/450	T5400-OT400	NSx400-INS400	VL400-3VT3 (400)-3KA71-3	MC409-HNL3-HNL4	400
TR40/500	T5400-OT400	NSx400-INS400	VL400-3VT3 (400)-3KA71-3	MC409-HNL3-HNL4	400
TR40/550	T5400-OT400	NSx400-INS400	VL400-3VT3 (400)-3KA71-3	MC409-HNL3-HNL4	400
TR40/600	T5400-OT400	NSx400-INS400	VL400-3VT3 (400)-3KA71-3	MC409-HNL3-HNL4	400
TR40/650	T5400-OT400	NSx400-INS400	VL400-3VT3 (400)-3KA71-3	MC409-HNL3-HNL4	400
TR40/700	T5400-OT400	NSx400-INS400	VL400-3VT3 (400)-3KA71-3	MC409-HNL3-HNL4	400
TR40/750	T5400-OT400	NSx400-INS400	VL400-3VT3 (400)-3KA71-3	MC409-HNL3-HNL4	400
TR40/800	T5400-OT400	NSx400-INS400	VL400-3VT3 (400)-3KA71-3	MC409-HNL3-HNL4	400
TR40/850	T5400-OT400	NSx400-INS400	VL400-3VT3 (400)-3KA71-3	MC409-HNL3-HNL4	400
TR40/900	T5400-OT400	NSx400-INS400	VL400-3VT3 (400)-3KA71-3	MC409-HNL3-HNL4	400

"SUPER FLEX" INSULATED BRAIDED CONDUCTORS (630A)

Flat insulated copper braids (630A)



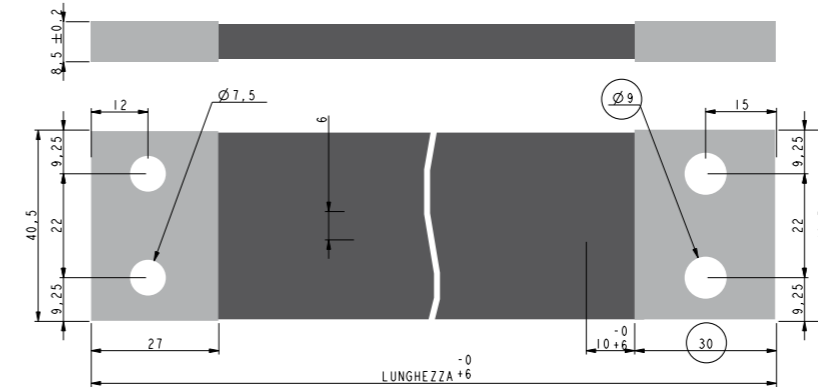
PRODUCT CODE	PACKAGE CONTENT	WEIGHT (KG)	Ø WIRE	LENGTH (MM)	WIDTH (MM)	THICKNESS (MM)
TR633/300	1	0,73	0,20	300	30,5	11
TR633/350	1	0,85	0,20	350	30,5	11
TR633/400	1	1	0,20	400	30,5	11
TR633/450	1	1,1	0,20	450	30,5	11
TR633/500	1	1,22	0,20	500	30,5	11
TR633/550	1	1,34	0,20	550	30,5	11
TR633/600	1	1,46	0,20	600	30,5	11
TR633/650	1	1,6	0,20	650	30,5	11
TR633/700	1	1,7	0,20	700	30,5	11
TR633/750	1	1,83	0,20	750	30,5	11
TR633/800	1	1,95	0,20	800	30,5	11
TR633/850	1	2,07	0,20	850	30,5	11
TR633/900	1	2,20	0,20	900	30,5	11

CIRCUIT BREAKER COMPATIBILITY

Code	ABB circuit breakers	SCHNEIDER circuit breakers	SIEMENS circuit breakers	AEG circuit breakers	In (A)
TR633/300	T5630-OT630	NSx630-INS630	3VT3 (630) -3KA71-4	MC639-HNL4	630
TR633/350	T5630-OT630	NSx630-INS630	3VT3 (630) -3KA71-4	MC639-HNL4	630
TR633/400	T5630-OT630	NSx630-INS630	3VT3 (630) -3KA71-4	MC639-HNL4	630
TR633/450	T5630-OT630	NSx630-INS630	3VT3 (630) -3KA71-4	MC639-HNL4	630
TR633/500	T5630-OT630	NSx630-INS630	3VT3 (630) -3KA71-4	MC639-HNL4	630
TR633/550	T5630-OT630	NSx630-INS630	3VT3 (630) -3KA71-4	MC639-HNL4	630
TR633/600	T5630-OT630	NSx630-INS630	3VT3 (630) -3KA71-4	MC639-HNL4	630
TR633/650	T5630-OT630	NSx630-INS630	3VT3 (630) -3KA71-4	MC639-HNL4	630
TR633/700	T5630-OT630	NSx630-INS630	3VT3 (630) -3KA71-4	MC639-HNL4	630
TR633/750	T5630-OT630	NSx630-INS630	3VT3 (630) -3KA71-4	MC639-HNL4	630
TR633/800	T5630-OT630	NSx630-INS630	3VT3 (630) -3KA71-4	MC639-HNL4	630
TR633/850	T5630-OT630	NSx630-INS630	3VT3 (630) -3KA71-4	MC639-HNL4	630
TR633/900	T5630-OT630	NSx630-INS630	3VT3 (630) -3KA71-4	MC639-HNL4	630

"SUPER FLEX" INSULATED BRAIDED CONDUCTORS (630A)

Flat insulated copper braids equipped with double fastening hole (630A)



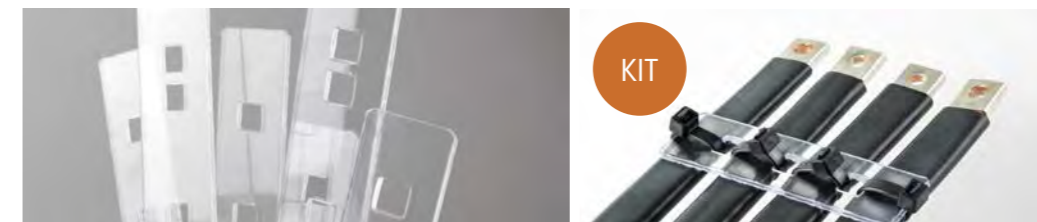
PRODUCT CODE	PACKAGE CONTENT	WEIGHT (KG)	Ø WIRE	LENGTH (MM)	WIDTH (MM)	THICKNESS (MM)
TR634/430	1	1,97	0,20	430	40,5	8,5
TR634/480	1	1,08	0,20	480	40,5	8,5
TR634/530	1	1,20	0,20	530	40,5	8,5
TR634/580	1	1,31	0,20	580	40,5	8,5
TR634/630	1	1,42	0,20	630	40,5	8,5
TR634/680	1	1,42	0,20	680	40,5	8,5

CIRCUIT BREAKER COMPATIBILITY

Code	ABB circuit breakers	SIEMENS circuit breakers	In (A)
TR634/430	T6	VL630	630
TR634/480	T6	VL630	630
TR634/530	T6	VL630	630
TR634/580	T6	VL630	630
TR634/630	T6	VL630	630
TR634/680	T6	VL630	630

POLYCARBONATE STIFFENER FOR "SUPER FLEX" BRAIDED CONDUCTORS

Polycarbonate stiffeners equipped with ties

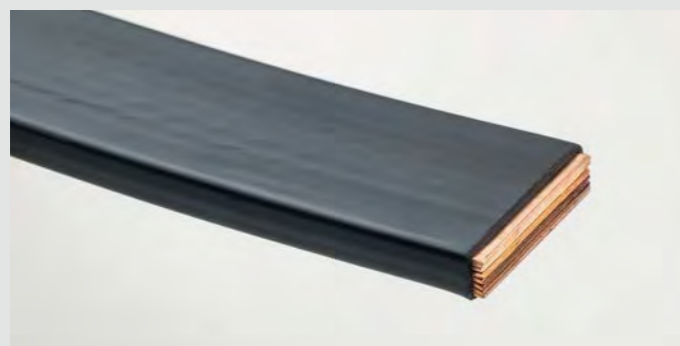


PRODUCT CODE	PACKAGE CONTENT	WEIGHT (KG)	LENGTH (MM)	WIDTH (MM)	CIRCUIT BREAKER POLE CENTER DISTANCE (MM)	IN (A)
IR30/C	10	0,52	108	20	30	160
IR35/C	10	0,55	128	20	35	250
IR451/C	10	0,59	168	20	45	250
IR452/C	10	0,60	168	30,5	45	400/630
IR701/C	10	0,74	243	30,5	70	400/630
IR702/C	10	0,75	251	40,5	70	630

INSULATED FLEXIBLE COPPER BARS



Flexible bars consisting of overlapping layers of electrolytic copper, protected by a high quality PVC insulation. The PVC sheath ensures the electrical insulation of the conductor whereas the flexibility of the copper laminates allows copper bars to be easily bent and folded improving assembly versatility.



ADVANTAGES

COMPARED TO RIGID BARS

- Wide variety of bending and twisting possibilities
- Quick and easy to install
- High electrical insulation properties
- Maximum short circuit withstanding

TECHNICAL SPECIFICATIONS

- Rame elettrolitico Cu-EPT 99,90%
- Spessore lamina 0,5 ÷ 1 mm

COPPER LAMINATES

- Electrolytic copper Cu-EPT 99,90%
- Laminates thickness 0,5 ÷ mm
- Insulating Sheath

INSULATING SHEATH

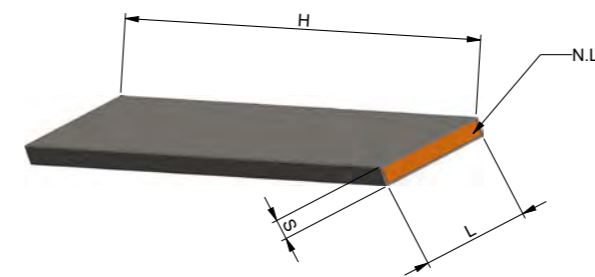
- Flammability Rating: UL 94-V0
- Colour: Black
- Thickness: 2 mm

FLEXIBLE BARS

- Dielectric Strength: 20 kV/mm
- Operating temperature -40°C ÷ 105°C
- Nominal voltage 1000 VAC/1500 VDC
- Dielectric strength (39 Kv/mm)

INSULATED FLEXIBLE COPPER BARS

Insulated, flexible copper conductor (length: 2 metres)



PRODUCT CODE	PACKAGE CONTENT	WEIGHT (KG)	CROSS SECTION (MM ²)	L WIDTH (MM)	NUMBER OF COPPER LAMINATES	S THICKNESS (MM)	H HEIGHT (MM)	ICC (A)
CU/20X2X1	1	0,85	40	20	2	1	2000	3,479
CU/20X3X1	1	1,2	60	20	3	1	2000	5,218
CU/24X4X1	1	1,9	96	24	4	1	2000	8,349
CU/32X4X1	1	2,5	128	32	4	1	2000	11,132
CU/32X5X1	1	3,1	160	32	5	1	2000	13,915
CU/32X6X1	1	3,65	192	32	6	1	2000	16,698
CU/40X5X1	1	3,8	200	40	5	1	2000	17,394
CU/50X5X1	1	4,8	250	50	5	1	2000	21,742
CU/50X6X1	1	5,7	300	50	6	1	2000	22,090
CU/50X8X1	1	7,5	400	50	8	1	2000	28,120
CU/50X10X1	1	9,3	500	50	10	1	2000	35,150

TEMPERATURE RISE T (°C)

Rated current (A)

Code	65°	50°	40°	30°	20°
CU/20X2X1	320	280	230	195	150
CU/20X3X1	400	345	285	240	185
CU/24X4X1	545	470	380	320	250
CU/32X4X1	685	590	480	400	310
CU/32X5X1	775	670	540	450	350
CU/32X6X1	855	735	600	500	385
CU/40X5X1	925	805	640	540	420
CU/50X5X1	1110	965	770	645	500
CU/50X6X1	1220	1060	840	705	545
CU/50X8X1	1410	1220	970	815	620
CU/50X10X1	1585	1370	1080	905	705

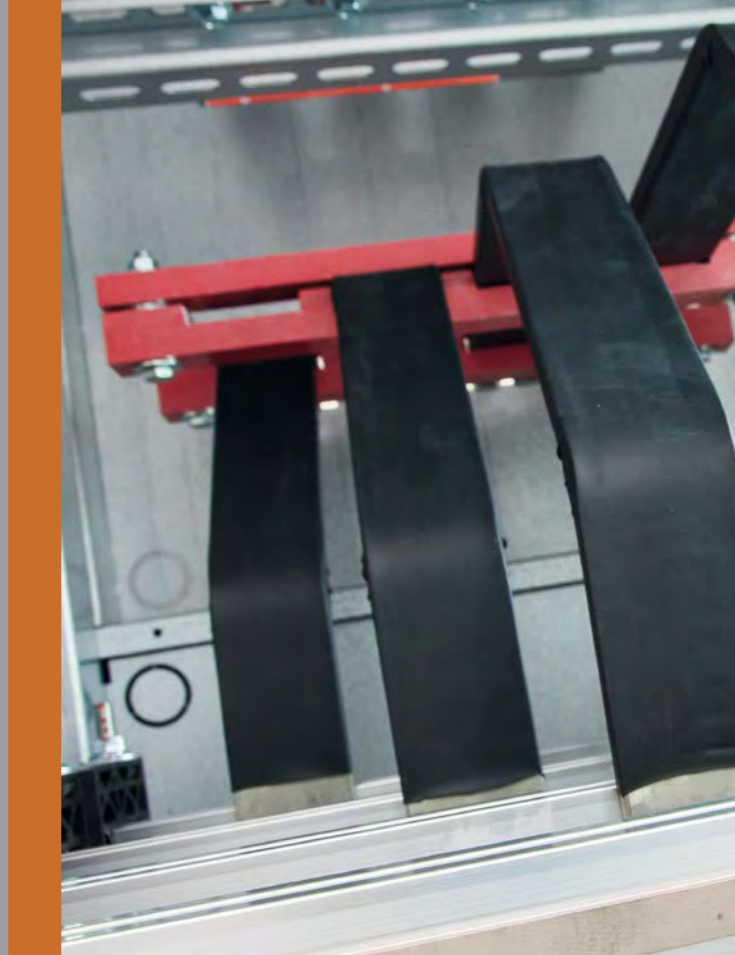
INSULATING SUPPORTS
FOR CONNECTIONS
AND TERMINALS
EXTENSION



Alcu[®]
SYSTEM

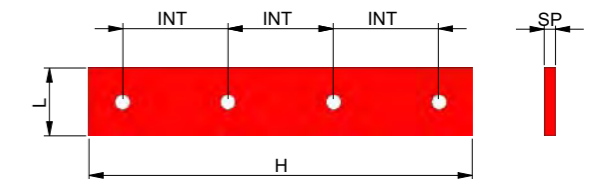
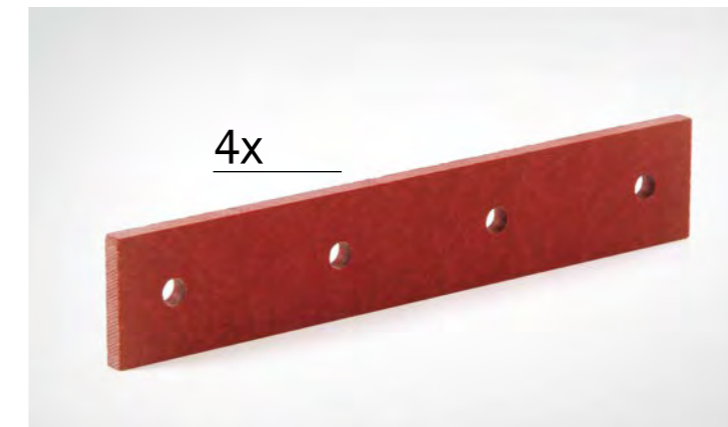
INSULATING SUPPORTS FOR CONNECTIONS AND TERMINALS EXTENSION

A complete range of insulating supports, stiffeners and hexagonal insulators specifically designed for busbar systems connections and terminals extension.



GPO-03 SHEET LAMINATES STIFFENERS

Insulating stiffeners for terminals connection and extension



PRODUCT CODE	PACKAGE CONTENT	WEIGHT (KG)	L (MM)	SP THICKNESS (MM)	H HEIGHT (MM)	Ø HOLE (MM)	I (MM) CIRCUIT BREAKER POLE-CENTER DISTANCE
PG30A/C	4	0,12	30	5	110	6,5	30
PG35A/C	4	0,14	30	5	125	6,5	35
PG45A/C	4	0,14	30	5	165	6,5	45
PG46A/C	4	0,18	30	5	169.5	6,5	46.5
PG63A/C	4	0,5	30	10	230.5	9,2	63.5
PG70A/C	4	0,28	30	5	260	8	70
PG70/10A/C	4	0,56	30	10	260	8	70
PG76A/C	4	0,8	40	10	278	11,2	76
PG90A/C	4	0,76	40	10	330	11,2	90
PG115A/C	4	1,24	40	10	425	11,2	115
PG120A/C	4	1,37	40	10	470	11,2	120
PG126A/C	4	0,83	40	10	478	11,2	126
PG130A/C	4	1,61	40	15	490	11,2	130



The whole range of accessories is compatible with different types of circuit breakers to make wiring easier and quicker regardless of the brand of devices used.

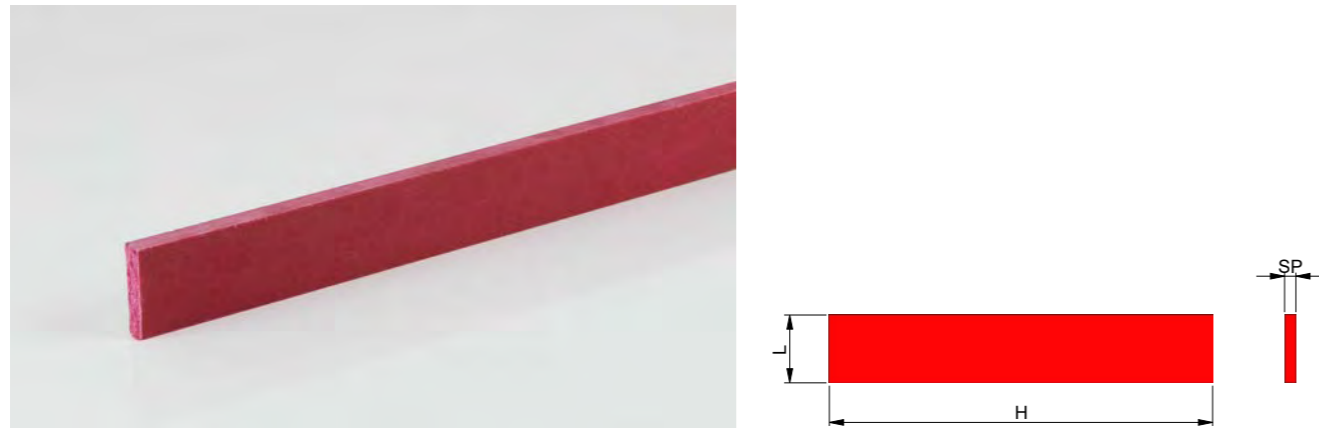


INSULATED BRACKETS

INSULATED BRACKETS

GPO-03 SHEET LAMINATES STIFFENERS (LENGTH 1700MM)

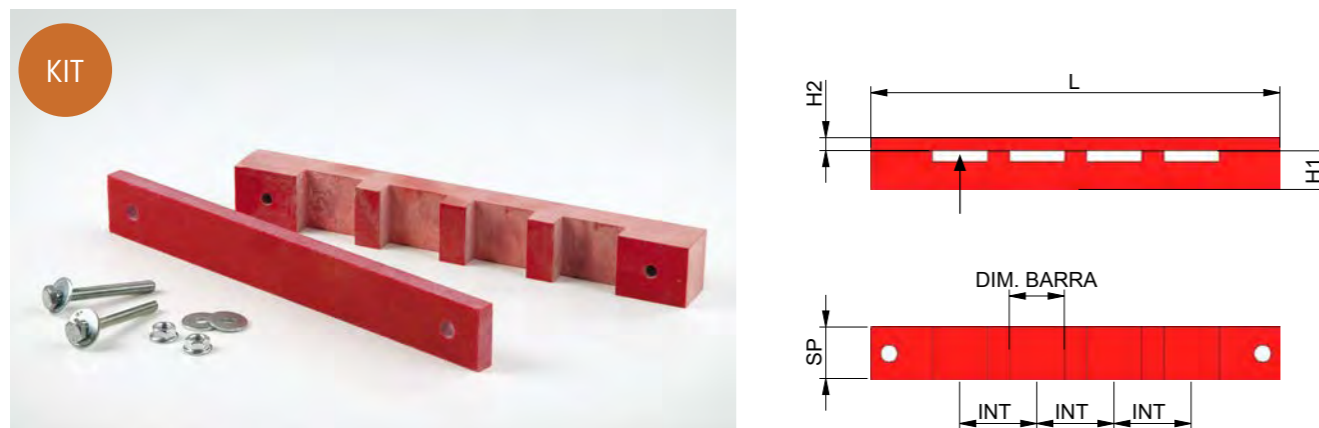
Insulating stiffeners length 1700 mm



PRODUCT CODE	PACKAGE CONTENT	WEIGHT (KG)	L (MM)	SP - THICKNESS (MM)	H (MM)
GPO33010/C	4	1,2	30	10	1700
GPO33030/C	4	1,2	30	30	1700
GPO34010/C	4	1,2	40	10	1700
GPO34020/C	4	1,2	40	20	1700
GPO34030/C	4	1,2	40	30	1700
GPO3406/C	4	0,67	40	6	1700
GPO3408/C	4	0,9	40	8	1700

MILLED GPO-03 STIFFENERS

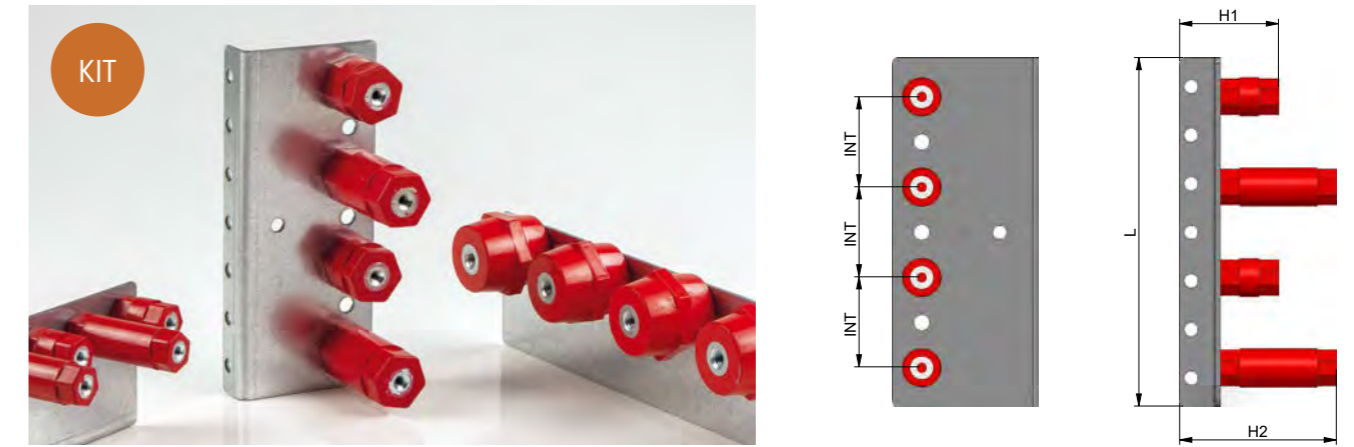
Kit including 02 Insulating milled GPO-03 stiffeners and 2 screws/ nuts



PRODUCT CODE	PACKAGE CONTENT	WEIGHT (KG)	L LENGTH (MM)	SP THK (MM)	CIRCUIT BREAKER POLE-CENTER DISTANCE (MM)	H1 (MM)	H2 (MM)	BAR DIM. (MM)
PS30P/C	1 kit	0,47	159	20	30	20	5	20x4
PS35P/C	1 kit	1	178	25	35	20	5	20x5
PS45P/C	1 kit	1,25	235	30	45	30	10	30x10
PS46P/C	1 kit	1,25	235	35	46	30	10	40x10
PS63P/C	1 kit	1,85	340	35	63	40	10	50x10
PS70P/C	1 kit	1,92	340	35	70	50	10	50x10
PS76P/C	1 kit	1,95	358	35	76	50	10	50x10

BRACKET FOR TERMINALS EXTENSION EQUIPPED WITH HEXAGONAL INSULATORS

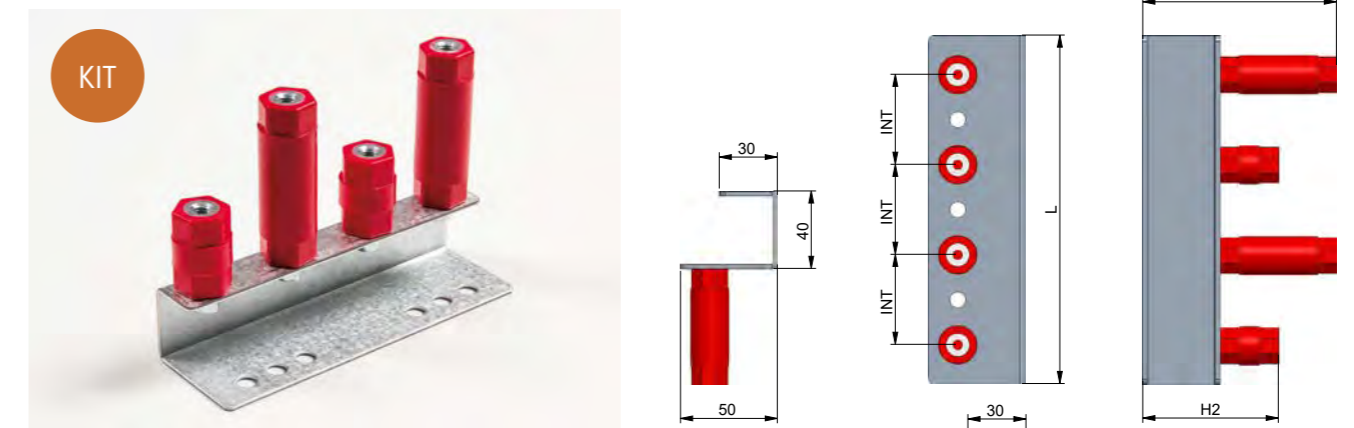
Kit including 01 bracket equipped with 4 hexagonal insulators for circuit breaker terminals extension



PRODUCT CODE	PACKAGE CONTENT	WEIGHT (KG)	L LENGTH (MM)	SP THK (MM)	CIRCUIT BREAKER POLE-CENTER DISTANCE (MM)	H1 (MM)	H2 (MM)	BAR DIM. (MM)
SC30P/C	1 kit	0,35	159	20	30	20	84	54
SC35P/C	1 kit	0,35	178	25	35	20	84	54
SC45P/C	1 kit	0,35	178	25	45	25	84	54
SC46P/C	1 kit	0,35	235	30	46	30	84	54
SC63P/C	1 kit	0,48	235	35	63	30	64	64
SC70P/C	1 kit	0,61	340	35	70	40	64	64
SC76P/C	1 kit	0,65	340	35	76	50	64	64

BRACKET FOR TERMINALS EXTENSION EQUIPPED WITH HEXAGONAL INSULATORS

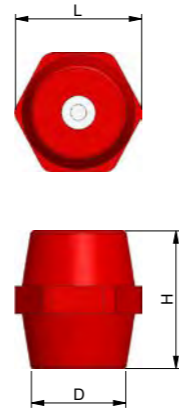
Kit including 01 bracket equipped with 4 hexagonal insulators for circuit breaker terminals extension



PRODUCT CODE	PACKAGE CONTENT	WEIGHT (KG)	L LENGTH (MM)	SP THK (MM)	CIRCUIT BREAKER POLE-CENTER DISTANCE (MM)	H1 (MM)	H2 (MM)	BAR DIM. (MM)
SC30C/C	1 kit	0,32	159	20	30	20	84	54
SC35C/C	1 kit	0,35	178	25	35	20	84	54
SC45C/C	1 kit	0,35	178	25	45	25	84	54
SC46C/C	1 kit	0,35	235	30	46	30	84	54
SC63C/C	1 kit	0,47	235	35	63	30	64	64
SC70C/C	1 kit	0,61	340	35	70	40	64	64
SC76C/C	1 kit	0,65	340	35	76	50	64	64

HEXAGONAL INSULATOR

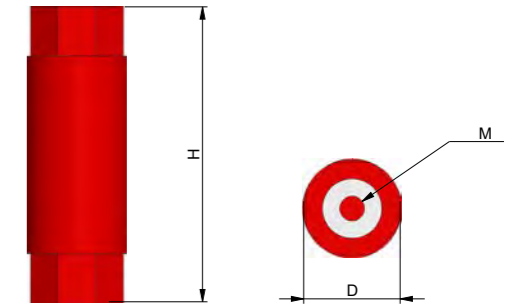
Hexagonal insulator H= 25,30,35,60,65,70 mm- Thread M6, M8, M10, M12



PRODUCT CODE	PACKAGE CONTENT	WEIGHT (KG)	H (MM)	L (MM)	D (MM)	THREAD (M)
BK2827/C	10	0,2	25	22	18	M6
BK3049/C	10	1	30	30	26	M6
BK3551/C	10	0,75	35	32	29	M8
BK3916/C	10	0,97	35	41	35	M8
BK3924/C	10	0,97	35	41	35	M10
BK4054/C	10	1,25	40	41	34	M8
BK4617/C	10	1,4	45	46	38	M8
BK5051/C	10	1	50	36	30	M8
BK5549/C	10	1,62	50	50	40	M10
BK6067/C	10	2,7	60	55	43	M10
BK6554/C	10	2,5	65	41	32	M8
BK6562/C	10	2,7	65	41	32	M10
BK7057/C	10	4	70	60	48	M8
BK7065/C	10	4	70	60	48	M10
BK7073/C	10	4	70	60	48	M12

SPACING PILLARS

Spacing pillars H=30,40,60 mm- Thread M6, M8



PRODUCT CODE	PACKAGE CONTENT	WEIGHT (KG)	H (MM)	L (MM)	D (MM)	THREAD (M)
BK2307/C	10	0,5	30	18	20	M6
BK3306/C	10	0,5	30	27	30	M6
BK3308/C	10	0,5	30	27	30	M8
BK4408/C	10	1,1	40	36	40	M8
BK2606/C	10	0,4	60	18	20	M6
BK3606/C	10	0,94	60	27	30	M6
BK3608/C	10	0,94	60	27	30	M8

BUSBAR SYSTEMS UP TO 630A



Alcu[®]
SYSTEM

BUSBAR SYSTEMS UP TO 630A



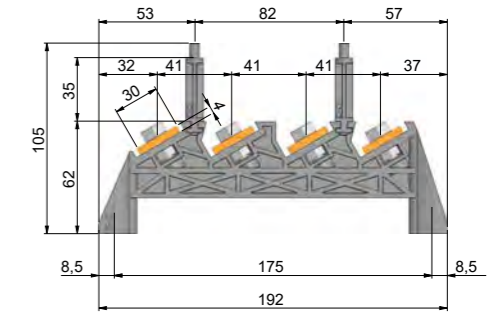
Busbar systems up to 630A consisting of brackets equipped with hexagonal insulators, prepunched copper bars (bars placeable both horizontally and vertically) and lexan shielding. The system has been tested up to 16 kA, ensuring a high short-circuit withstand.



VERTICAL/HORIZONTAL BUSBAR SYSTEMS UP TO 630A

INCLINED BUSBAR HOLDER FOR APPLICATIONS UP TO 250

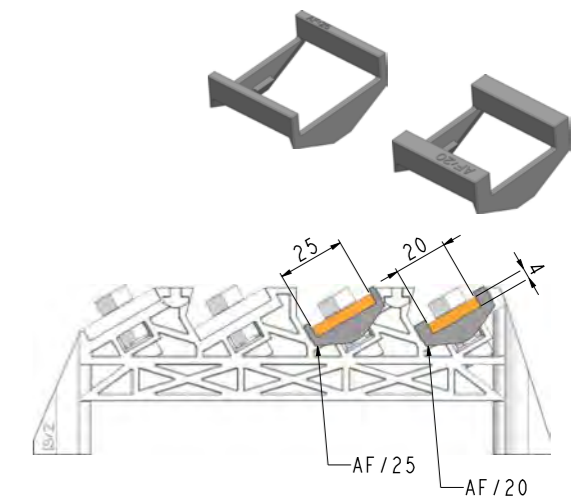
Polyamide inclined busbar holders up to 250A



PRODUCT CODE	PACKAGE CONTENT	WEIGHT (KG)	LENGTH (MM)	HEIGHT (MM)	SCREWS TO BE USED FOR FASTENING THE BARS	IN MAX(A)
IS/2/S	1	0,13	192	62	M6	250
IS/2/C	10	1,3	192	62	M6	250

PHASE FILLER MODULES FOR INCLINED BUSBAR HOLDER

Phase filler modules for inclined busbar holder for applications up to 250A



PRODUCT CODE	PACKAGE CONTENT	WEIGHT (KG)	DIMENSIONS	BAR WIDTH (MM)	IN (A)
AF/20/C	100	0,3	30x24.5	20	250
AF/25/C	100	0,2	30x24.5	25	250

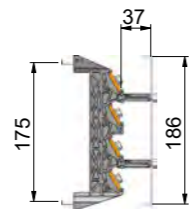
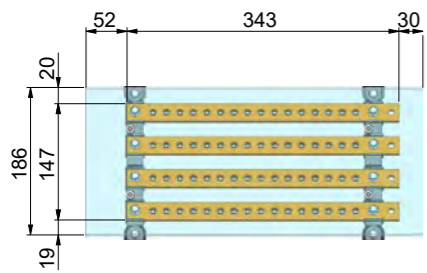
SPACERS FOR LEXAN SHIELDING

PRODUCT CODE	PACKAGE CONTENT	WEIGHT (KG)
D/D/C	100	0,2

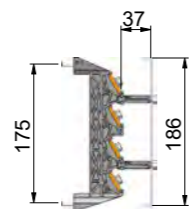
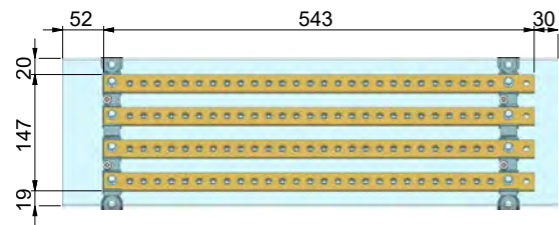
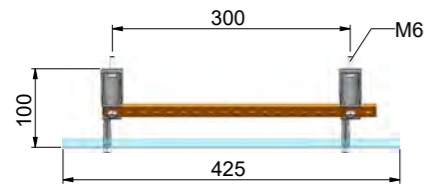


VERTICAL/HORIZONTAL BUSBAR SYSTEMS UP TO 630A

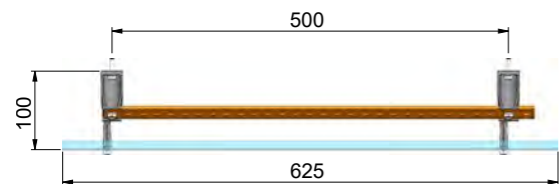
HORIZONTAL BUSBAR SYSTEM (250A)



RH2507/C
Horizontal busbar system (250A)



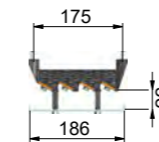
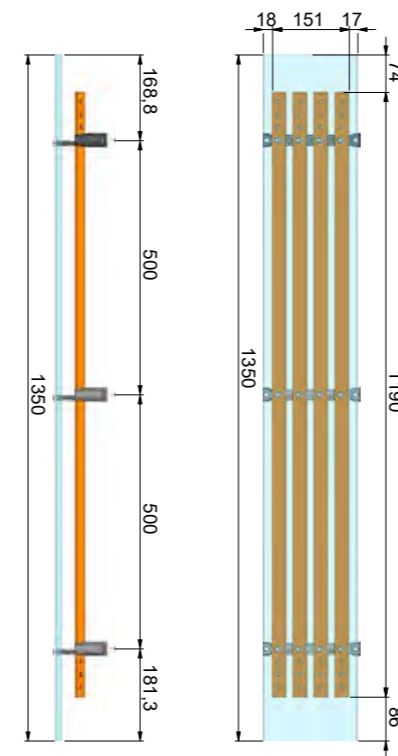
RH2509/C
Horizontal busbar system (250A)



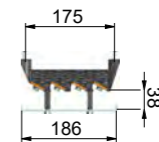
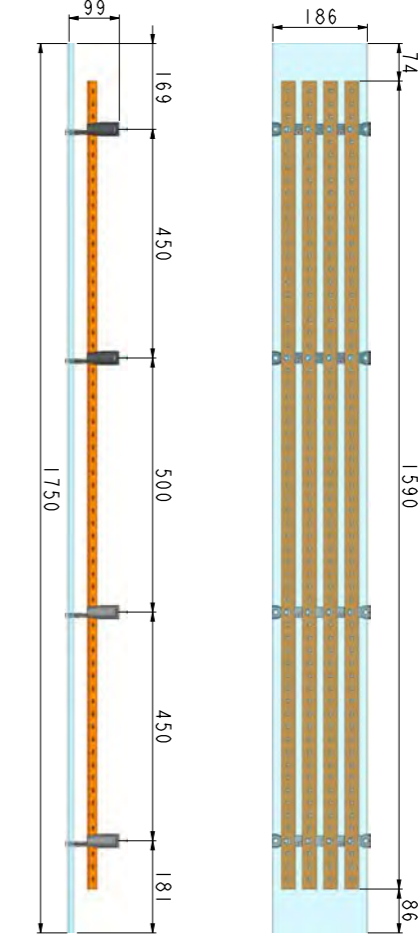
VERTICAL BUSBAR SYSTEM (250A)



RV2512/C
Vertical busbar system (250A)



RV2516/C
Vertical busbar system (250A)



VERTICAL/HORIZONTAL BUSBAR SYSTEMS UP TO 630A

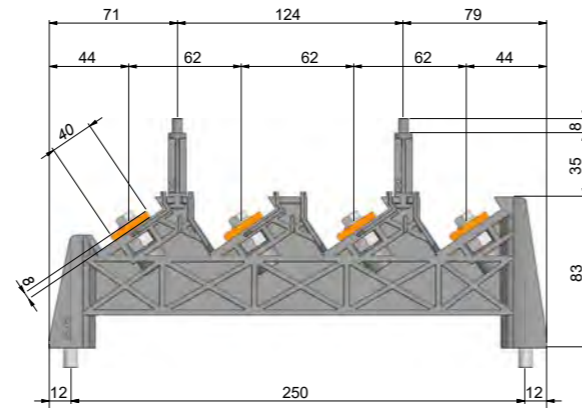
VERTICAL/HORIZONTAL BUSBAR SYSTEMS UP TO 630A

PRODUCT CODE	PACKAGE CONTENT	WEIGHT (KG)	DIMENSIONS LxHxTHK (mm)	BARS						
				CROSS SECTION	LENGTH (MM)	POLE-CENTER DISTANCE BETWEEN HOLES (MM)	Ø THREAD	AVAILABLE CONNECTIONS	ICC (KA)	IN (A)
RH2507/C	1		425 x 186 x 100	4x25	343	17	M6	16	25	250
RH2509/C	1		625 x 186 x 100	4x25	543	17	M6	27	25	250

PRODUCT CODE	PACKAGE CONTENT	WEIGHT (KG)	DIMENSIONS LxHxTHK (mm)	CROSS SECTION	LENGTH (MM)	BARS				
						POLE-CENTER DISTANCE BETWEEN HOLES (MM)	Ø THREAD	AVAILABLE CONNECTIONS	ICC (KA)	IN (A)
RV2512/C	1		186 x 1750 x 100	4x30	1190	17	Filetto M6	43	25	250
RV2516/C	1		186 x 1750 x 100	4x30	1590	17	Filetto M6	58	25	250

INCLINED BUSBAR HOLDER FOR APPLICATIONS FROM 400A UP TO 630A

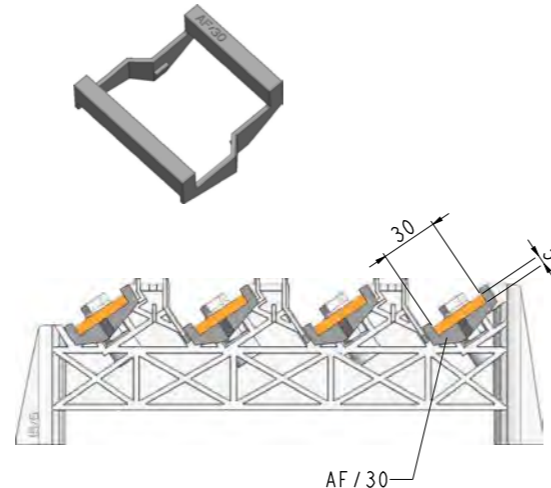
Polyamide inclined busbar holders up to 630A



PRODUCT CODE	PACKAGE CONTENT	WEIGHT (KG)	LENGTH (MM)	HEIGHT (MM)	SCREWS TO BE USED FOR FASTENING THE BARS	IN(A)
IS/6/S	1	0,34	274	83	M8	630
IS/6/C	10	3,4	274	83	M8	630

PHASE FILLER MODULES

Phase filler modules for inclined busbar holder for applications from 400A up to 630A



PRODUCT CODE	PACKAGE CONTENT	WEIGHT (KG)	IN (A)
AF/30/C	100	0,6	400

SPACERS FOR LEXAN SHIELDING

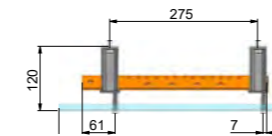
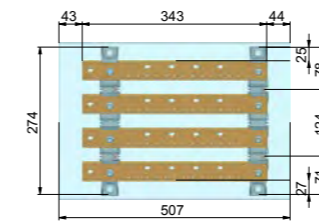
PRODUCT CODE	PACKAGE CONTENT	WEIGHT (KG)
D/D/C	100	0,2



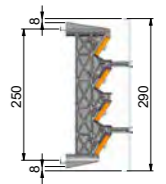
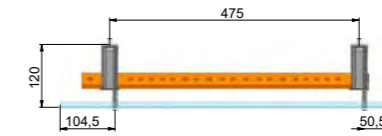
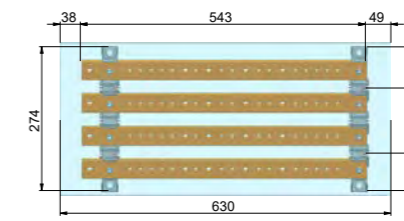
HORIZONTAL BUSBAR SYSTEM (400A/630A)



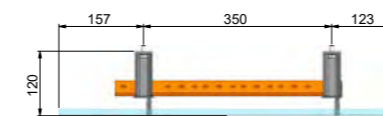
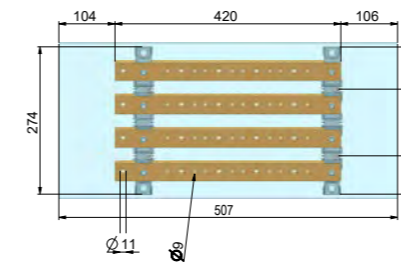
RH4007/C
Horizontal busbar system (400A)



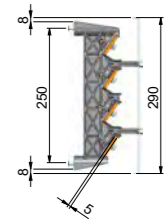
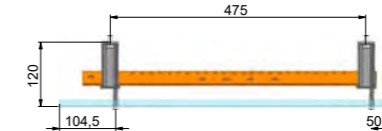
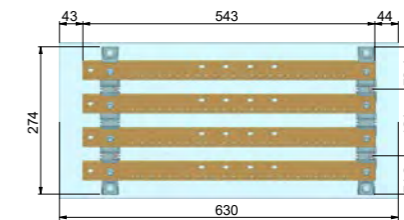
RH4009/C
Horizontal busbar system (400A)



RH6307/C
Horizontal busbar system (630A)

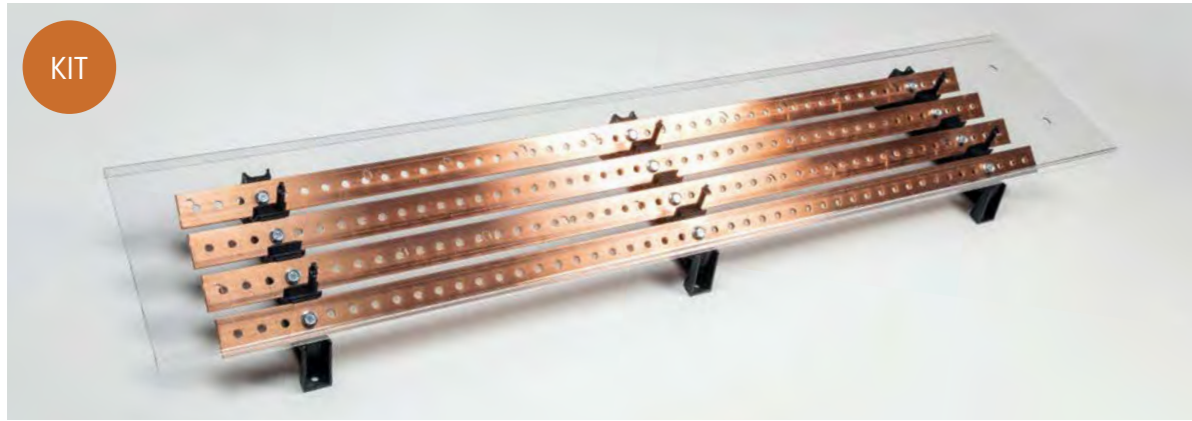


RH6309/C
Horizontal busbar system (630A)



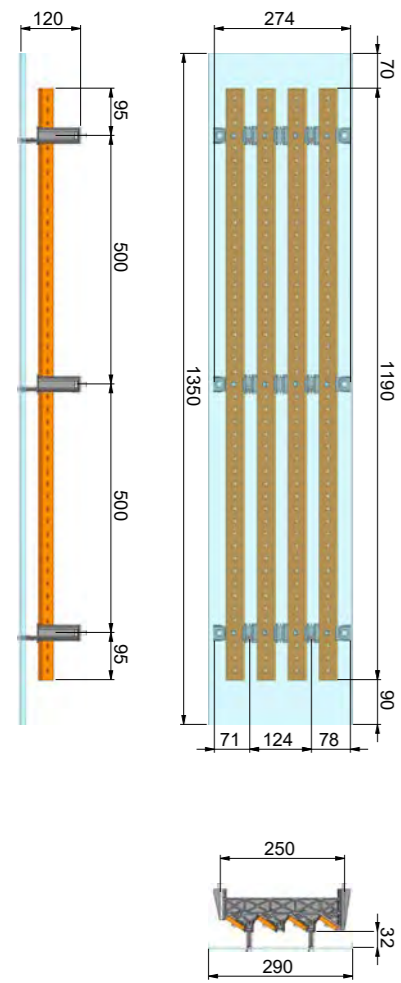
PRODUCT CODE	PACKAGE CONTENT	WEIGHT (KG)	DIMENSIONS LxHxTHK (mm)	CROSS SECTION	LENGTH (MM)	BARS				
						POLE-CENTER DISTANCE BETWEEN HOLES (MM)	Ø THREAD	AVAILABLE CONNECTIONS	ICC (KA)	IN (A)
RH4007/C	1		430 x 290 x 120	40x5	343	17	6,5	13	25	400
RH4009/C	1		630 x 290 x 120	40x5	543	17	6,5	24	25	400
RH6307/C	1		630 x 290 x 120	40x8	420	20	9	8	25	630
RH6309/C	1		630 x 290 x 120	40x8	543	20	9	15	25	630

VERTICAL BUSBAR SYSTEM (400A / 630A)

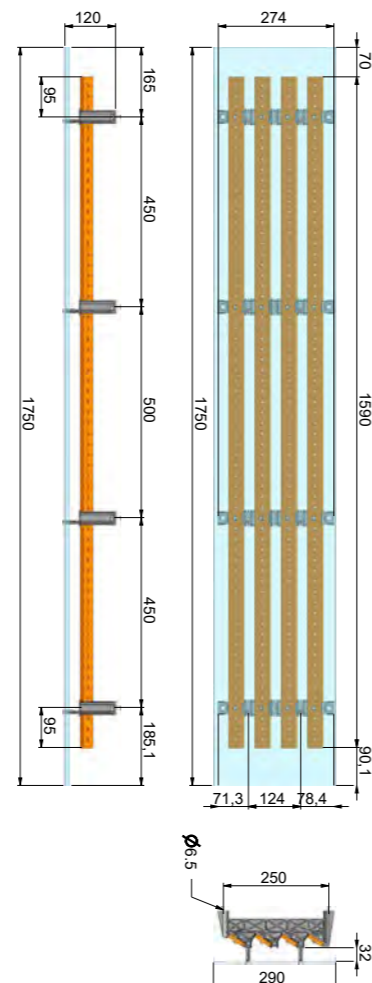


VERTICAL/HORIZONTAL BUSBAR SYSTEMS UP TO 630A

RV4012/C - RV6312/C
Vertical busbar system (400A / 630A)

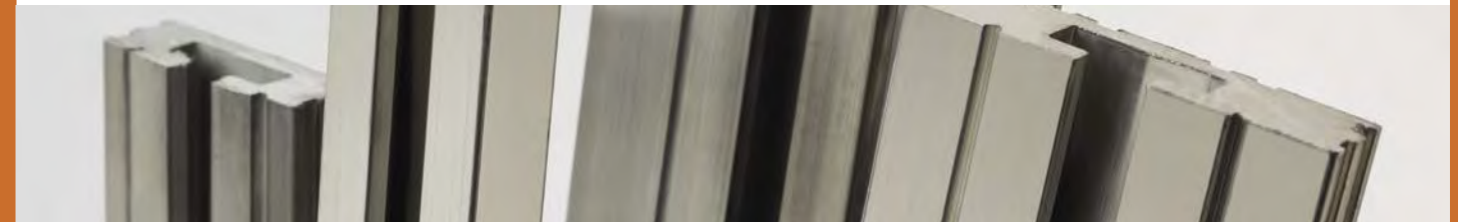


RV4016/C - RV6316/C
Vertical busbar system (400A / 630A)



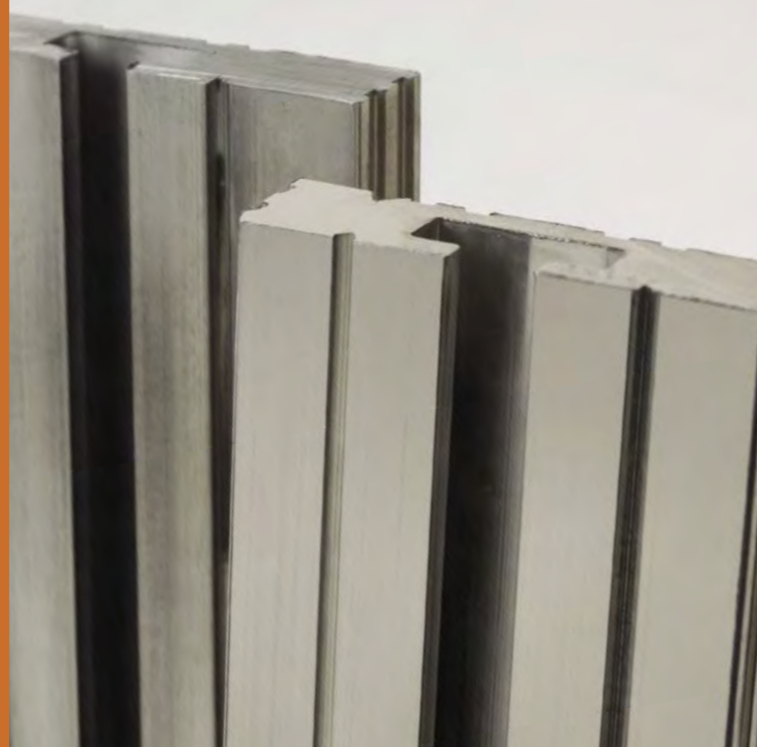
PRODUCT CODE	PACKAGE CONTENT	WEIGHT (KG)	DIMENSIONS LxHxTHK (mm)	BARS						
				CROSS SECTION	LENGTH (MM)	POLE-CENTER DISTANCE BETWEEN HOLES (MM)	Ø THREAD	AVAILABLE CONNECTIONS	ICC (KA)	IN (A)
RV4012/C	1		290 x 1350 x 120	40x5	1190	25	9	43	25	400
RV4016/C	1		290 x 1750 x 120	40x5	1590	25	9	58	25	400
RV6312/C	1		290 x 1350 x 120	40x8	1190	25	9	43	25	630
RV6316/C	1		290 x 1750 x 120	40x8	1590	25	9	58	25	630

SMART-EARTH EARTH PROFILES AND ACCESSORIES



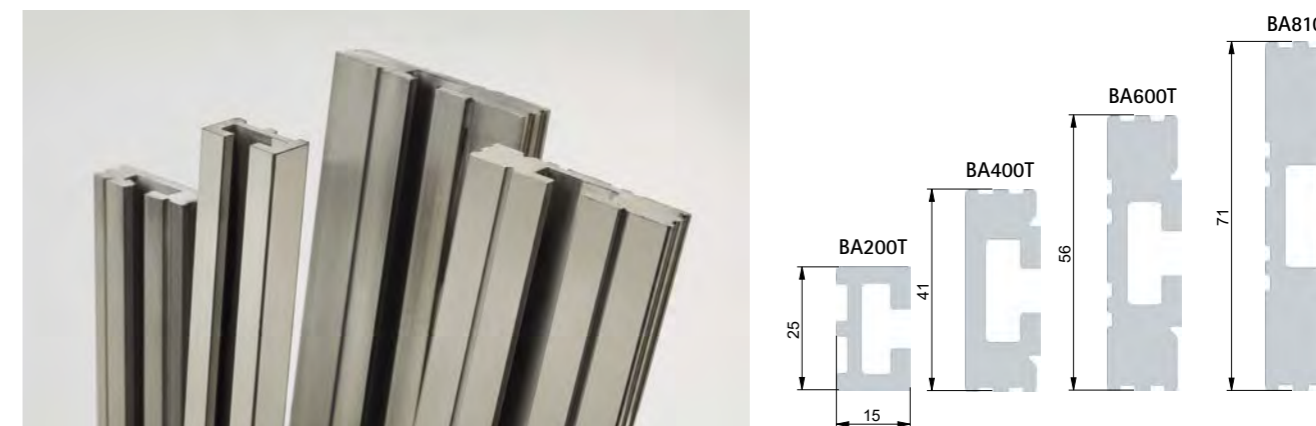
SMART EARTH

Tin-plated aluminium earth profile



"SMART EARTH" PROFILE UP FOR APPLICATIONS UP TO 100 KA

Tin-plated aluminium earth profile



PRODUCT CODE	PACKAGE CONTENT	WEIGHT (KG)	THK (MM)	H (MM)	L (MM)	ICC
BA200T	1	1,6	15	25	3000	from 10kA up to 25kA
BA400T	1	3,2	15	41	3000	from 30KA up to 50kA
BA600T	1	4,9	15	56	3000	from 55kA up to 75kA
BA810T	1	6,5	15	71	3000	from 80kA up to 100kA



ADVANTAGES

- Significant wiring times reduction
- Tool-free system
- Lightweight bars
- Resistant to harsh environments

TECHNICAL SPECIFICATIONS

- Tin-plated aluminium profiles

JOINTS FOR SMART EARTH PROFILES

Tin-plated aluminium left /right joints



PRODUCT CODE	PACKAGE CONTENT	WEIGHT (KG)
ASD/PE/KIT	1 JOINTS (LEFT) 1 JOINTS (RIGHT) + 2 screws / nuts	0,33



CERTIFICATIONS

B5002265	Verification of the short-circuit withstand of the main circuits Verification of the efficiency of the protection circuit Verification of the short-circuit withstand of the protection circuit	Icc=63 kA
----------	---	-----------

JOINTS FOR BA200T AND BA400T SMART EARTH PROFILES

Tin-plated aluminium joints for horizontal earth profiles fixing



PRODUCT CODE	PACKAGE CONTENT	WEIGHT (KG)
GPE1/C	10 joints + 20 screws / nuts	2,2

JOINTS FOR BA600T AND BA810T SMART EARTH PROFILES

Tin-plated aluminium joints for horizontal earth profiles fixing



PRODUCT CODE	PACKAGE CONTENT	WEIGHT (KG)
GPE2/C	10 joints + 20 screws / nuts	3,5

ANGLE JOINTS FOR SMART EARTH PROFILES

Tin-plated aluminium angle joints for horizontal earth profiles fixing (Joints suitable for BA200T/ BA400T/BA600T/BA810T)



PRODUCT CODE	PACKAGE CONTENT	WEIGHT (KG)
SPE/C	10 joints + 20 screws / nuts	2,34

COPPER EARTH BAR

Prepunched copper earth bar for applications up to 150Ka



PRODUCT CODE	PACKAGE CONTENT	WEIGHT (KG)	L (MM)	SP (MM)	H (MM)	I (MM)	M Ø (MM)	ICC
PE2005	1	1,68	20	5	2000	25	7	from 10kA up to 16kA
PE3004	1	2,1	30	4	2000	25	7	20kA
PE4005	1	3,34	40	5	2000	25	9	from 25kA up to 30kA
PE4006	1	4	40	6	2000	25	9	from 35kA up to 40kA
PE4008	1	5,34	40	8	2000	25	11	from 45kA up to 55kA
PE5008	1	6,80	50	8	2000	25	11	60kA
PE5010	1	8,45	50	10	2000	25	11	from 65kA up to 80kA
PE6010	1	10,2	60	10	2000	25	11	from 85kA up to 100kA
PE8010	1	13,8	80	10	2000	25	11	from 105kA up to 130kA
PE10010	1	17,35	100	10	2000	25	11	from 135kA up to 150kA

BRACKETS FOR COPPER EARTH BAR FIXING

Brackets for copper earth bar fixing



PRODUCT CODE	PACKAGE CONTENT	WEIGHT (KG)
2/5222/C	10	0,6

PROFILES
AND ACCESSORIES FOR
CABLES MANAGEMENT
AND TERMINAL BLOCK

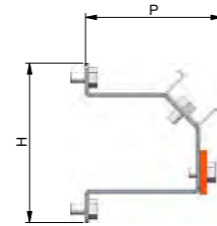
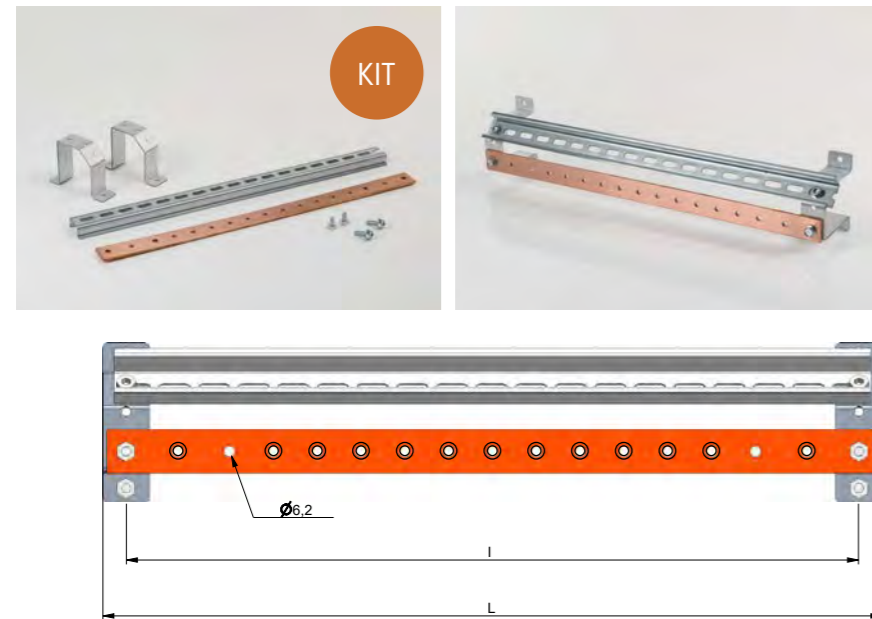


Alcu[®]
SYSTEM

BRACKETS FOR HORIZONTAL TERMINAL BLOCK AND EARTH BAR

BRACKETS FOR HORIZONTAL TERMINAL BLOCK EQUIPPED WITH COPPER EARTH BAR

Kit consisting of two brackets for terminal block equipped with copper earth bar



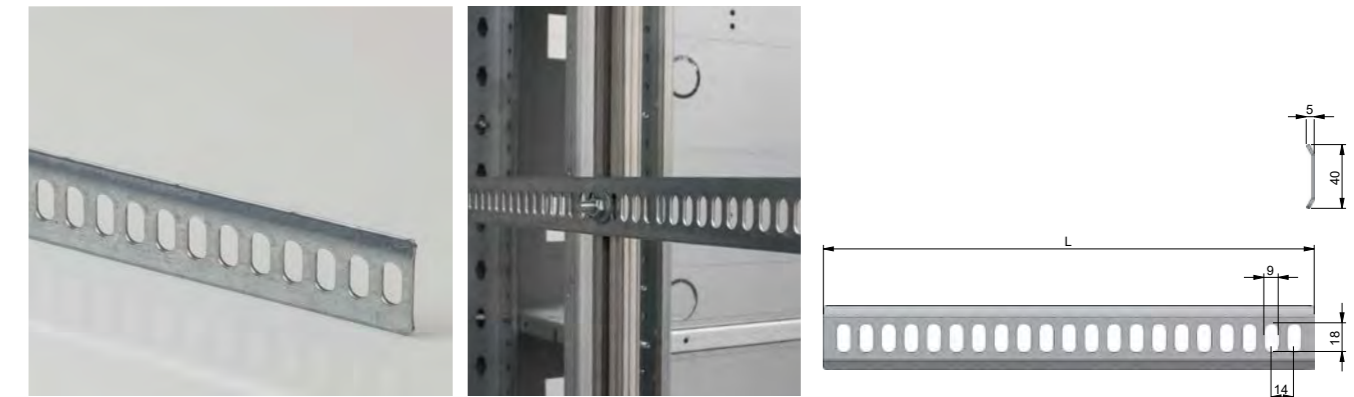
PRODUCT CODE	PACKAGE CONTENT	WEIGHT (KG)	L (MM)	H (MM)	P (MM)	I (MM) POLE-CENTER DISTANCE BETWEEN HOLES (MM)	COPPER BAR CROSS SECTION
A107PE16/C	1	0,94	445	91	78	418	25x4
A107PE20/C	1	1,08	445	91	78	418	30x4
A108PE16/C	1	1,13	640	91	78	594	25x4
A108PE20/C	1	1,1	640	91	78	594	30x4
A109PE16/C	1	1,15	645	91	78	618	25x4
A109PE20/C	1	1,3	645	91	78	618	30x4
A110PE16/C	1	1,36	821	91	78	794	25x4
A110PE20/C	1	1,36	821	91	78	794	30x4

Code	Distance between holes	Length	Height	number of		In (A)
				Inputs	Outputs	
A107PE16/C	25	440	25	2xØ6,2	13xM6	16
A107PE20/C	25	440	30	2xØ6,2	13xM6	20
A108PE16/C	25	640	25	2xØ6,2	21xM6	16
A108PE20/C	25	640	30	2xØ6,2	21xM6	20
A109PE16/C	25	640	25	2xØ6,2	21xM6	16
A109PE20/C	25	640	30	2xØ6,2	21xM6	20
A110PE16/C	25	794	25	2xØ6,2	28xM6	16
A110PE20/C	25	794	30	2xØ6,2	28xM6	20

SLOTTED BRACKET FOR CABLES

SLOTTED BRACKET FOR CABLES L=2000

Slotted bracket (slots 9x18, bracket length= 2000 mm)



PRODUCT CODE	PACKAGE CONTENT	WEIGHT (KG)	L (MM)
2/2023/C	10	15	2000

SLOTTED BRACKET FOR CABLES L=2000 (HEAVY-DUTY APPLICATIONS)

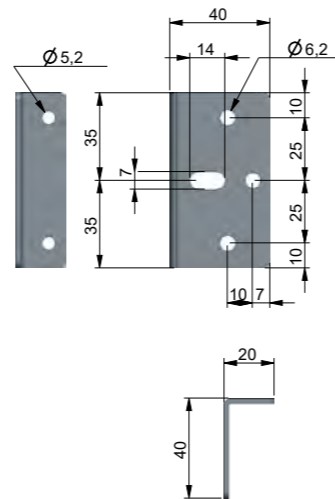
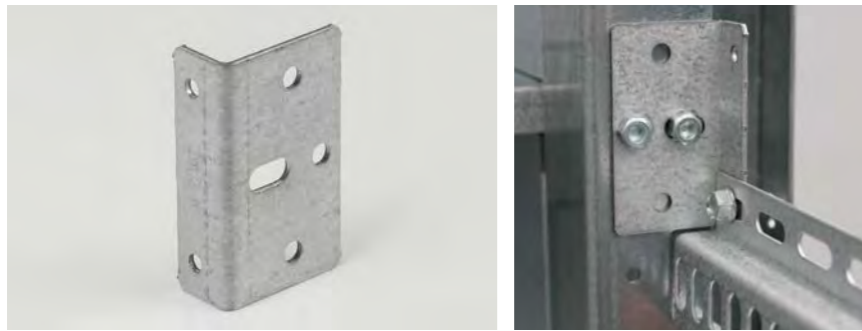
Slotted bracket for heavy-duty applications (slots 9x18, bracket length= 2000 mm)



PRODUCT CODE	PACKAGE CONTENT	WEIGHT (KG)	L (MM)
A20PWC/C	10	15,60	2000

SUPPORT BRACKET

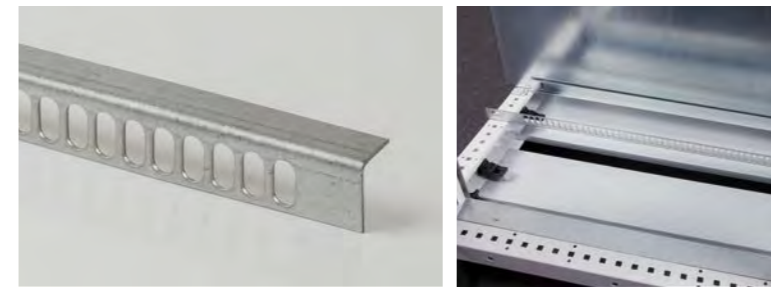
Brackets compatible with items 2/2023 –A20PWC



PRODUCT CODE	PACKAGE CONTENT	WEIGHT (KG)
APWC/C	10	0,6

L- BRACKET L= 2000

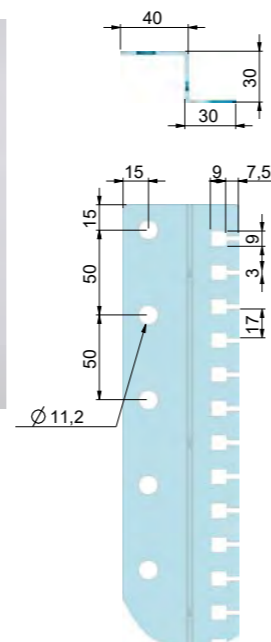
Slotted L-bracket for cables (slots 9x18, bracket length= 2000 mm)



PRODUCT CODE	PACKAGE CONTENT	WEIGHT (KG)	H (MM)
2/2023L/C	10	15	2000

BRACKET FOR "SUPER FLEX" CONDUCTORS L=2000

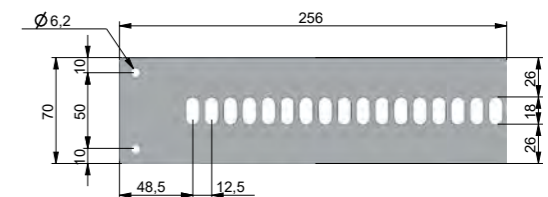
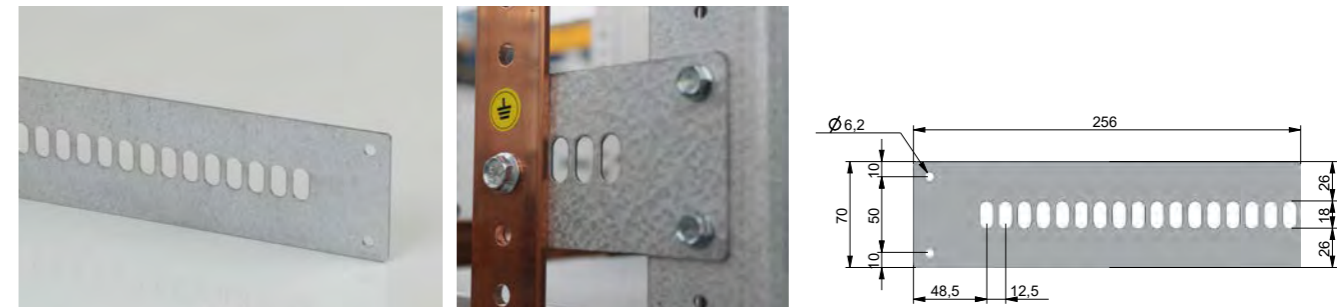
Polycarbonate slotted bracket for flexible braided conductors (slots 9x18, bracket length= 2000 mm)



PRODUCT CODE	PACKAGE CONTENT	WEIGHT (KG)	L (MM)
2/18C	10	1,4	1800
2/20C	10	1,5	2000

BRACKET FOR CABLES DIM. 256X70

Slotted bracket for cables (slots 9x18, bracket dimensions= 256x70 mm)

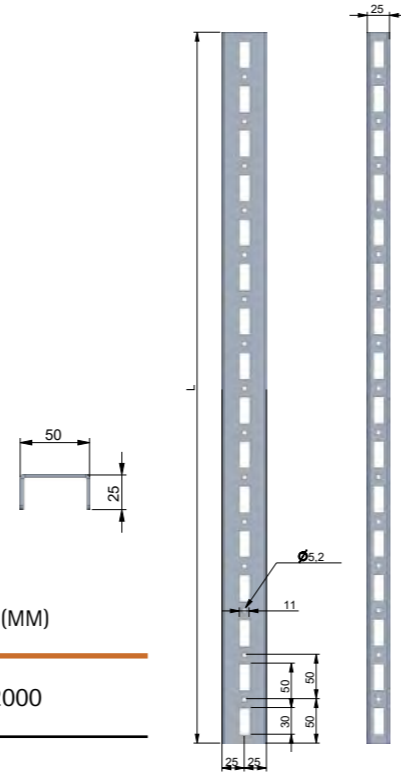


PRODUCT CODE	PACKAGE CONTENT	WEIGHT (KG)	L (MM)
2/23SB/C	10	2,8	256

UNIVERSAL SHEET METAL PROFILES

UNIVERSAL SHEET METAL PROFILES

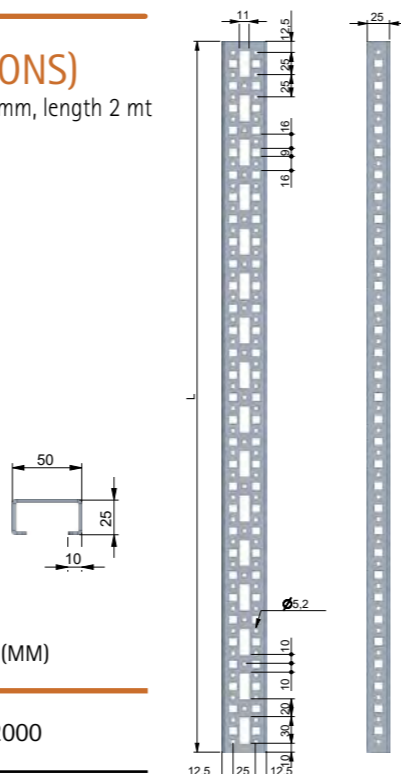
Universal profile 50x25



PRODUCT CODE	PACKAGE CONTENT	WEIGHT (KG)	H (MM)
PU5020/C	10	11	2000

UNIVERSAL PROFILE 50X25X10 (HEAVY-DUTY APPLICATIONS)

Sheet metal universal profile for heavy-duty applications. Dimensions 50x25x10, thickness 25/10 mm, length 2 mt

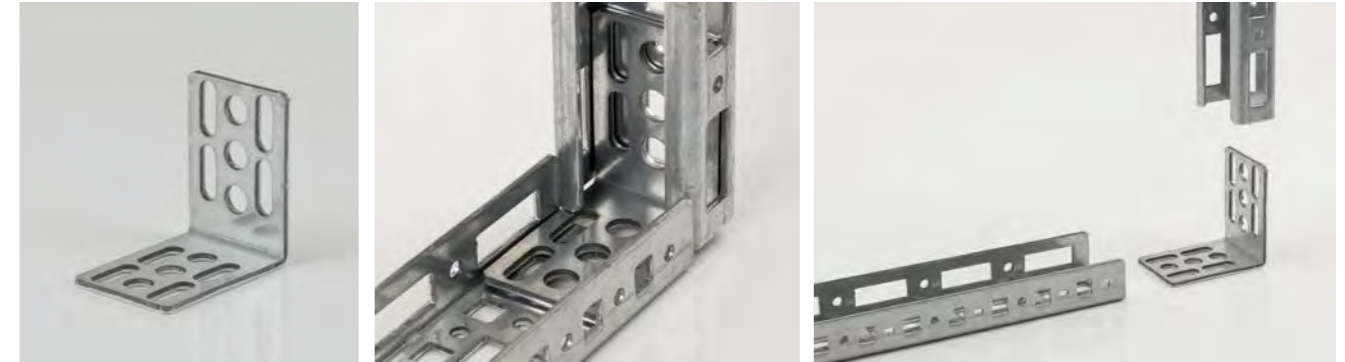


PRODUCT CODE	PACKAGE CONTENT	WEIGHT (KG)	H (MM)
PU5020R/C	10	14	2000

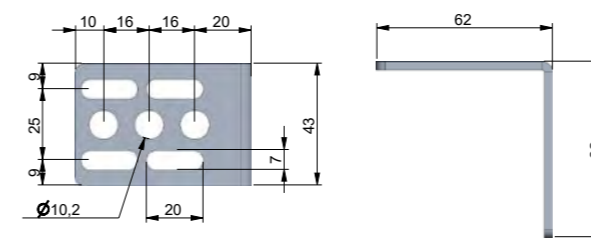
BRACKETS AND ACCESSORIES

BRACKETS FOR UNIVERSAL PROFILES

Universal profiles dimensions 50x50, thickness 25/10 mm



PRODUCT CODE	PACKAGE CONTENT	WEIGHT (KG)
UST/C	20	1,9



THREAD ROLLING SCREWS

Hexagon head thread rolling screws M6x10

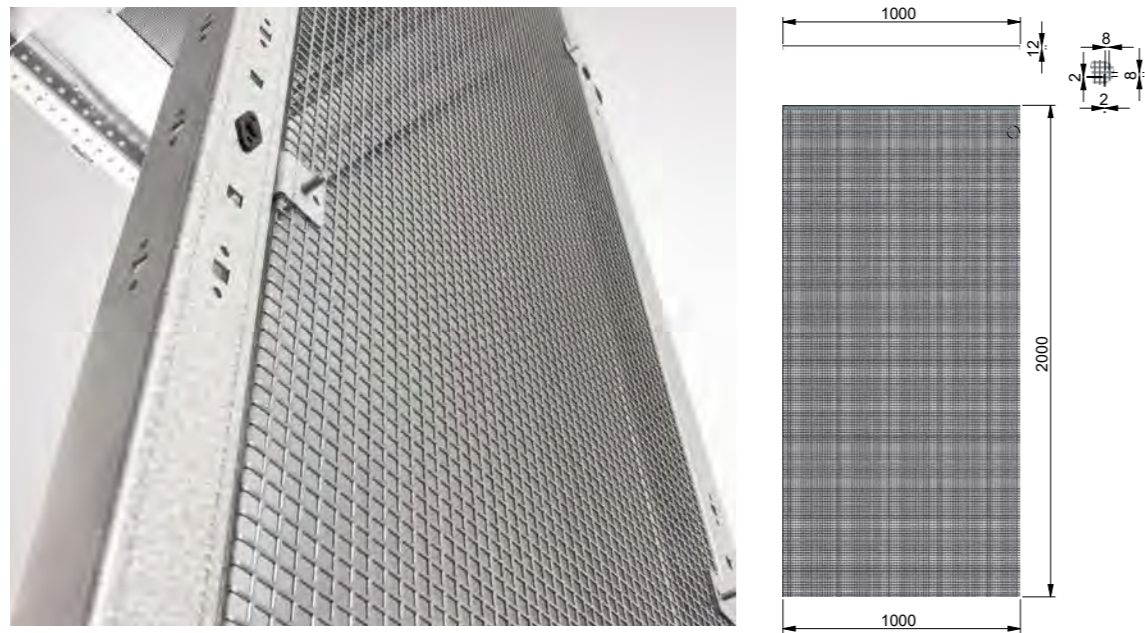


PRODUCT CODE	PACKAGE CONTENT	WEIGHT (KG)
4/C6610/C	100	4

PARTITIONS

PARTITIONS

Zinc-plated metal mesh partition (hole 8 mm), dimensions 2000x1000, thickness 1,5 mm



 PRODUCT CODE	 PACKAGE CONTENT	 WEIGHT (KG)	H x W x THK(mm)
RQ/152010/C	5	13	2000x1000x1,5

GENERAL
CONDITIONS
OF SALE

Alcu[®]
SYSTEM

GENERAL CONDITIONS OF SALE

GENERAL CONDITIONS OF SALE

Pursuant to Article 1341 of the Civil Code

All sales entered into by Al-cu System S.r.l. (hereinafter referred to as Al-cu System) are to be governed exclusively by the following General Conditions of Sale. Any clause or condition drawn up by the Customer shall become null and void if found to be in conflict with the following conditions.

QUOTATIONS

Quotations issued by Al-Cu System, including codes, description, technical features and prices of the goods shall not in any case be considered as a binding sales agreement, but rather a quote.

The conditions set forth in said quote shall lose all validity and effect once elapsed the period of validity mentioned in the same, unless Al-cu System receives an Order from the Customer in the meantime.

ORDERS

The Customer shall send Al-Cu System specific orders containing the codes, the description, the technical specifications and the prices of the Products, the required quantity, the price and the requested delivery terms in writing by e-mail, by fax or other telematic means.

ORDER CONFIRMATIONS

The Contract is entered into between the parties when Al-cu System, upon receipt of the Order, has sent a regular Order Confirmation including codes and description of the Products, prices and delivery terms in writing by e-mail, by fax or other telematic means.

As soon as it receives Al-cu System's Order Confirmation, the Customer shall check all the data therein contained; these are deemed accepted by the Customer unless objected by the same in writing within 24 hours of receipt of the Order Confirmation.

The Customer shall accept in full these General Conditions of Sale, the quantities of the products and their price even if he does not return the Order Confirmation stamped and countersigned to Al-cu System.

Al-cu System declines any liability for mistakes made in the processing of the Order arising from mistakes contained in the Customer's Order or in Al-cu System's Order Confirmation if the mistakes are notified once elapsed the aforementioned period of 24 hours since the reception of the Order Confirmation.

CONCLUSION OF THE CONTRACT

The contract shall be deemed concluded even without Al-cu System written confirmation, once the Products are delivered to the Customer and the latter does not immediately object in writing the delivery, or the Products are collected by the Customer from Al-cu System warehouse.

CANCELLED ORDERS

Possible variations or cancellations of orders must be notified in writing by e-mail, by fax or other telematic means within 24 hours from the sending of the Order and shall be confirmed or not in writing or orally by Al-cu System.

In the event of the Customer's suspending or cancelling an order, without Al-cu System agreement, Al-Cu System reserves the right

to invoice the:

a) the cost, calculated pro-rata, of the materials used and of work accomplished in filling the order thus far. The merchandise in this instance remaining at the Customer's disposal.

b) higher charges arising for Al-cu System from the Customer's failure, in addition to 20% of the difference between the order sum-total and the amount previously referred to at point a).

PRICES

Products prices refer to the ones stated in Al-cu System's the official price lists in force at the time the order is placed by the Customer or to the ones specified in the Order, according to the commercial conditions agreed upon with the Customer (in terms of discounts and net sales prices) and, however, confirmed in writing upon acceptance of the Order by Al-cu System.

The prices are deemed for Products delivered Ex Works (EXW) according to Incoterms (International Commerce Terms). Unless otherwise agreed in writing between the parties, the prices are deemed to be exclusive of VAT and expressed in EUROS. These prices do not include transport costs from Al-cu System's warehouse to the Customer's warehouse. Such costs shall be covered separately by the Customer unless otherwise agreed between the parties.

Al-cu System reserves the right to change, at any time, the prices shown in the price list.

Changes in prices shall be notified to the Customer via e-mail at least 20 days before the entry into force and they shall take effect for all Orders received by Al-cu System starting from the date of entry into force of such changes.

TERMS OF DELIVERY

The terms of delivery stated on the Order Confirmation are indicative, without prejudice to Al-cu system undertaking to observe the same as far as possible; terms of delivery do not include transit times.

In any event, given the indicative nature of the terms of delivery, Al-cu System shall in no circumstances be held responsible for any direct or indirect damage to the Customer resulting from delays in delivery, unless a specific delivery date was ensured in writing by Al-Cu System.

Al-Cu System is entitled to postpone the delivery deadline or suspend the delivery of the contractual material, at its unchallengeable discretion:

a) should the Customer fail to observe the conditions of payment established or be late in fulfilling its contractual obligations (such as, by way of a non-limiting example, the sending of advances, granting of guarantees, issue and presentation of credit instruments and other financial fulfillments) including those relating to previous relations with Al-Cu System.

b) In cases of force majeure or events such as, by way of a non-limiting example: lockouts, full or partial strikes, abstention from labour, epidemic, war, fire, flood, processing incidents and stoppages and/or delays in transportation, blackout or inadequacy of power supplies and any other event that cannot be attributed to Al-Cu System or its Suppliers;

c) failure on the part of the Customer to provide Al-cu System, in good time, with any information necessary for the supply and/or

materials it has undertaken to provide

d) when amendments are made to the Order, although accepted by Al-cu System

e) in the event of difficulties in procurement of raw materials

f) in case of delays ascribed to the shipper

In cases in which suspension of supplies or extension in delivery deadlines are due to causes that can be, in any way, to the Customer (such as, by way of a non-limiting example, those cases set forth in the previous paragraph under points a, c and d), Al-Cu System shall be entitled to claim compensation from the Buyer for the damages incurred.

The occurrence of any of the events listed, in any case, not attributable to the fault of Al-cu System shall not entitle the Customer to claim for any compensation for damage

the Customer shall, in any case accept to receive the goods ordered after the agreed deadline with no right of claiming for damages or compensation whenever the delay is due to an event of force majeure.

DELIVERY / SHIPMENT

Delivery is understood as ex-works (EXW) at Al-Cu System's warehouse.

Specifically, delivery may be said to have taken place, to all intents and purposes, with the sending of notice (which may simply take the form of a delivery note) either to the effect that merchandise is available for testing (where applicable) or for collection by the Customer, or to the effect that it has been handed over to the freight company.

Once the Customer is informed the goods are ready for delivery, the Customer must swiftly indicate the name of the freight forwarder, when appointed by the same, which will collect the goods. The Customer must also take out transport insurance.

In case of the late collection of merchandise made ready by Al-Cu System for any reason whatsoever not attributable to lack of goodwill on the part of Al-Cu System, once the notification was given that the goods were ready for collection, they shall be considered delivered, with the following consequences:

a) Al-cu System shall be entitled to issue the relative invoice and claim fulfillment of the terms of payment established

b) Al-Cu System may package, transport or store the material at the Customer's expense, without prejudice to its right to claim for any damage suffered, including the costs for warehousing, keeping and storage of the goods.

In the event delivery carriage paid is agreed upon, goods will be delivered by a shipper commissioned by Al-cu System. In so doing, Al-Cu system shall consider itself expressly authorised by the Customer. Under no circumstance Al-cu System shall be held liable for the choice of the Shipper.

Any additional services required by the Customer such as insurance, handling, special delivery services and other charges related to the forwarding of the goods (duties, customs etc) shall be at the Customer's expense.

PAYMENTS

Payments must be remitted to the Al-Cu System's place of business,

GENERAL CONDITIONS OF SALE

and made in accordance with the agreed conditions. Any remittance made at location or in manner differing therefore, may not be deemed valid and shall consequently not have a redeeming effect for the Customer.

In the event of late payment at the agreed deadlines, Al-Cu System shall be entitled to charge interest on arrears pursuant to Legislative Decree no. 231 of 9 October 2002.

Failure to pay or a payment delay exceeding 30 days shall entitle Al-cu System to suspend the delivery of the Products and terminate any contract entered into.

The suspension of the delivery of the Products or the termination of the contract shall not entitle the Customer to demand any compensation for damages.

In the event deferred payments failure to pay even a single instalment will lead to a forfeiture of the benefit of the deferred payment pursuant to article 1186 of the Civil Code. Failure to meet the agreed payment terms shall entitle Al-cu System to demand the customer the payment of interests for late payment pursuant to Legislative Decree no. 231 of 9 October 2002, in addition to any bank charges and commissions.

Any claims or disputes give no right to the Customer to suspend or delay the payment of invoices.

The issue of bills of exchange, promissory notes, drafts, cheques or any other agreed form of payment or guarantee shall not cause any amendment to the contract or any of the contract clauses (specifically, it shall not change the place of jurisdiction in the case of a dispute) and shall be exclusively considered as aimed at facilitating the definition of the relationship, without having any novation effect.

COMPLAINTS

Any complaints with regard to the products delivered to be valid must be detailed and notified in writing to Al-cu System within and not later than eight (8) days from the reception of the goods.

In any case the recipient shall write on the delivery note "DAMAGED" upon the reception of the goods if the damage concerns the packaging and the number of packages.

If the complaints has not been notified according to the above forms and terms, the delivered Products shall be deemed to be compliant with those ordered by the Customer.

Any difference in the Products delivered to the Customer in terms of the type and quantity indicated in the Order must be notified to Al-cu System in writing within 8 days from the date of delivery. Should no reports be received within such term, the Products delivered shall be deemed to comply with the Customer Order.

RETURNED PRODUCTS

The return of any Product must be agreed in advance in writing by Al-cu System. Authorized returns shall be sent as "Delivered Duty Paid" to Al-cu System's warehouse; returned products shall be undamaged, packed in their original packaging and accompanied by a regular Shipping Document and all purchase details. Returned products will be refunded at the purchase price reduced by 10% for administrative burdens.

GENERAL CONDITIONS OF SALE

WARRANTY

Al-cu System guarantees that its products and their components are free from manufacturing defects for a period of 12 months from the date of the delivery of the goods.

The warranty is limited to repair or replacement of parts, at the Al-cu System unchallengeable discretion and forwarded carriage-paid to an address specified by the Vendor, which show recognizable defects due to defective materials or manufacturing.

The warranty does not cover parts that are subject to natural wear or deterioration.

Any other compensation is excluded nor can any direct and/or indirect damage (including liability towards third parties) of whatsoever kind and nature be claimed even in respect of temporary lack of use of the goods purchased. Examination of defects and of their causes shall always be carried out Al-Cu System's factories, by Al-Cu System.

Expenses relating to operations (such as, for example, labour, dismantling, reassembly, transport, board and lodgings) by Al-Cu System's personnel to outside locations for the purpose, are always at the Customer's charge, even in case the right to repairs under warranty has been acknowledged. Al-Cu System will be chargeable only for the costs of replaced parts and the time needed to replace them.

The warranty ceases to be effective for products stored, installed, used or maintained in a negligent or improper manner, i.e. not in accordance to the Vendor's instructions, or modified and/or repaired in any way whatsoever, or entirely or partially disassembled

The warranty also excludes damages and/or defects and/or abnormalities deriving from external events or components (such as, by way of a non-limiting example: atmospheric discharges, lightning, loads oversizing or improper mounting of the loads, etc.).

The warranty mentioned in article 10 replaces and excludes any other form of warranty, even legal.

The Customer's entitlement to the warranty mentioned in this article shall be null and void in the case of non-performance of even just one of the contractual obligations assumed, specifically as regards the conditions of payment.

Any repairs under warranty shall be required by the Customer to Al-Cu System in writing stating the article number and the description of the article, references of the Order and of our Order Confirmation, the defect complained and any photographic or video evidence.

For replaced or repaired parts, and solely for these parts, the warranty period starts anew and expires the same day of the end of the guarantee period of the machine or of the electrical equipment. Once the period of 12 months from the delivery of the Products has expired, the guarantee shall expire even if, for any reason whatsoever, the Products have not been used yet. Once the Warranty Period is expired, complaints shall not be admissible not even for hidden defects.

Al-cu System shall not be held liable for changes and/or improvements made by Producers to the Products it sells. Descriptions as well as images and technical data contained in Al-cu System's catalogues, brochures etc. are purely indicative and not binding.

LIABILITY

Should Al-Cu System be liable for faulty products, the compensation shall not in any case exceed the purchase price of the same faulty products.

Al-Cu System shall not, in any case, be liable for indirect damage such as, for example, loss of clientele, turnover, production, profit, image or any damage to the Buyer for any action taken against it by third parties.

Al-cu System shall not in any case be liable when product defects are due, by way of a non-limiting example, to:

- a) improper, incorrect or excessive use;
- b) improper, incorrect or inadequate maintenance
- c) product use that is unusual or contrary to the Al-Cu System's warnings or, in any case, different to its intended use;
- d) use of product with inappropriate components;
- e) improper conservation

EXPRESS TERMINATION CLAUSE

Al-cu System shall be entitled to terminate any individual Sale pursuant to article 1456 of the Italian Civil Code, at any time by written notice to the Customer, in any case of failure or defective fulfilment or reduction in the guarantee of correct performance, of the obligations undertaken with the contract.

APPLICABLE LAW AND PLACE OF JURISDICTION

Any contract entered into between Al-cu System and the Customer is governed by Italian law and the Court of Vicenza shall have the sole jurisdiction on any dispute concerning the validity, interpretation, execution and termination of the Contract.

Alcu[®]
SYSTEM

WWW.ALCUSYSTEM.COM



AL-CU SYSTEM SRL
VIA L. EINAUDI, 90
36040 BRENDOLA (VICENZA)
TEL. + 39 0444 1787312

INFO@ALCUSYSTEM.COM
WWW.ALCUSYSTEM.COM